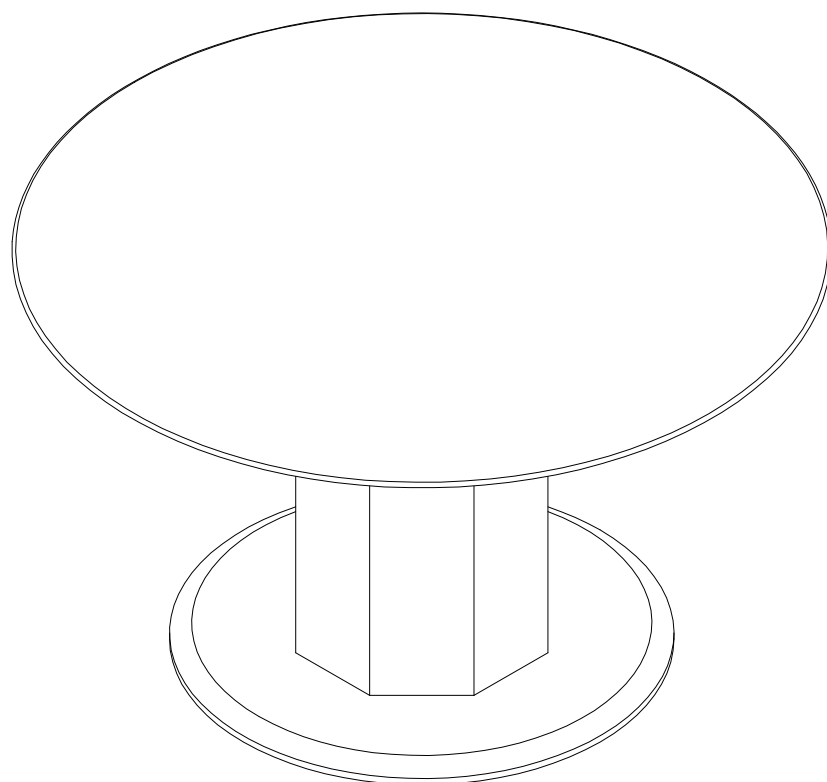


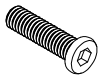
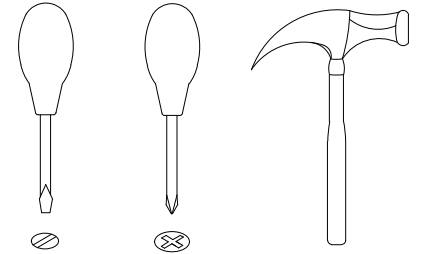
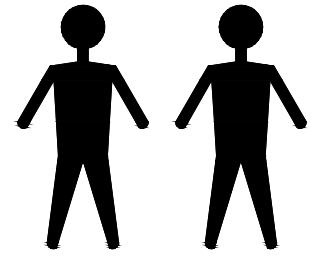
MOD
interiors

CP1806D16

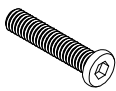


EAC

CP1806D16



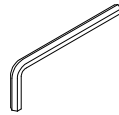
A x10
Spec: 5/16*L30



B x4
Spec: 5/16*L45



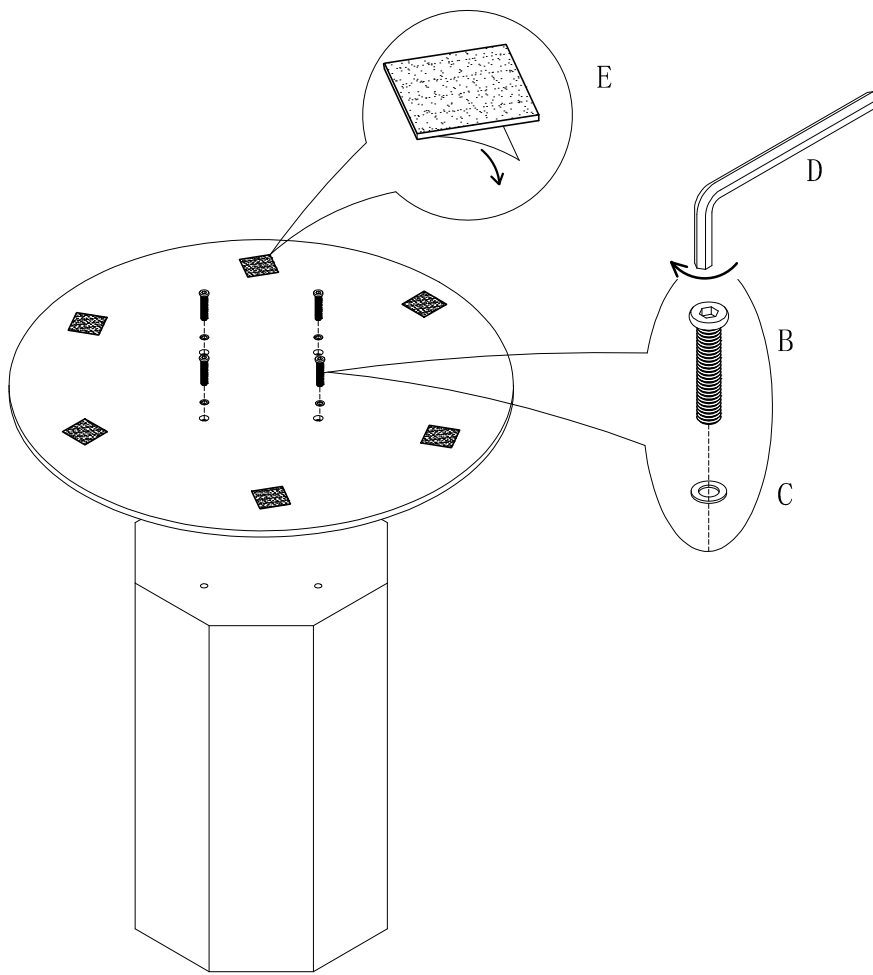
C x14
Spec: $\varnothing 8.2 * \varnothing 14$



D x1
Spec: 5#

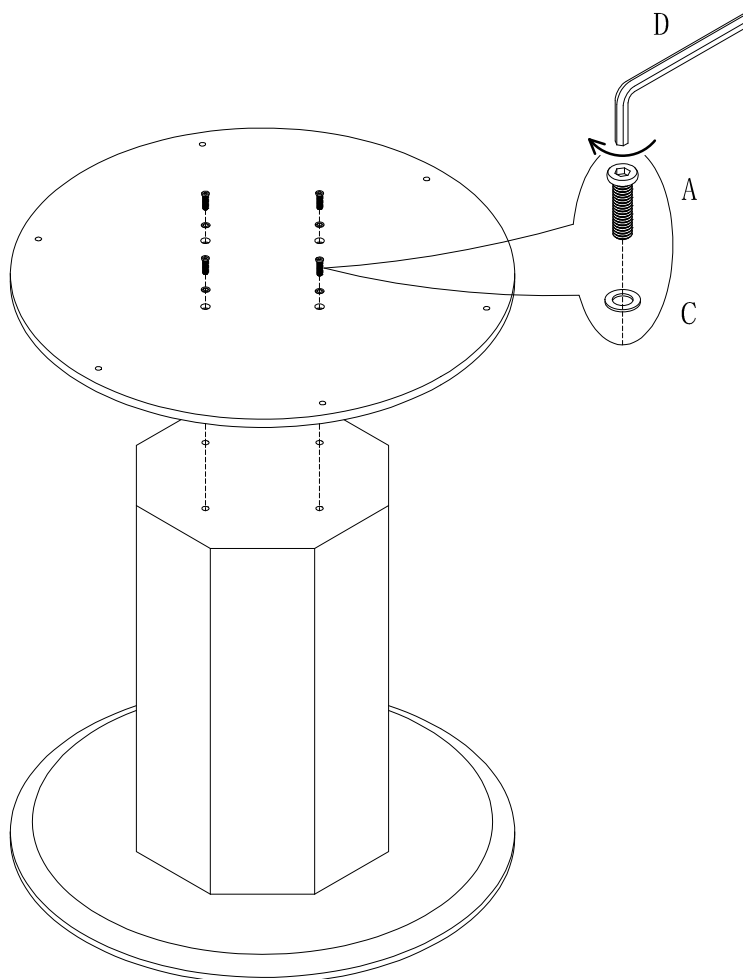


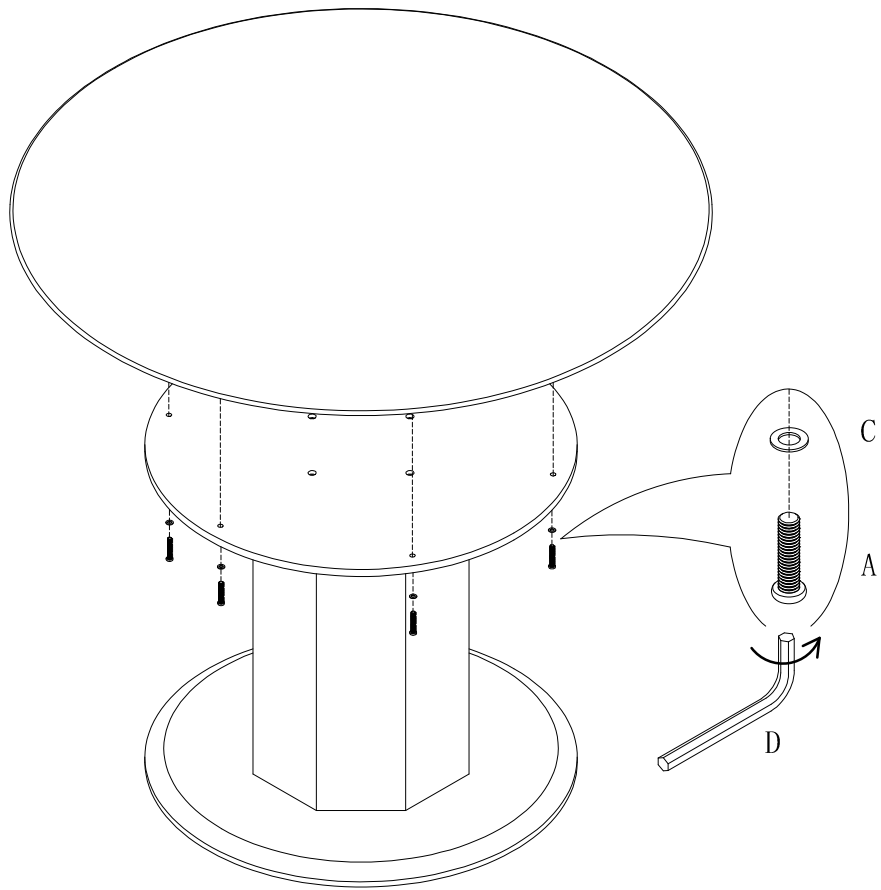
E x6
Spec: 50*50



1

2





3
