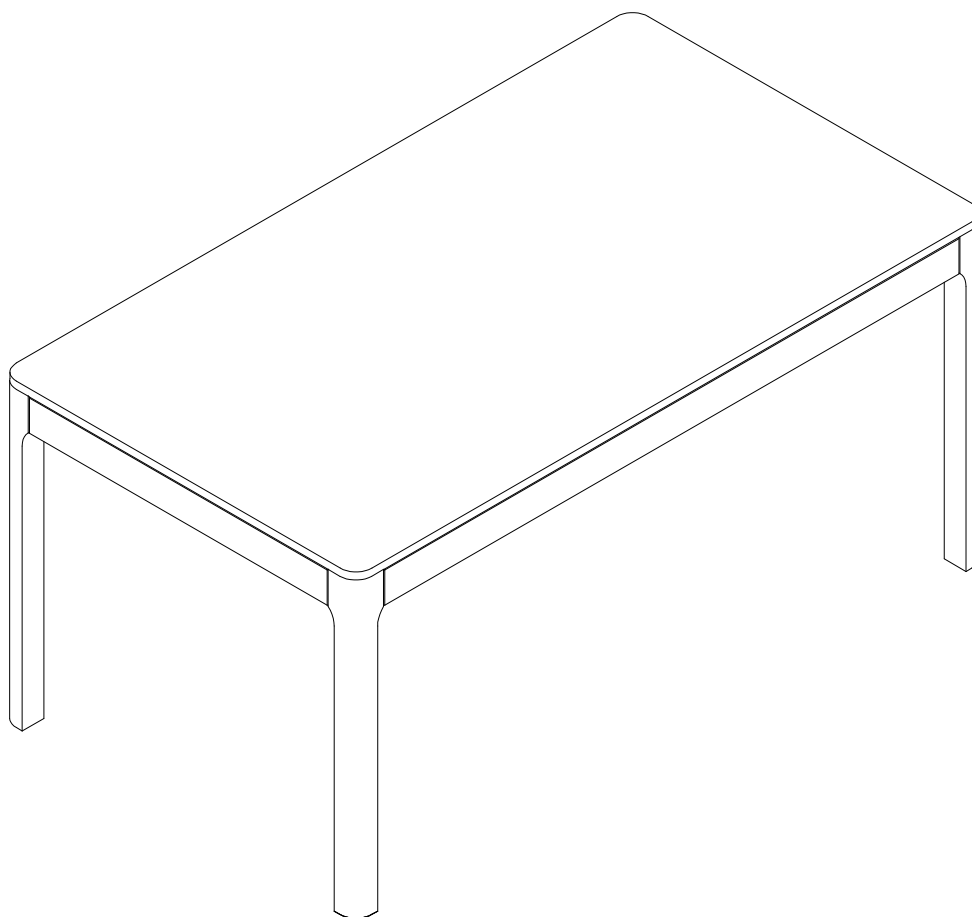


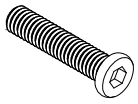
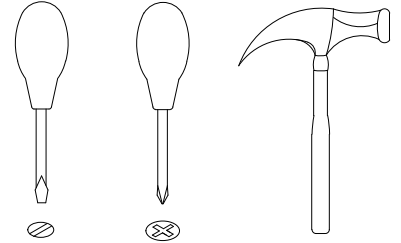
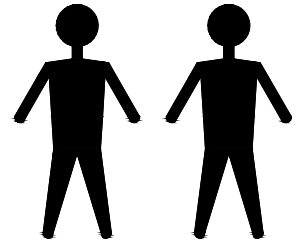
MOD
interiors

CP1806D4



EAC

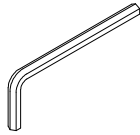
CP1806D4



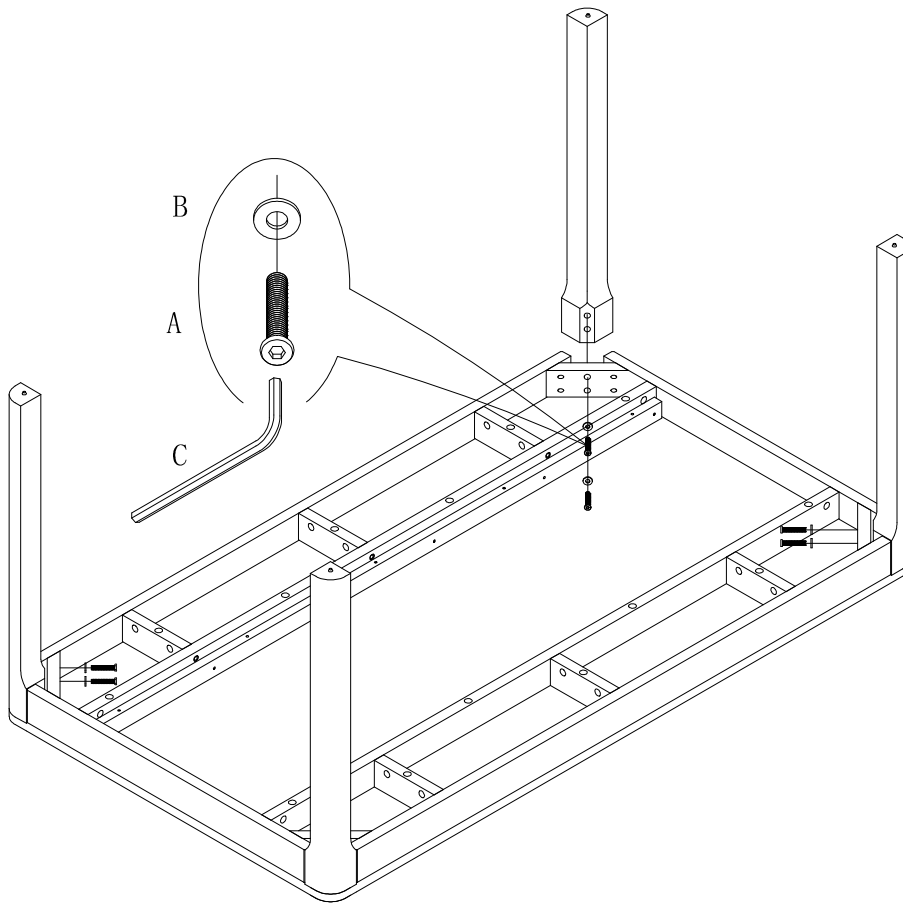
A x8
Spec: 5/16*60



B x8
Spec: $\phi 8 * \phi 18$



C x1
Spec: 5#



1
