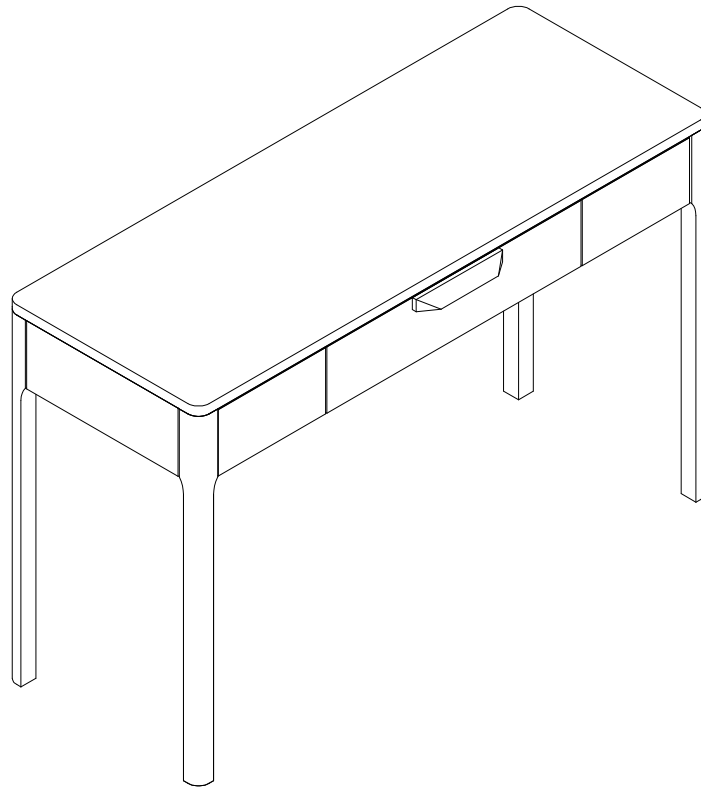
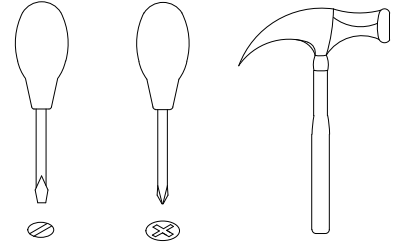
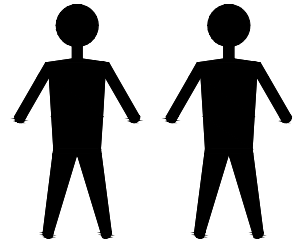




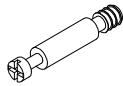
# CP1806DK2-12045



# # CP1806DK2-12045



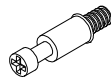
A x28  
Spec:  $\phi 8 \times 30$



B x20  
Spec:  $\phi 7 \times L30$



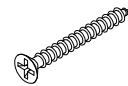
C x20  
Spec:  $\phi 15 \times H12$



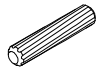
D x10  
Spec:  $\phi 6 \times L28$



E x10  
Spec:  $\phi 12 \times H9$



F x4  
Spec:  $\phi 3.5 \times L35$



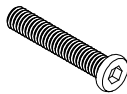
G x8  
Spec:  $\phi 6 \times 30$



H x6  
Spec:  $\phi 6 \times L8$



I x1  
Spec: L400



J x10  
Spec:  $5/16 \times 35$



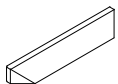
K x10  
Spec:  $\phi 8 \times \phi 14$



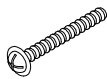
L x1  
Spec: 5#



M x30  
Spec:



N x1  
Spec:



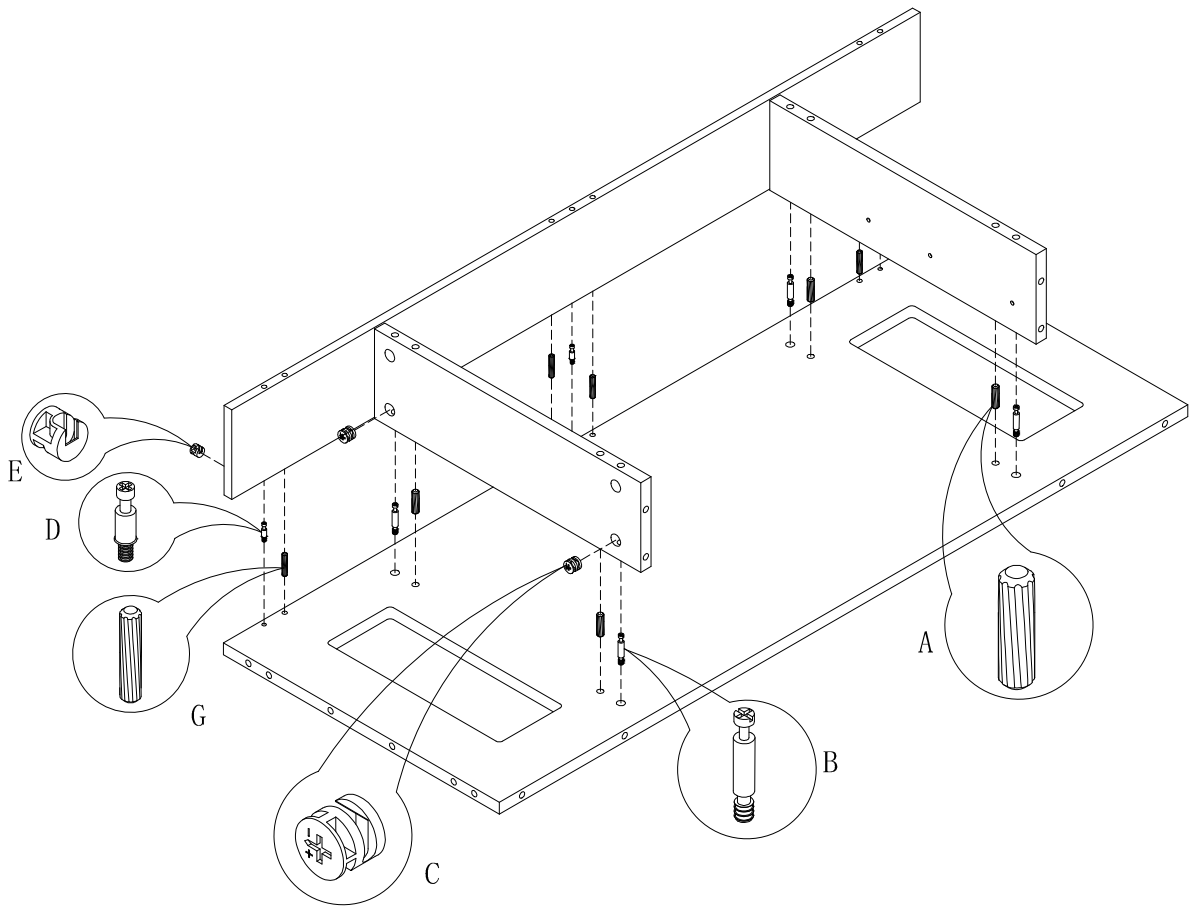
O x2  
Spec: M4 \* L21



P x10  
Spec:

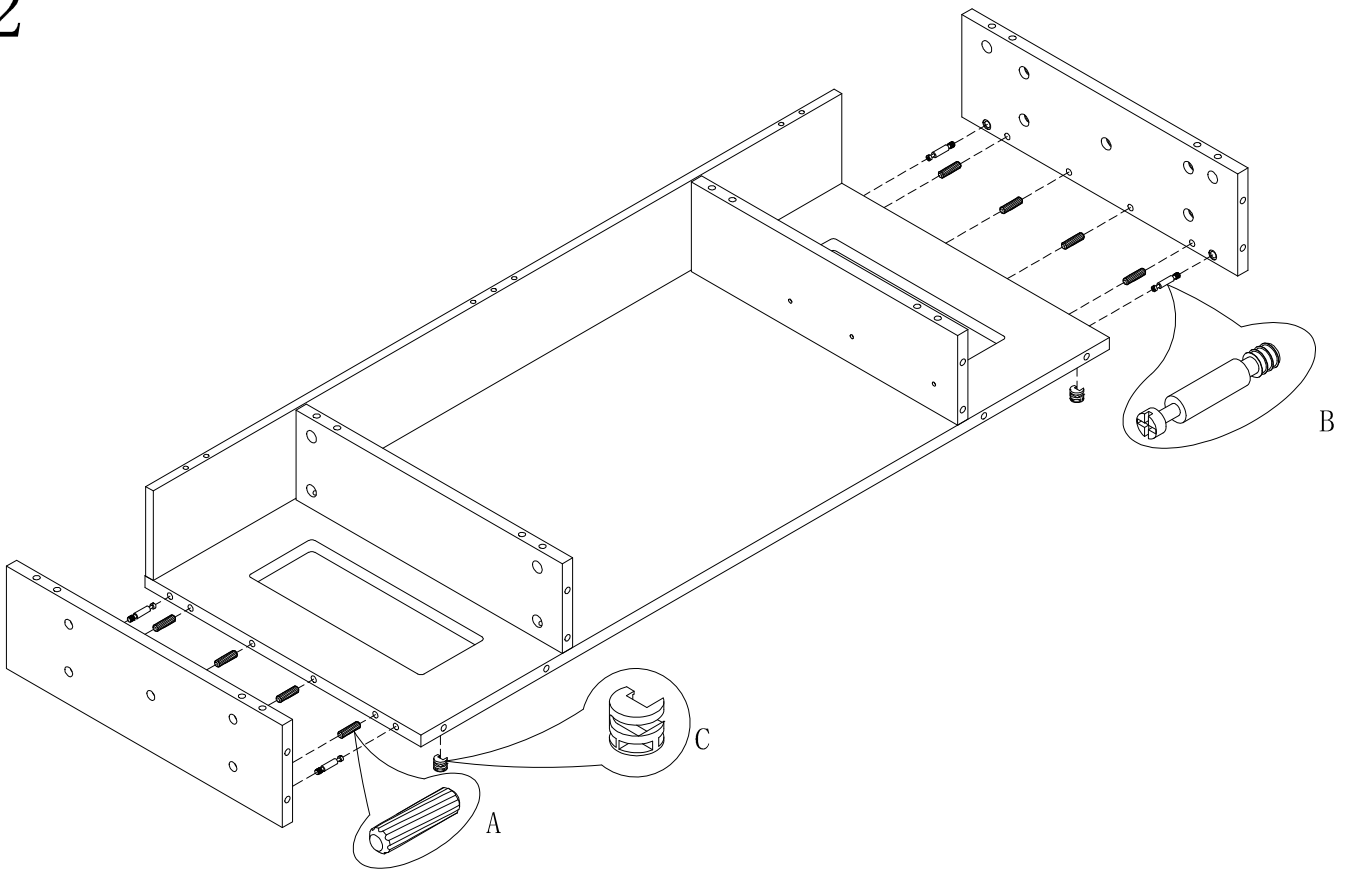


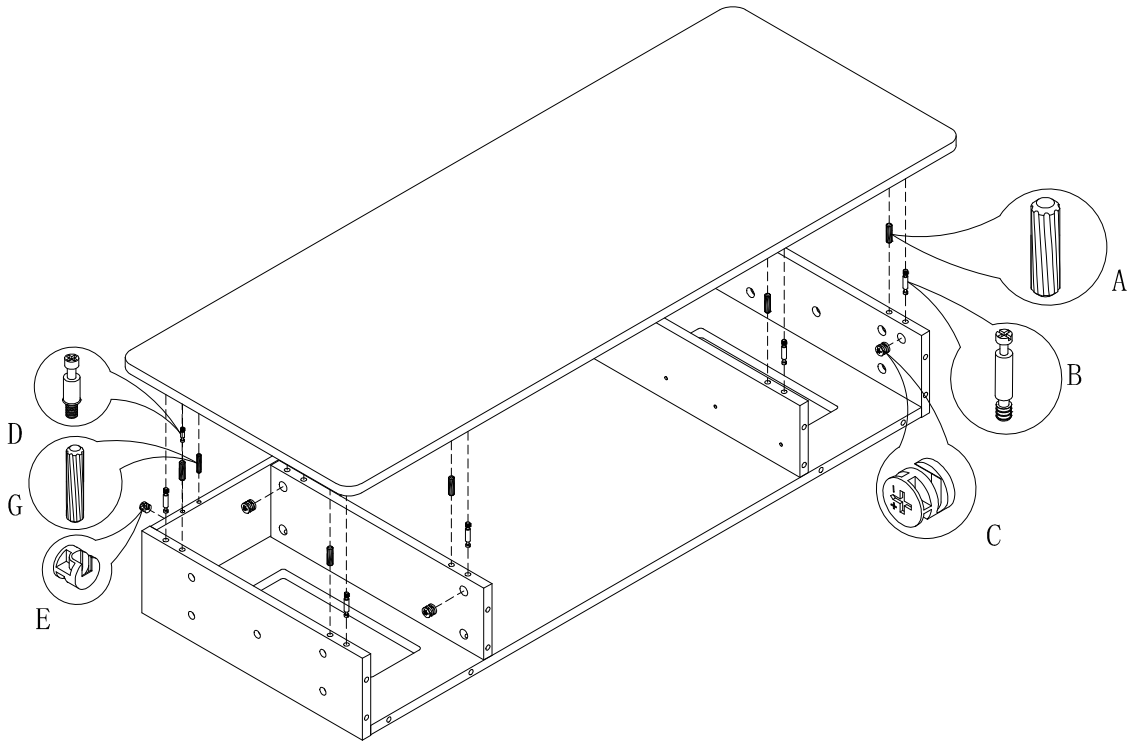
AAA x4  
Spec:  $\phi 3.8 \times L12$



1

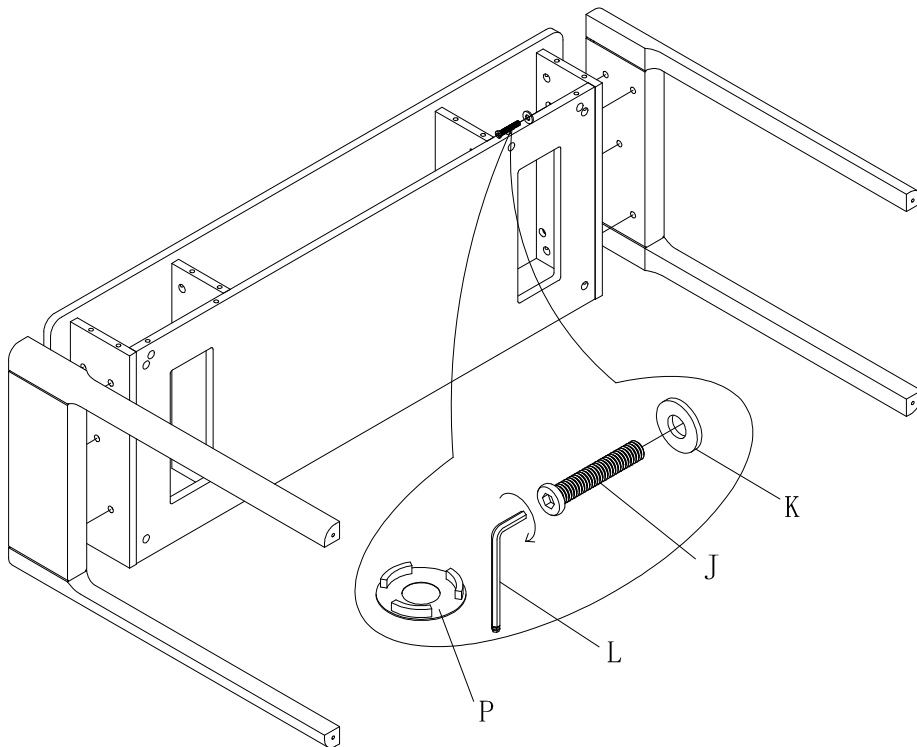
2

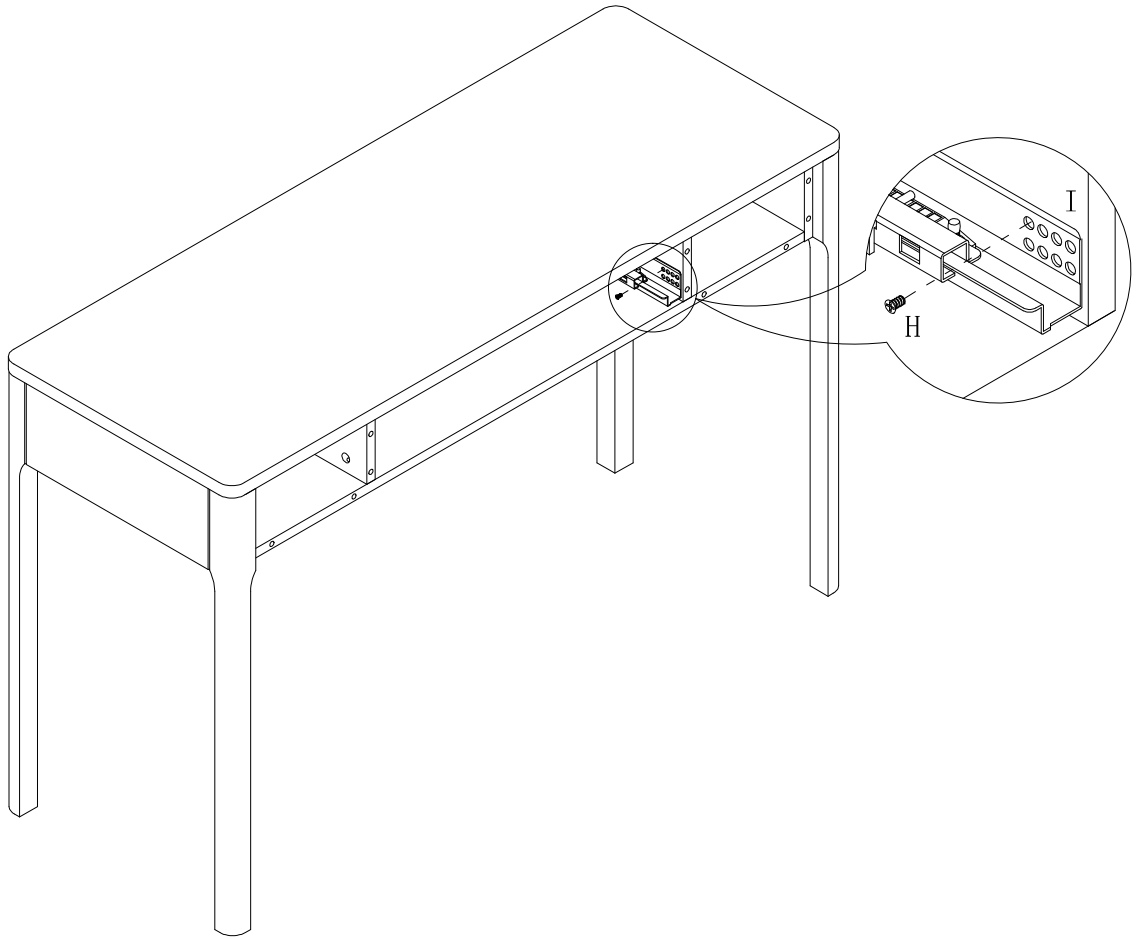




3

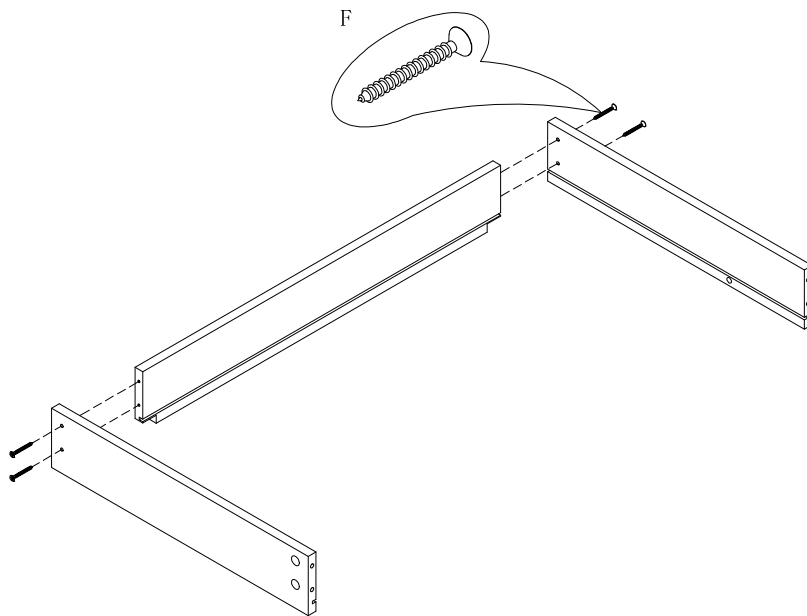
4

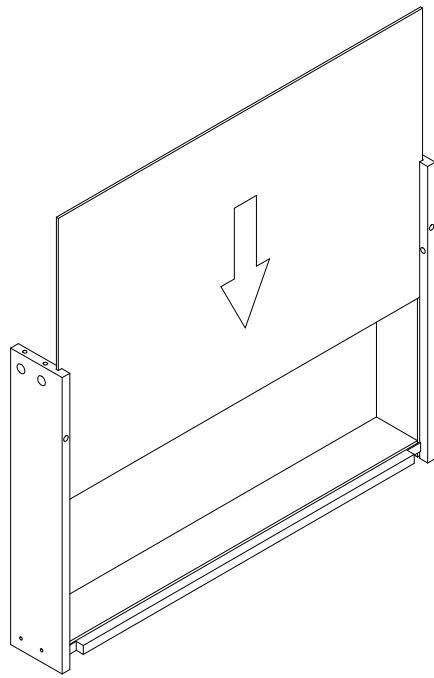




5

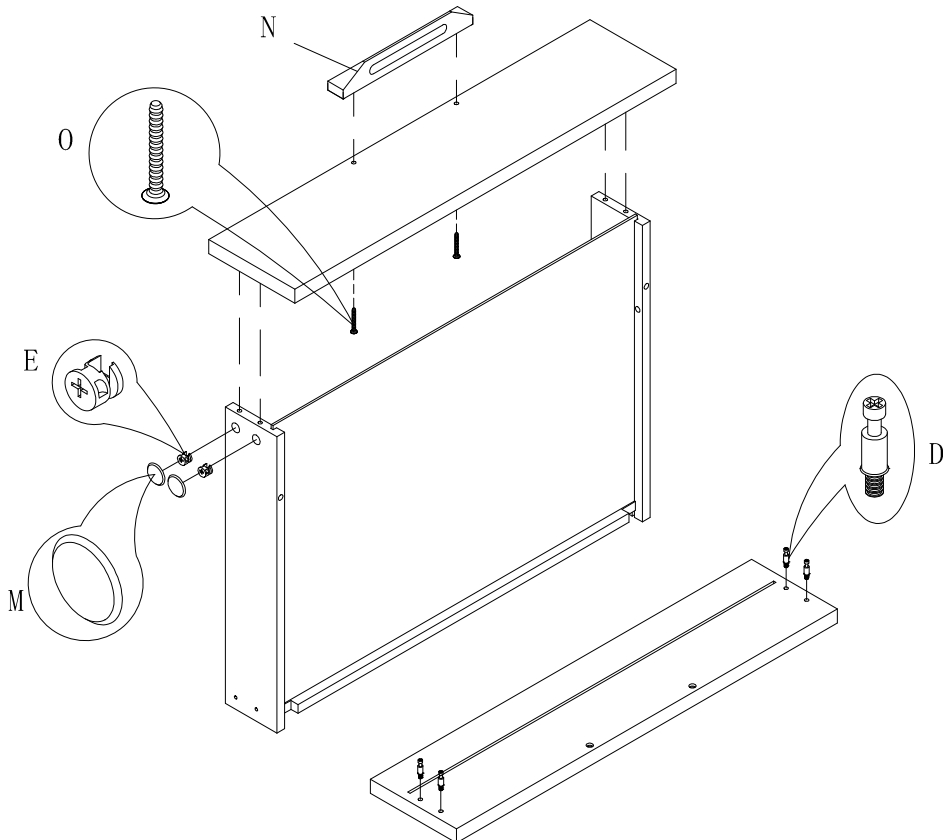
6

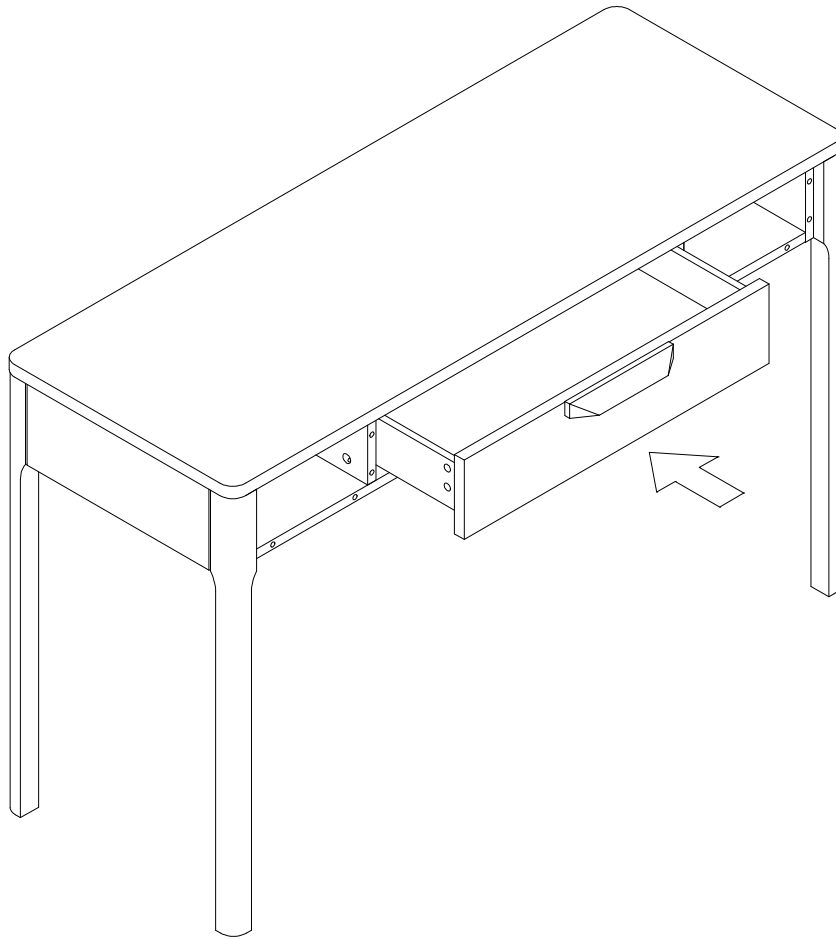




7

8





9

10

