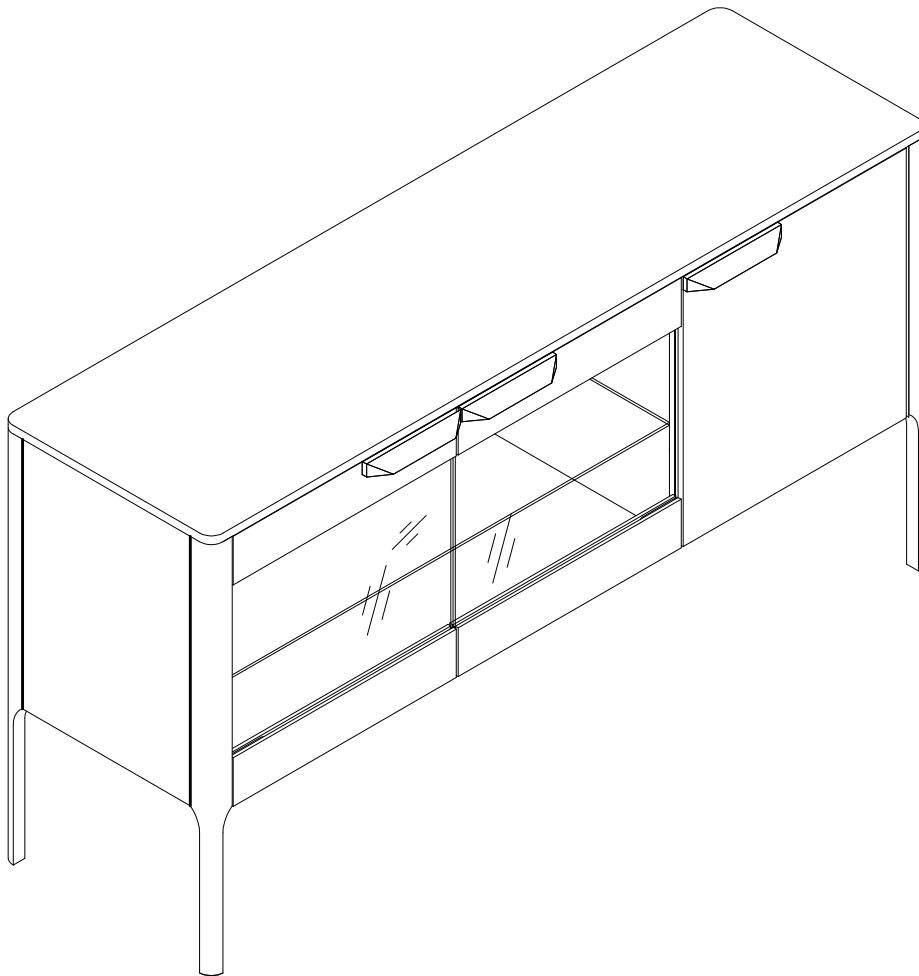
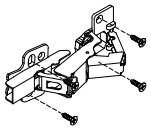
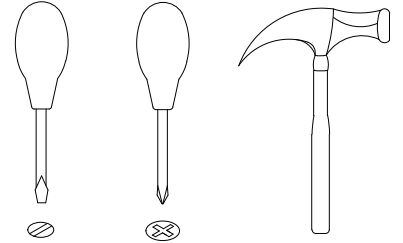
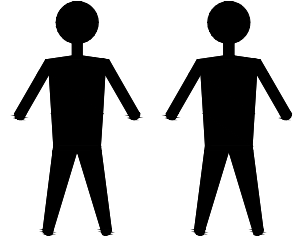




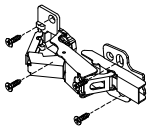
CP1806E10-HA



CP1806E10-HA



A x2
Spec:088#



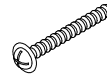
B x2
Spec:078#



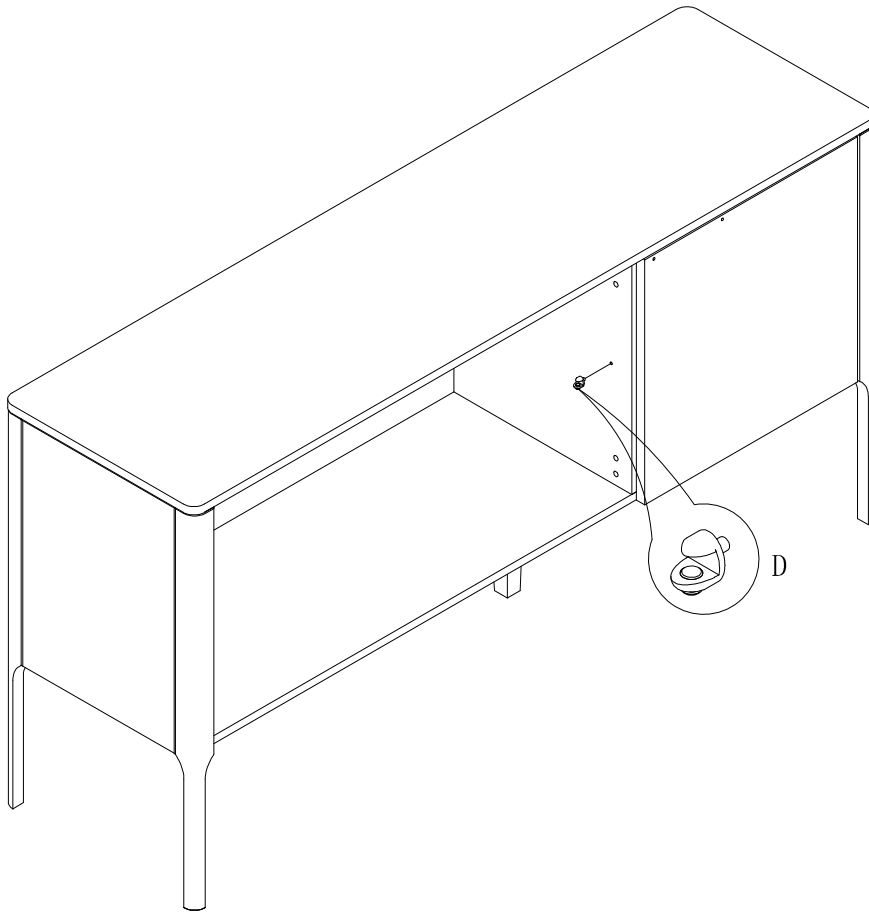
C x8
Spec:3.8*L16



D x 4
Spec:Ø60*25

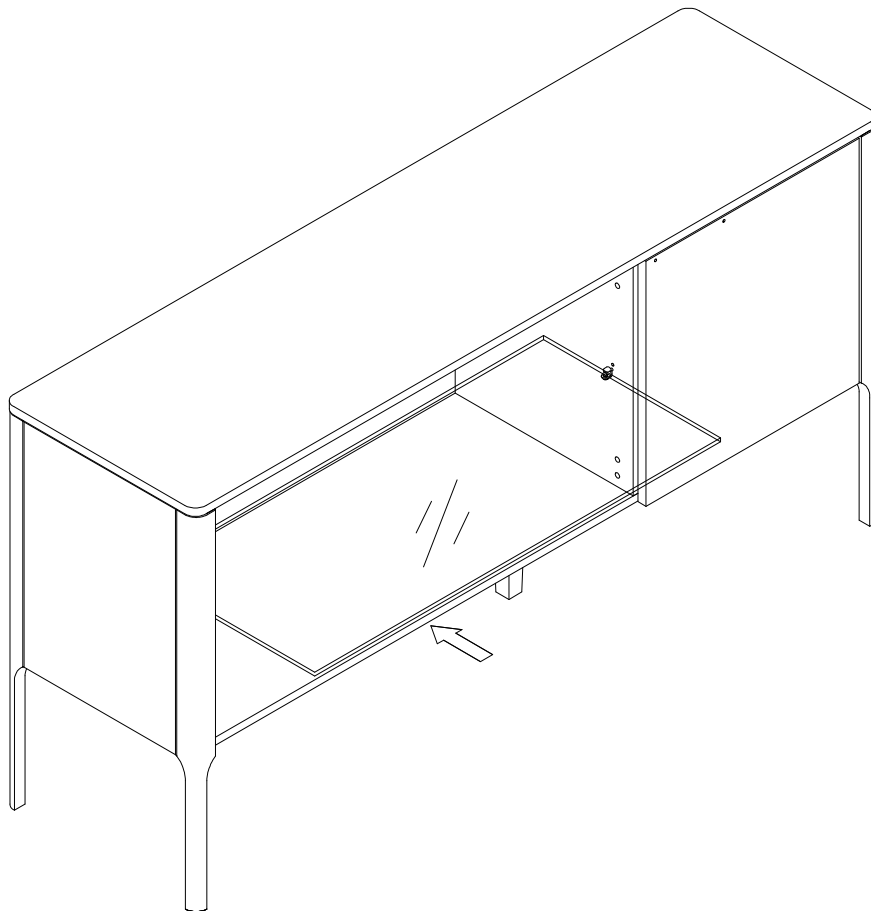


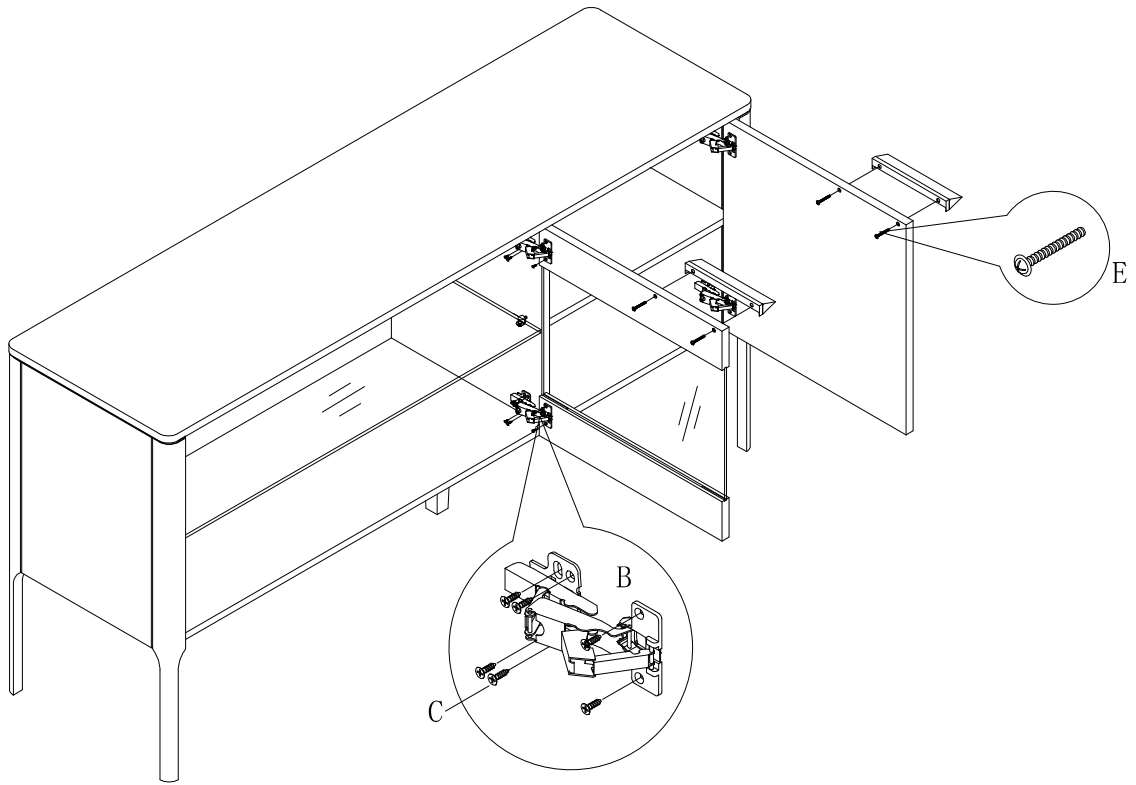
E x6
Spec:M4*L21



1

2





3

4

