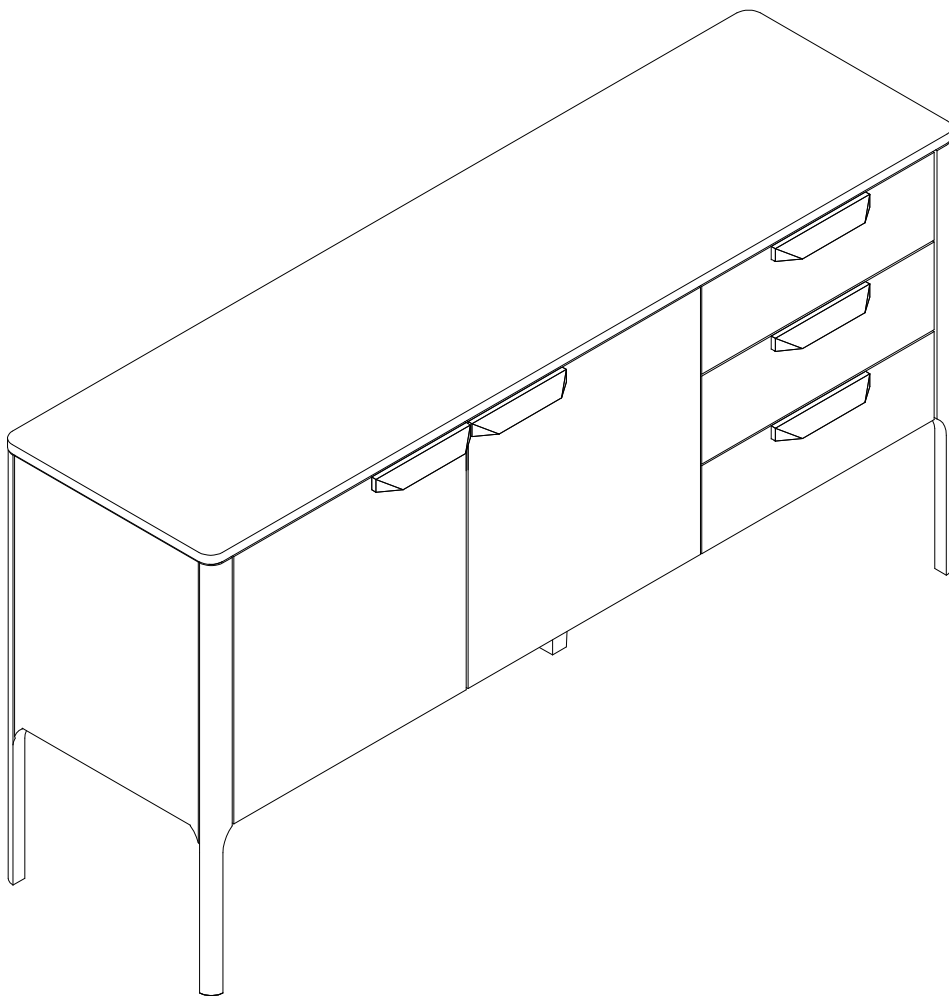
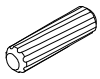
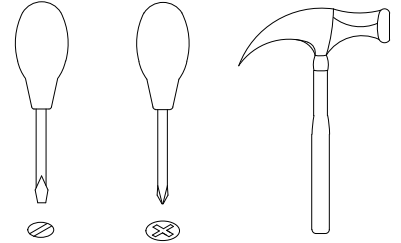
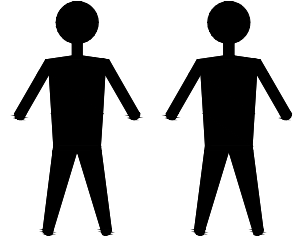




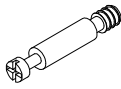
CP1806E13



CP1806E13



A x20
Spec: $\phi 8 \times 30$



B x16
Spec: $\phi 7 \times L30$



C x16
Spec: $\phi 15 \times H12$



D x12
Spec: $\phi 6 \times L28$



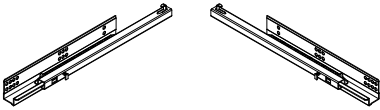
E x12
Spec: $\phi 12 \times H9$



F x28
Spec:



G x12
Spec: $\phi 3.5 \times L35$



H x3
Spec: L400



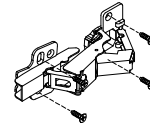
I x18
Spec: $\phi 6 \times L8$



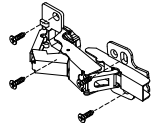
J x12
Spec: $\phi 3.5 \times L16$



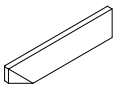
K x12
Spec: H13



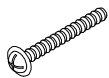
L x2
Spec: 088#



M x2
Spec: 078#



N x5
Spec:



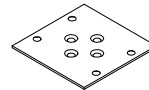
O x10
Spec: M4 \times L21



P x4
Spec: $\phi 4 \times L16$



Q x4
Spec: $\phi 3.5 \times L18$



R x1
Spec: 78 \times 78 \times H1.8



S x8
Spec: 3.8 \times L16



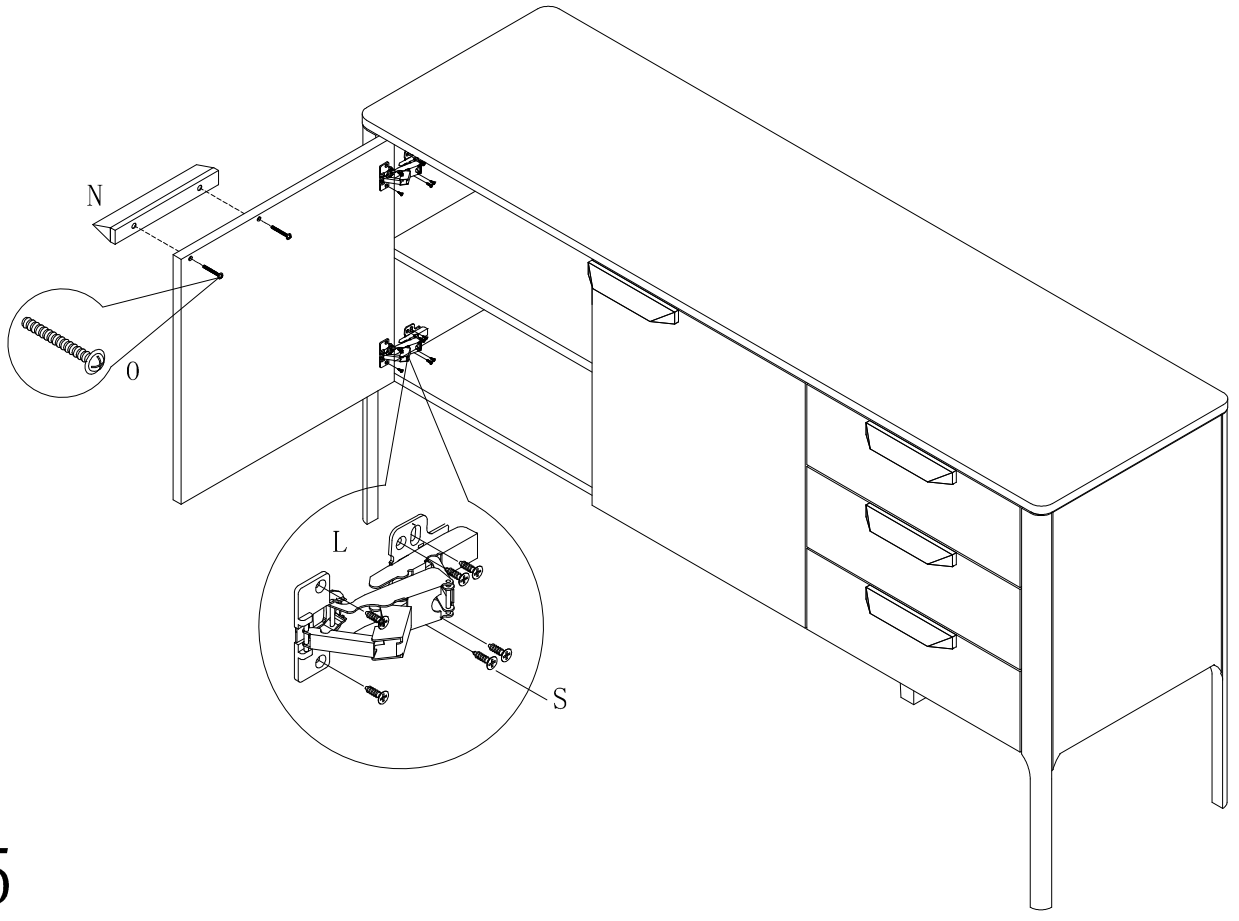
T x4
Spec: $\phi 5 \times L19$



U x4
Spec: $\phi 20 \times H12$

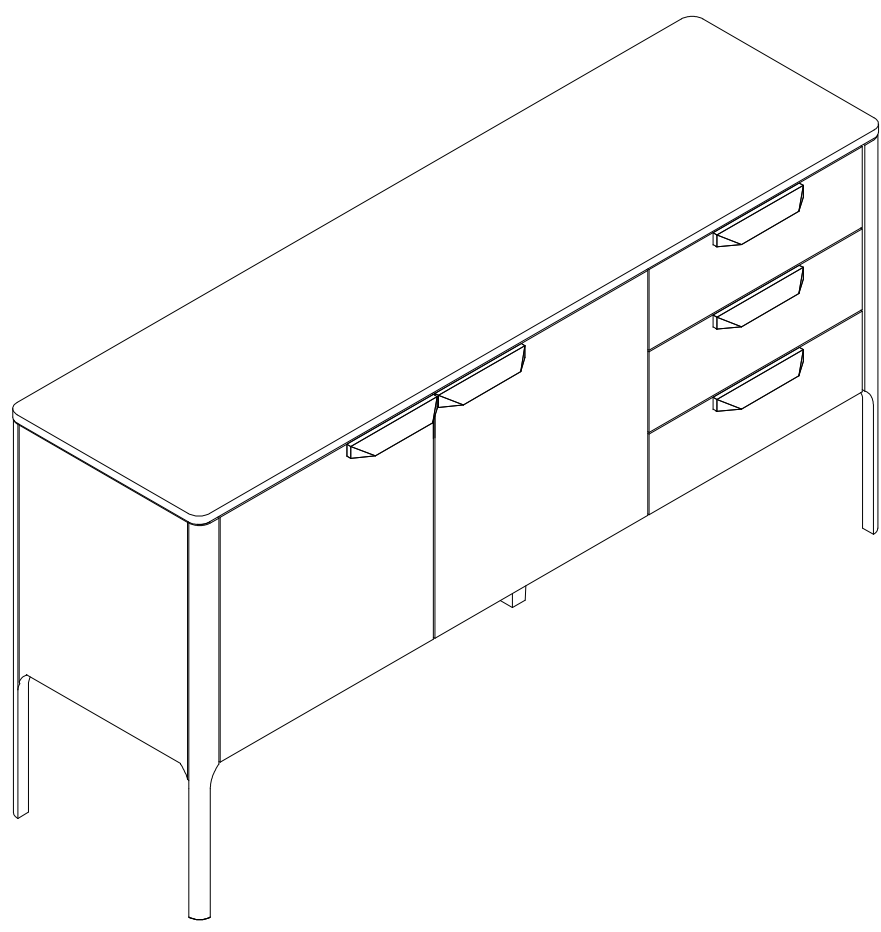


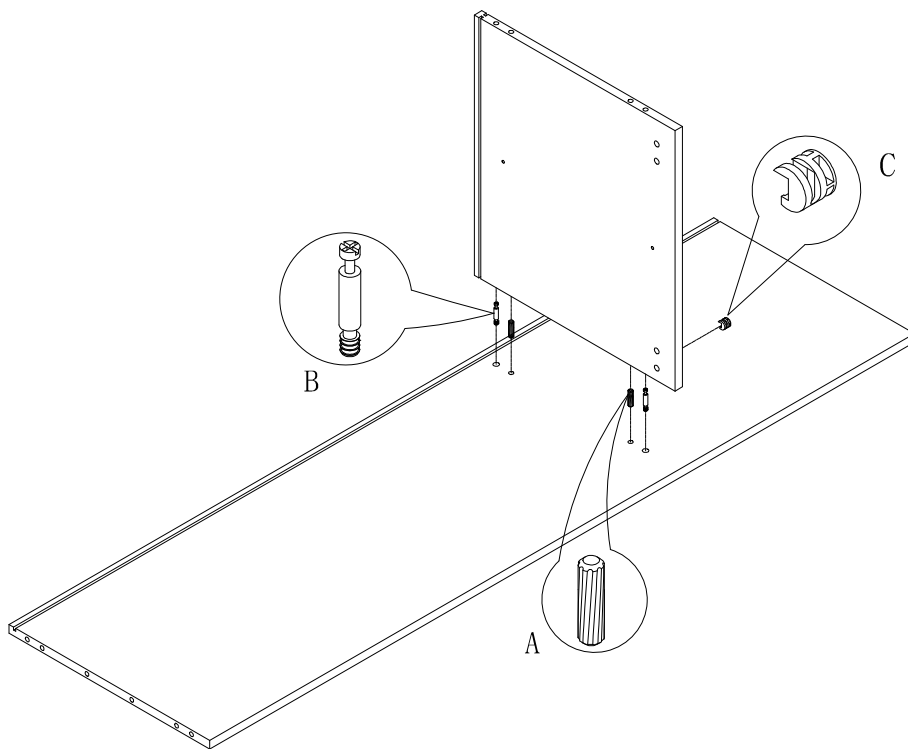
AAA x12
Spec: $\phi 3.8 \times L12$



15

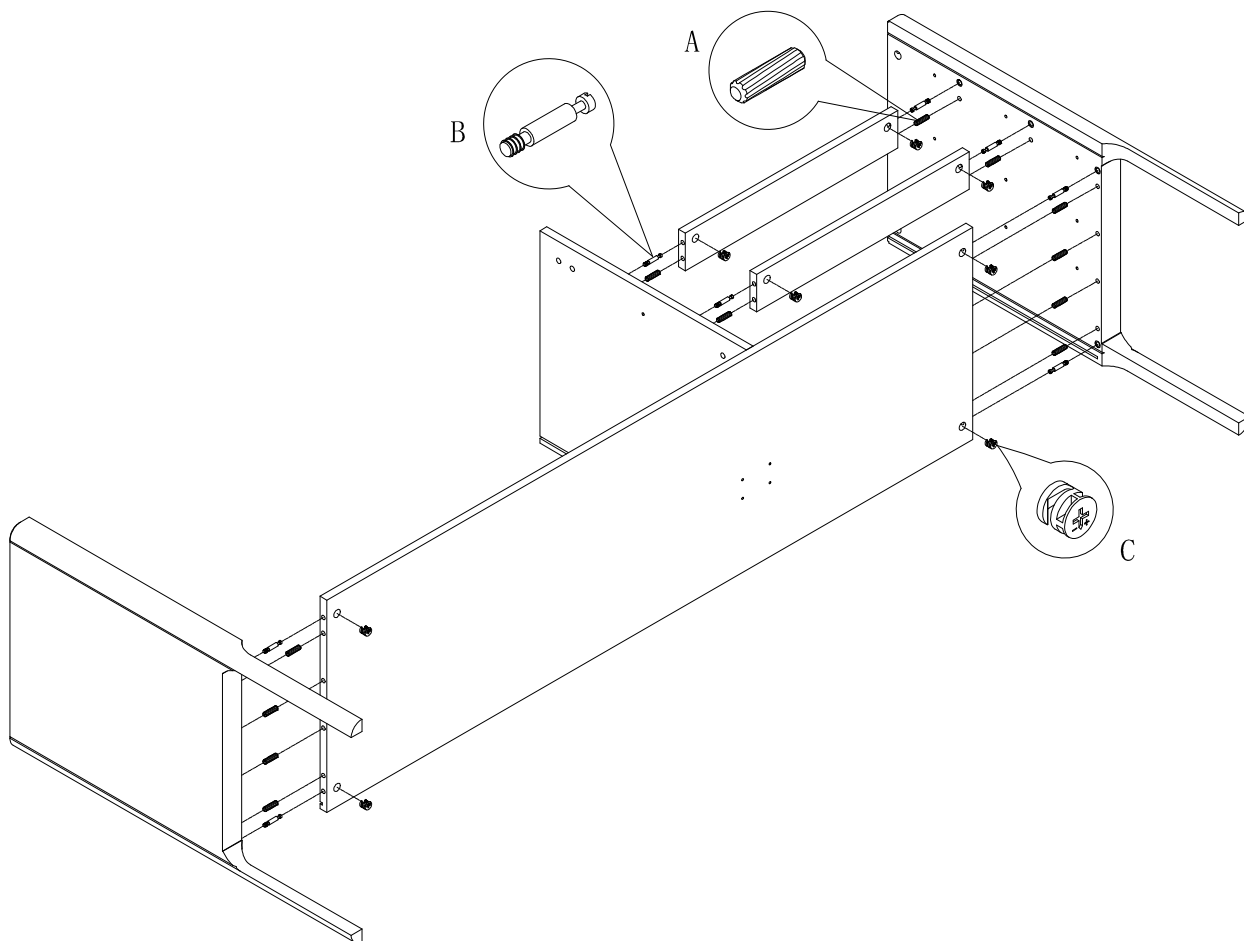
16

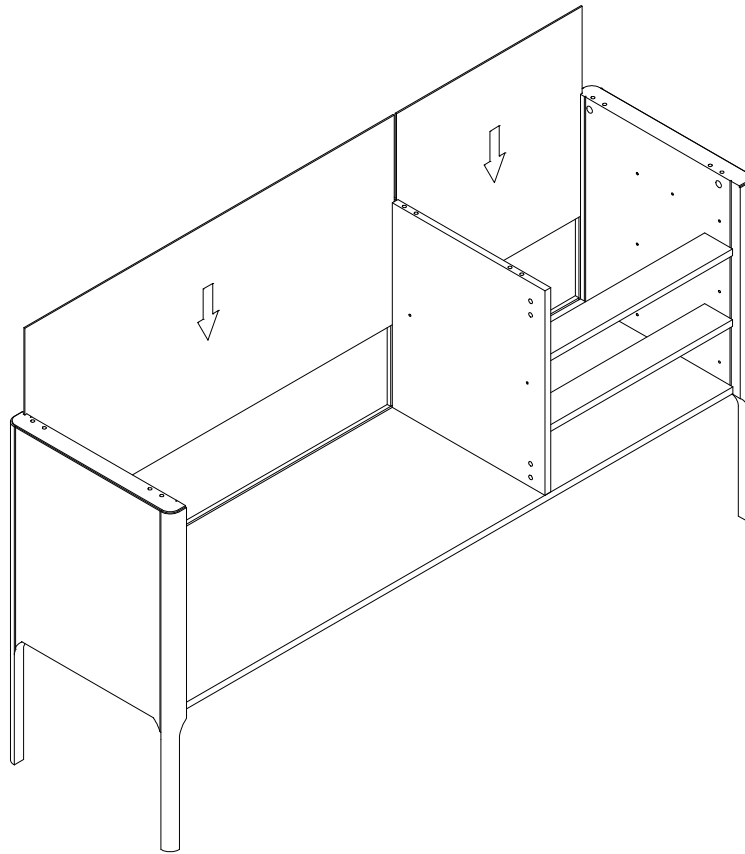




1

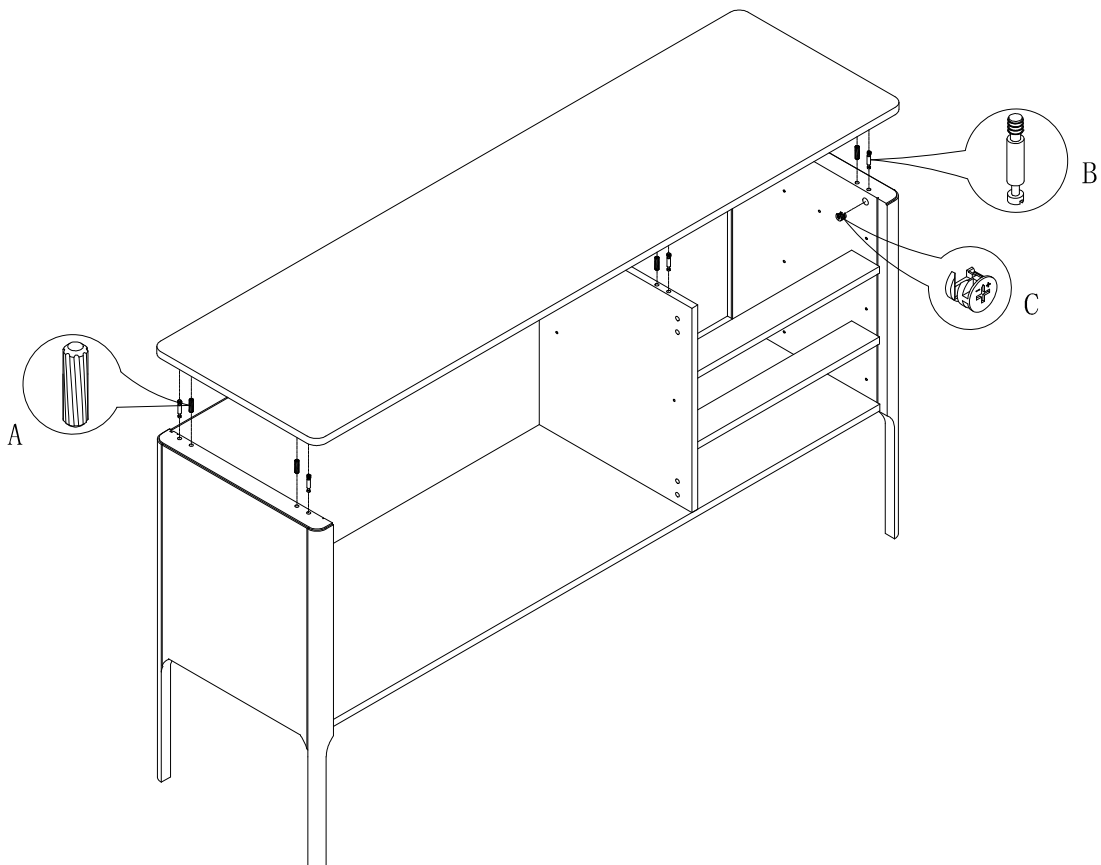
2

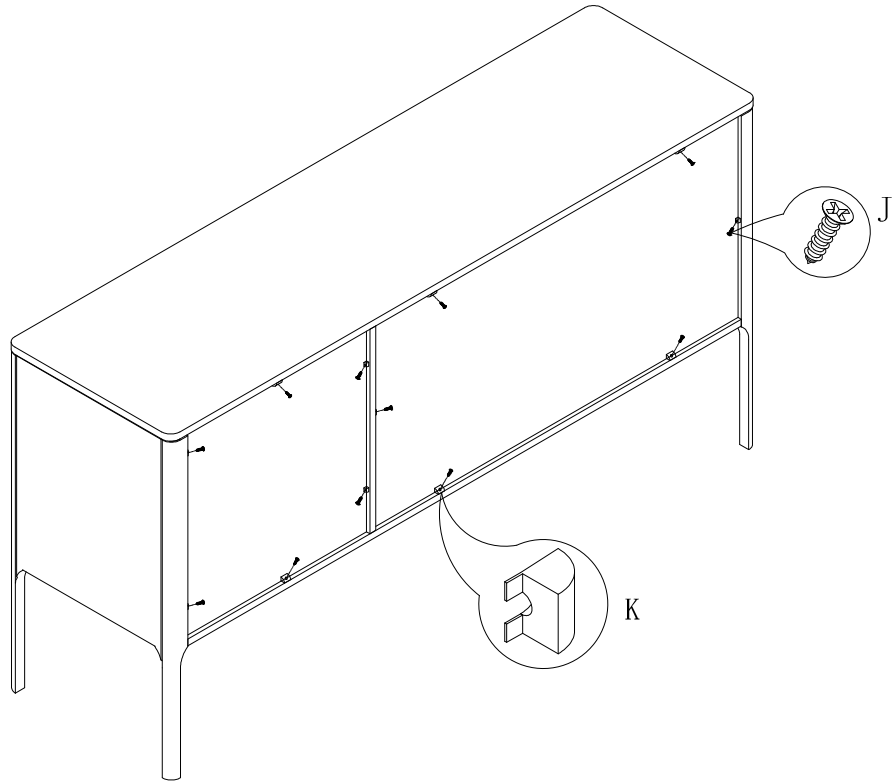




3

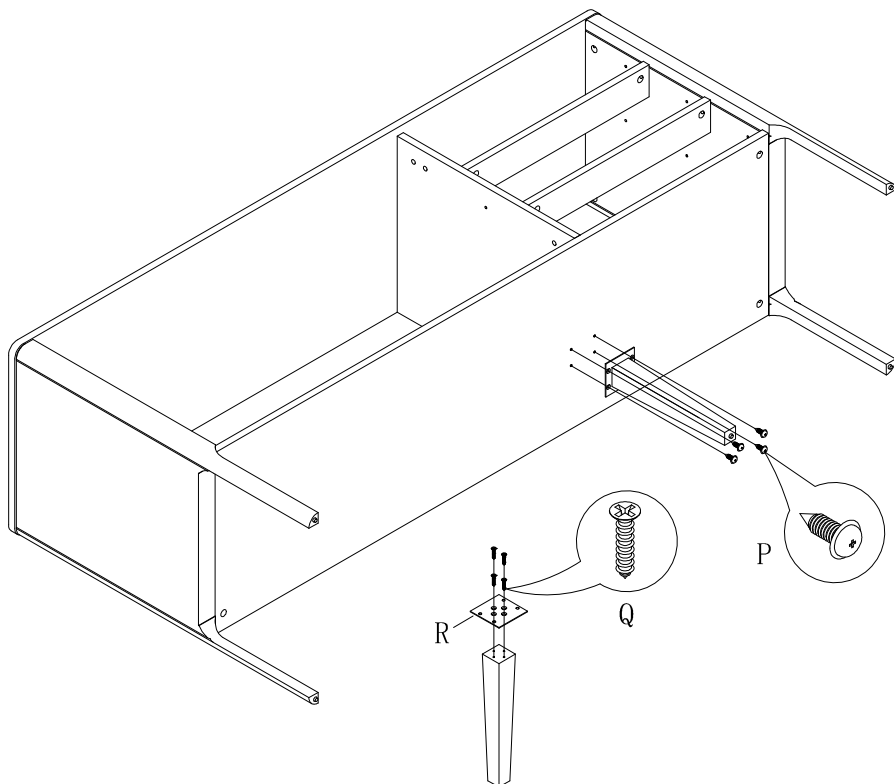
4

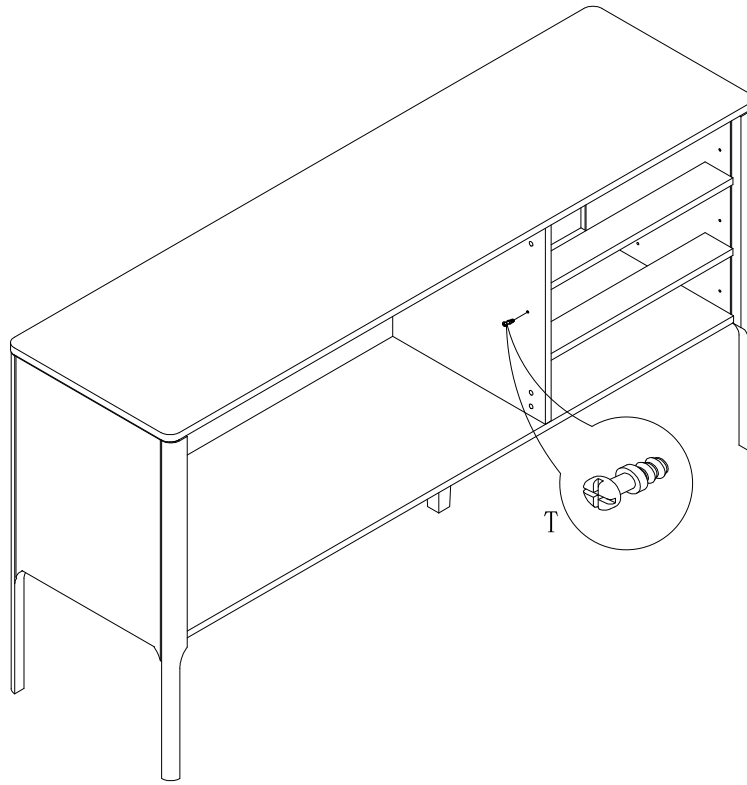




5

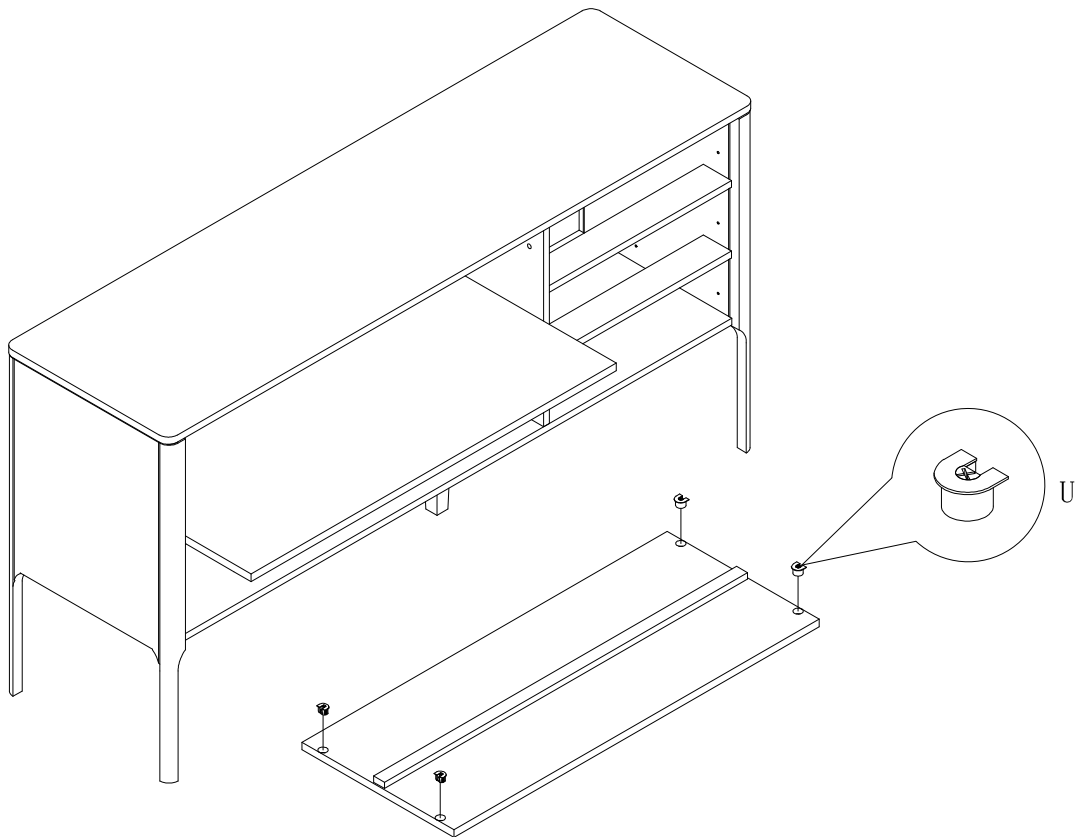
6

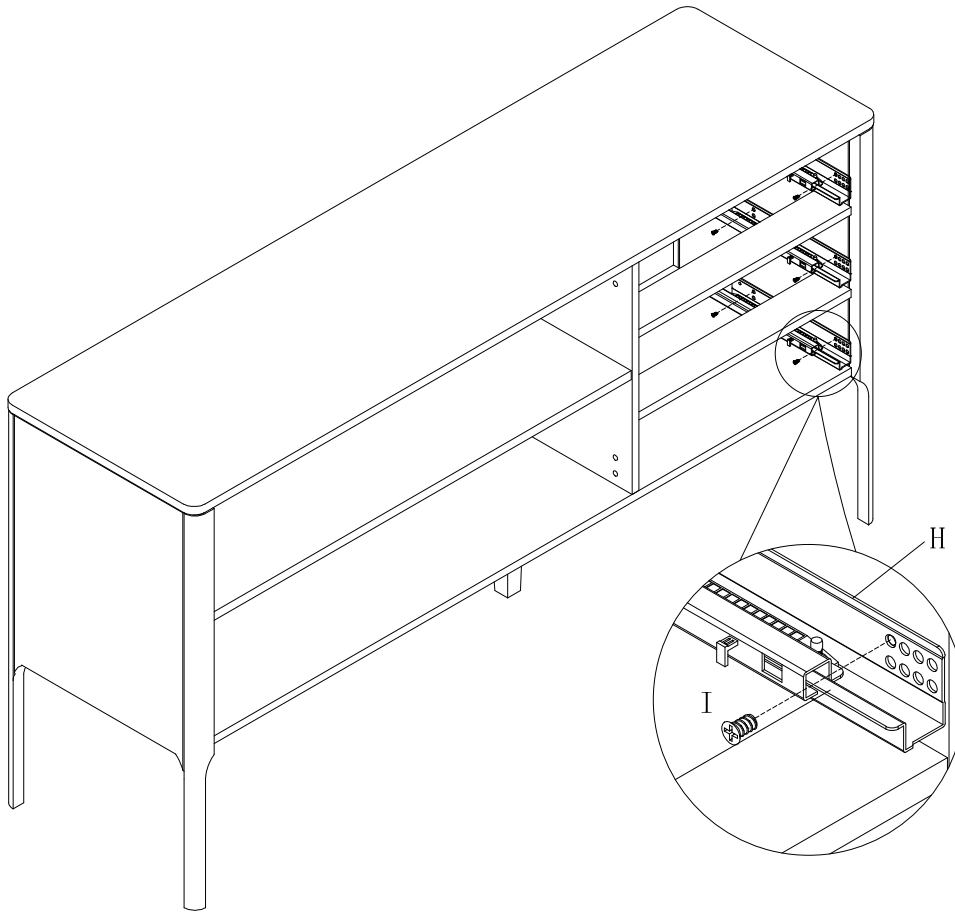




7

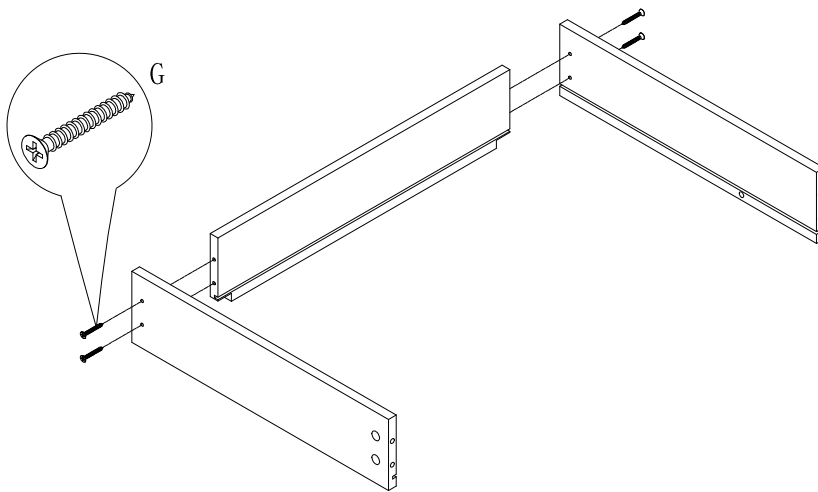
8

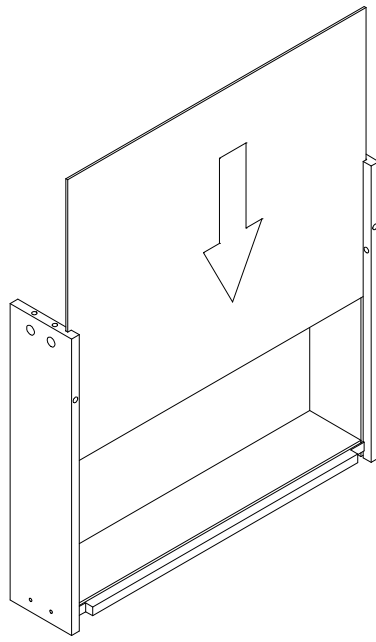




9

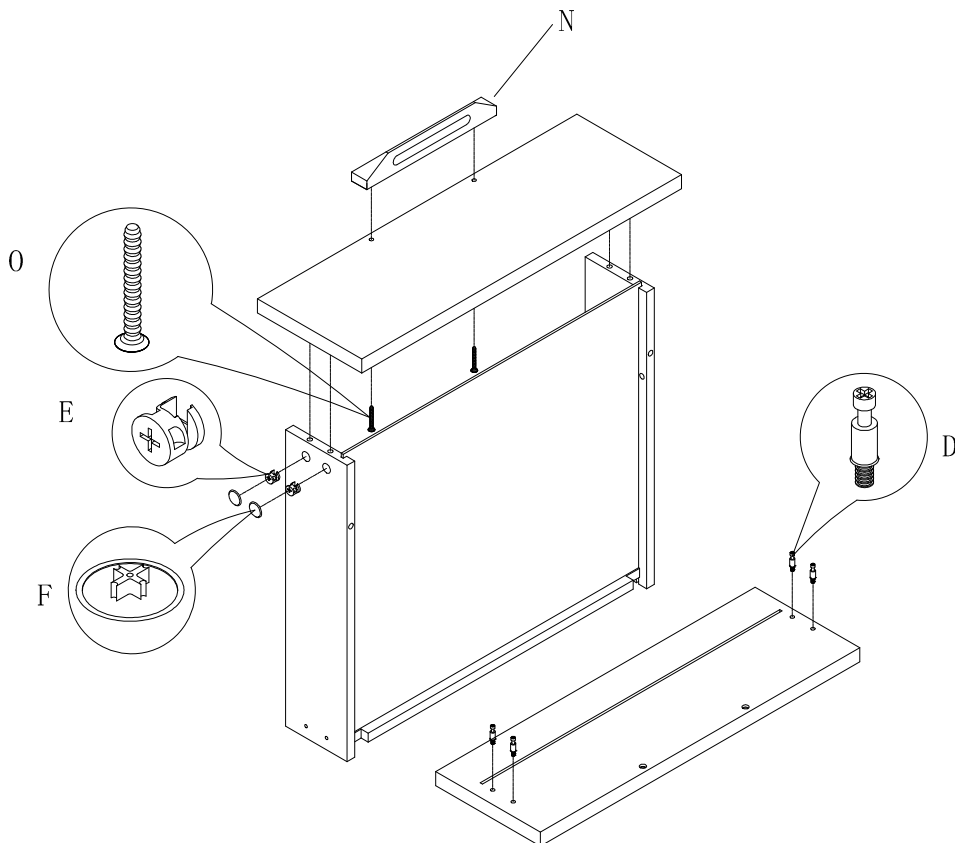
10

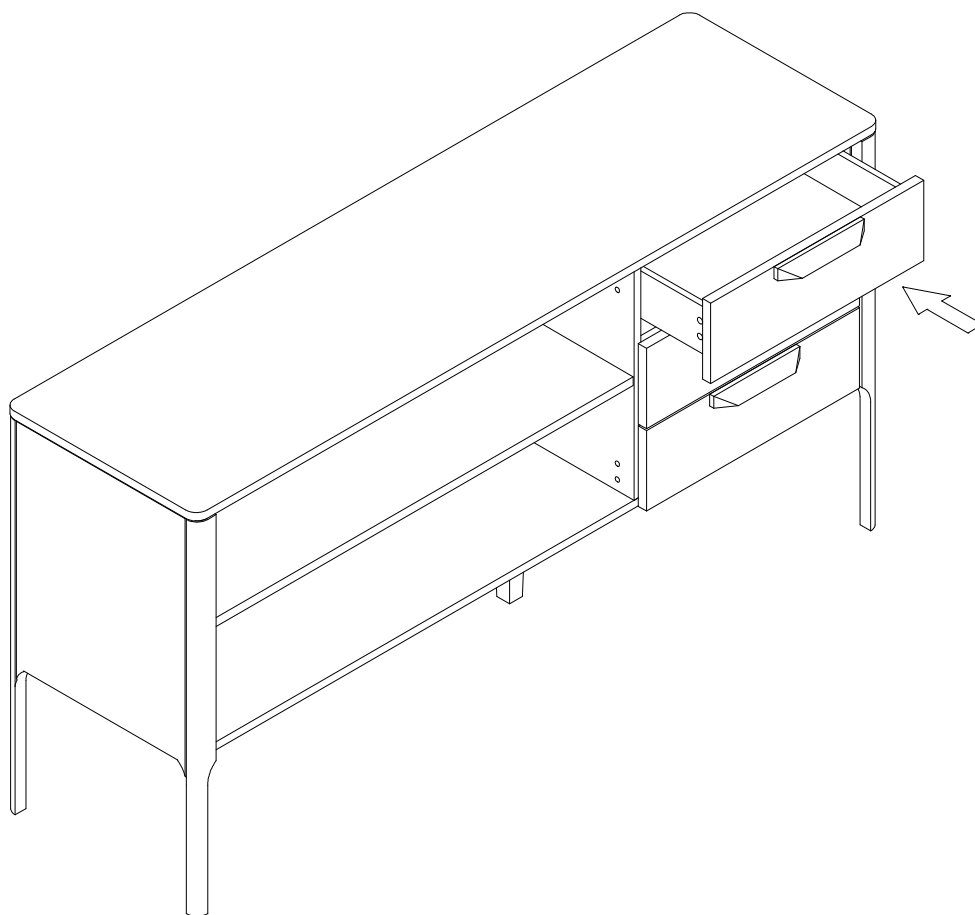




11

12





13

14

