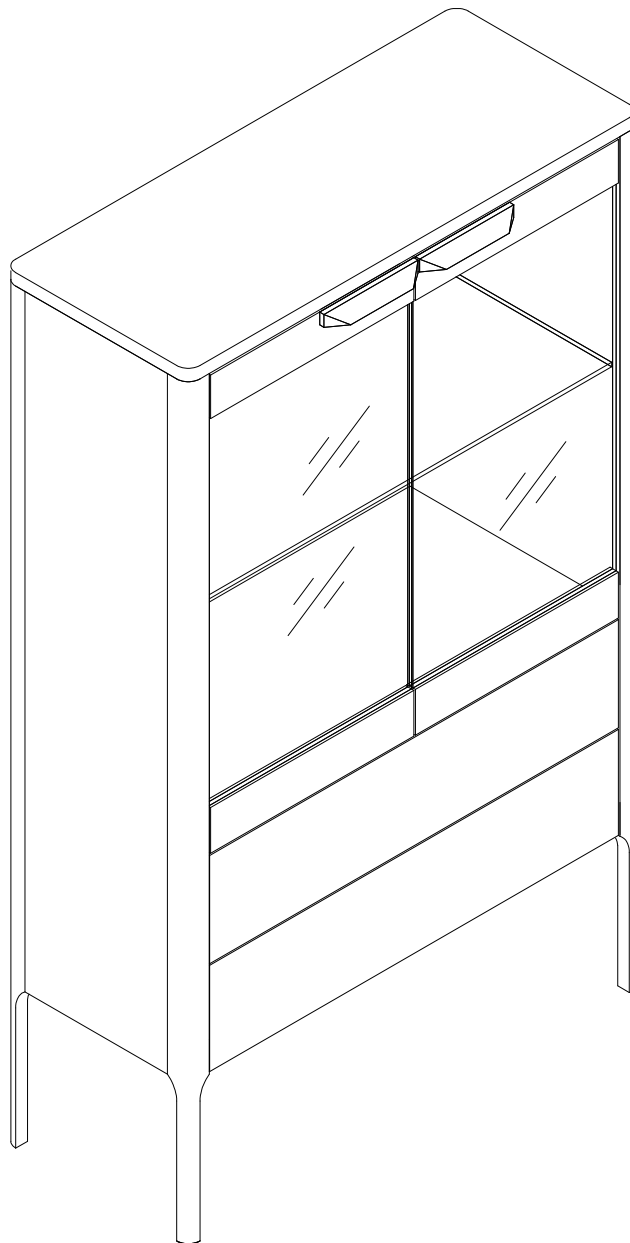


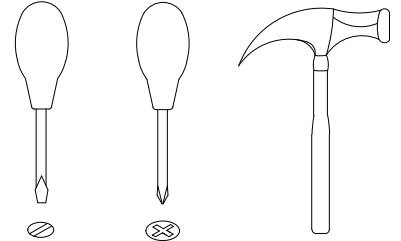
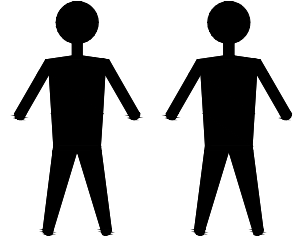
MOD
interiors

CP1806F12

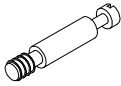


EAC

CP1806F12



A x14
Spec: $\varnothing 8 \times 30$



B x14
Spec: $\varnothing 7 \times L30$



C x14
Spec: $\varnothing 15 \times H12$



D x12
Spec: $\varnothing 6 \times L28$



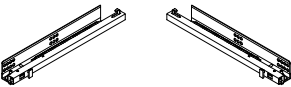
E x12
Spec: $\varnothing 12 \times H9$



F x16
Spec: $\varnothing 6 \times 30$



G x8
Spec: $\varnothing 6 \times L8$



H x2
Spec: L350



I x8
Spec: $\varnothing 3.5 \times L35$



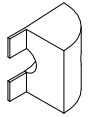
J x4
Spec:



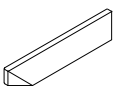
K x26
Spec:



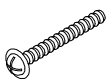
L x14
Spec: $\varnothing 3.5 \times L16$



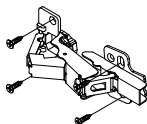
M x14
Spec: H13



N x2
Spec:



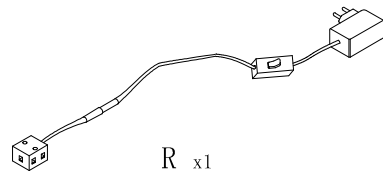
O x4
Spec: M4 * L21



P x4
Spec: 088#



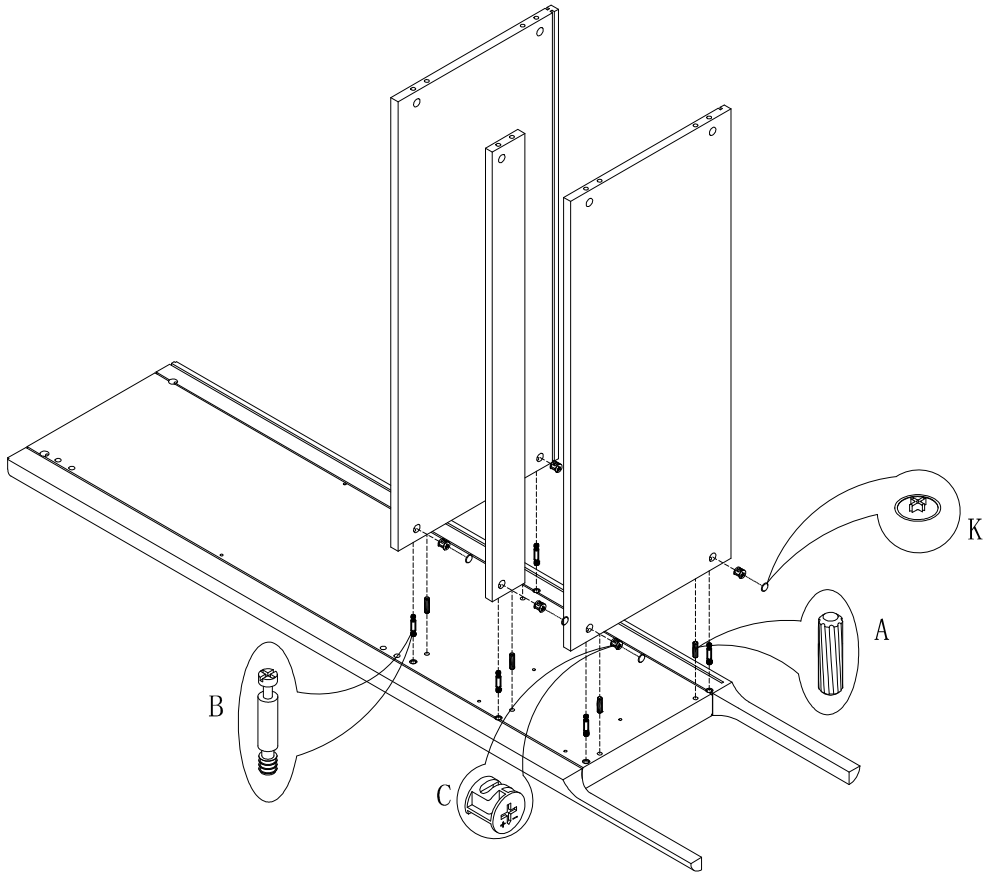
Q x8
Spec: 3.8 * L16



R x1
Spec:

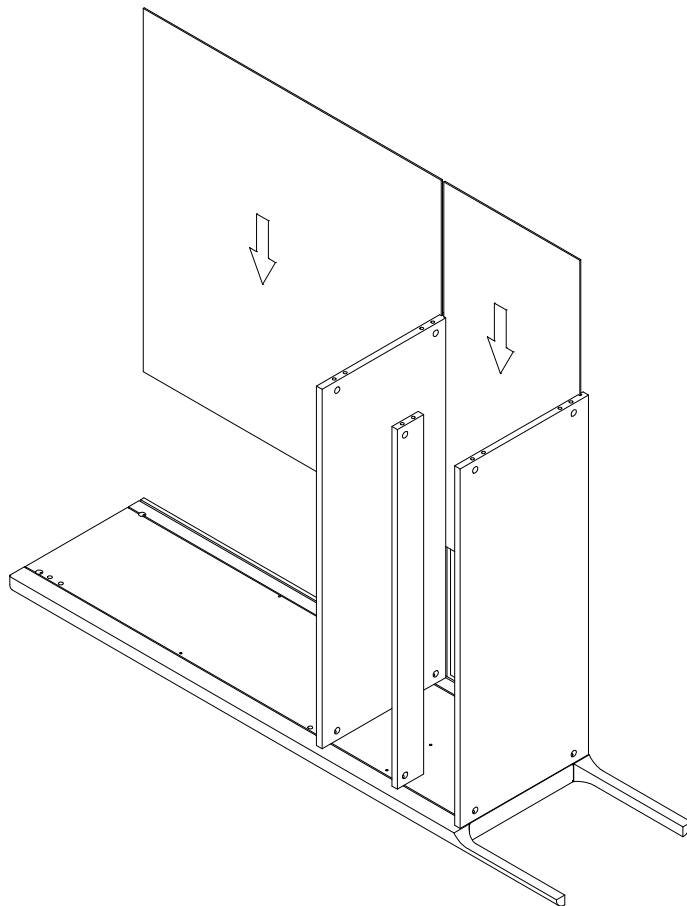


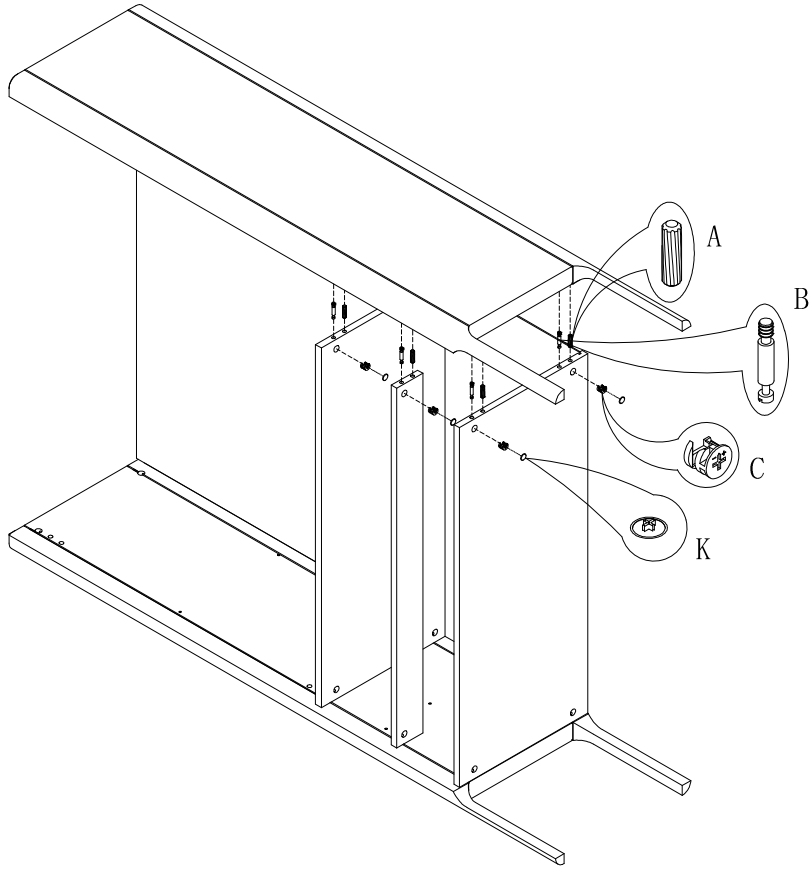
AAA x8
Spec: $\varnothing 3.8 \times L12$



1

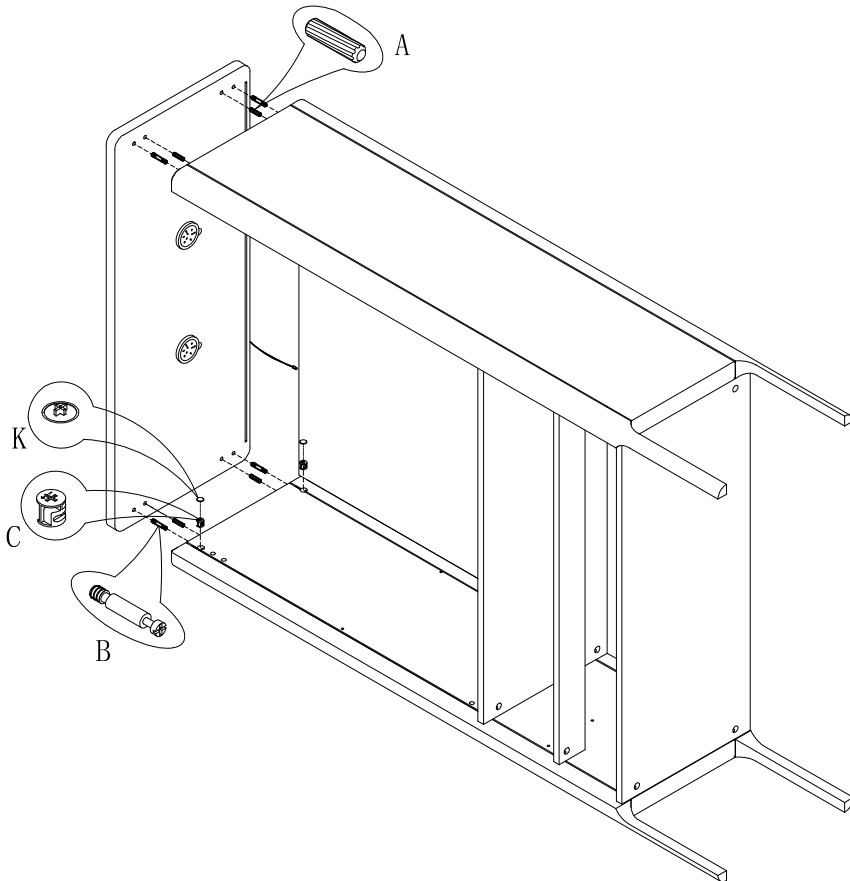
2

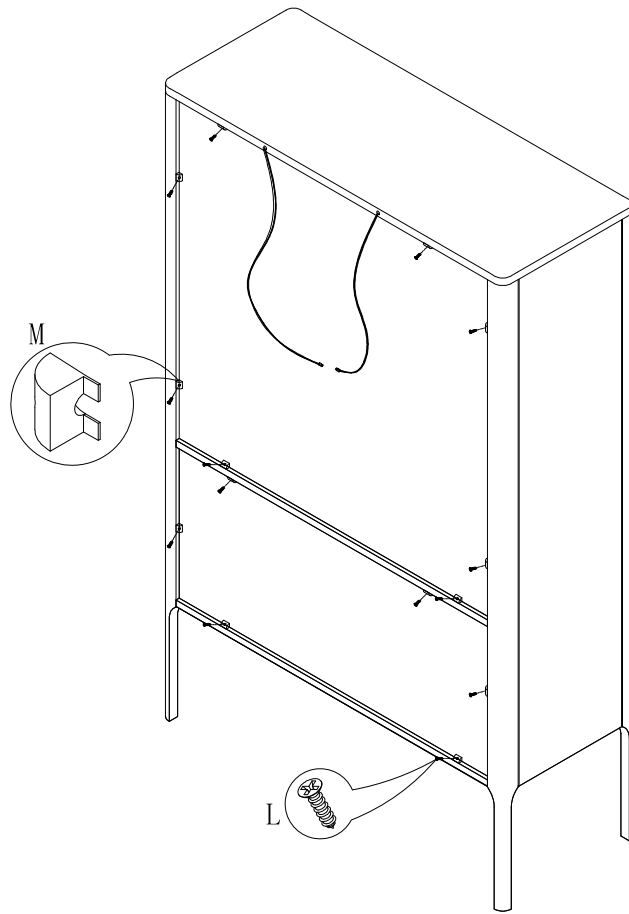




3

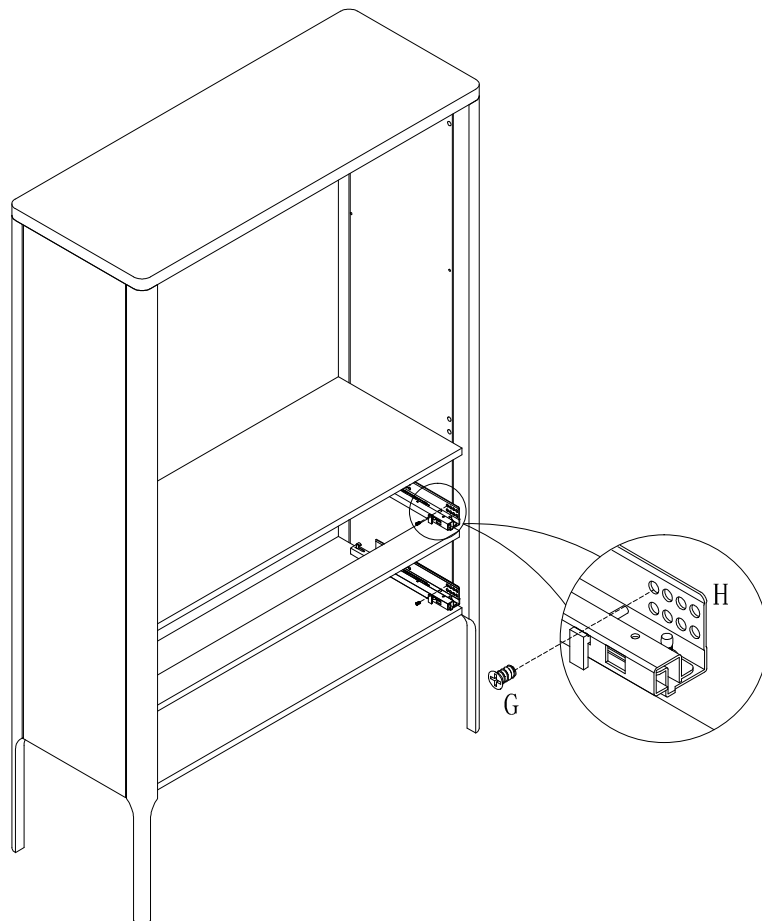
4

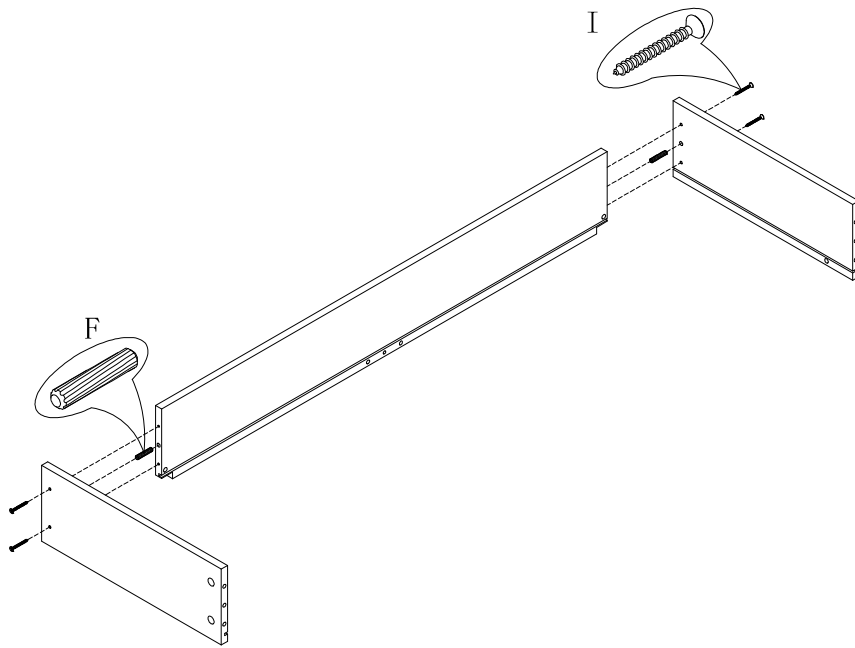




5

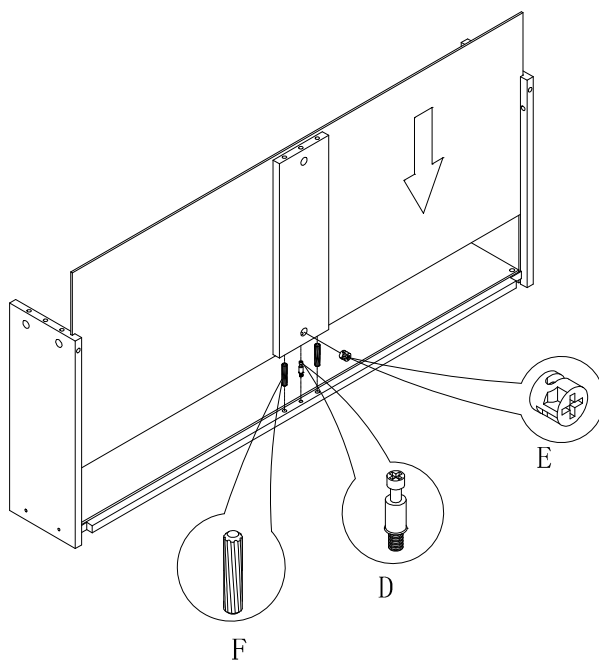
6

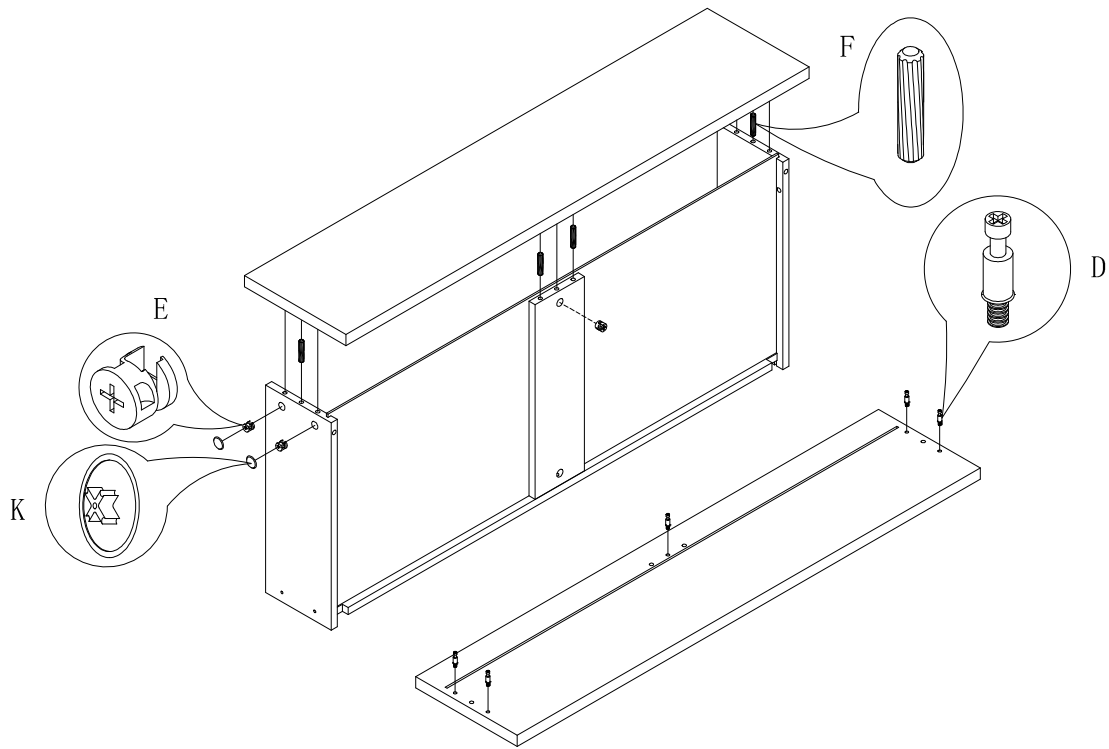




7

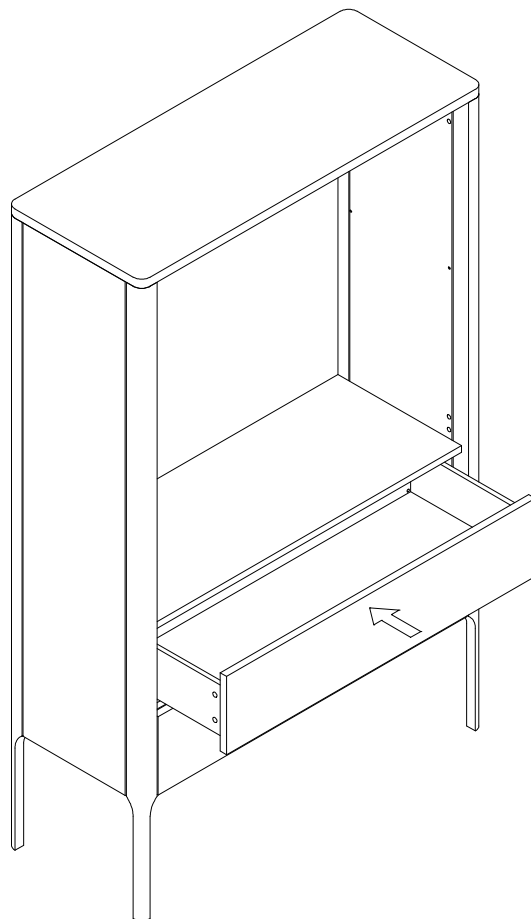
8

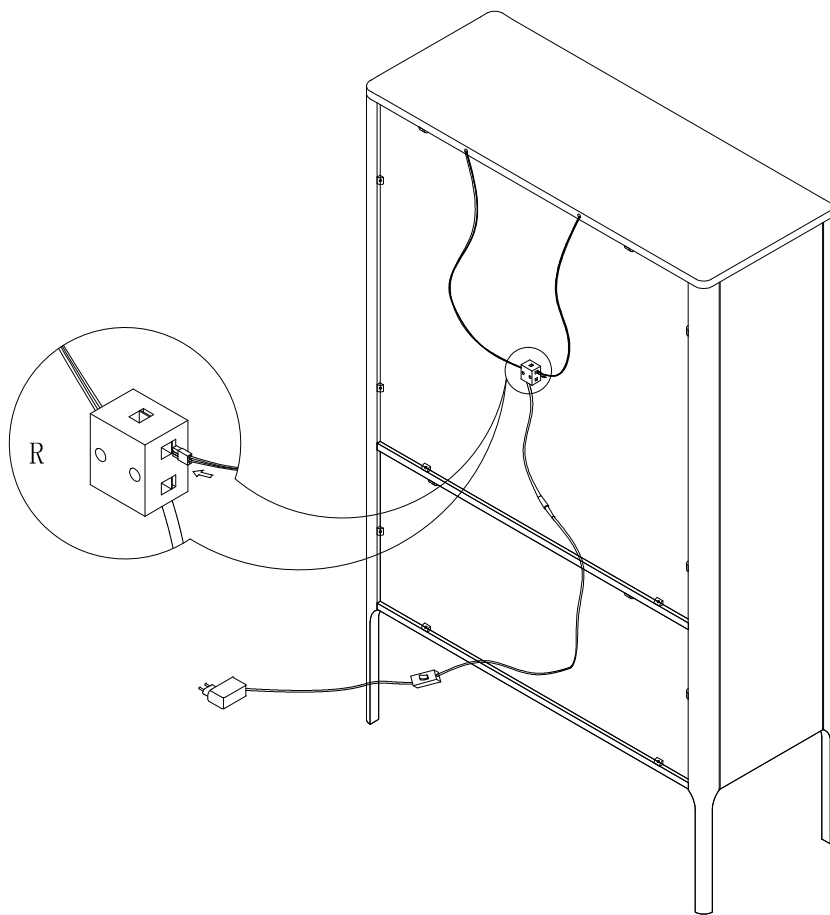




9

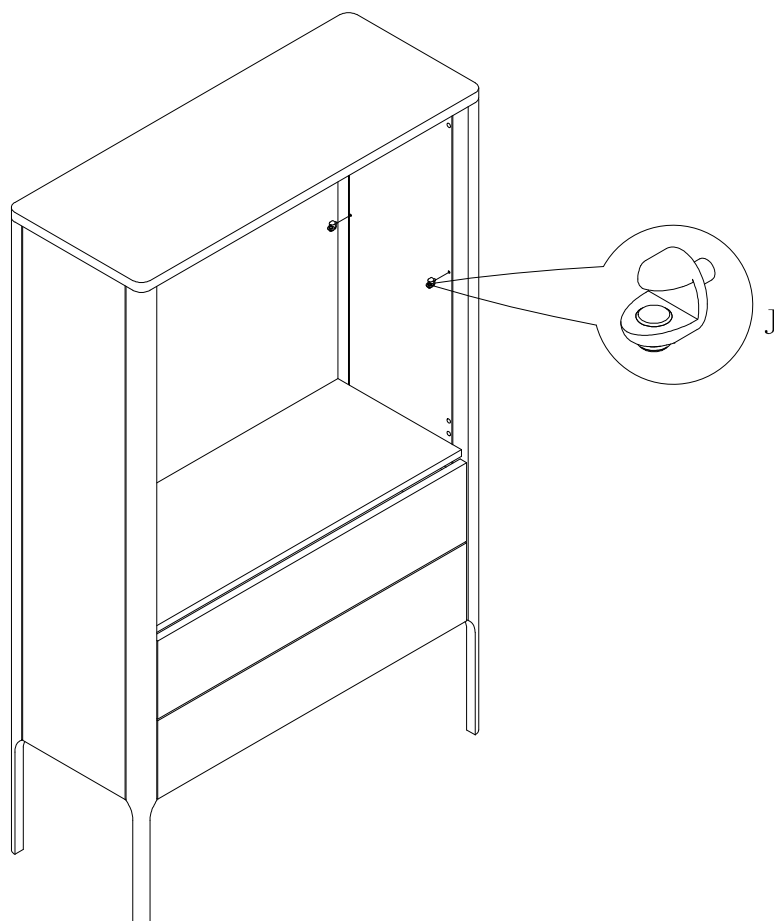
10

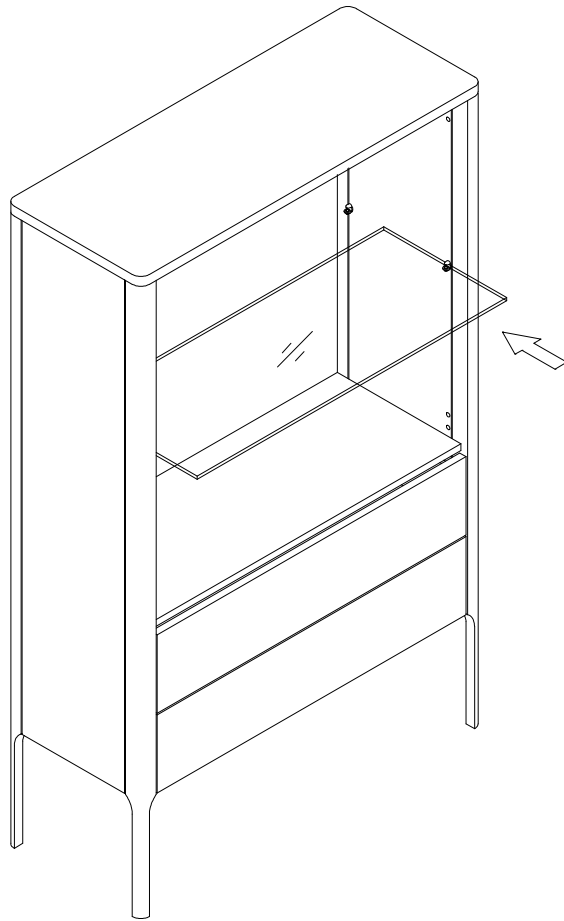




11

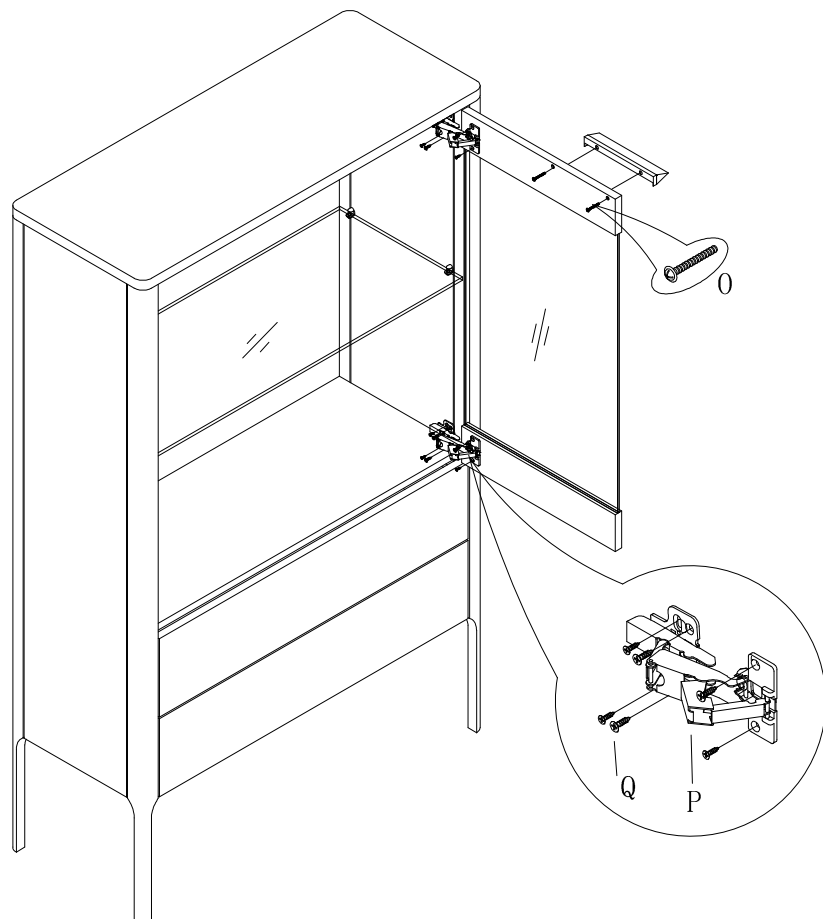
12

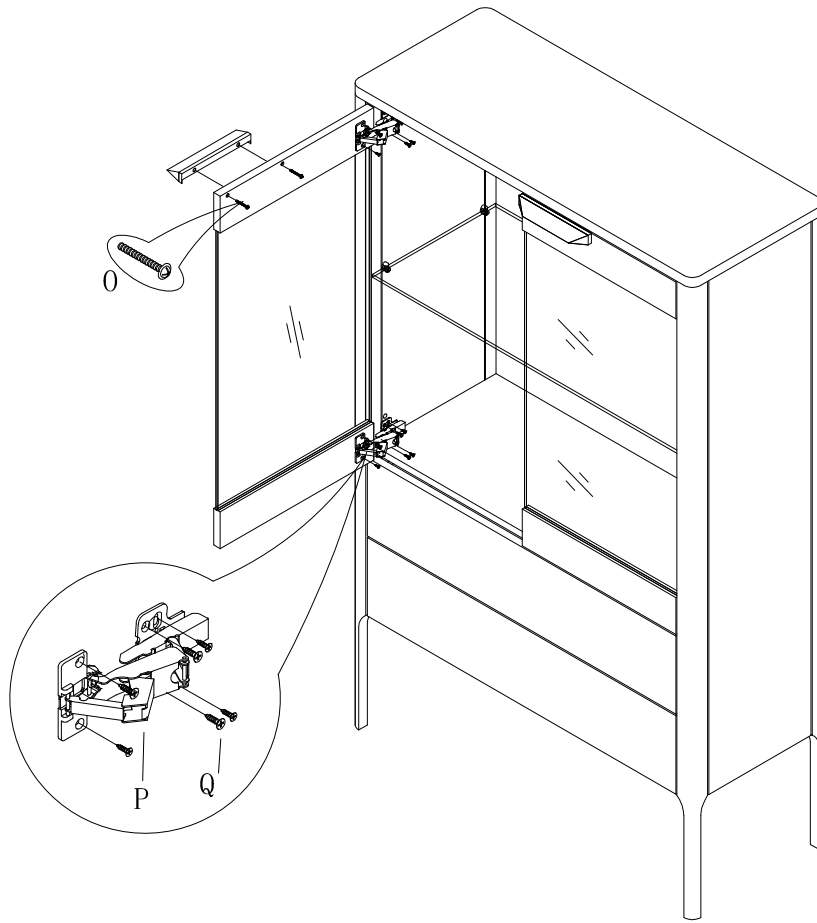




13

14





15
