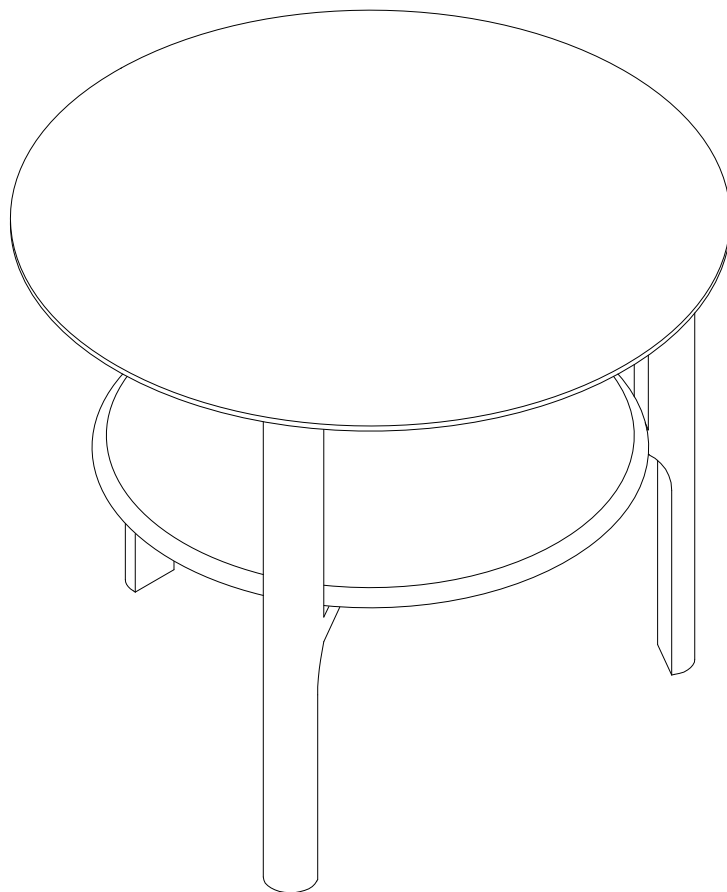


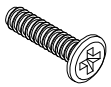
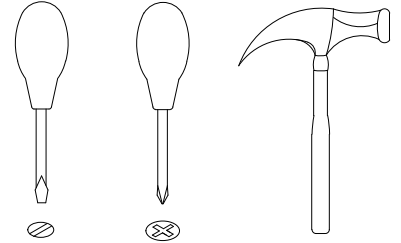
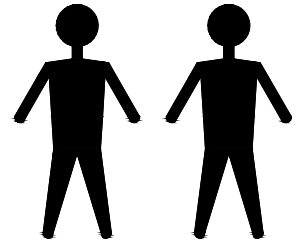
**MOD**  
interiors

# CP1806I2



**EAC**

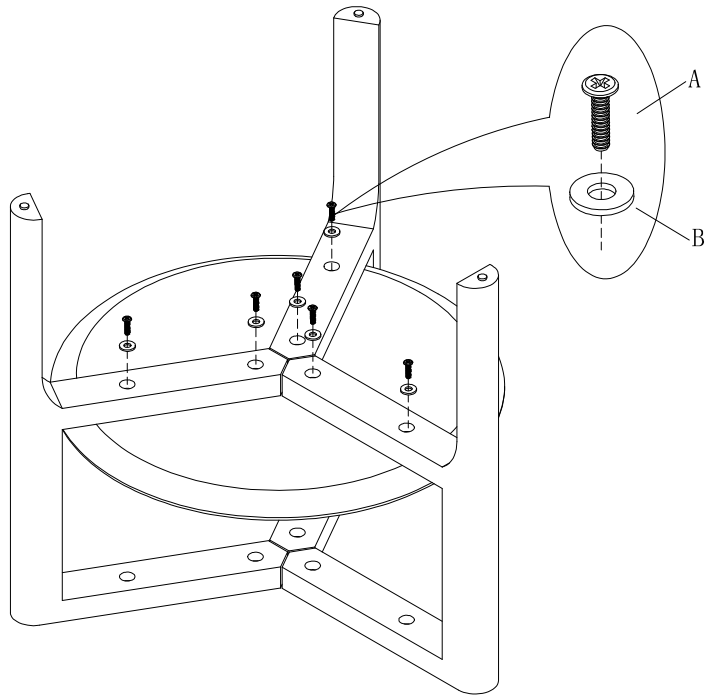
# # CP1806I2



A x12  
Spec: M6\*30



B x12  
Spec:  $\phi 8.2 * \phi 14$



1

2

