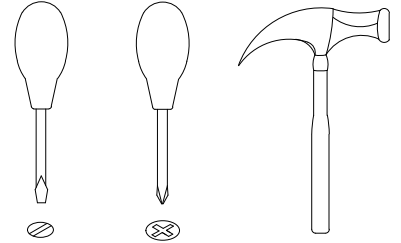
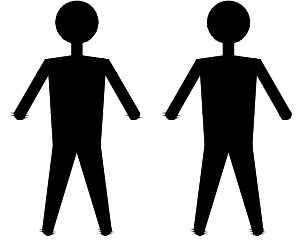
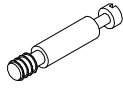


# # CP1806TV2-WD



A x24  
Spec:  $\varnothing 8 \times 30$



B x23  
Spec:  $\varnothing 7 \times L30$



C x23  
Spec:  $\varnothing 15 \times H12$



D x6  
Spec:  $\varnothing 6 \times L8$



E x6  
Spec:  $\varnothing 6 \times L28$



F x6  
Spec:  $\varnothing 12 \times H9$



G x8  
Spec:  $\varnothing 3.8 \times L25$



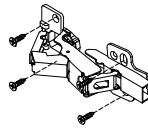
H x4  
Spec:  $\varnothing 6 \times 30$



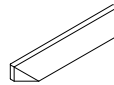
I x8  
Spec:  $\varnothing 4 \times L16$



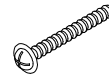
J x8  
Spec:  $\varnothing 3.5 \times L20$



K x4  
Spec: 088#



L x2  
Spec:



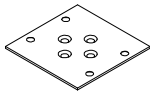
M x4  
Spec: M4  $\times$  L21



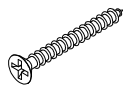
N x4  
Spec:



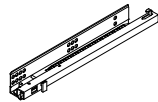
O x25  
Spec:



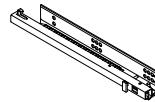
P x2  
Spec: 78  $\times$  78  $\times$  1.8



Q x4  
Spec:  $\varnothing 3.5 \times L35$



R x1  
Spec: L350



S x14  
Spec: H13



T x14  
Spec:  $\varnothing 3.5 \times L16$



U x8  
Spec:  $\varnothing 20 \times H12$



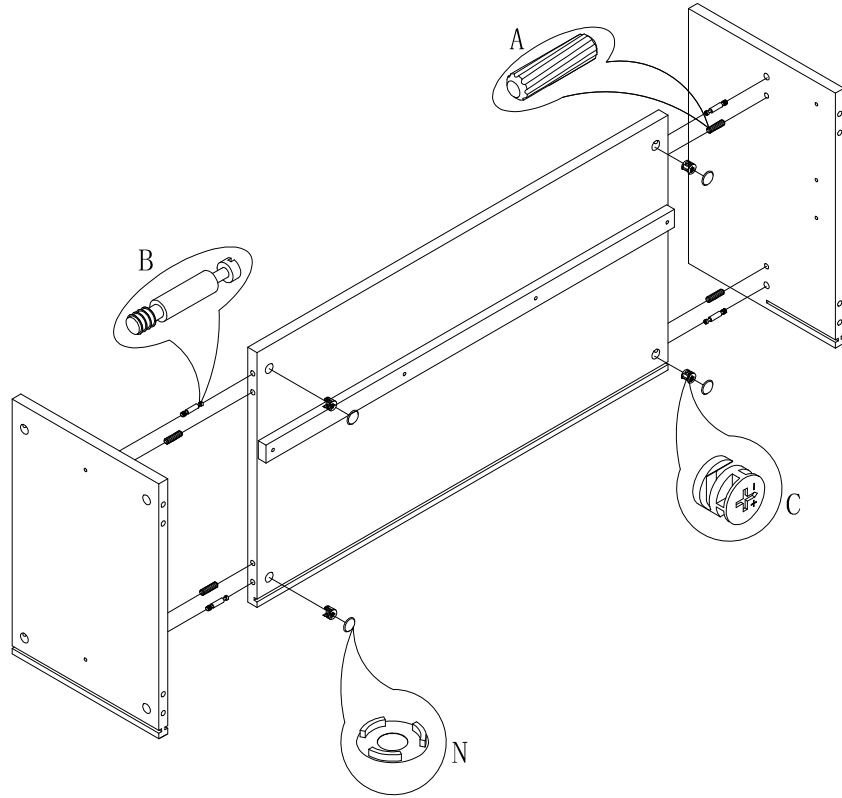
V x8  
Spec:  $\varnothing 5 \times L19$



W x8  
Spec:  $\varnothing 3.8 \times L16$

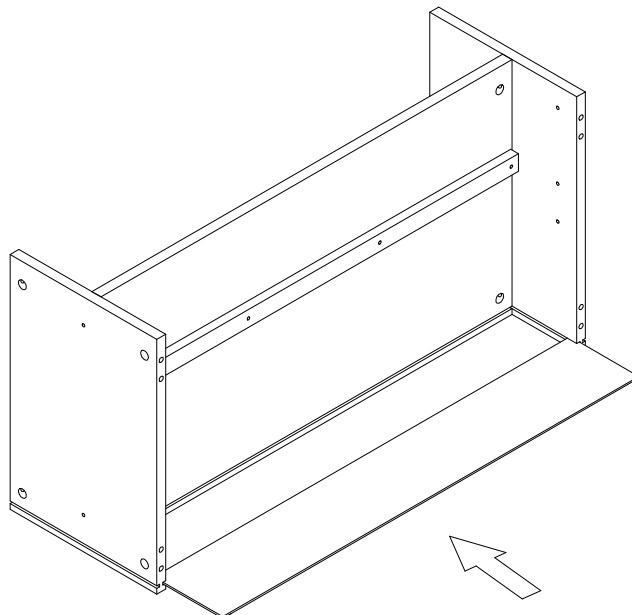


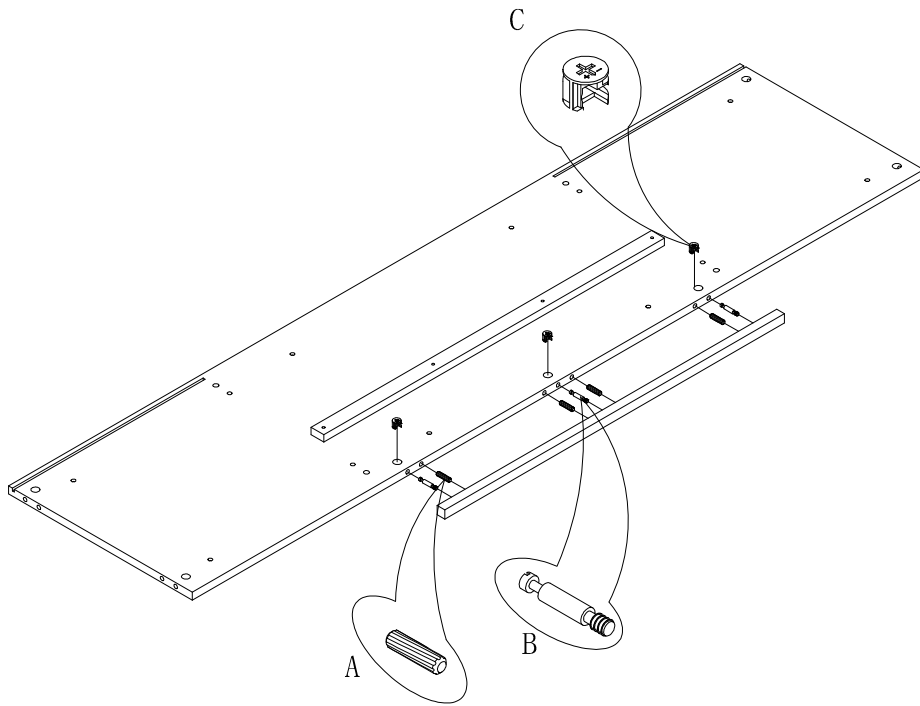
AAA x4  
Spec:  $\varnothing 3.8 \times L12$



1

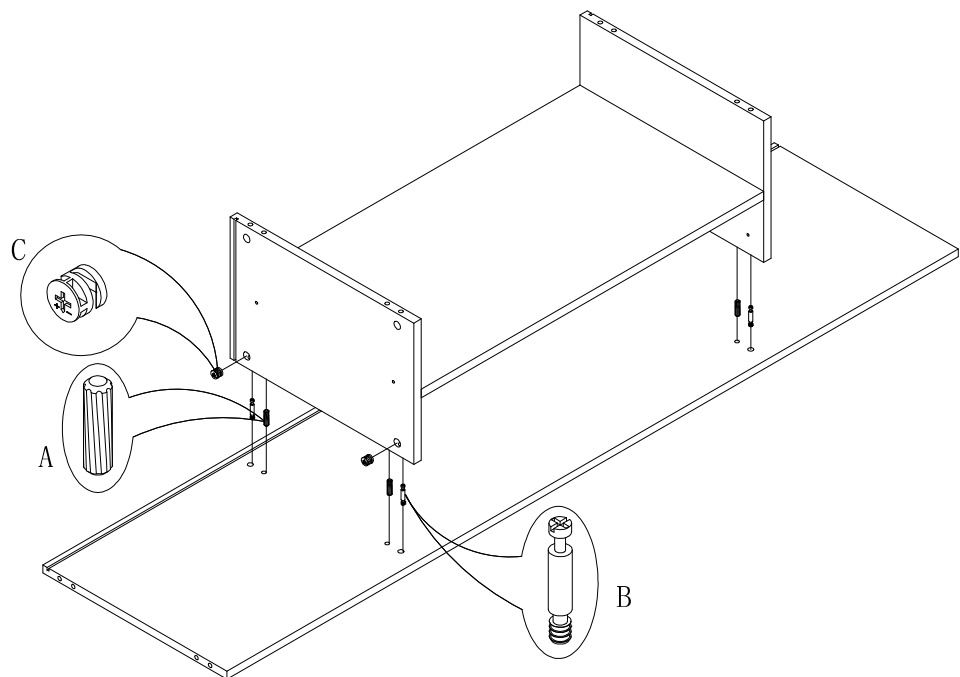
2

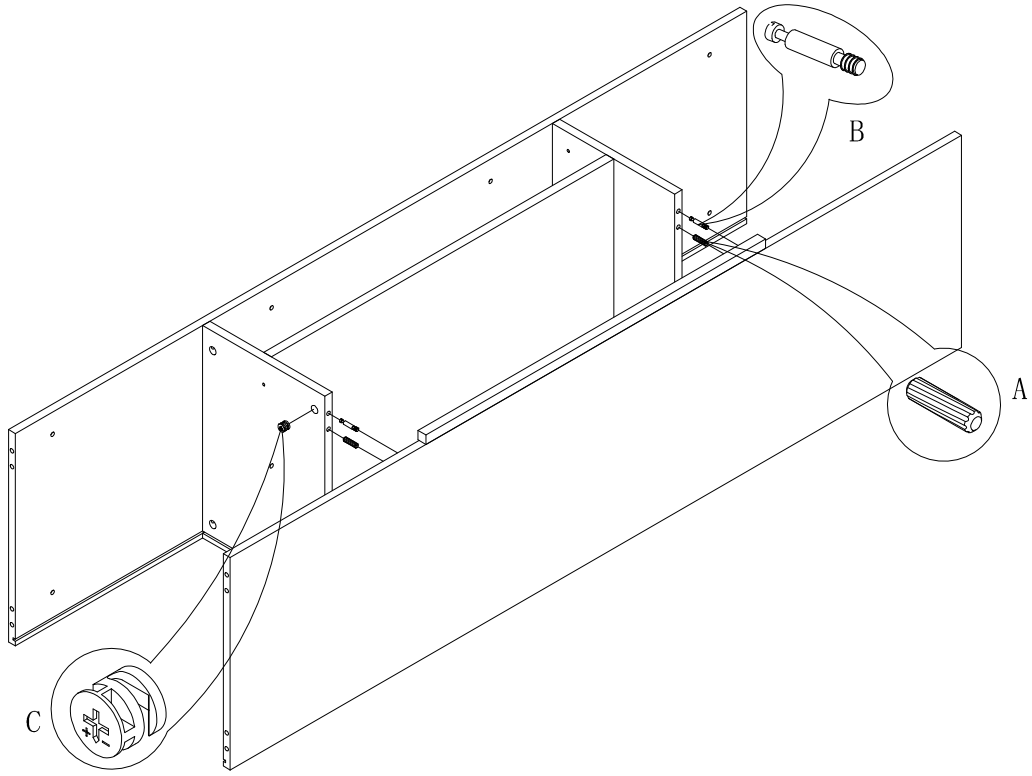




3

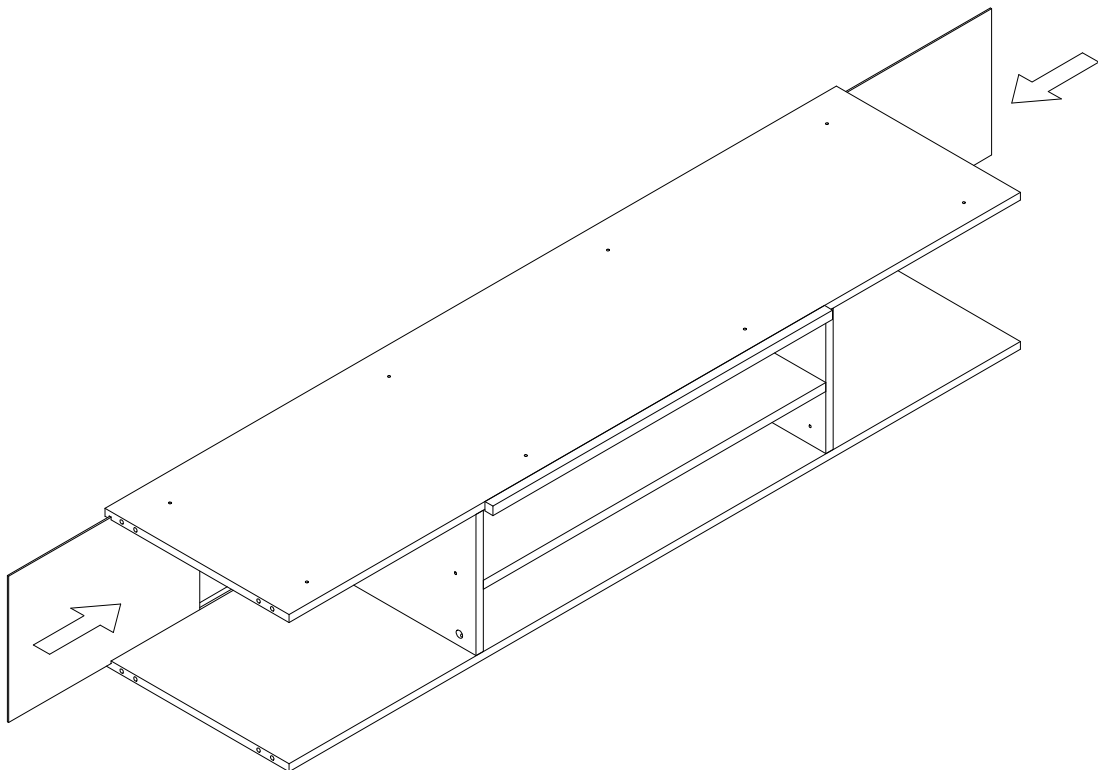
4

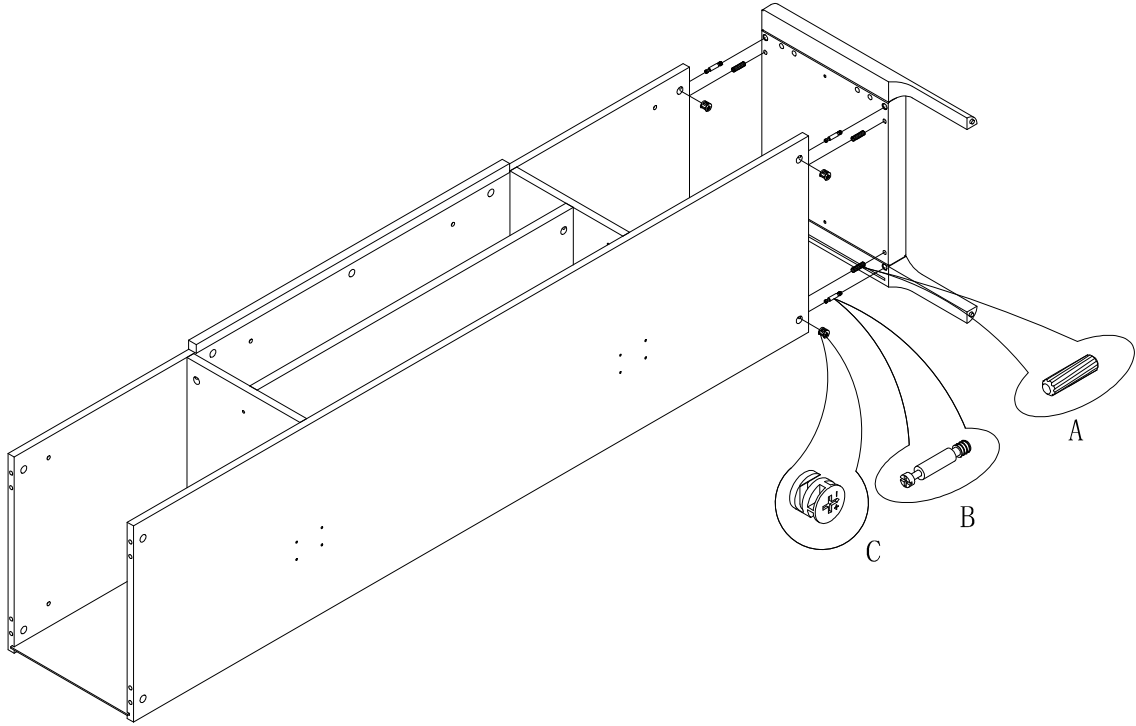




5

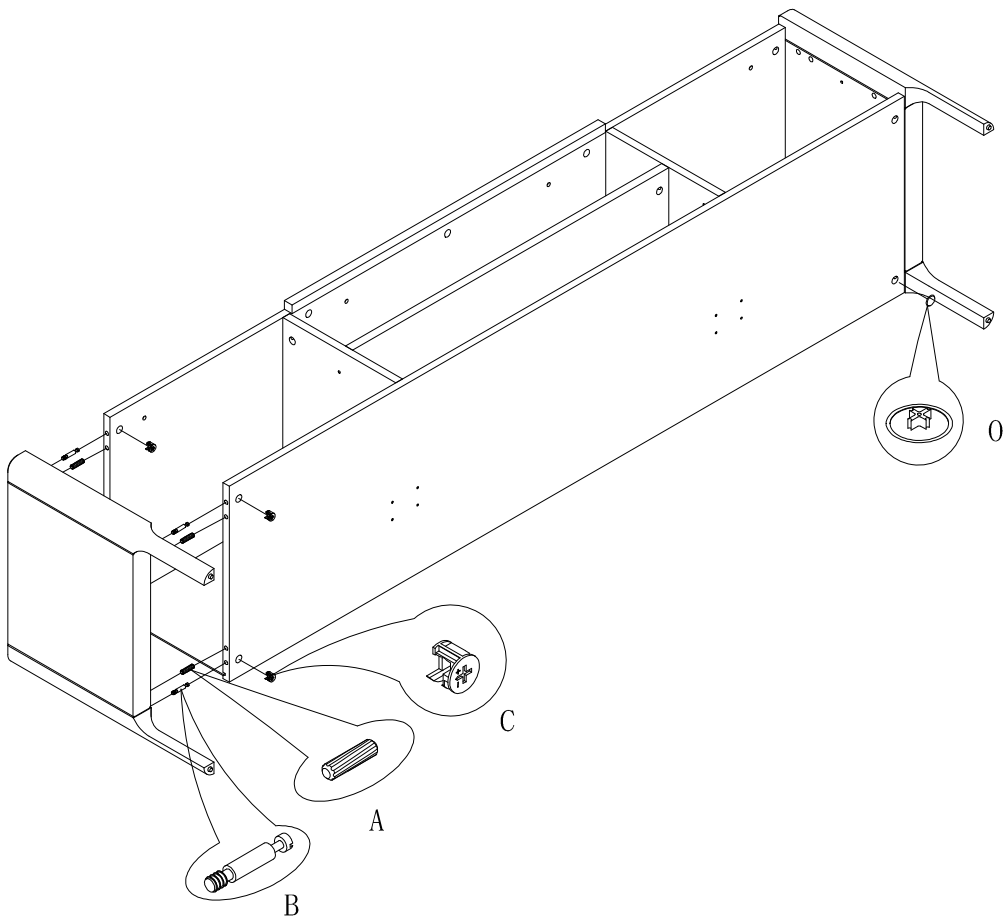
6

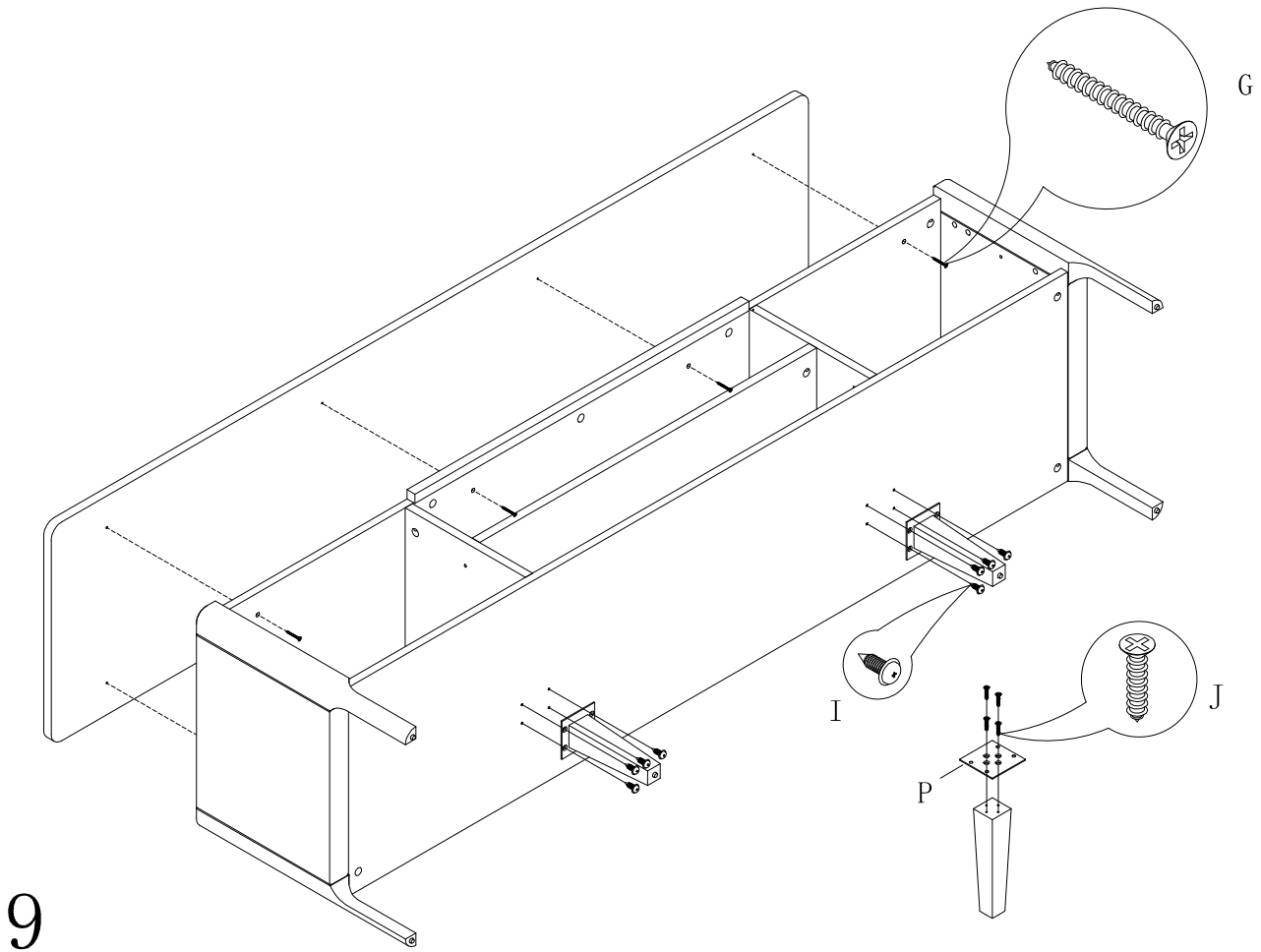




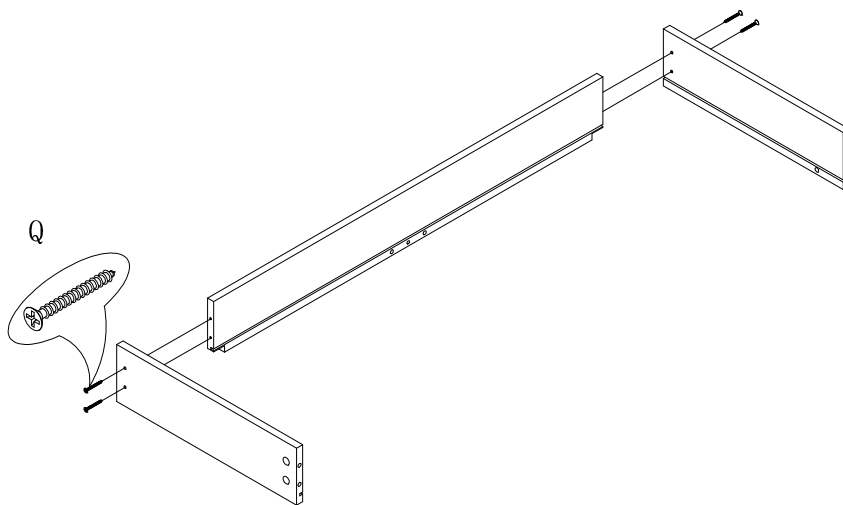
7

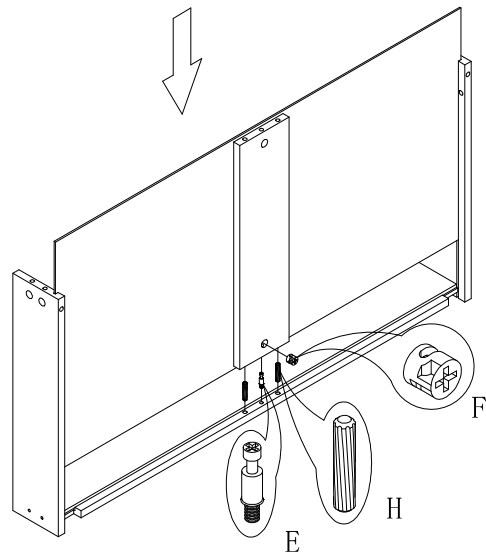
8





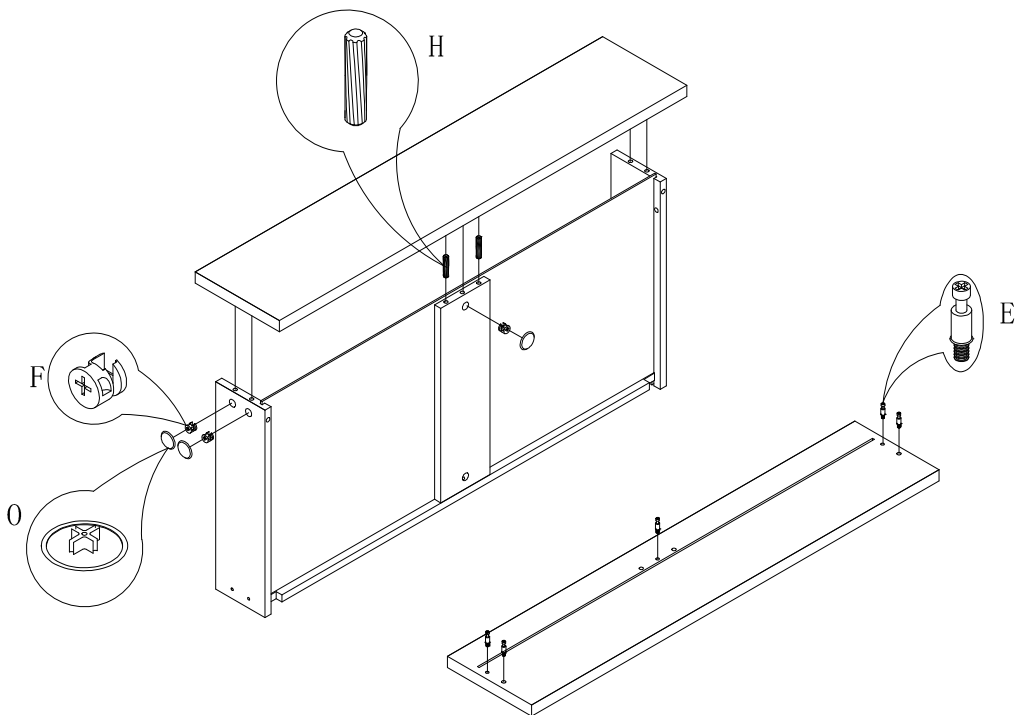
10



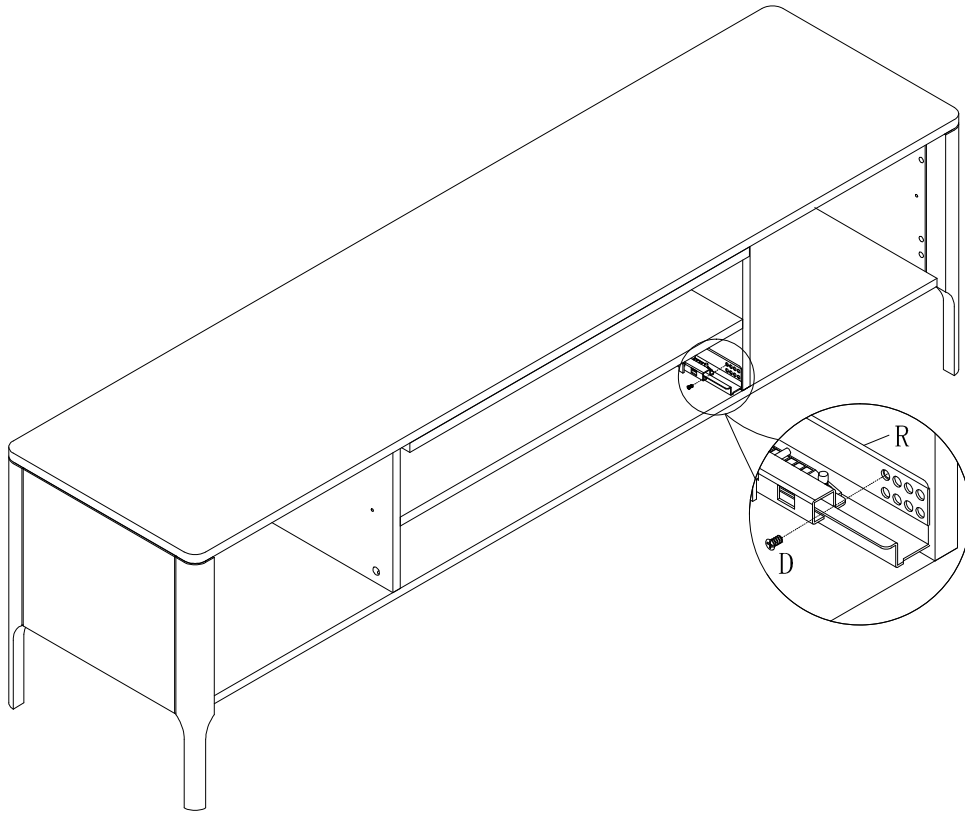


11

12

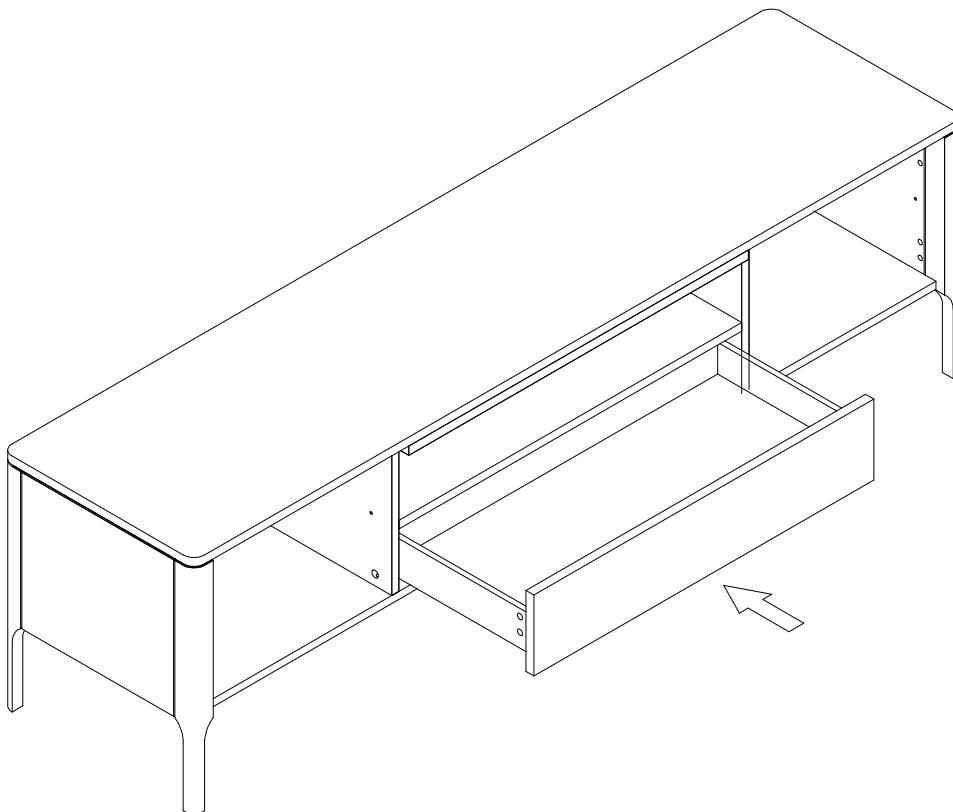


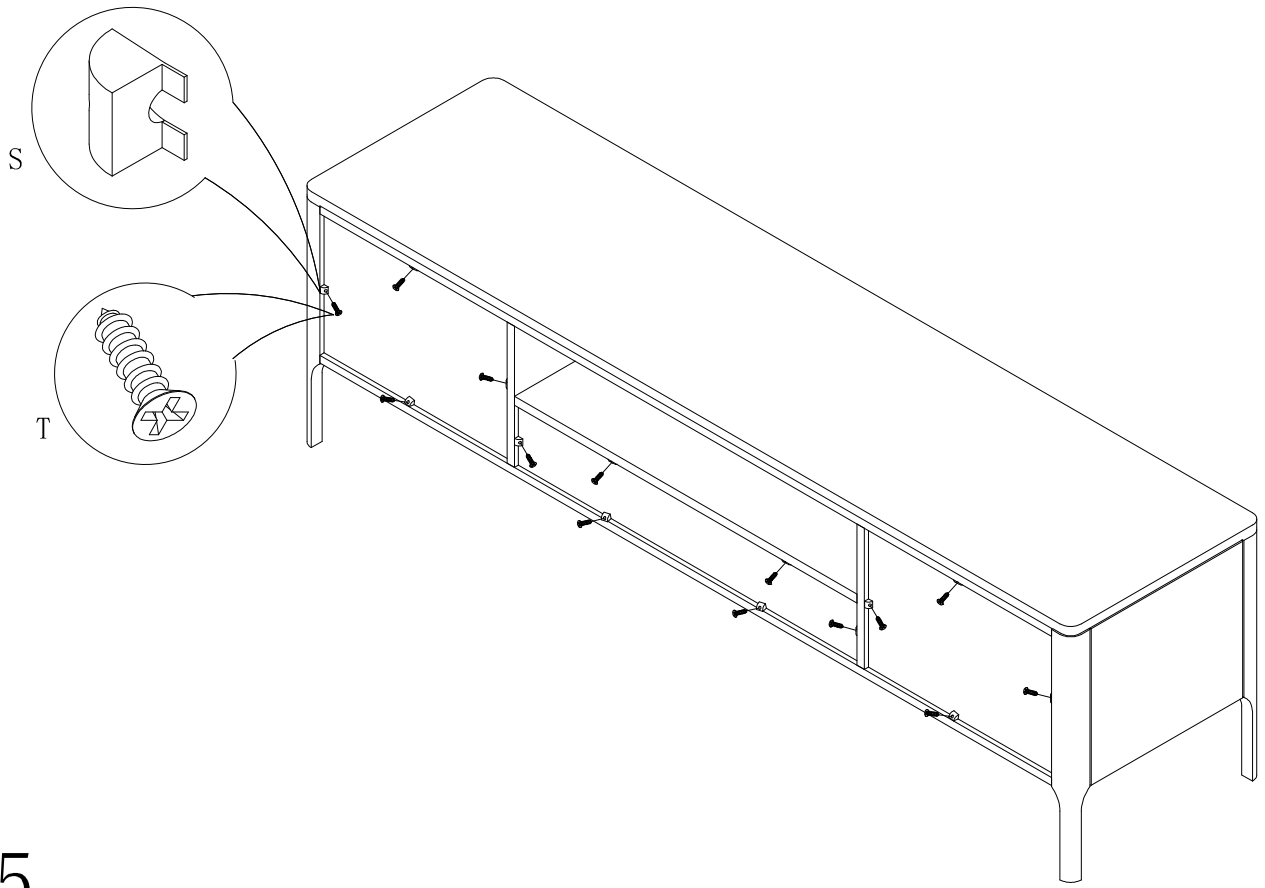




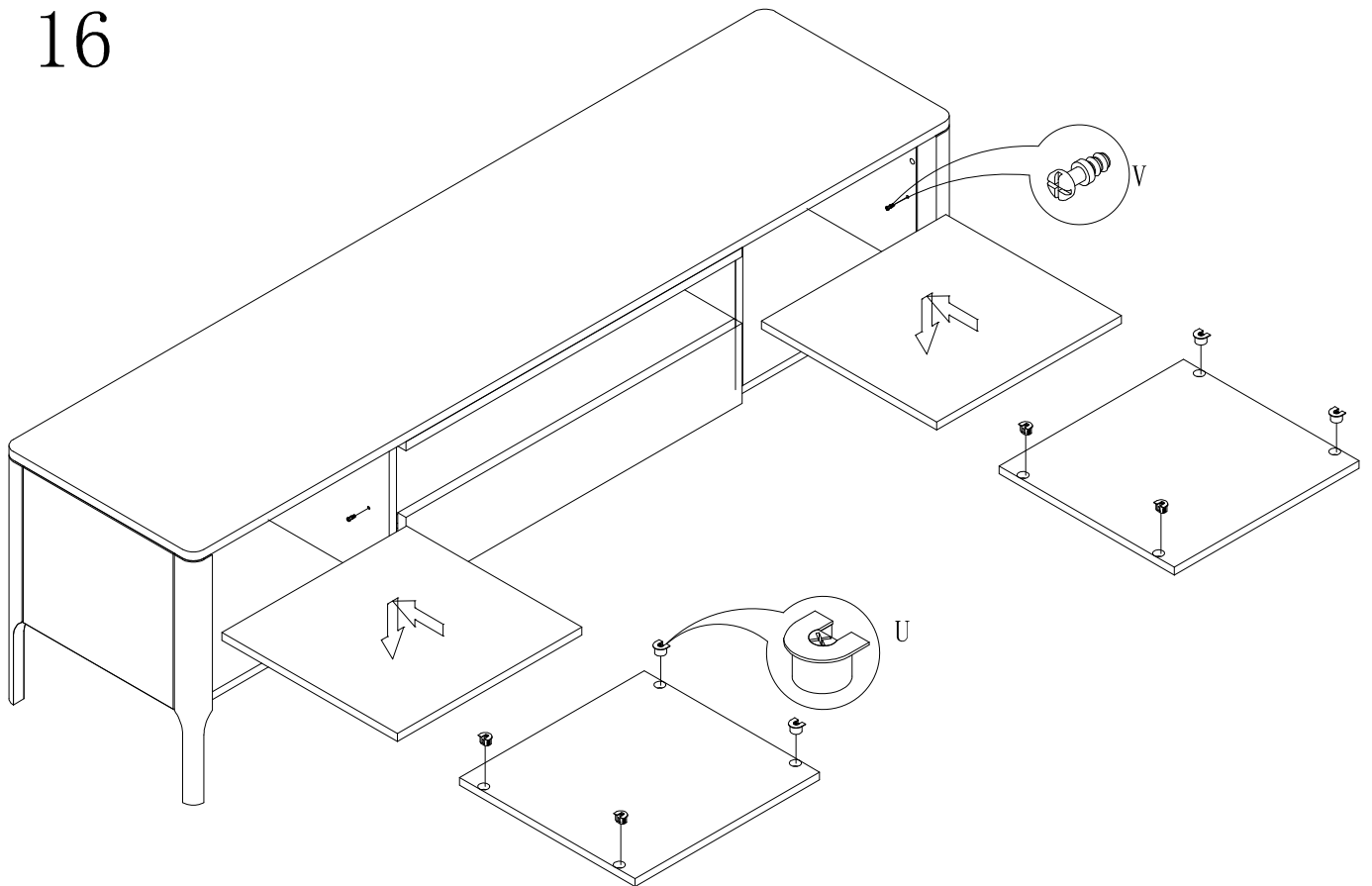
13

14

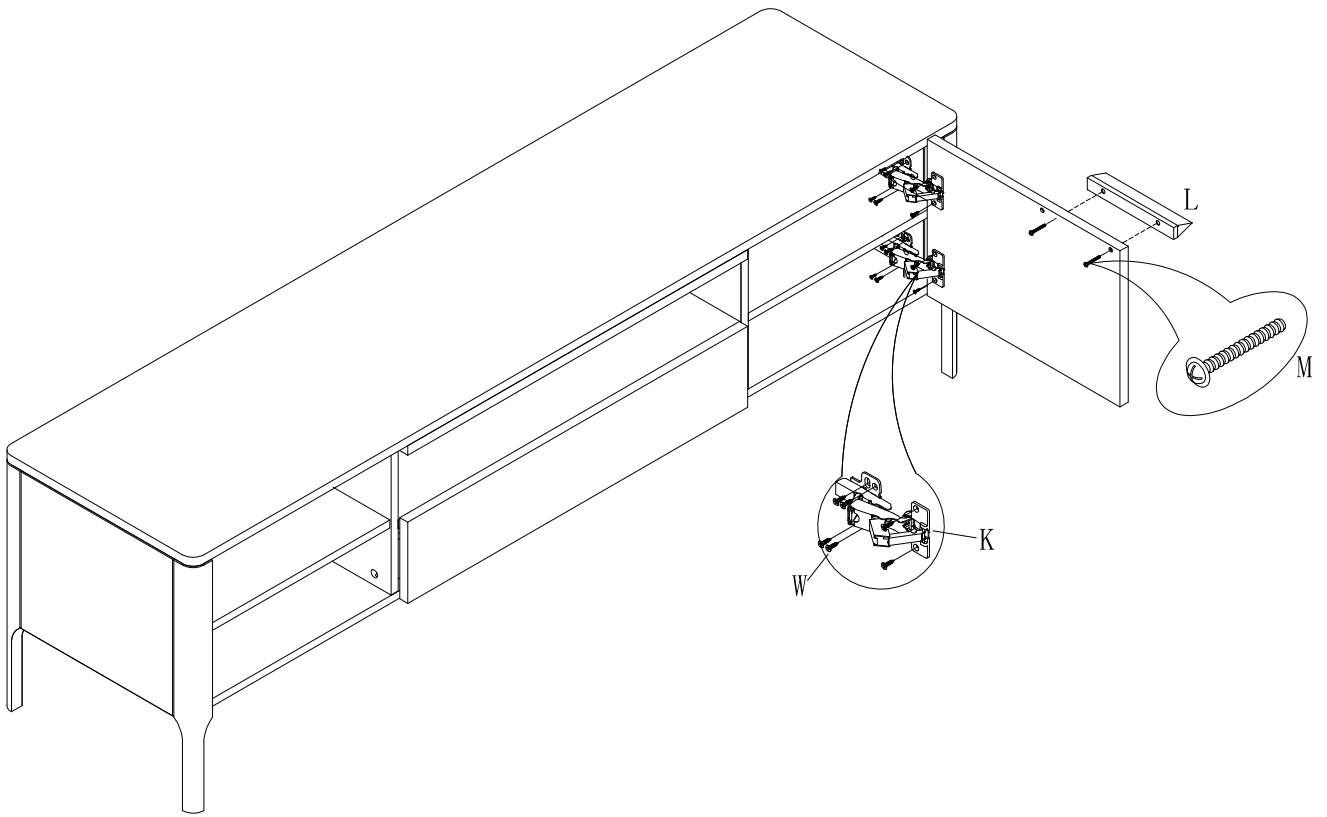




15



16



17

18

