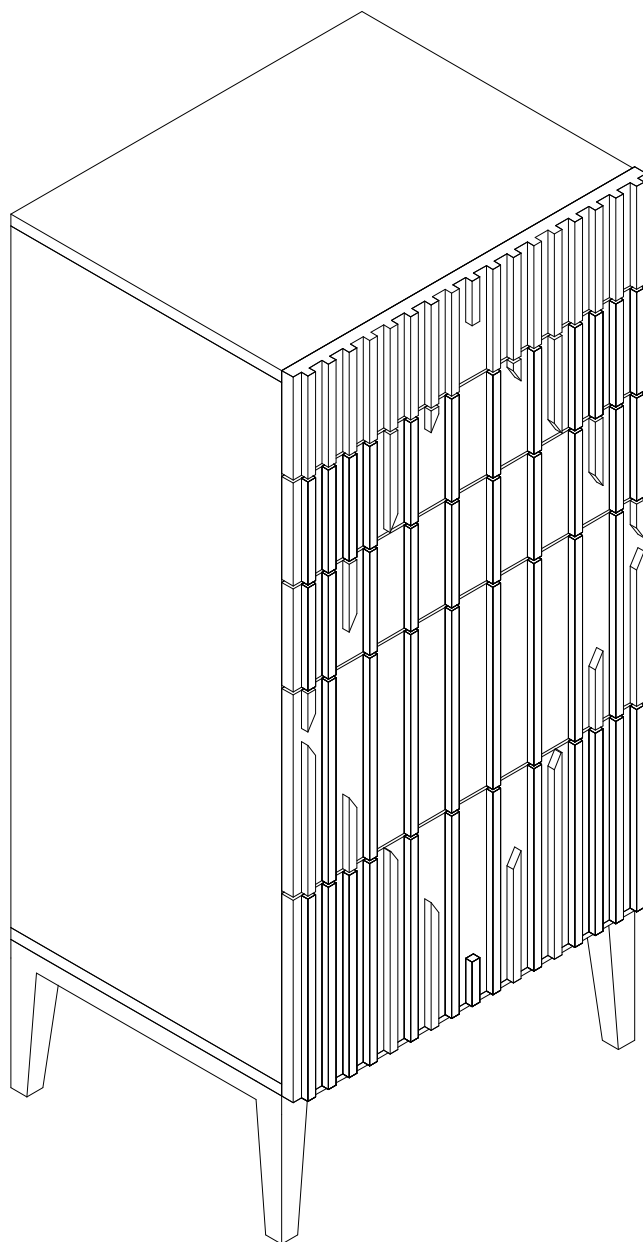
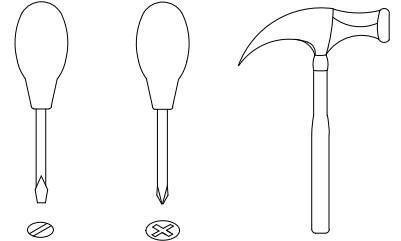
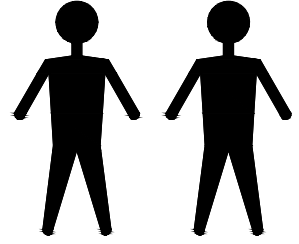


MOD
interiors
CP1903A

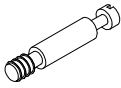


EAC

CP1903A



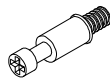
A x12
Spec: $\phi 8 \times 30$



B x12
Spec: $\phi 7 \times L30$



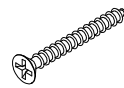
C x12
Spec: $\phi 15 \times H12$



D x20
Spec: $\phi 6 \times L28$



E x20
Spec: $\phi 12 \times H9$



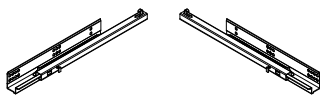
F x20
Spec: $\phi 3.5 \times L35$



G x22
Spec: $\phi 6 \times 30$



H x30
Spec: $\phi 6 \times L8$



I x5
Spec: L350



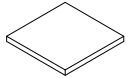
J x12
Spec: $\phi 3.5 \times L16$



K x12
Spec: H13



L x8
Spec: $3.8 \times L16$



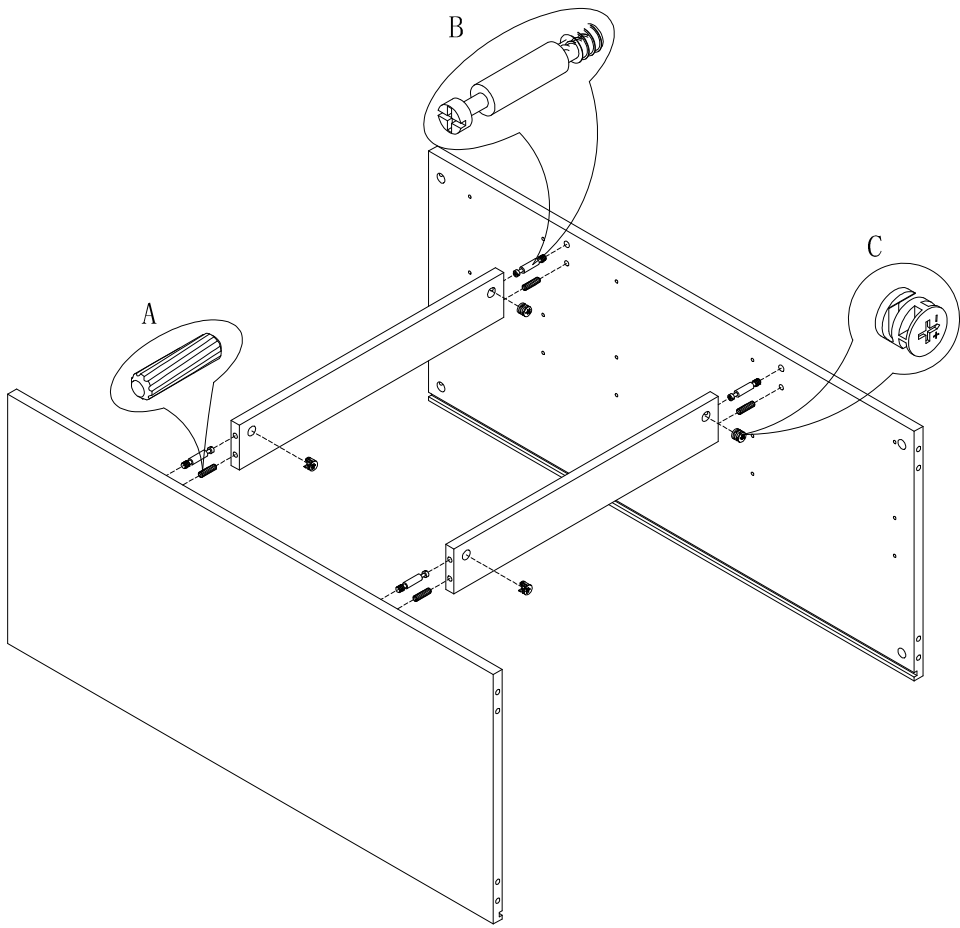
M x4
Spec: 20×20



N x32
Spec:

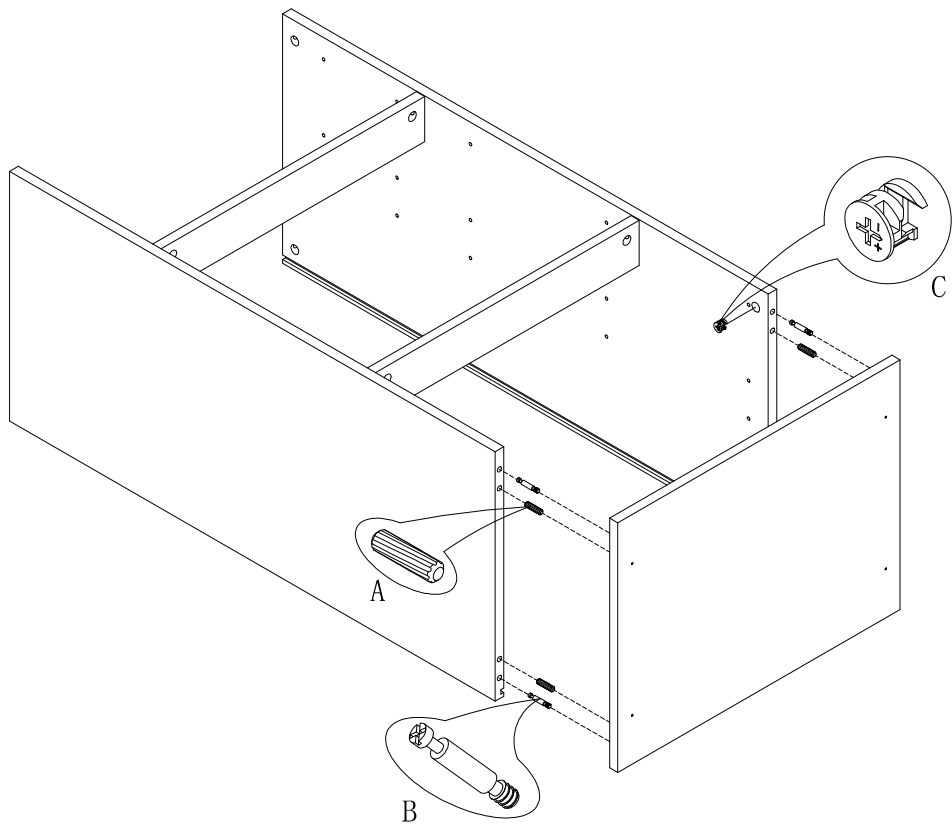


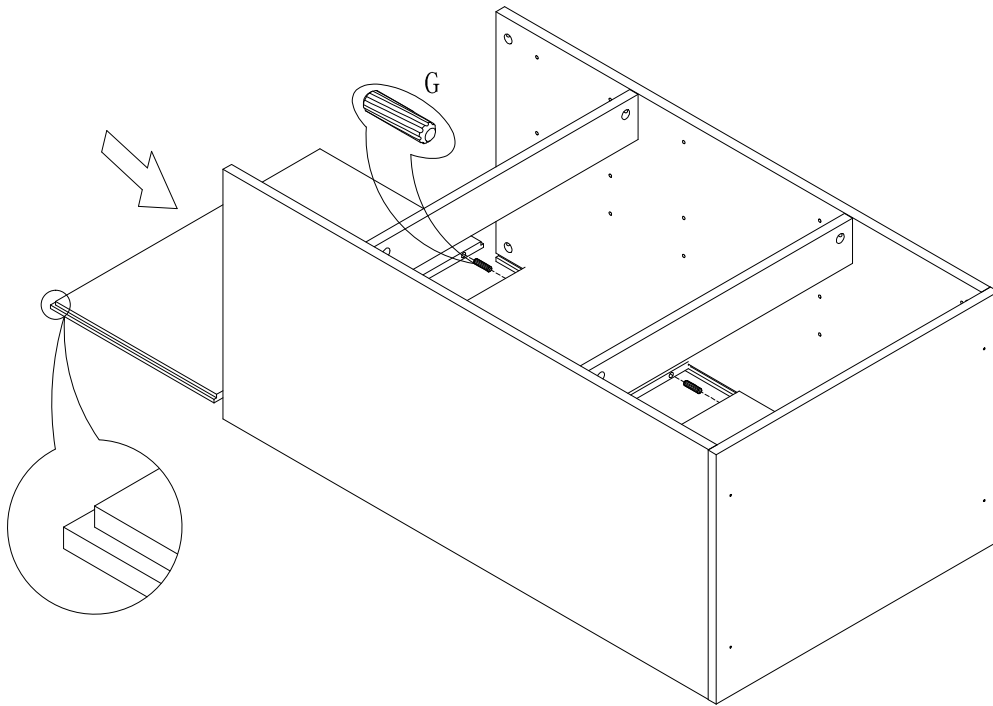
AAA x20
Spec: $\phi 3.8 \times L12$



1

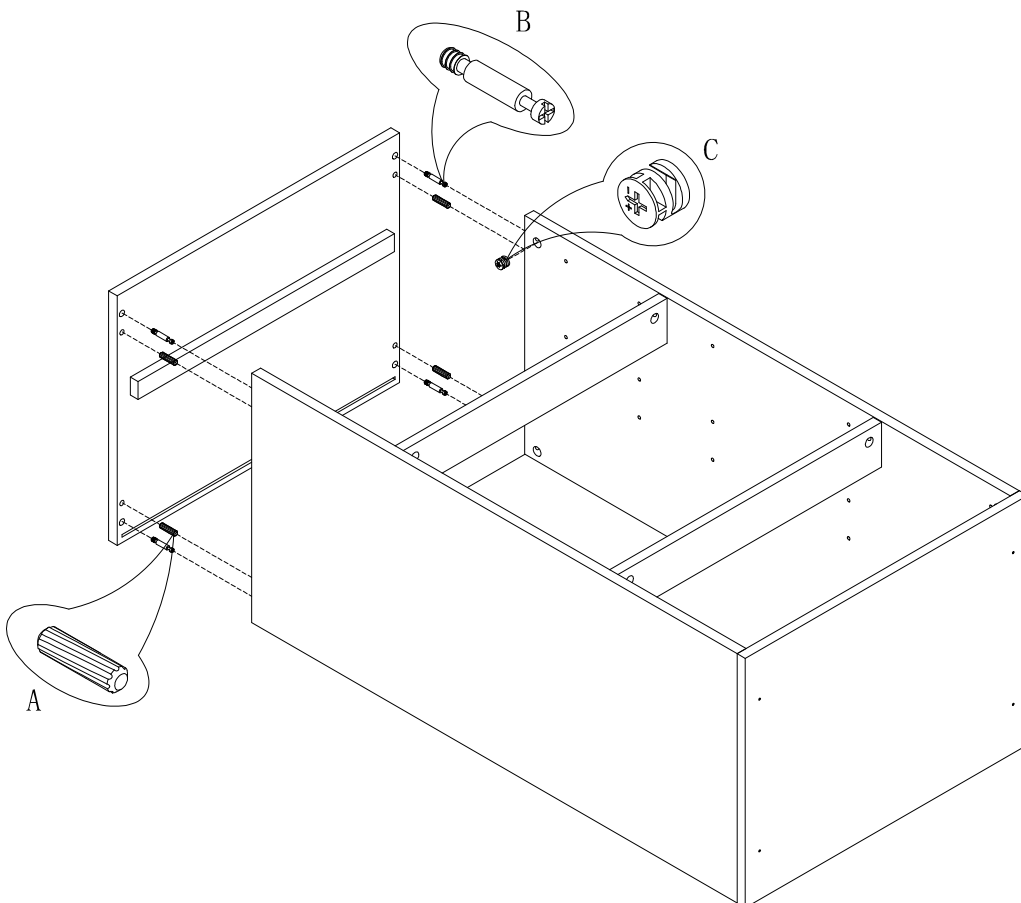
2

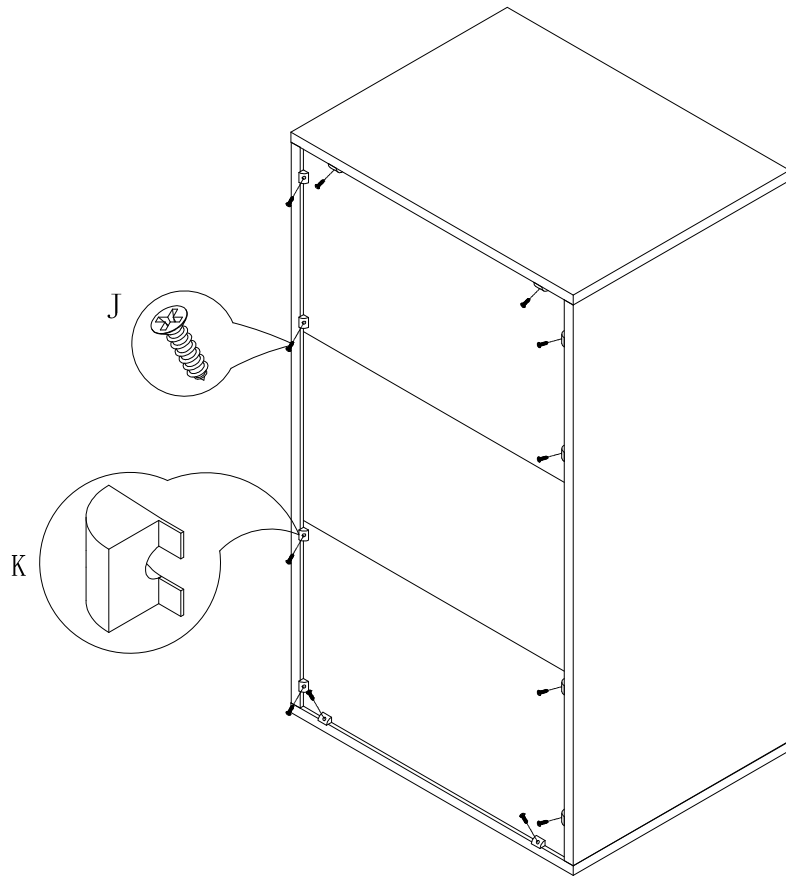




3

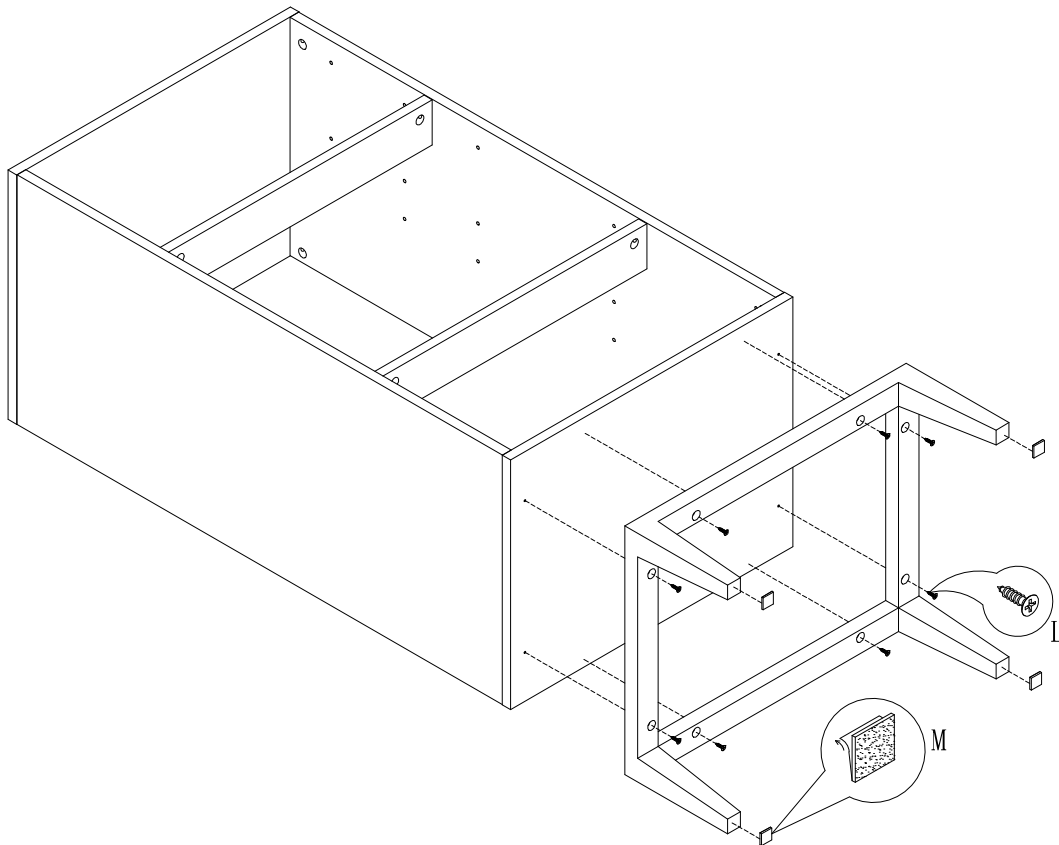
4

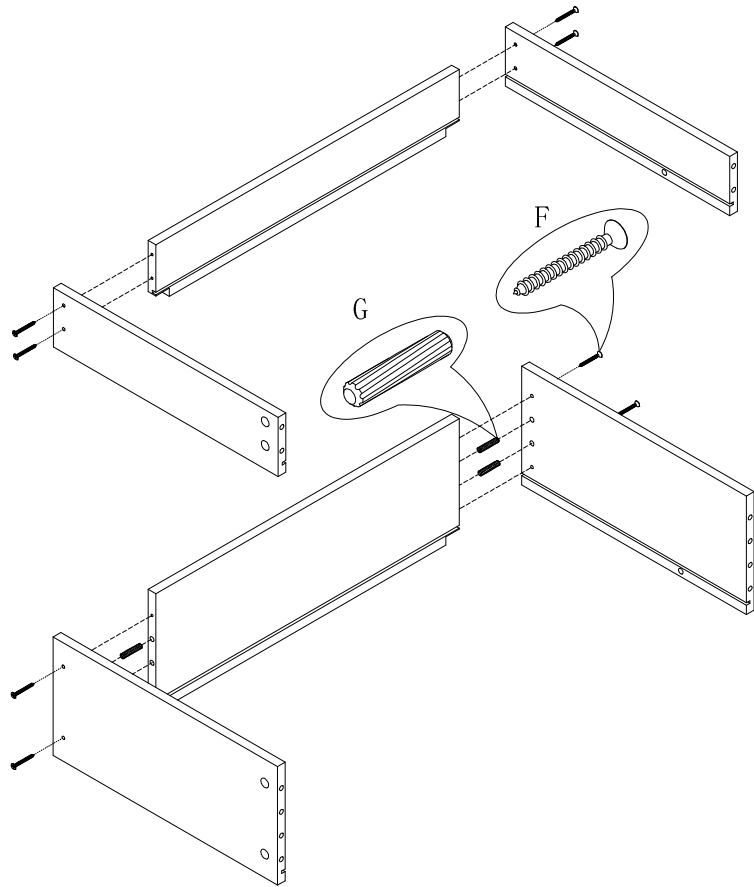




5

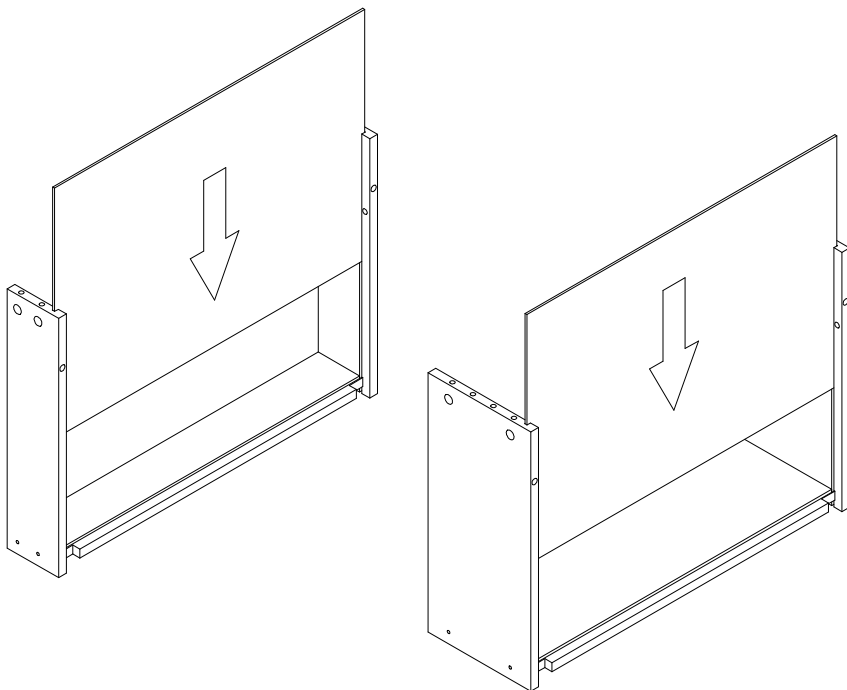
6

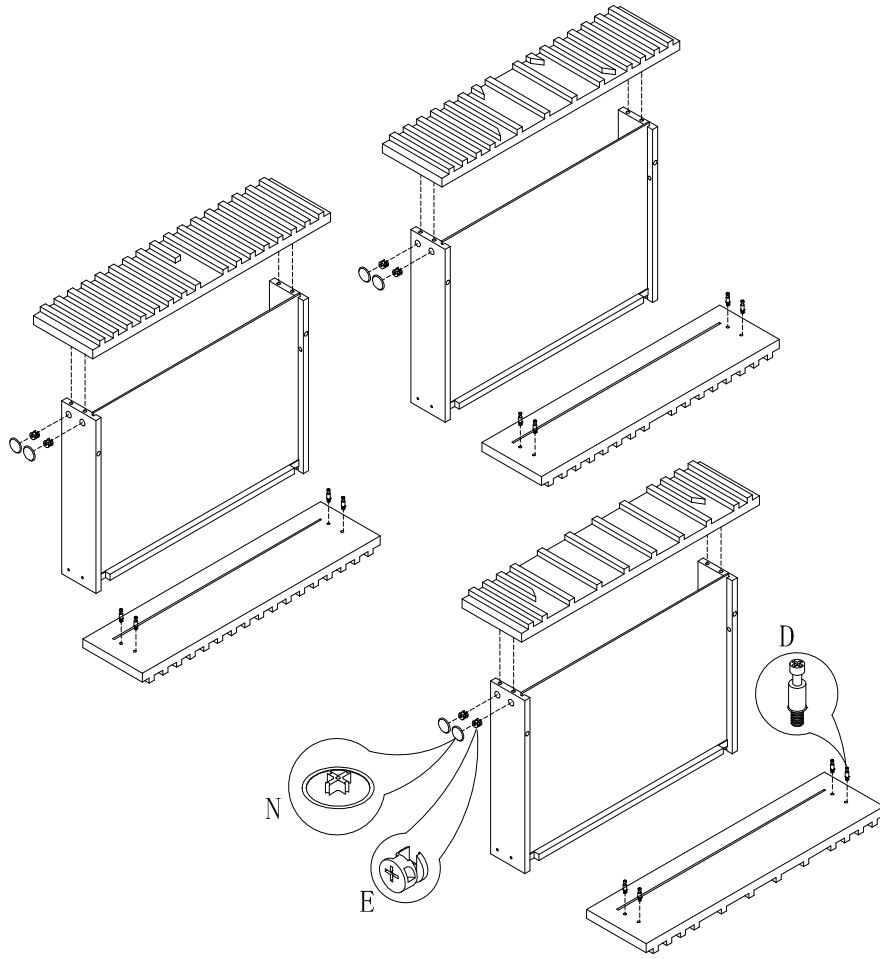




7

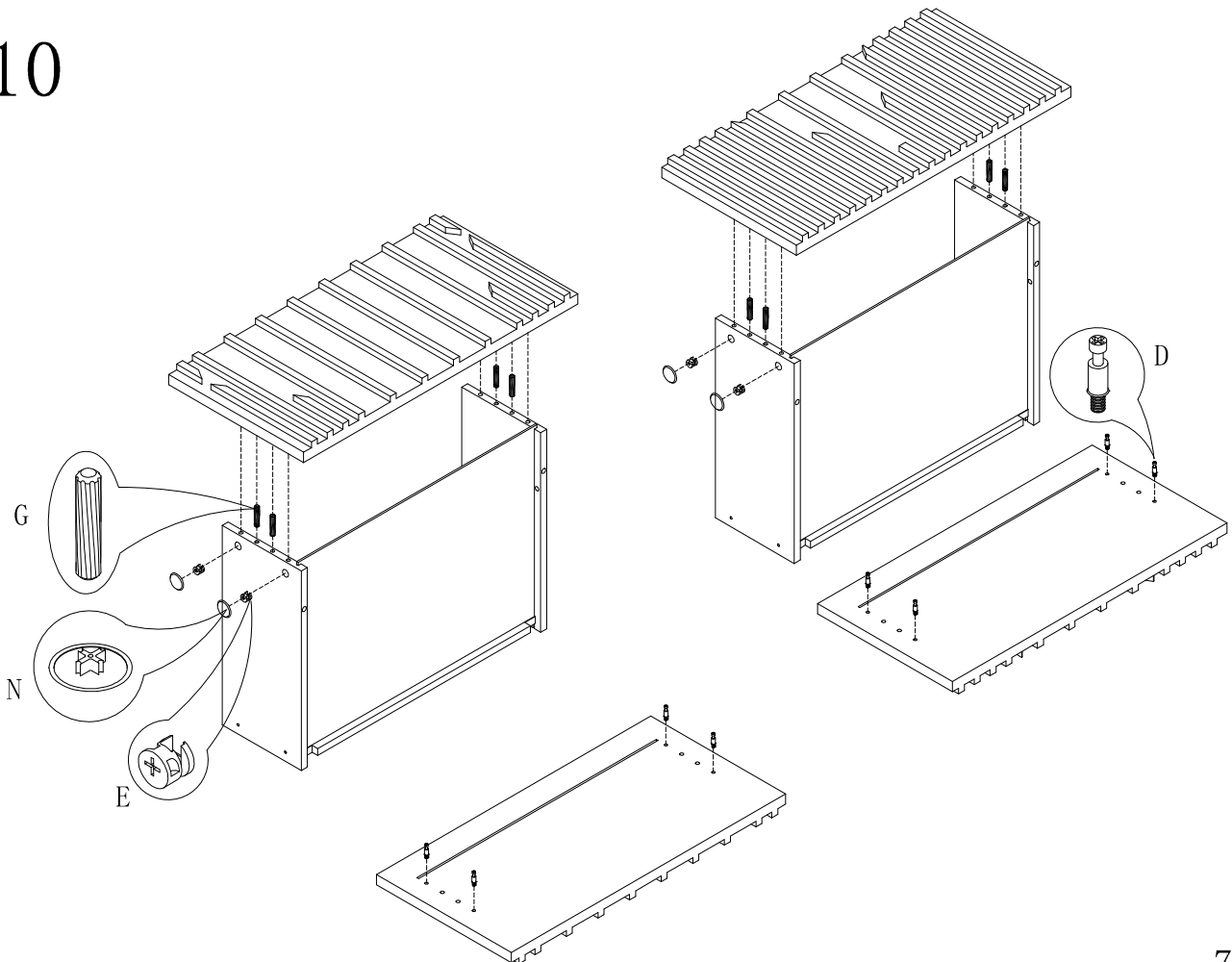
8

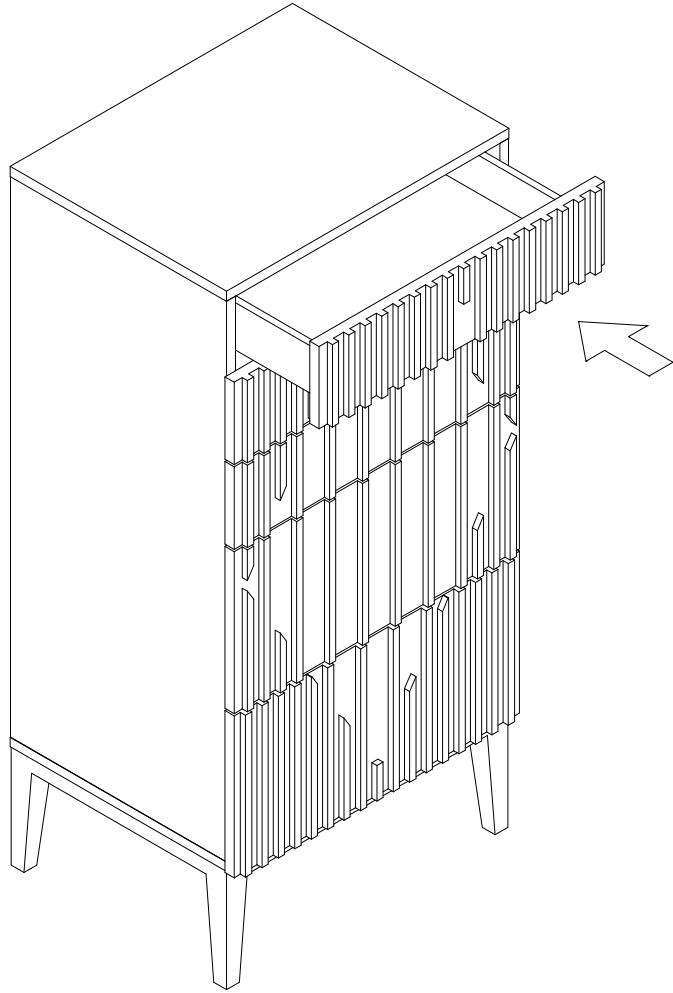




9

10





11
