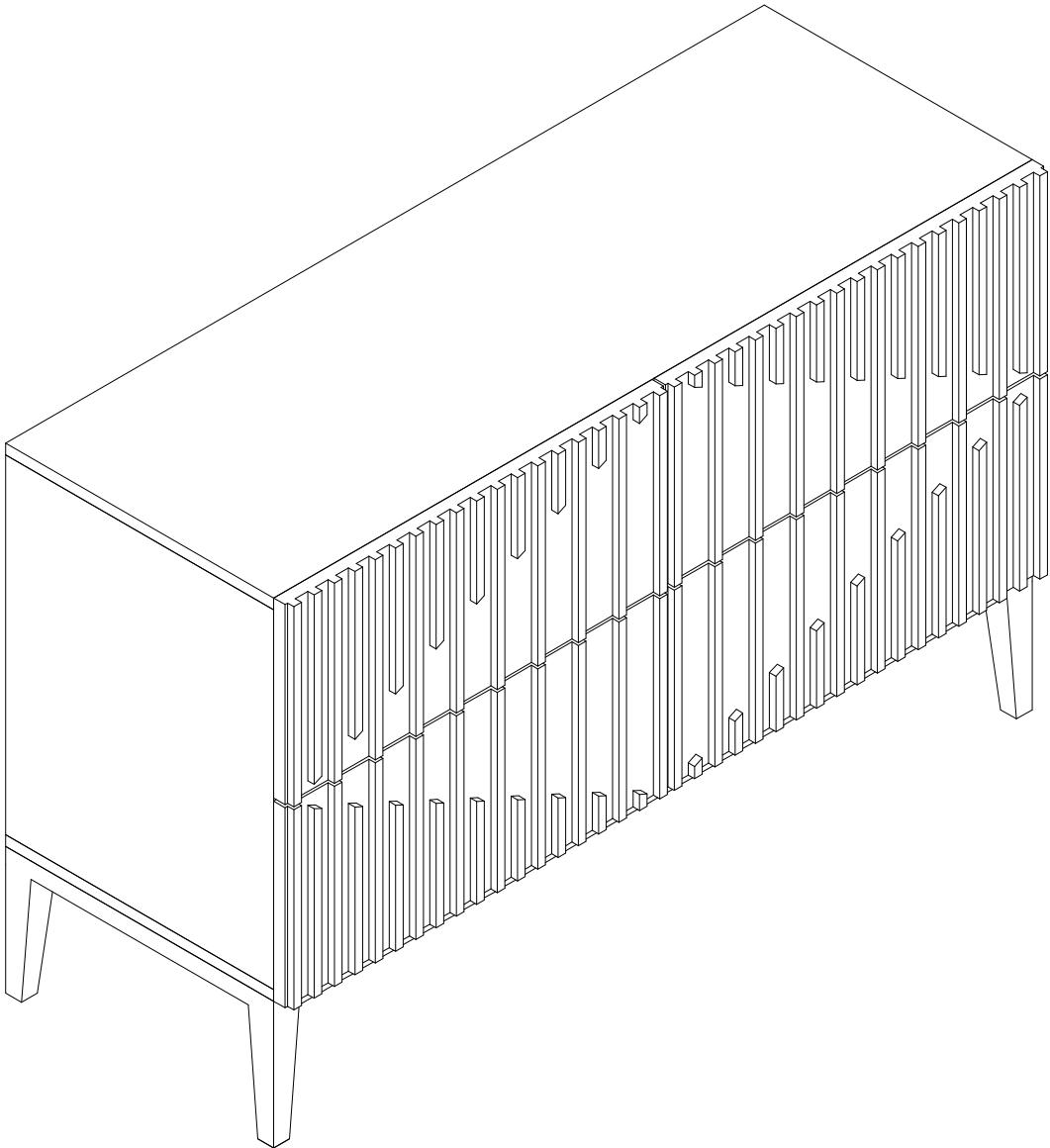


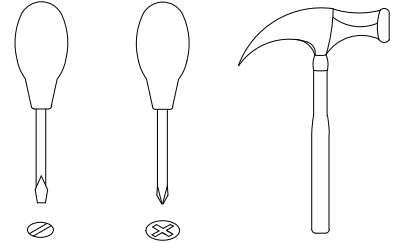
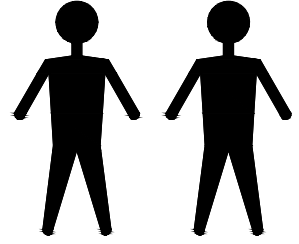
MOD  
interiors

# CP1903C

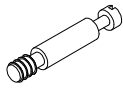


**EAC**

# # CP1903C



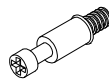
A x16  
Spec:  $\varnothing 8 \times 30$



B x14  
Spec:  $\varnothing 7 \times L30$



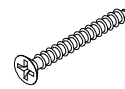
C x16  
Spec:  $\varnothing 15 \times H12$



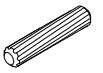
D x24  
Spec:  $\varnothing 6 \times L28$



E x24  
Spec:  $\varnothing 12 \times H9$



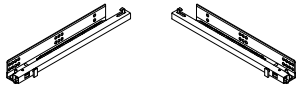
F x16  
Spec:  $\varnothing 3.5 \times L35$



G x54  
Spec:  $\varnothing 6 \times 30$



H x24  
Spec:  $\varnothing 6 \times L8$



I x4  
Spec: L350



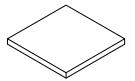
J x16  
Spec:  $\varnothing 3.5 \times L16$



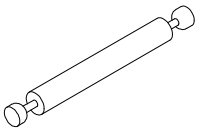
K x16  
Spec: H13



L x40  
Spec:



M x4  
Spec: 20\*20



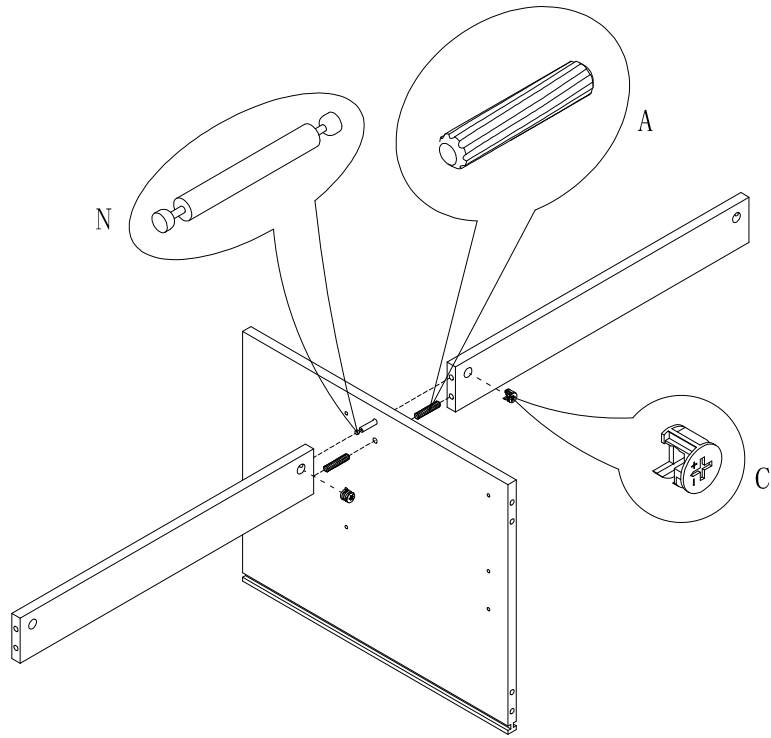
N x1  
Spec:  $\varnothing 7 \times L66$



O x14  
Spec: 3.8\*L16

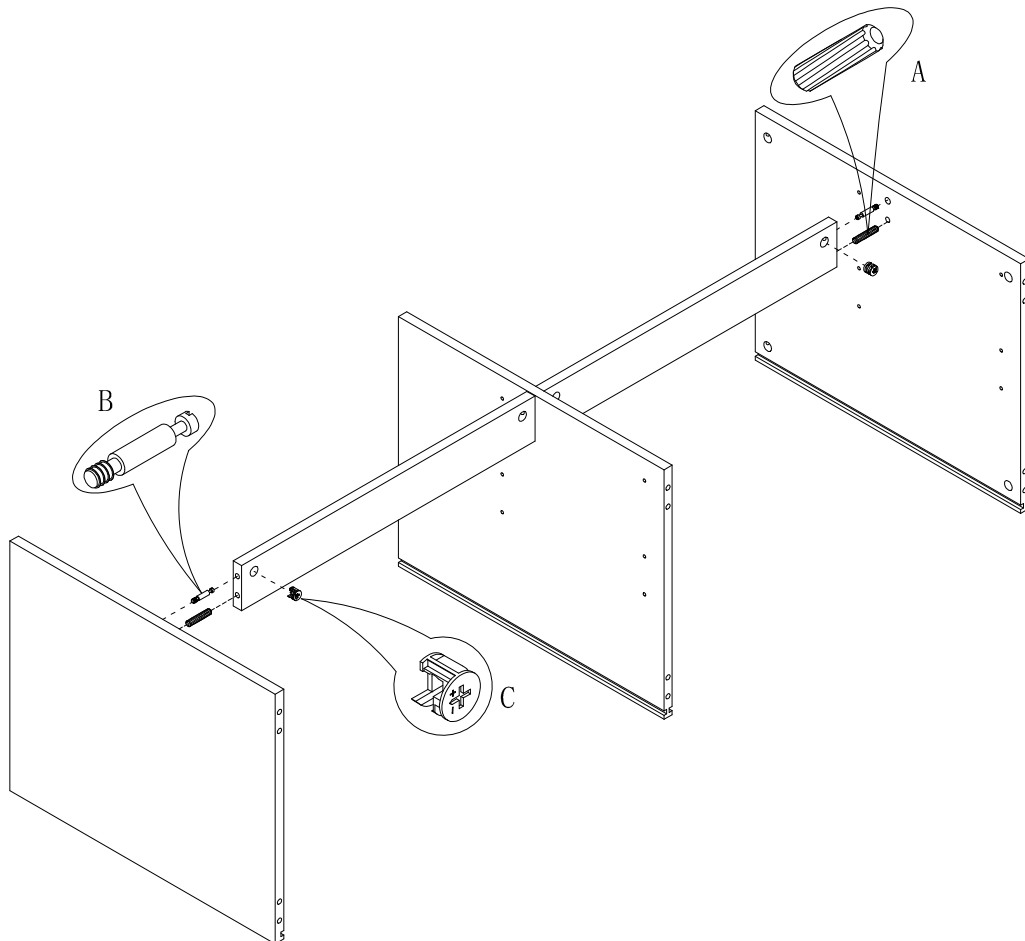


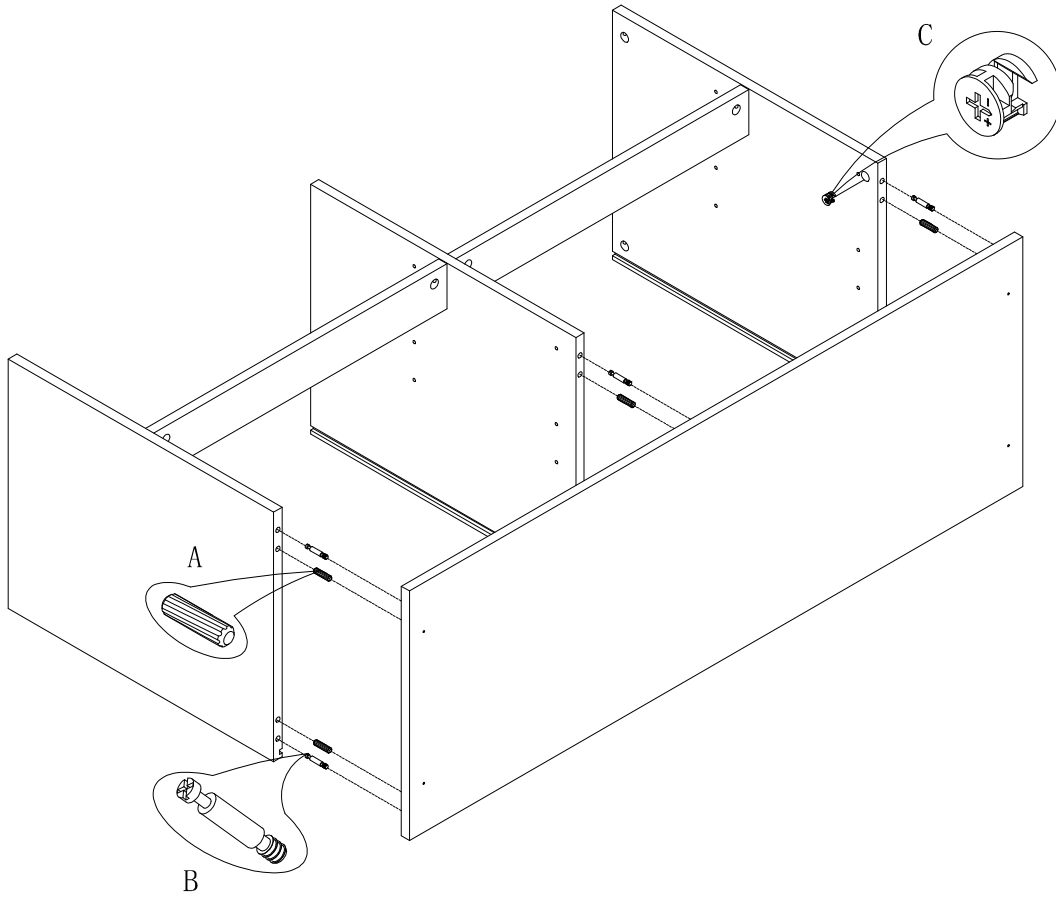
AAA x16  
Spec:  $\varnothing 3.8 \times L12$



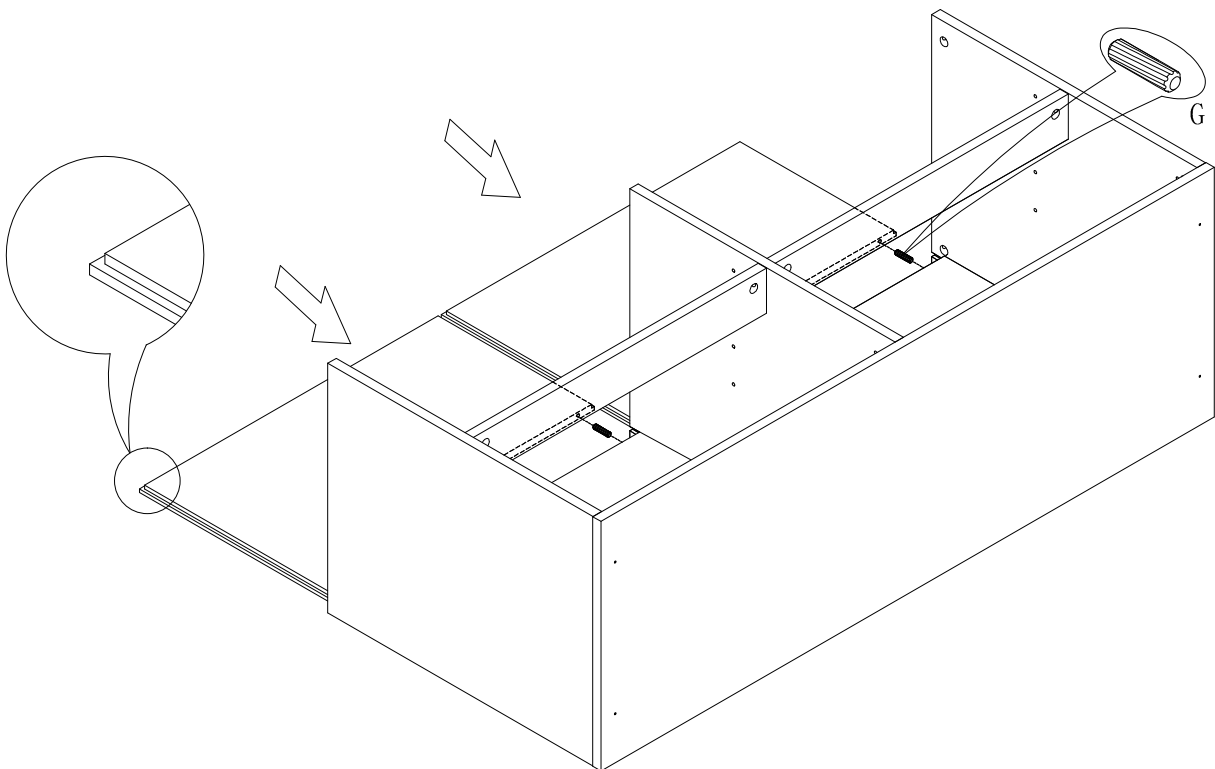
1

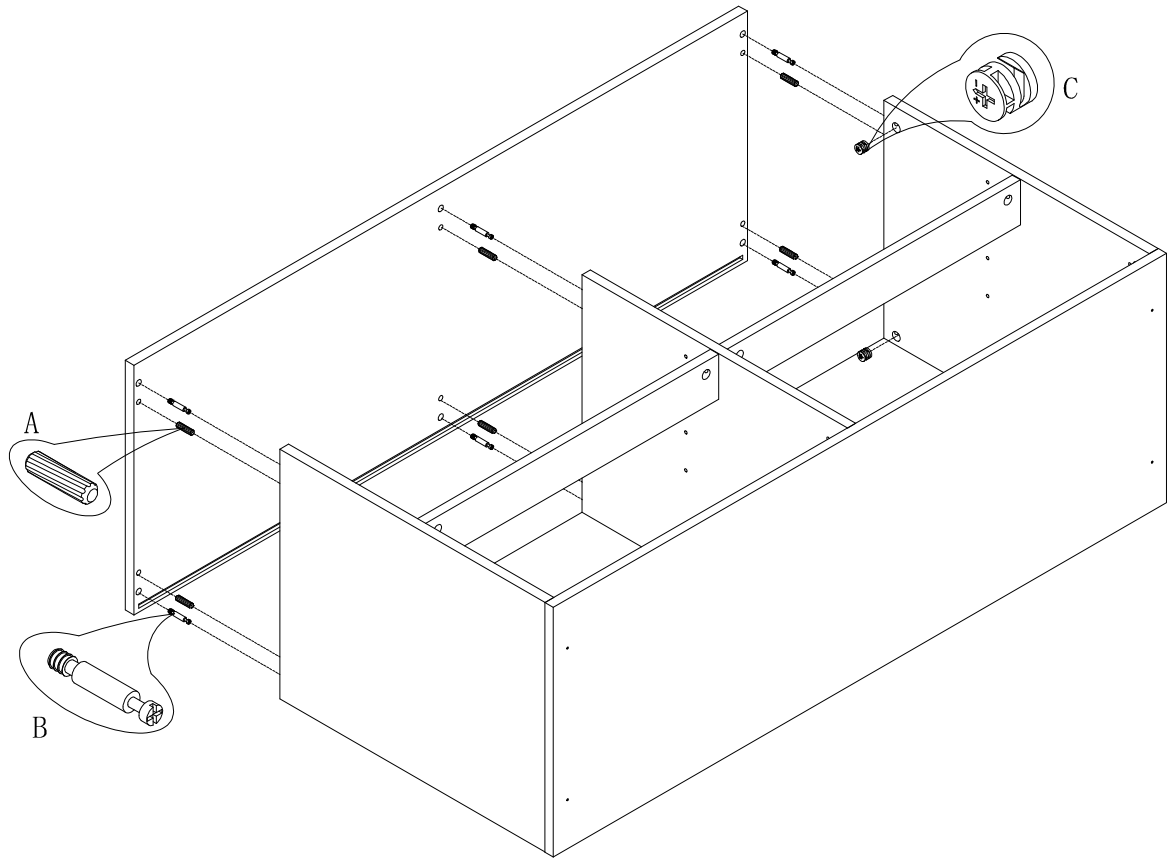
2





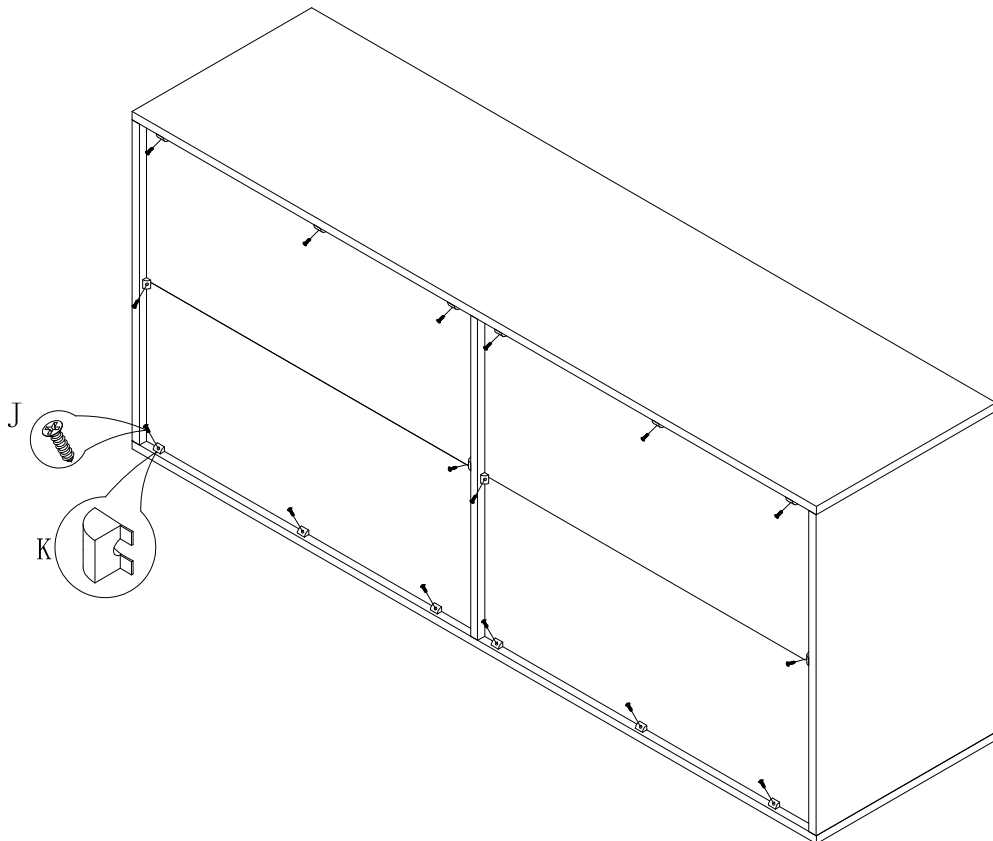
4

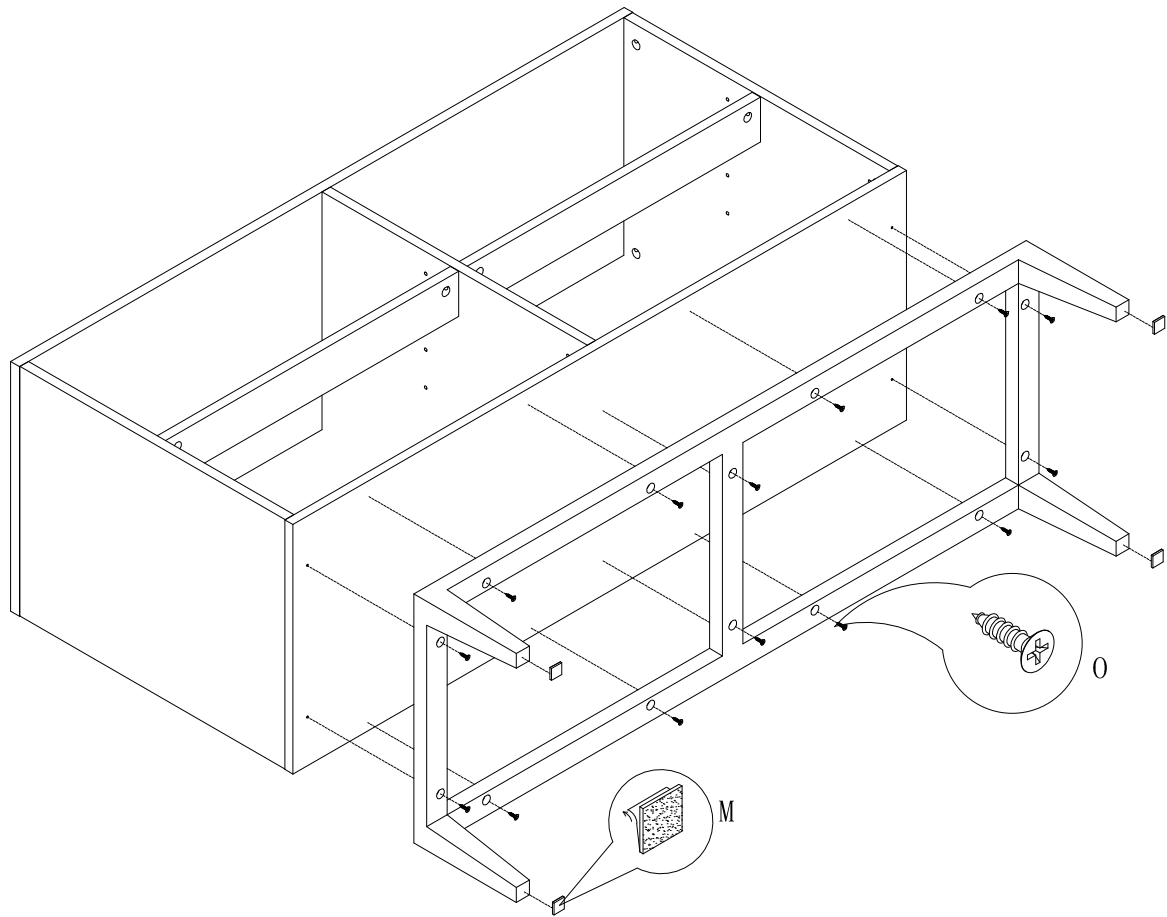




5

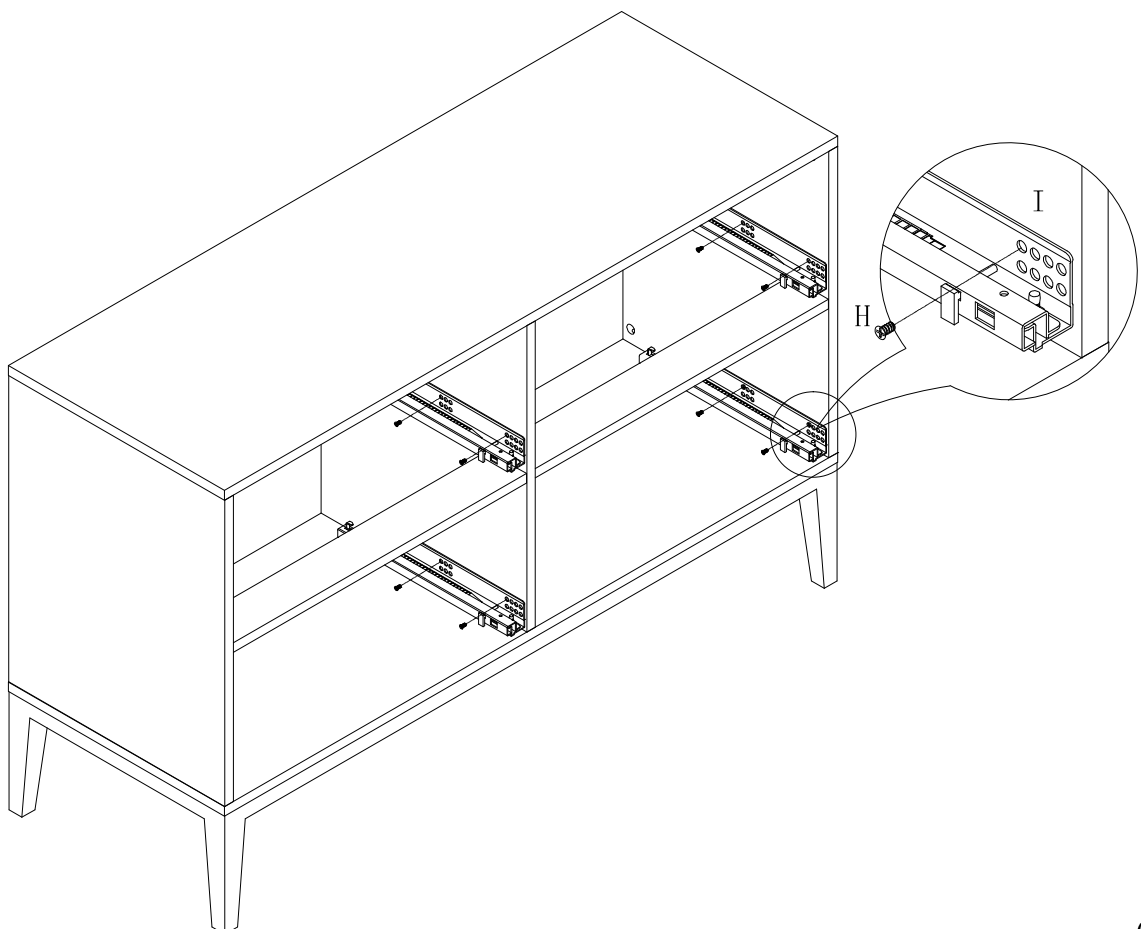
6

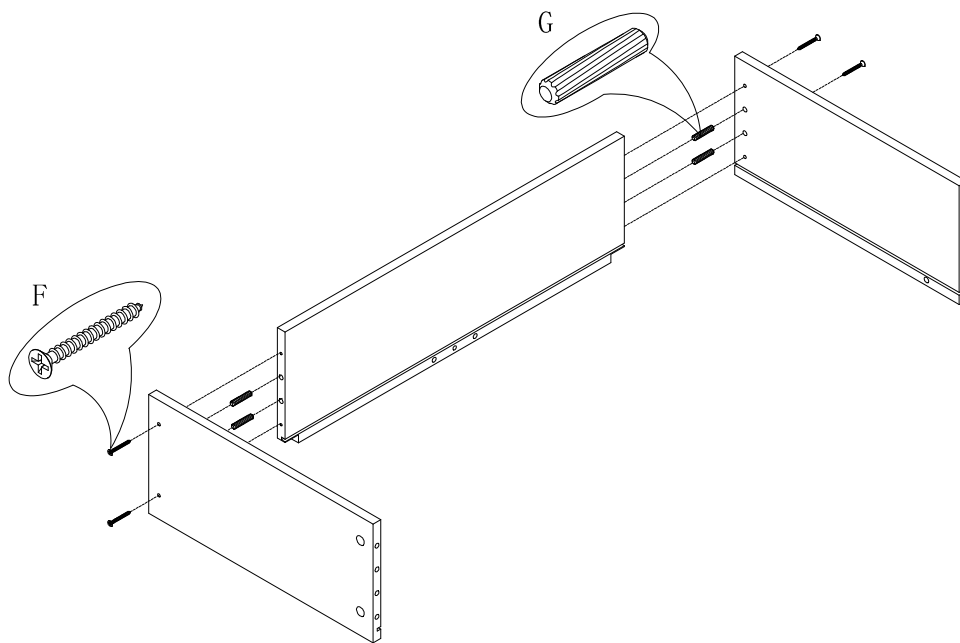




7

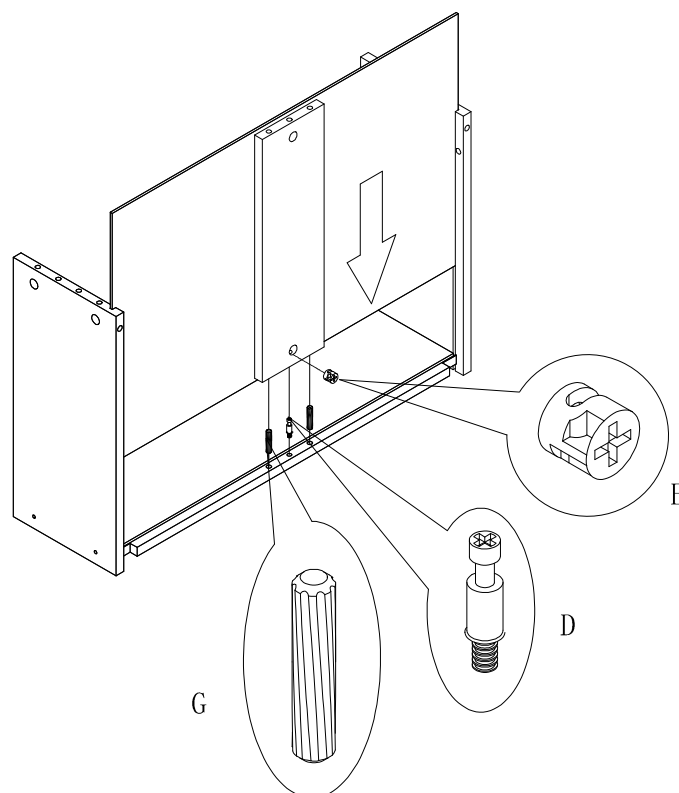
8

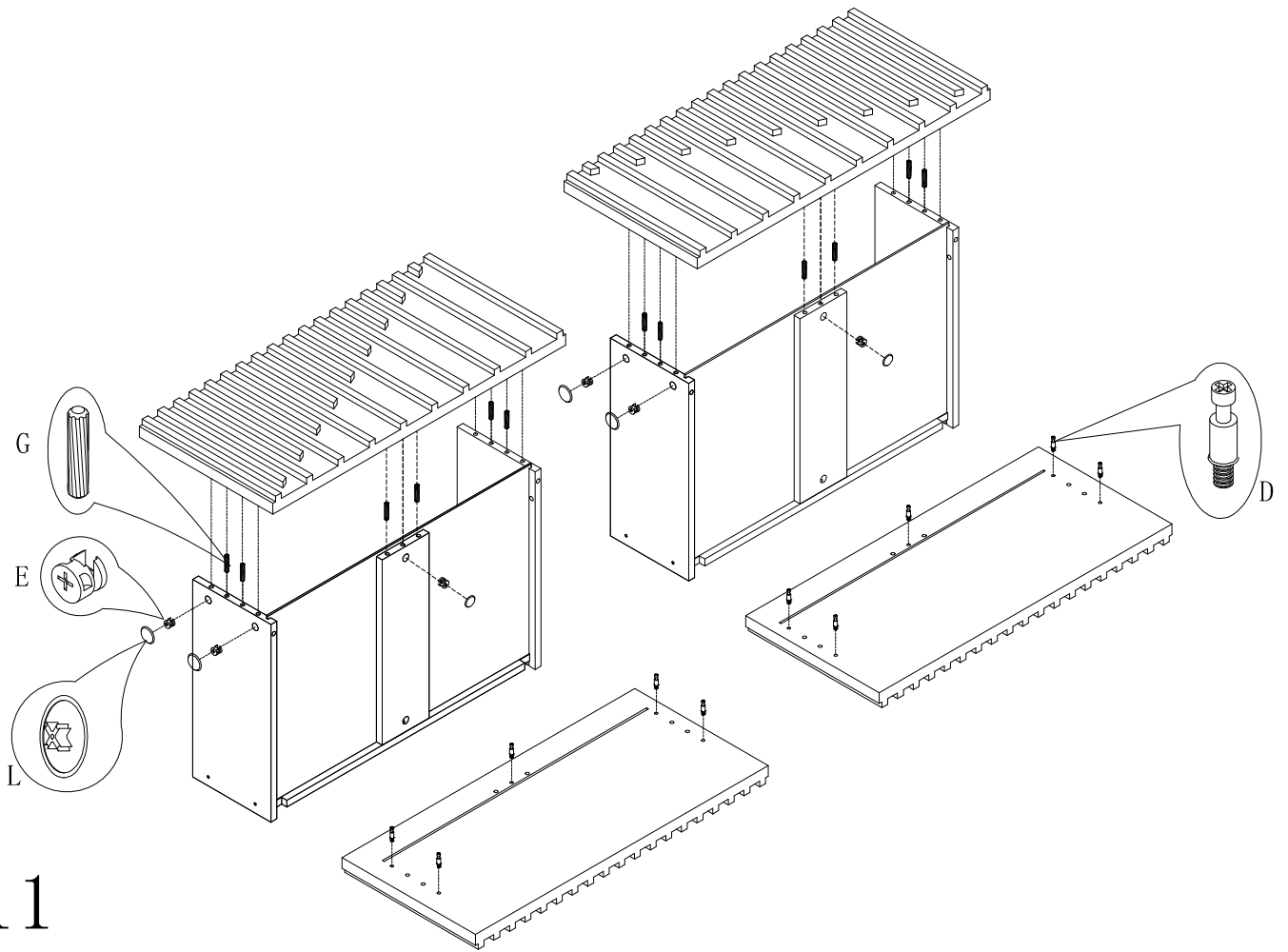




9

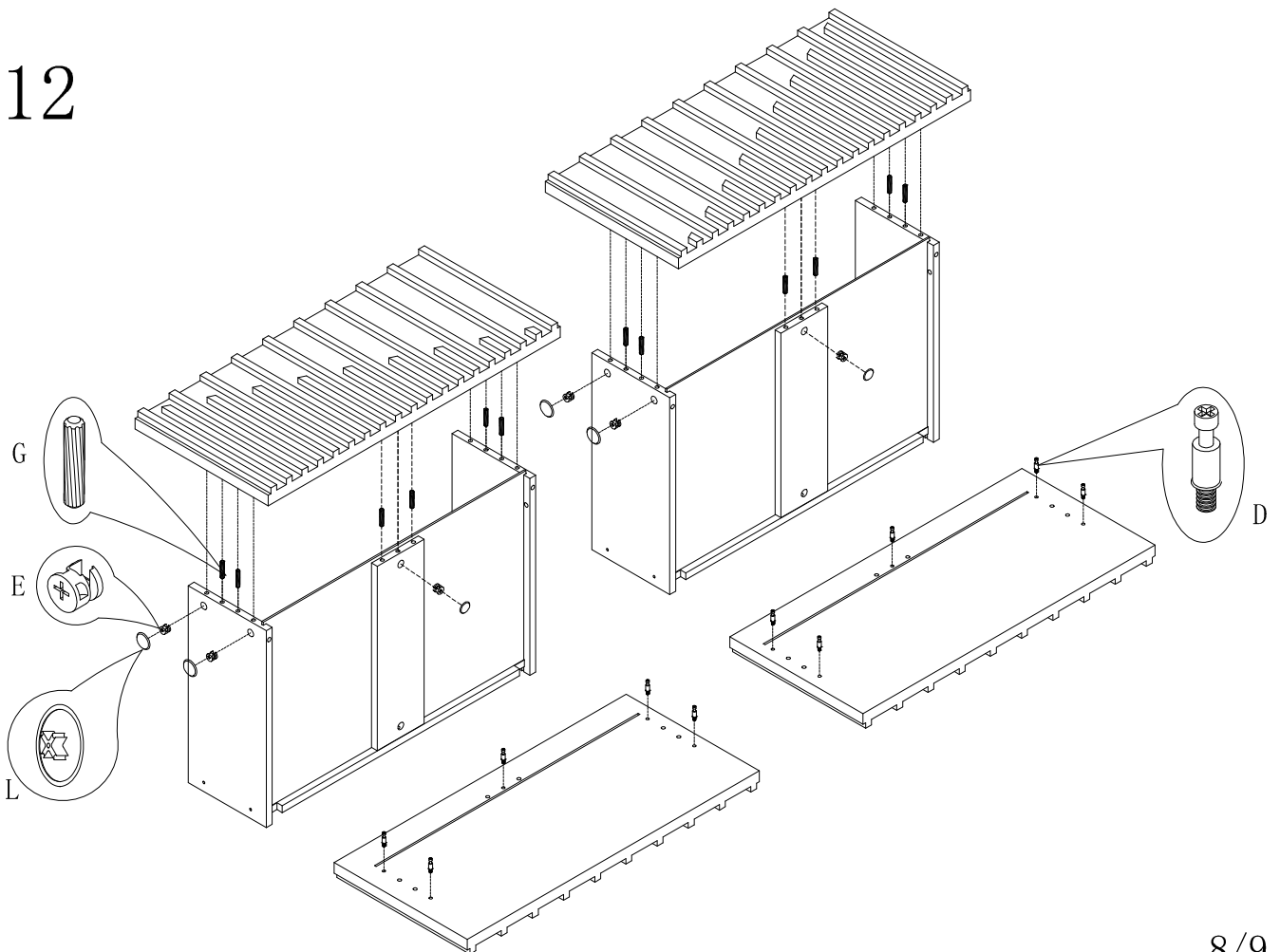
10



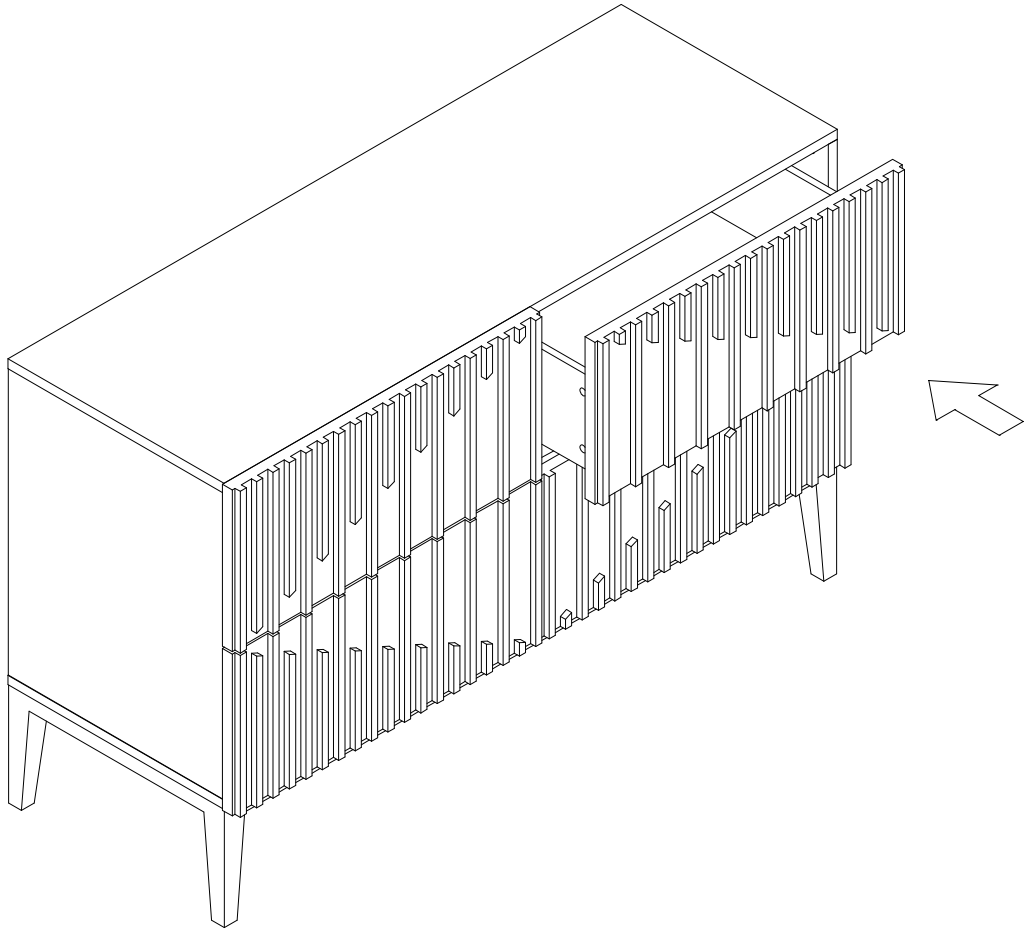


11

12







13

---