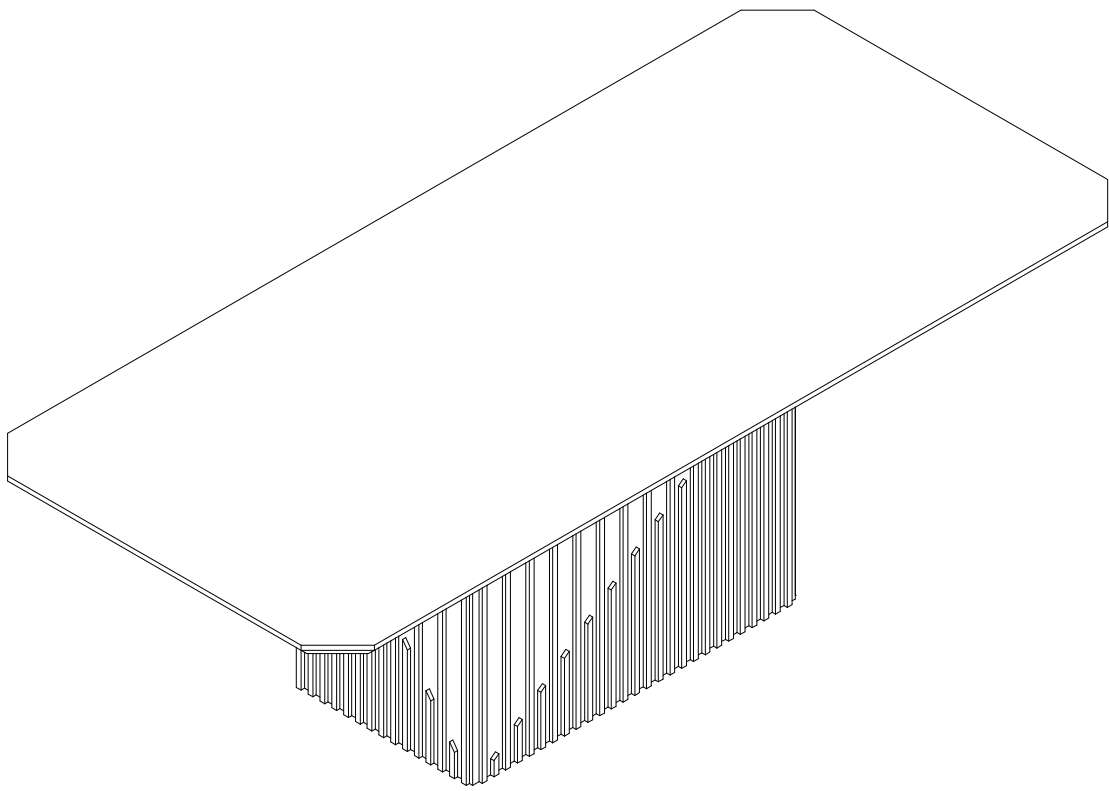


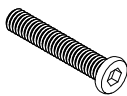
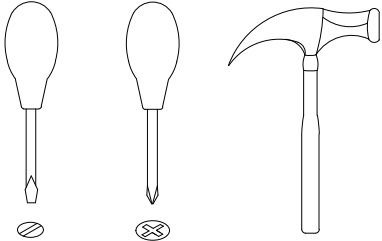
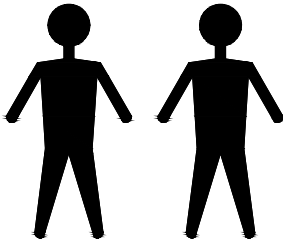


CP1903D



EAC

CP1903D



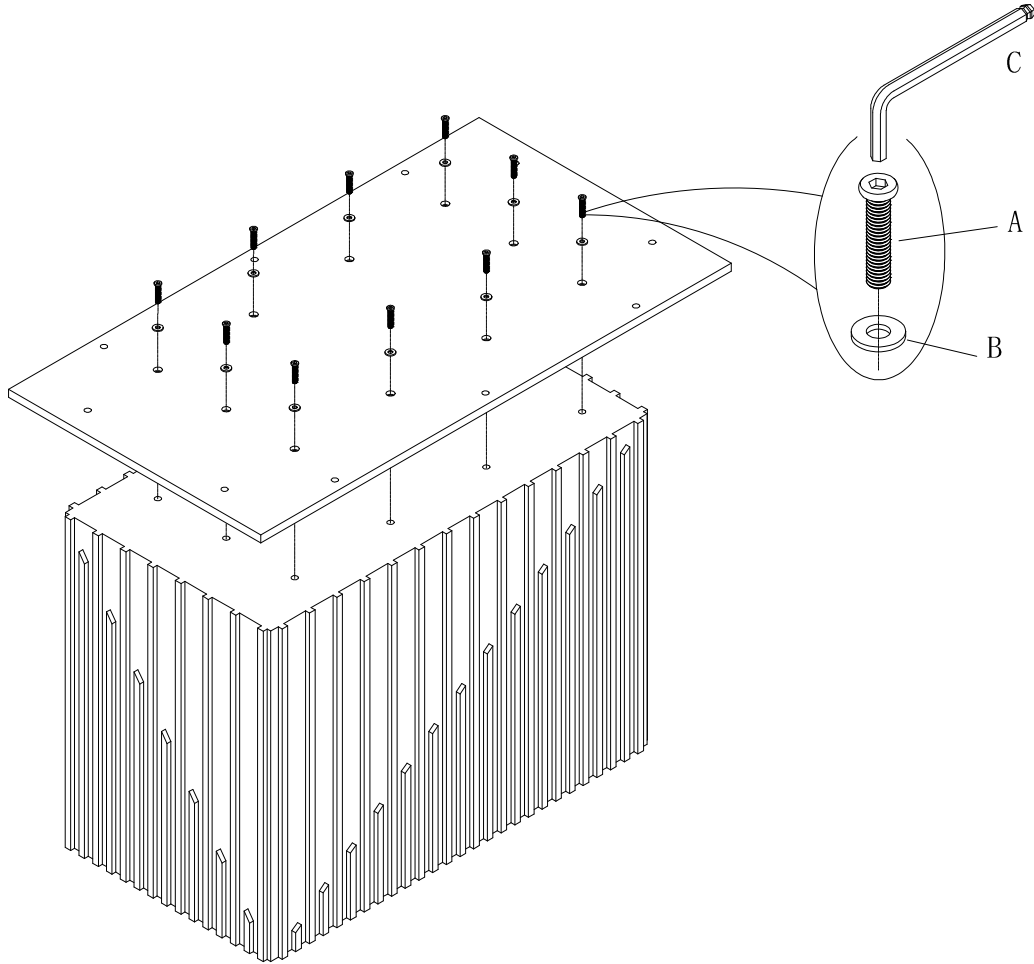
A x20
Spec: 5/16*35



B x20
Spec: $\phi 8 * \phi 18$



C x1
Spec: 5#



2

