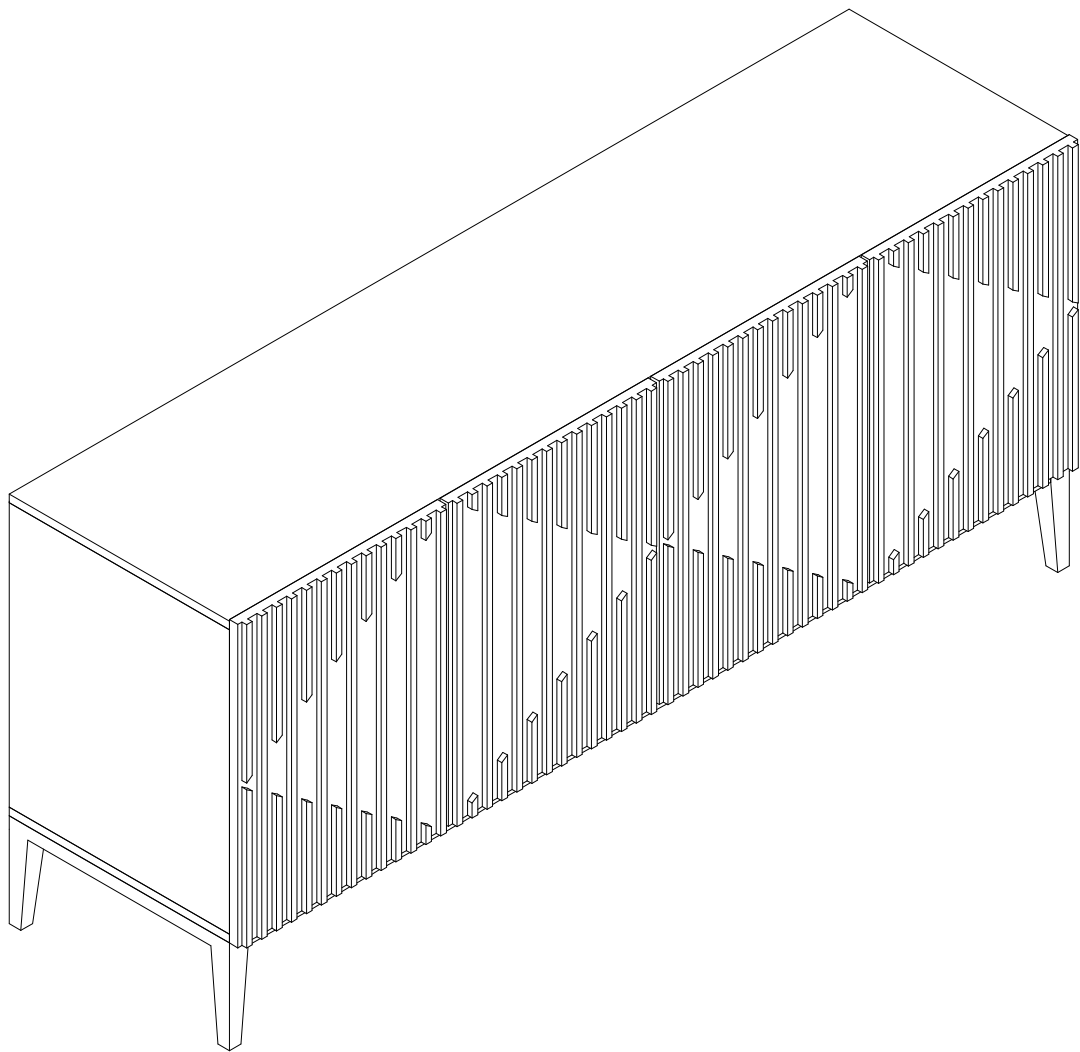


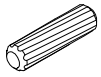
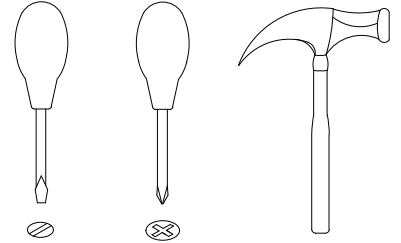
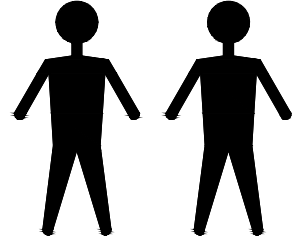
MOD
interiors

CP1903E

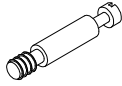


EAC

CP1903E



A x20
Spec: $\varnothing 8 \times 30$



B x20
Spec: $\varnothing 7 \times L30$



C x20
Spec: $\varnothing 15 \times H12$



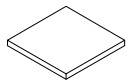
D x16
Spec: $\varnothing 5 \times L19$



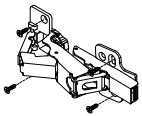
E x16
Spec: $3.8 \times L16$



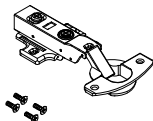
F x16
Spec: $\varnothing 20 \times H12$



H x5
Spec: 20×20



I x4
Spec: 068#



J x4
Spec:



K x8
Spec: $3.8 \times L16$



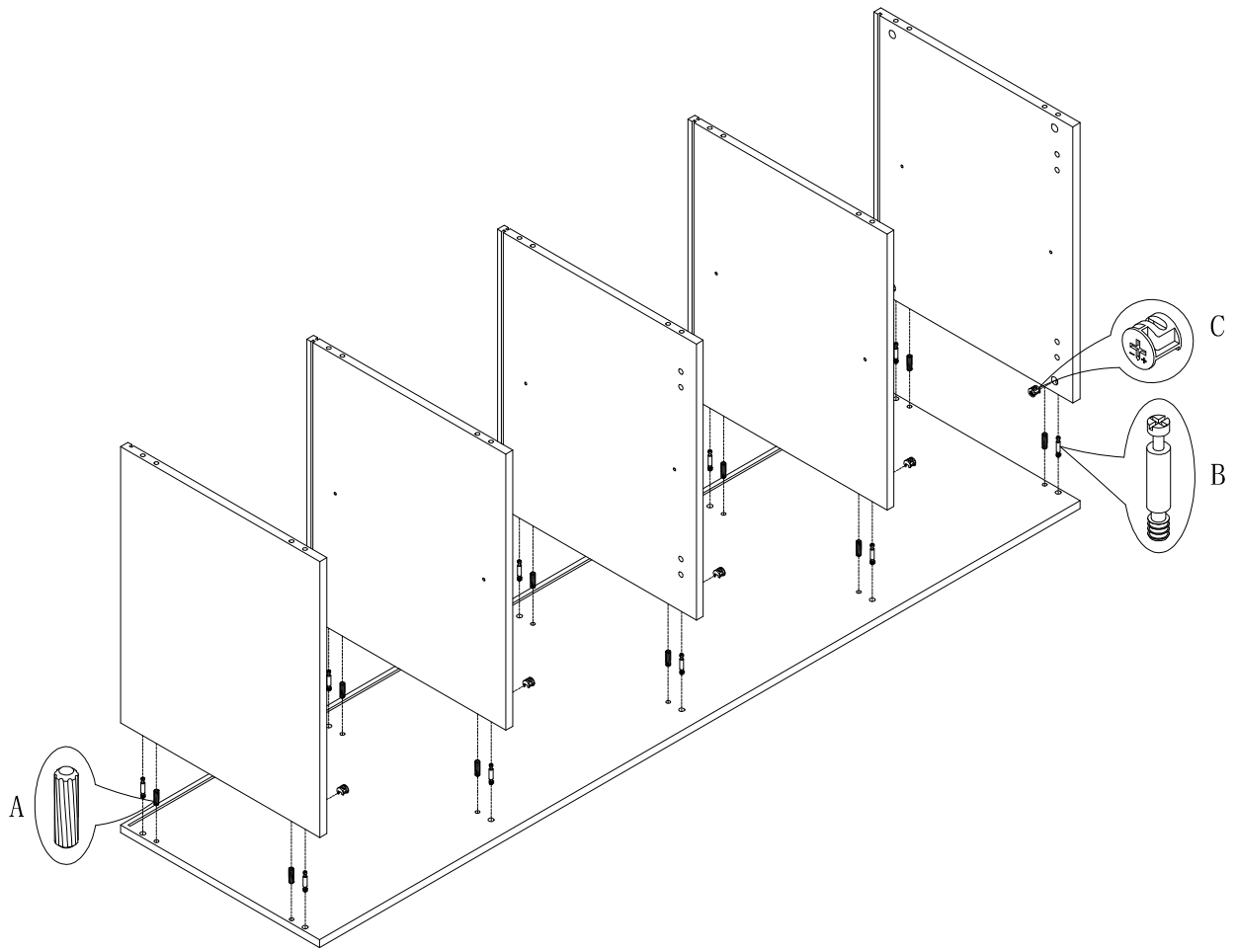
L x20
Spec:



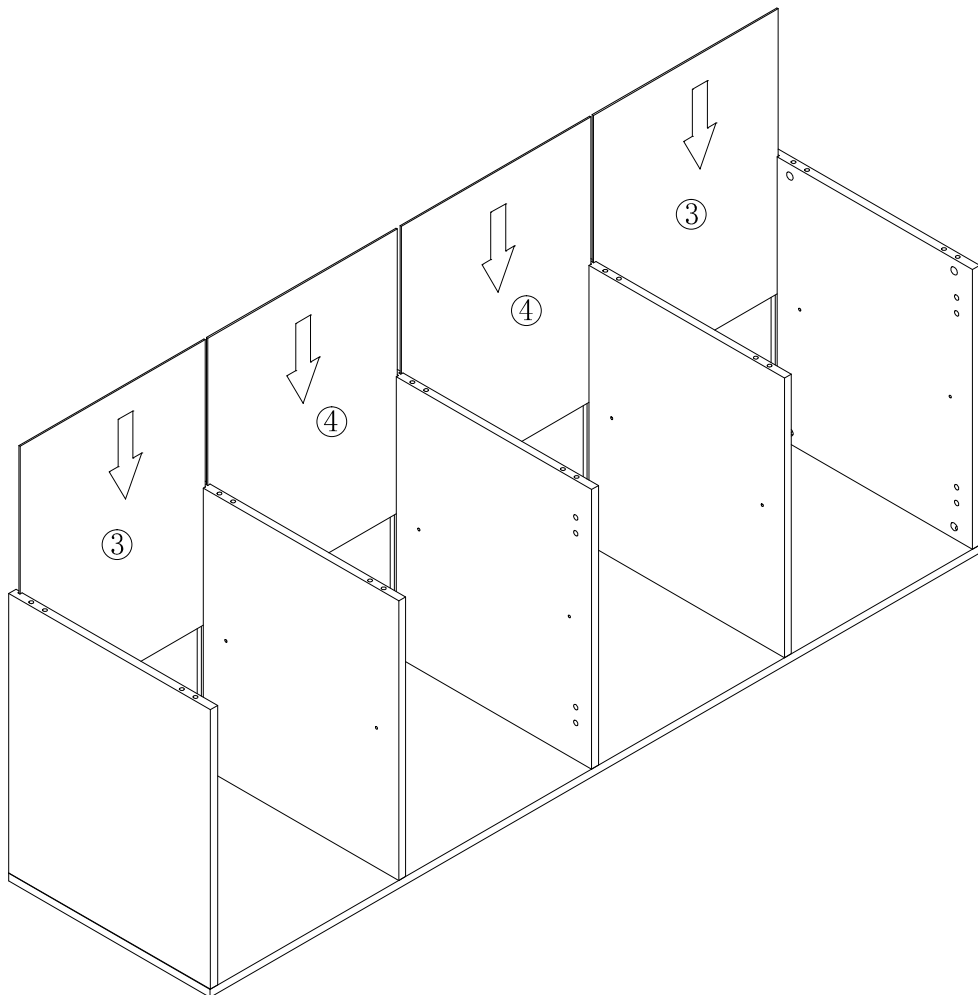
M x32
Spec: $\varnothing 3.5 \times L16$

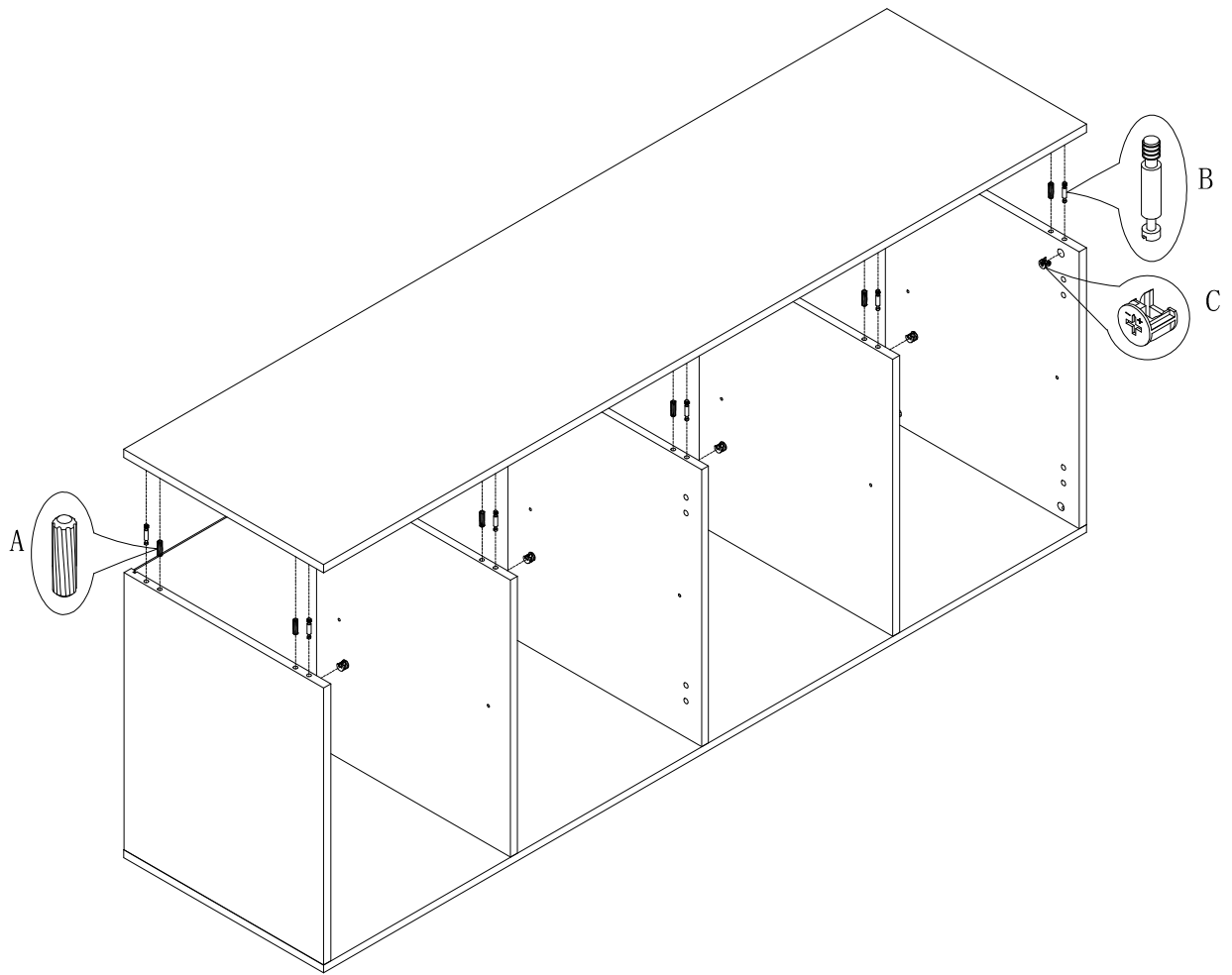


N x32
Spec: H13



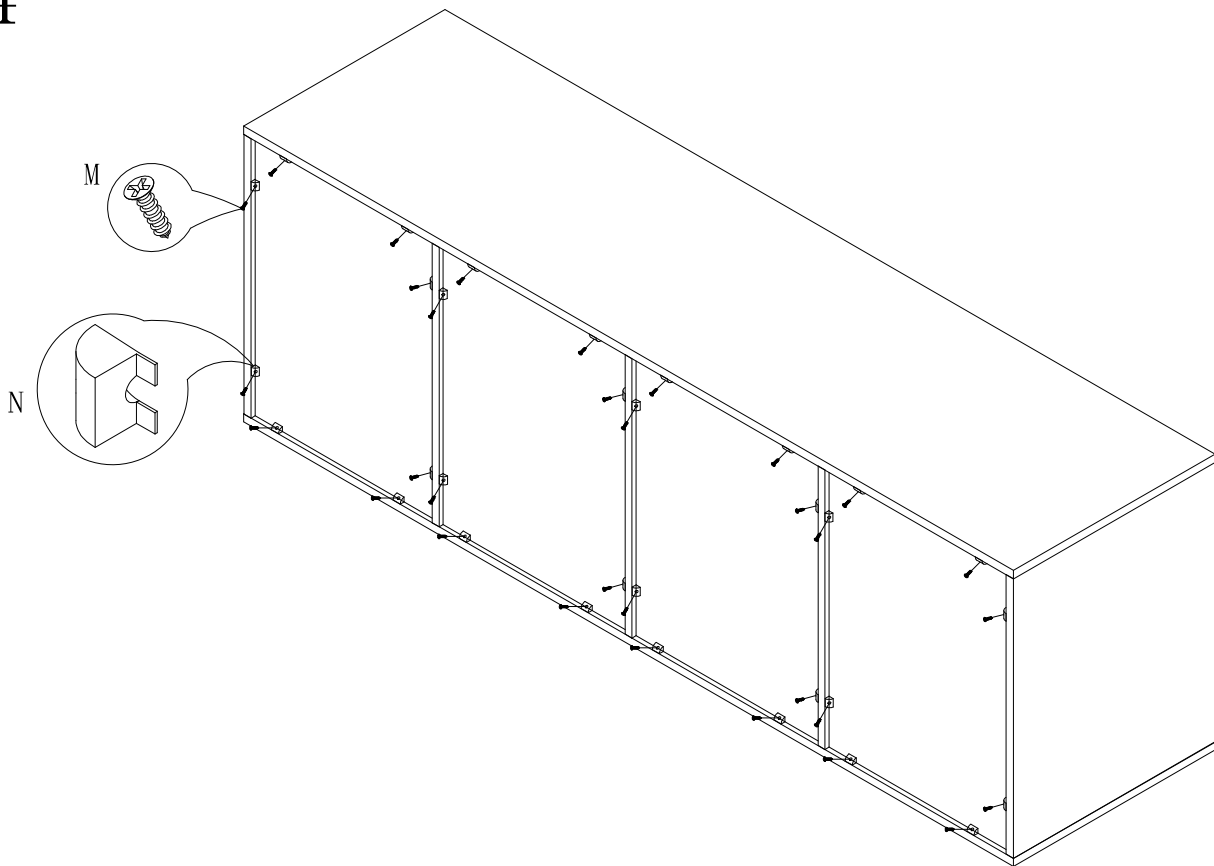
2

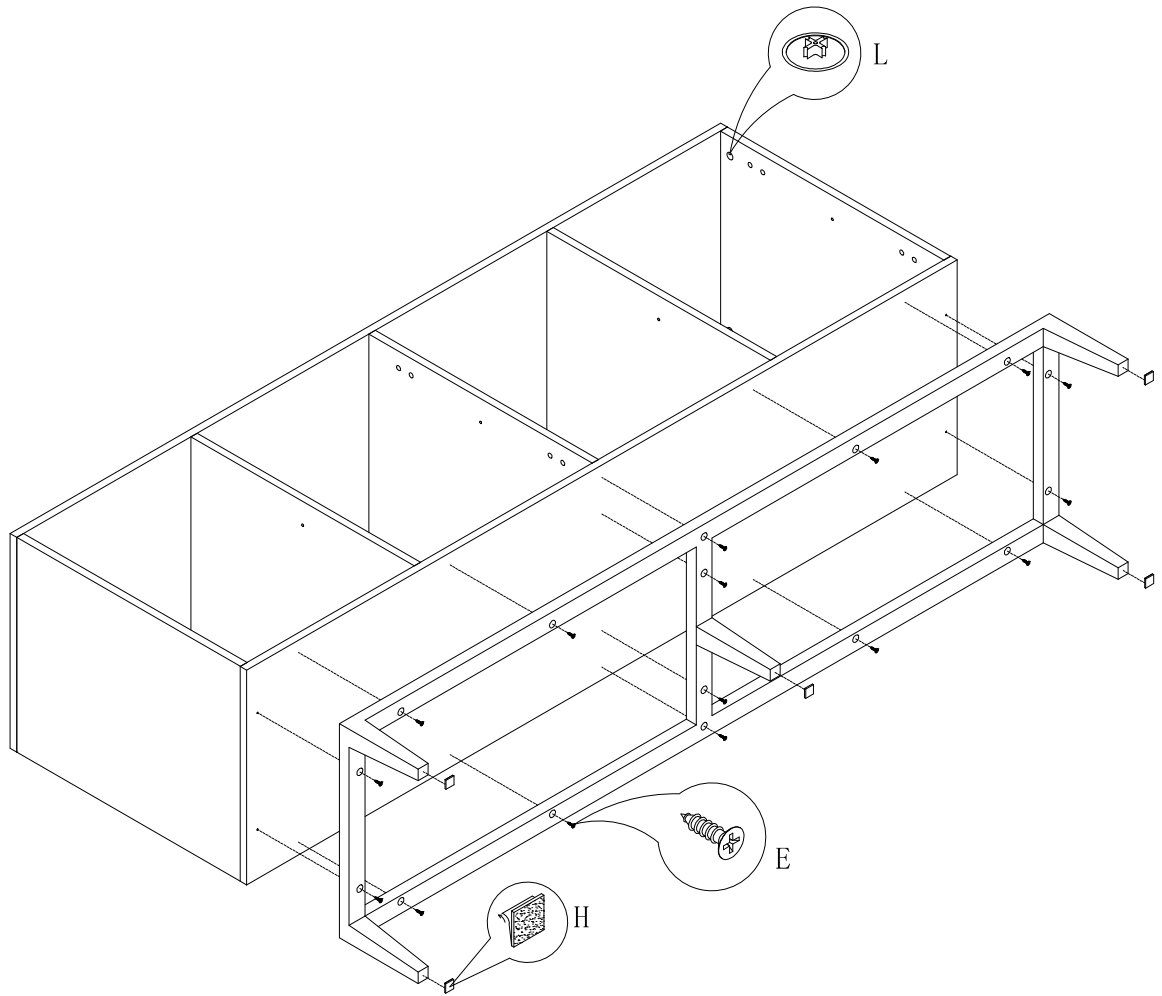




3

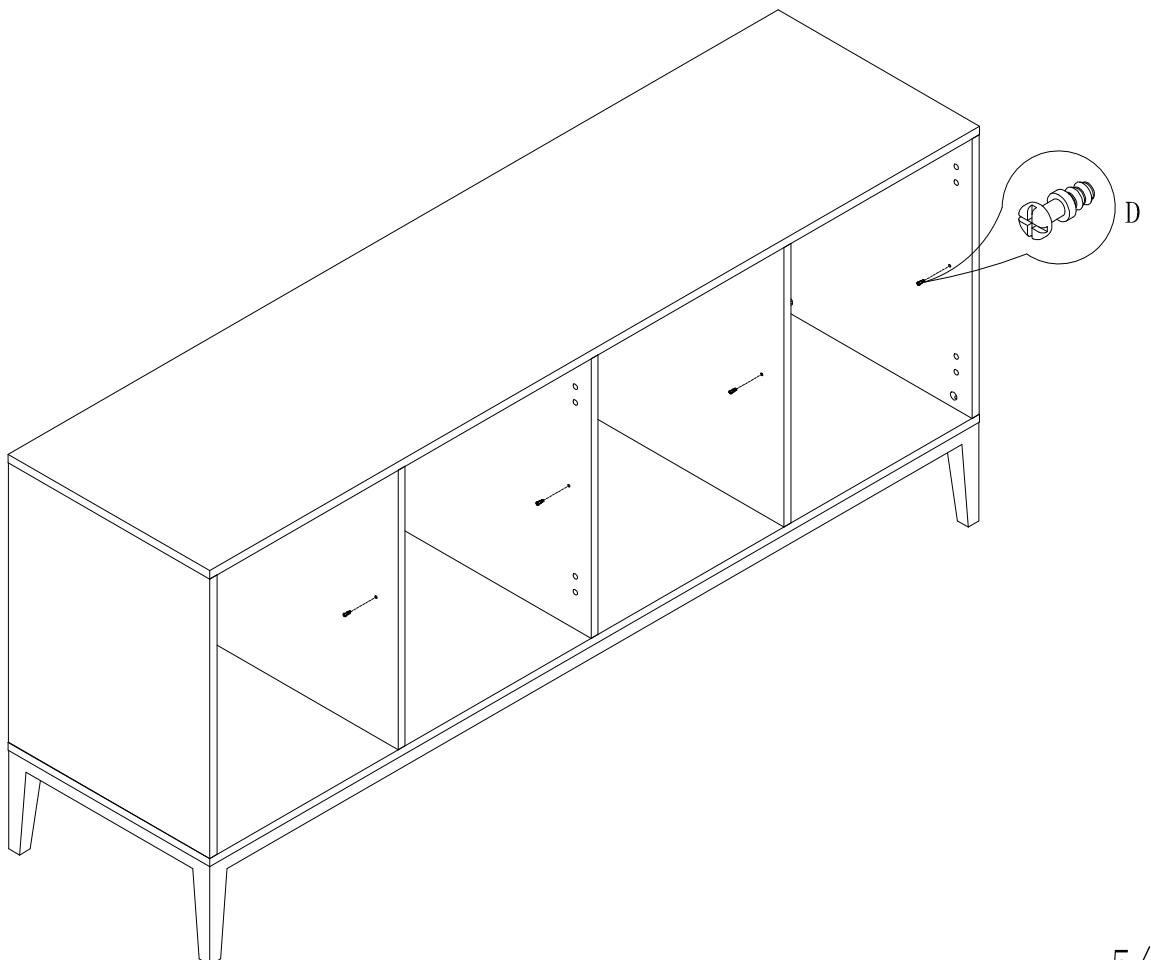
4

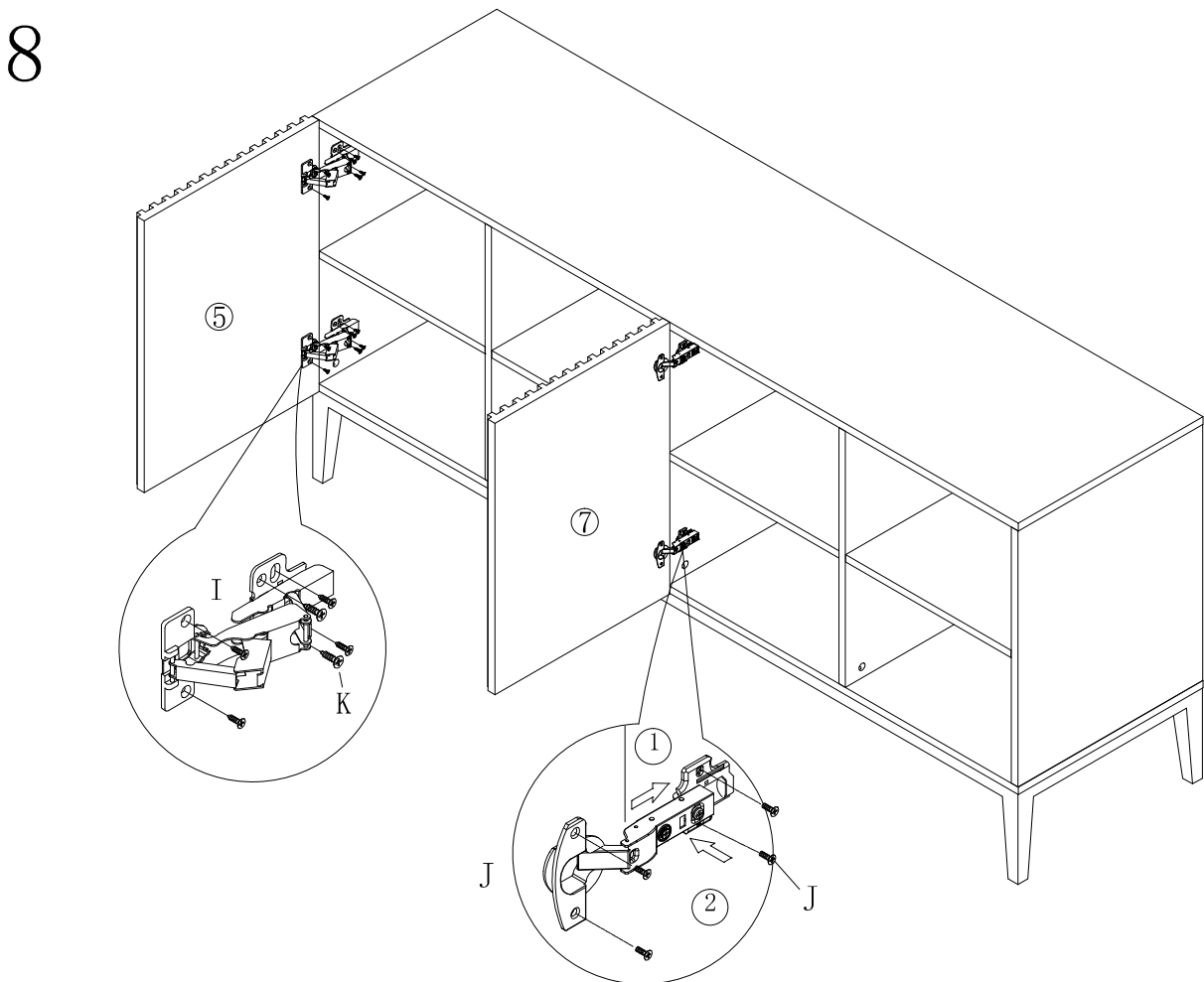
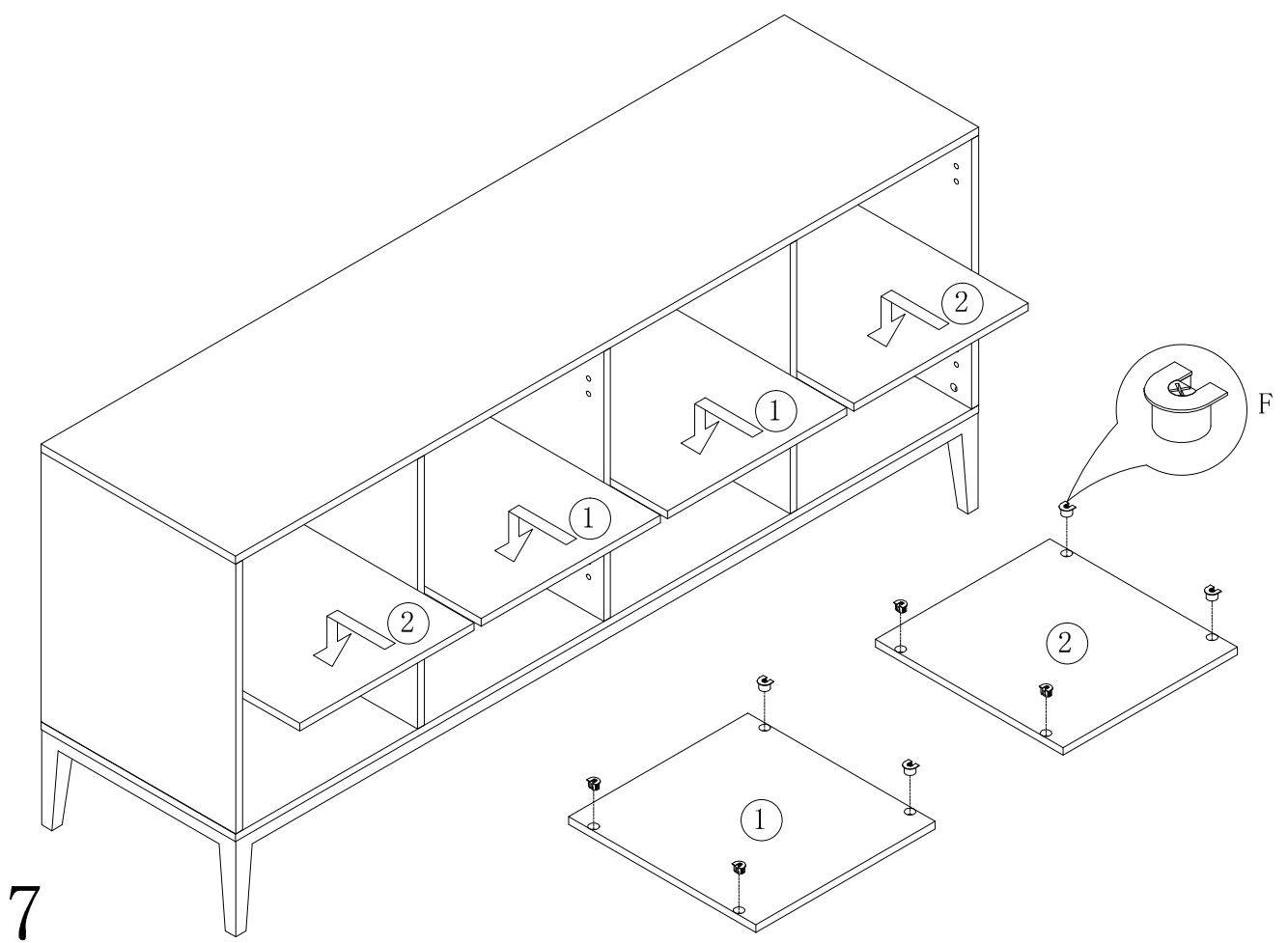


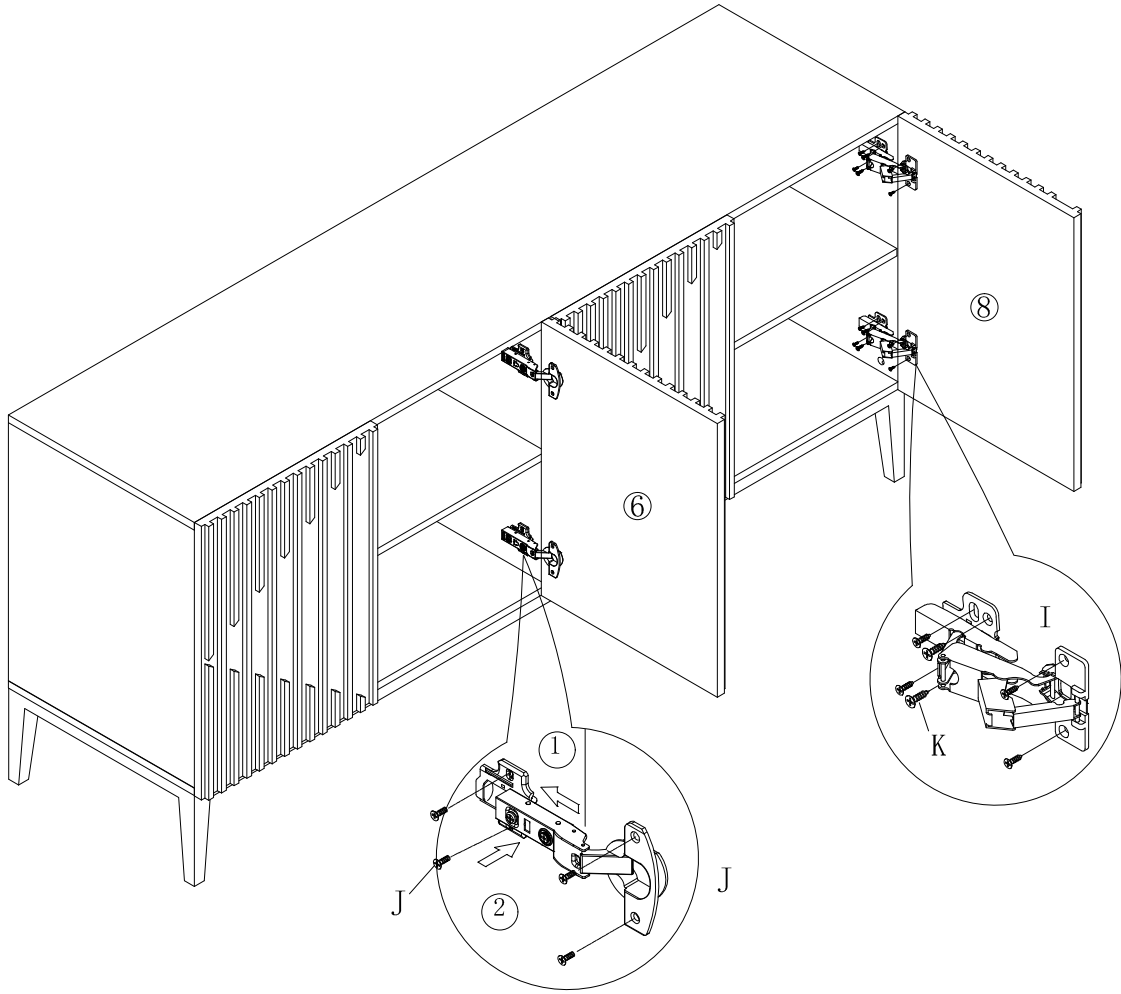


5

6







9