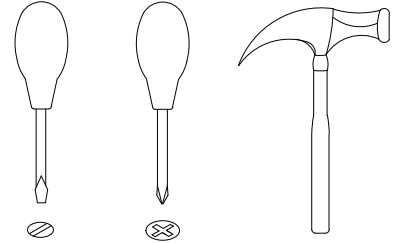
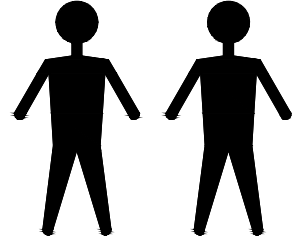
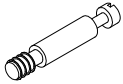


# # CP1903F



A x12  
Spec:  $\varnothing 8 \times 30$



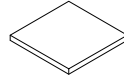
B x12  
Spec:  $\varnothing 7 \times L30$



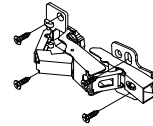
C x12  
Spec:  $\varnothing 15 \times H12$



D x14  
Spec:  $3.8 \times L16$



E x4  
Spec:  $20 \times 20$



F x8  
Spec: 068#



G x12  
Spec:



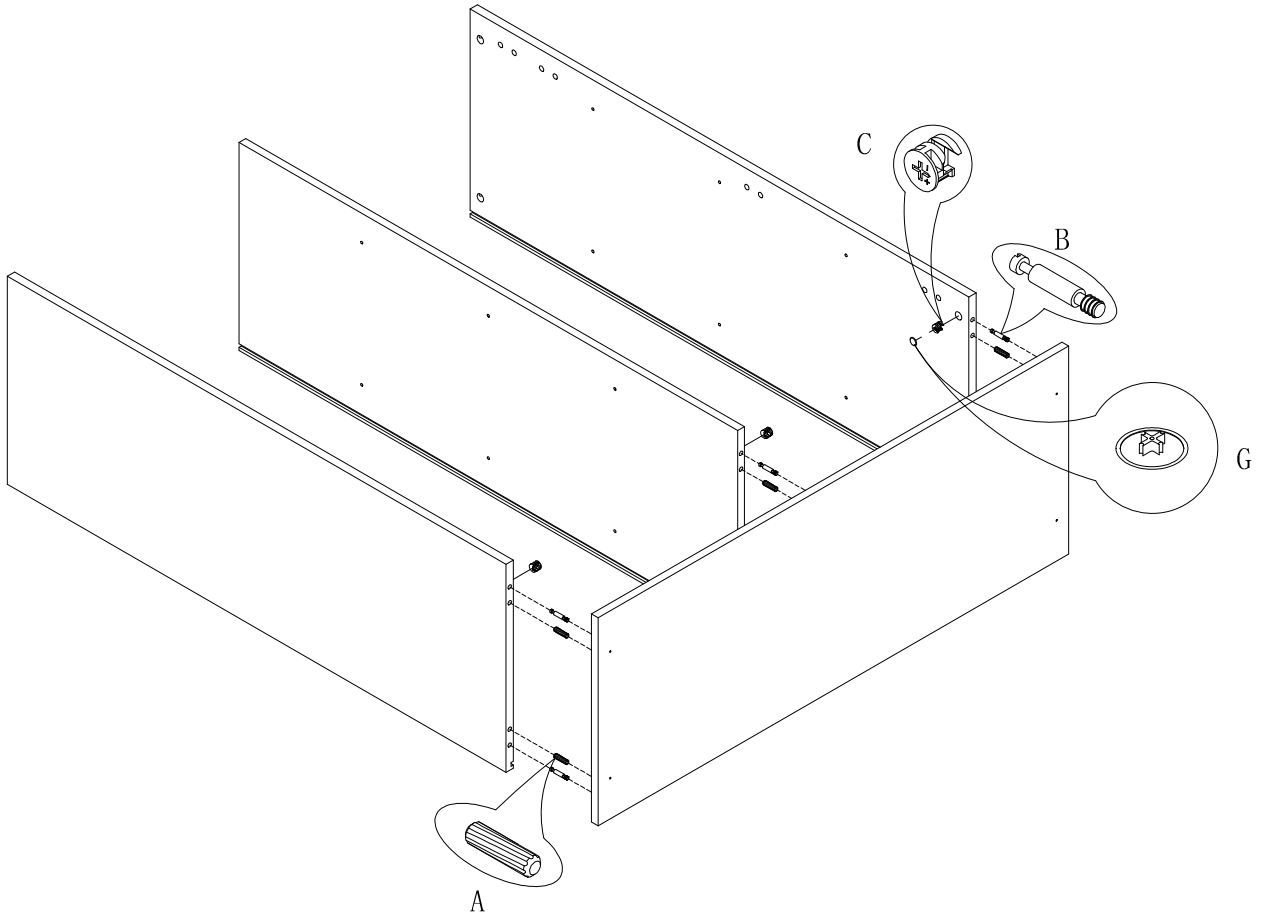
H x24  
Spec:  $\varnothing 5 \times L19$



I x24  
Spec:  $\varnothing 20 \times H12$

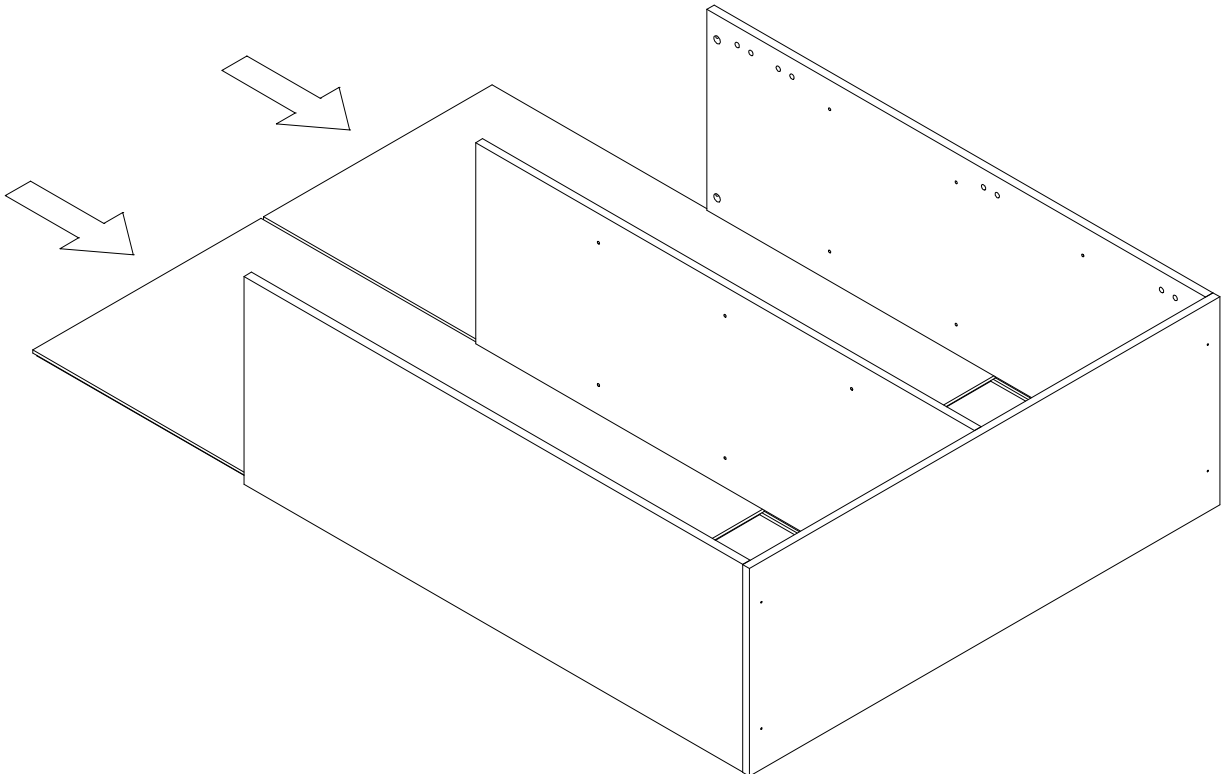


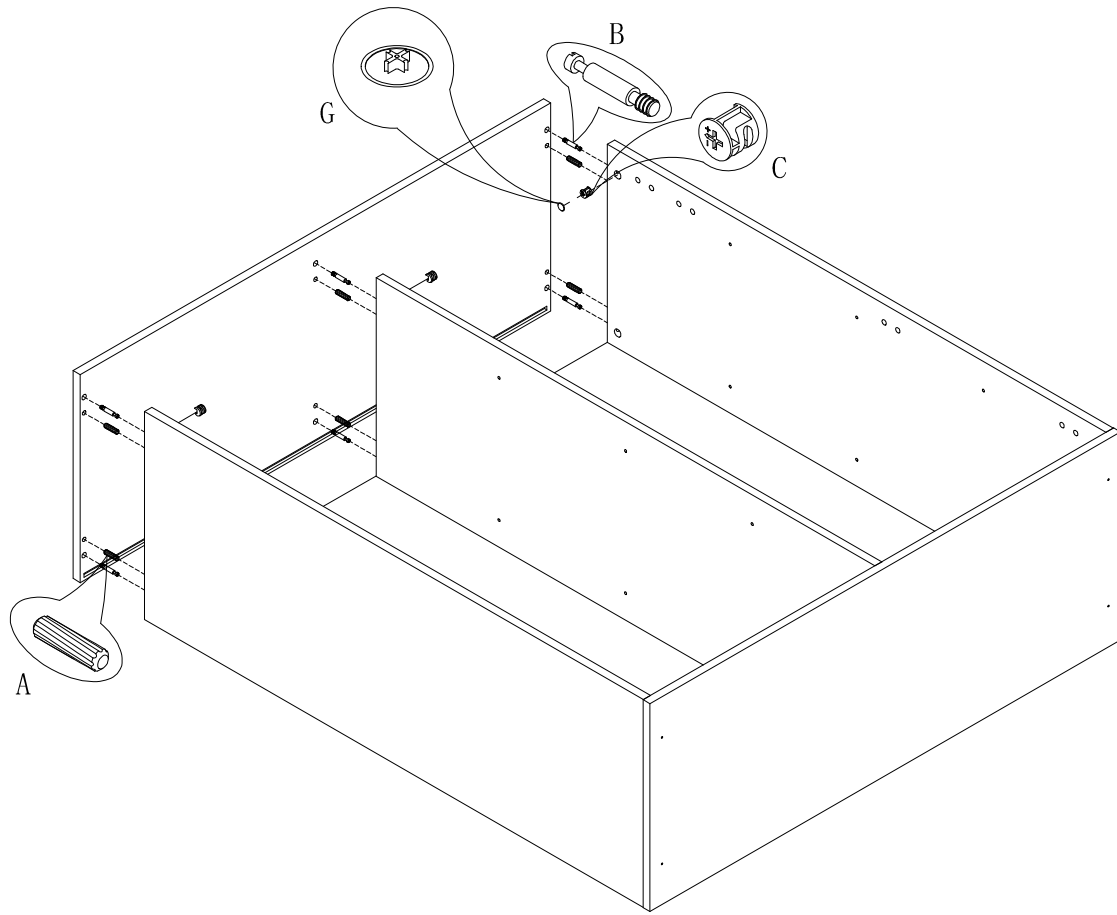
J x16  
Spec:  $3.8 \times L16$



1

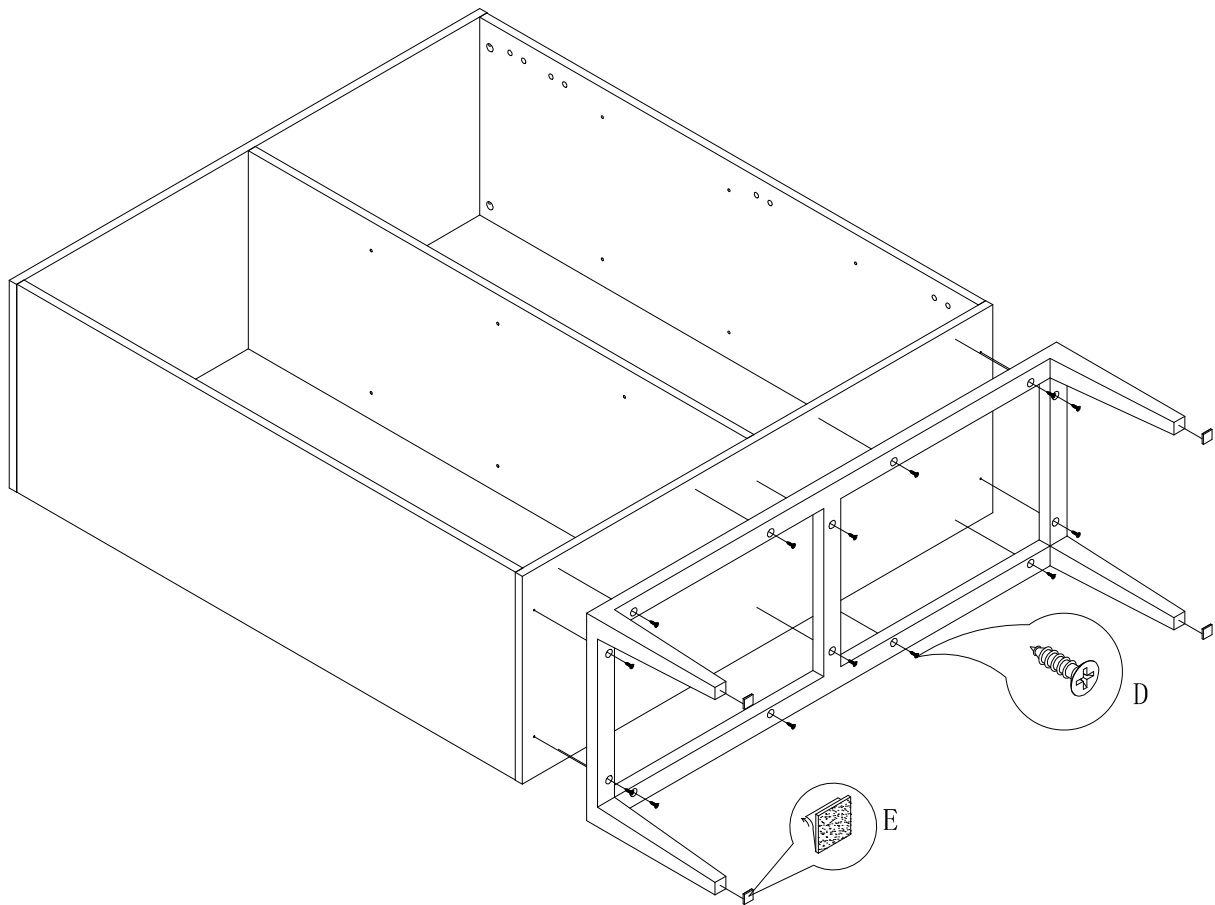
2



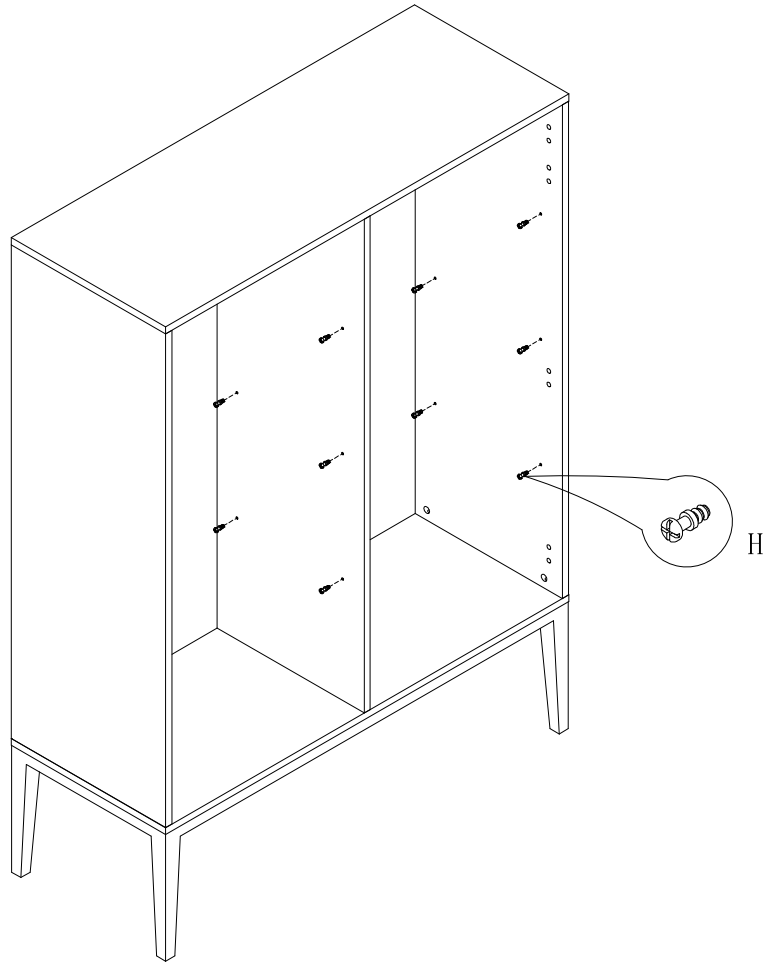


3

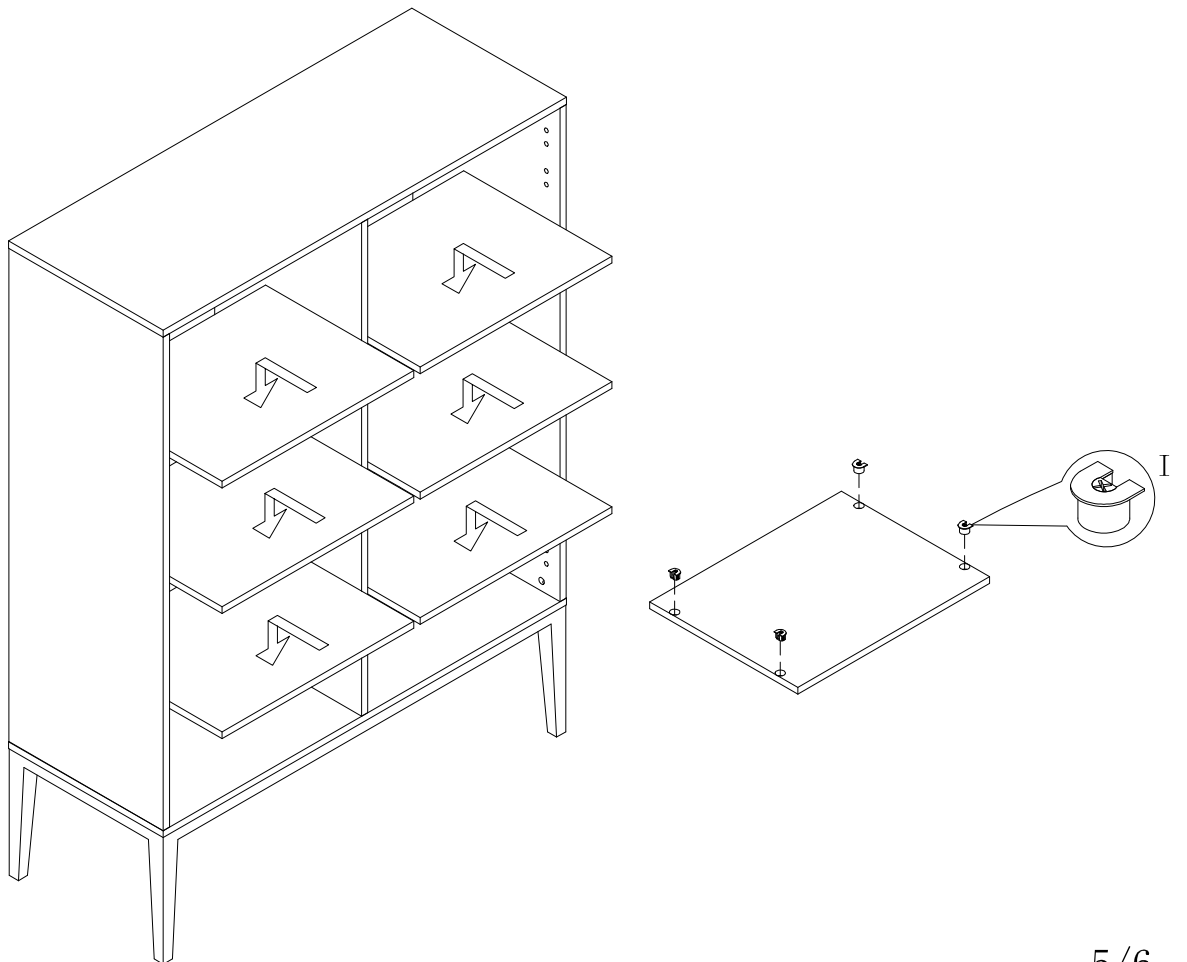
4



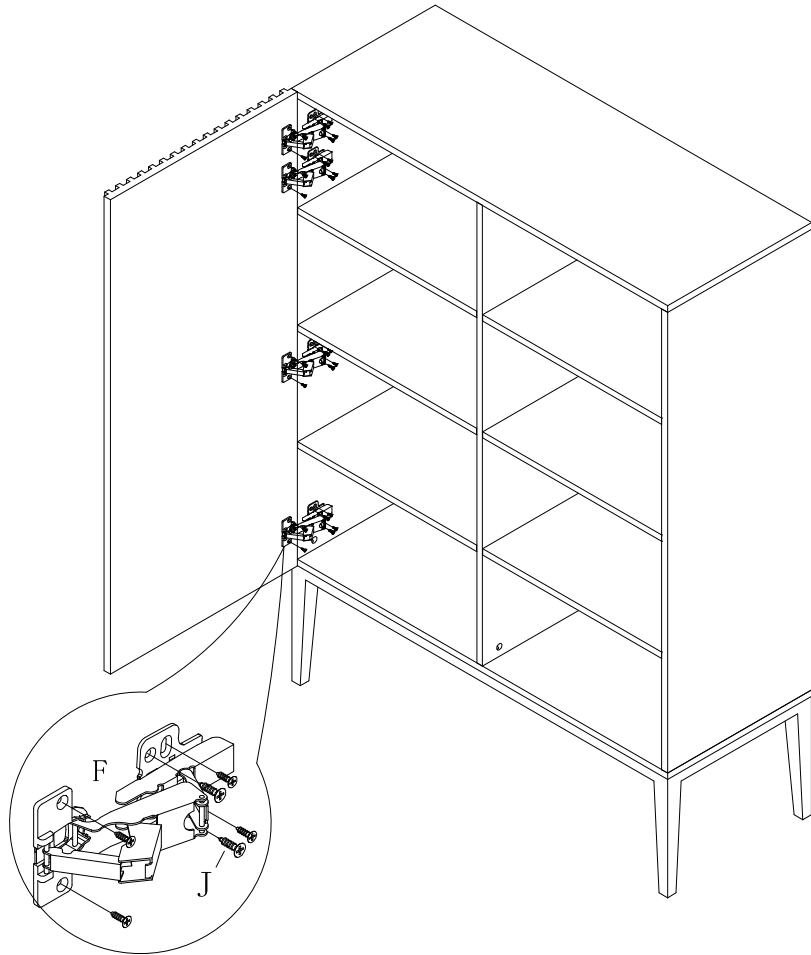
5



6



7



8

