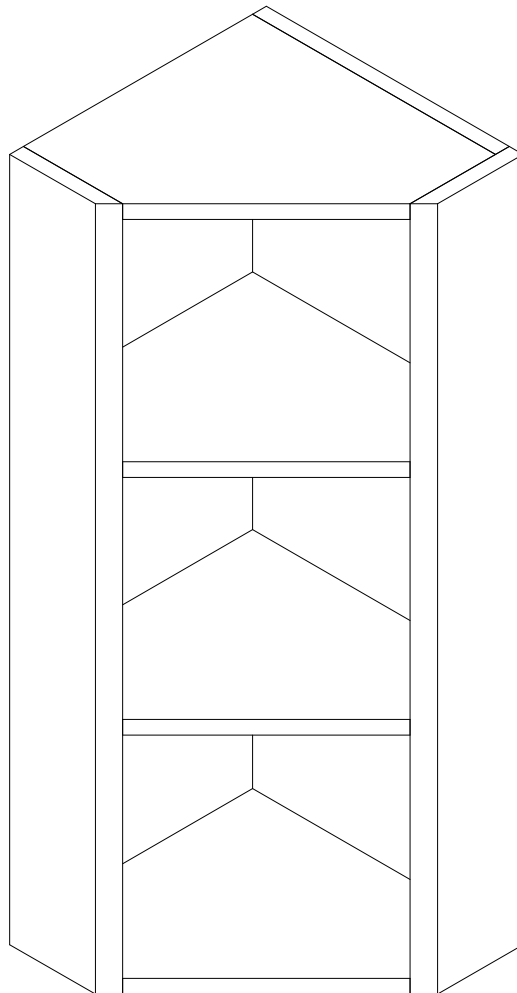


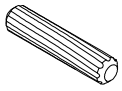
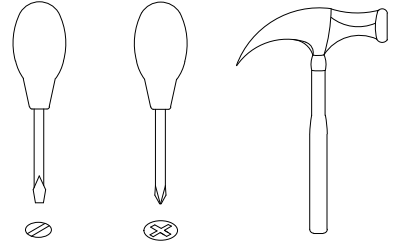
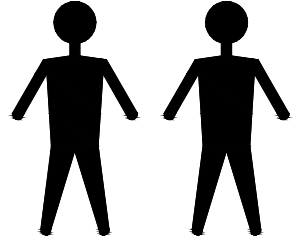
MOD
interiors

CP1903R

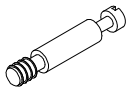


EAC

CP1903R



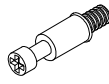
A x23
Spec: $\varnothing 8 \times 30$



B x8
Spec: $\varnothing 7 \times L30$



C x8
Spec: $\varnothing 15 \times H12$



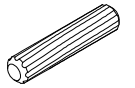
D x4
Spec: $\varnothing 6 \times L30$



E x4
Spec: $\varnothing 12 \times H10$



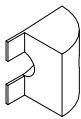
F x12
Spec:



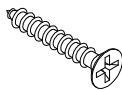
G x12
Spec: $\varnothing 6 \times 30$



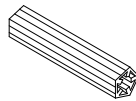
H x4
Spec: $\varnothing 3.5 \times L16$



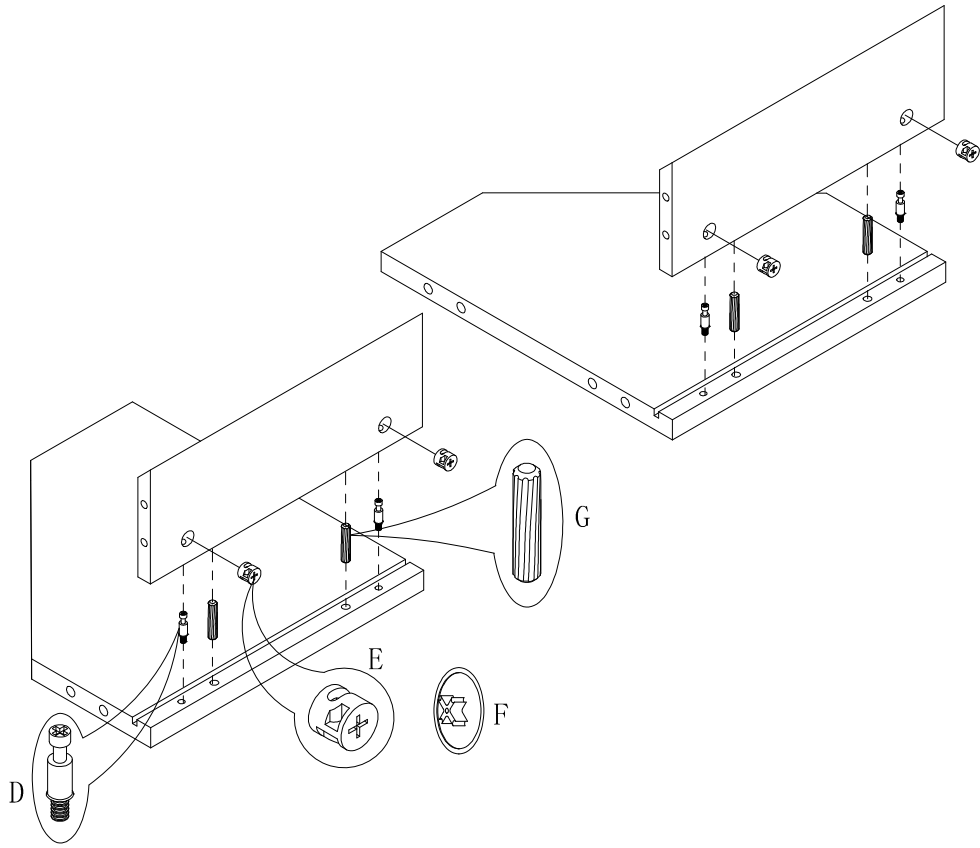
I x4
Spec: H13



K x5
Spec: $\varnothing 3.8 \times L38$

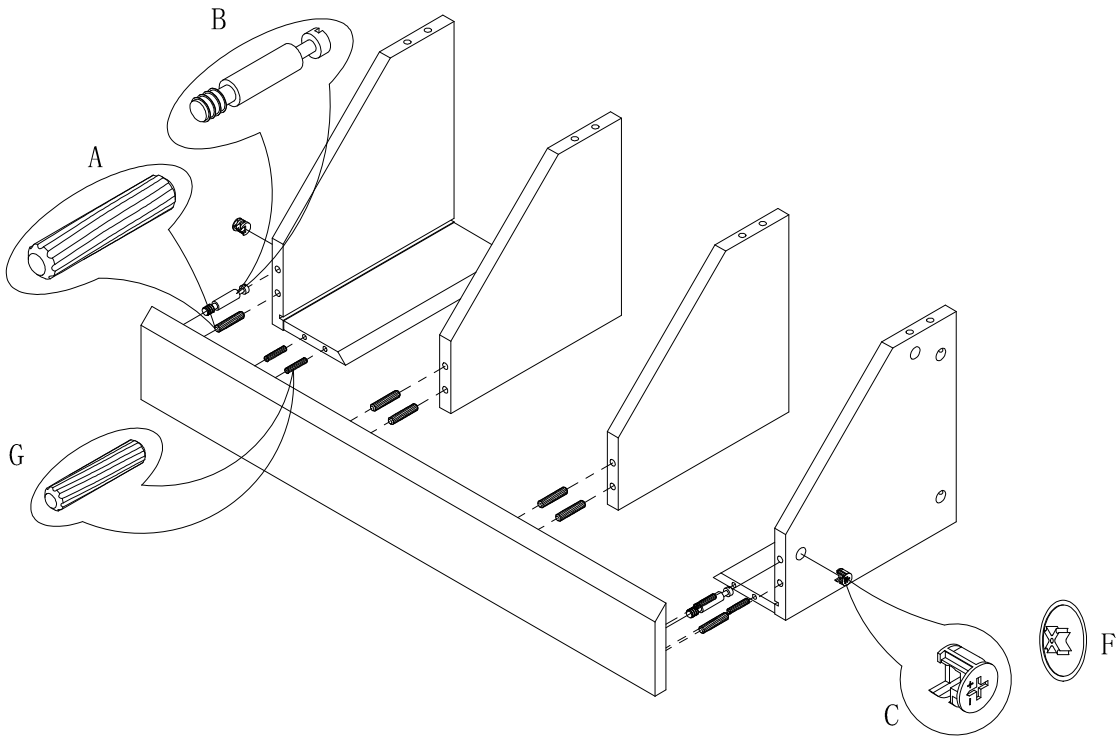


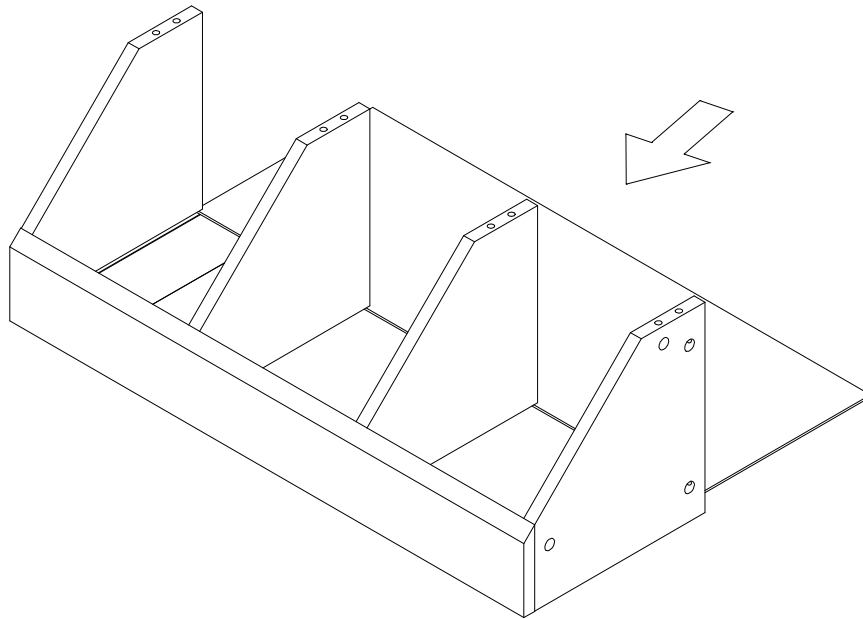
L x5
Spec:



1

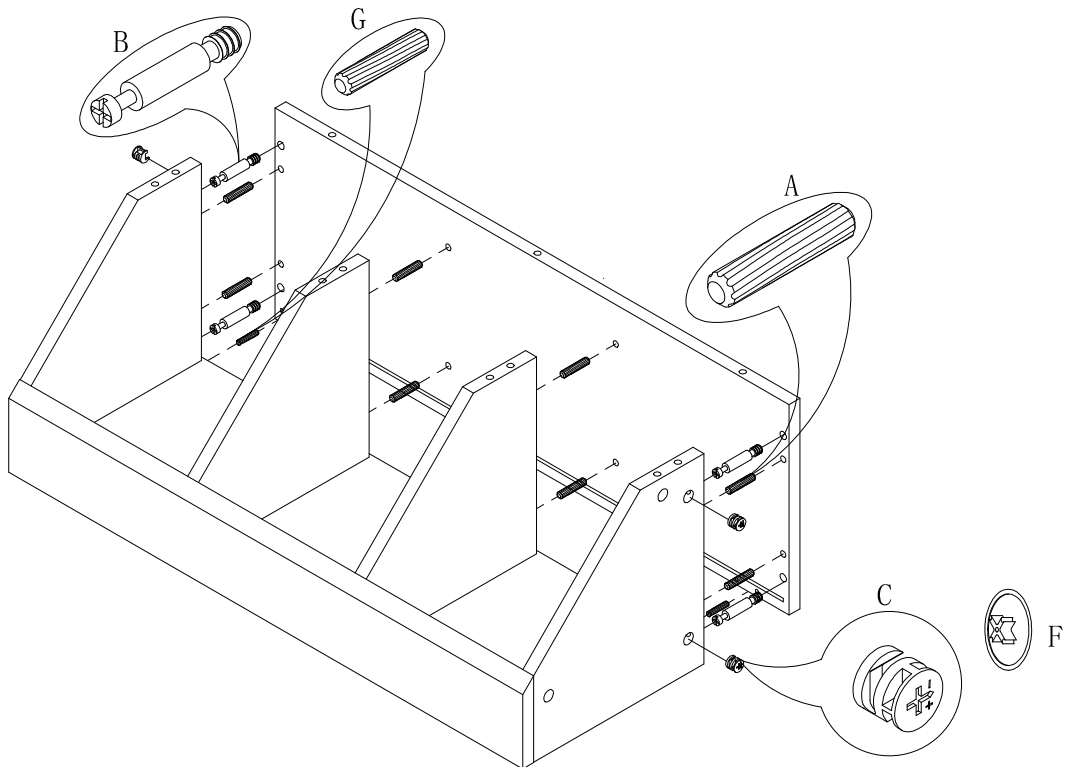
2

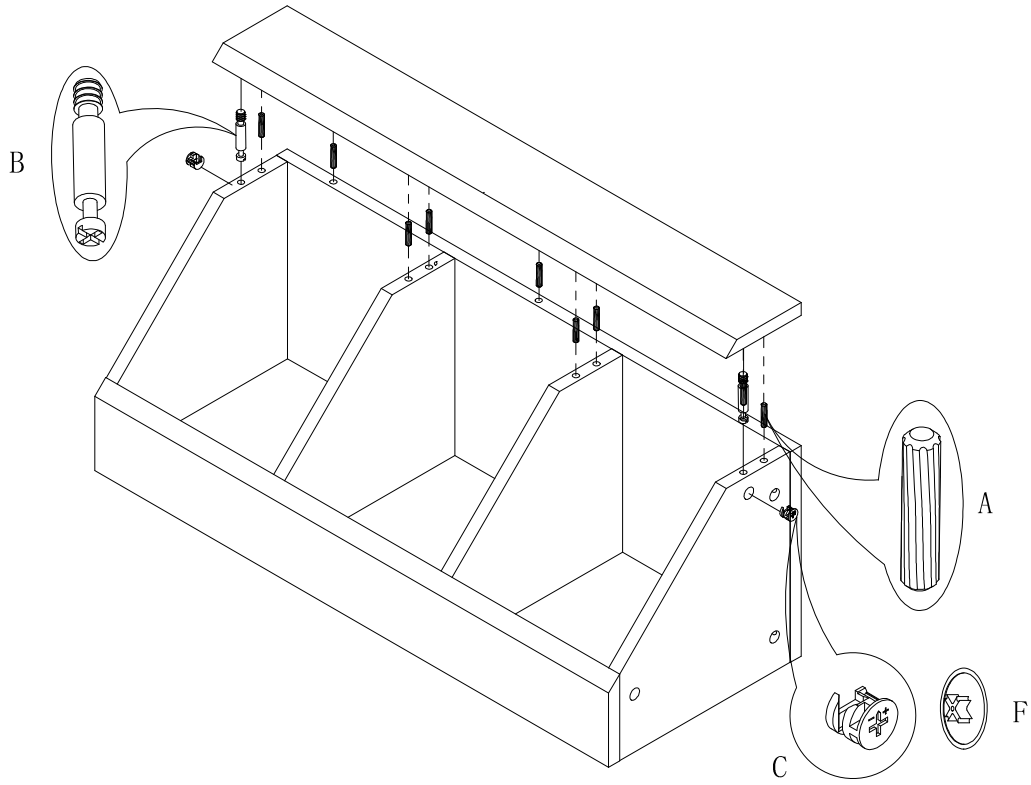




3

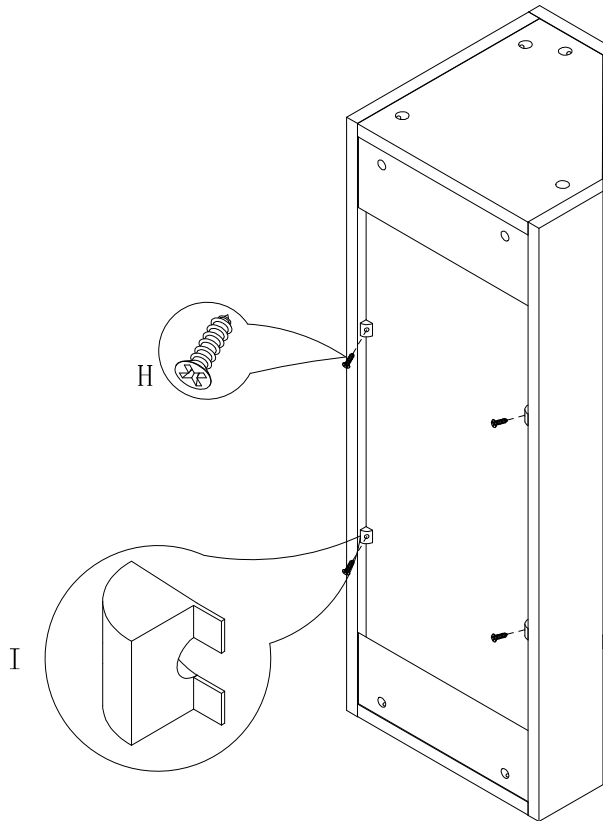
4



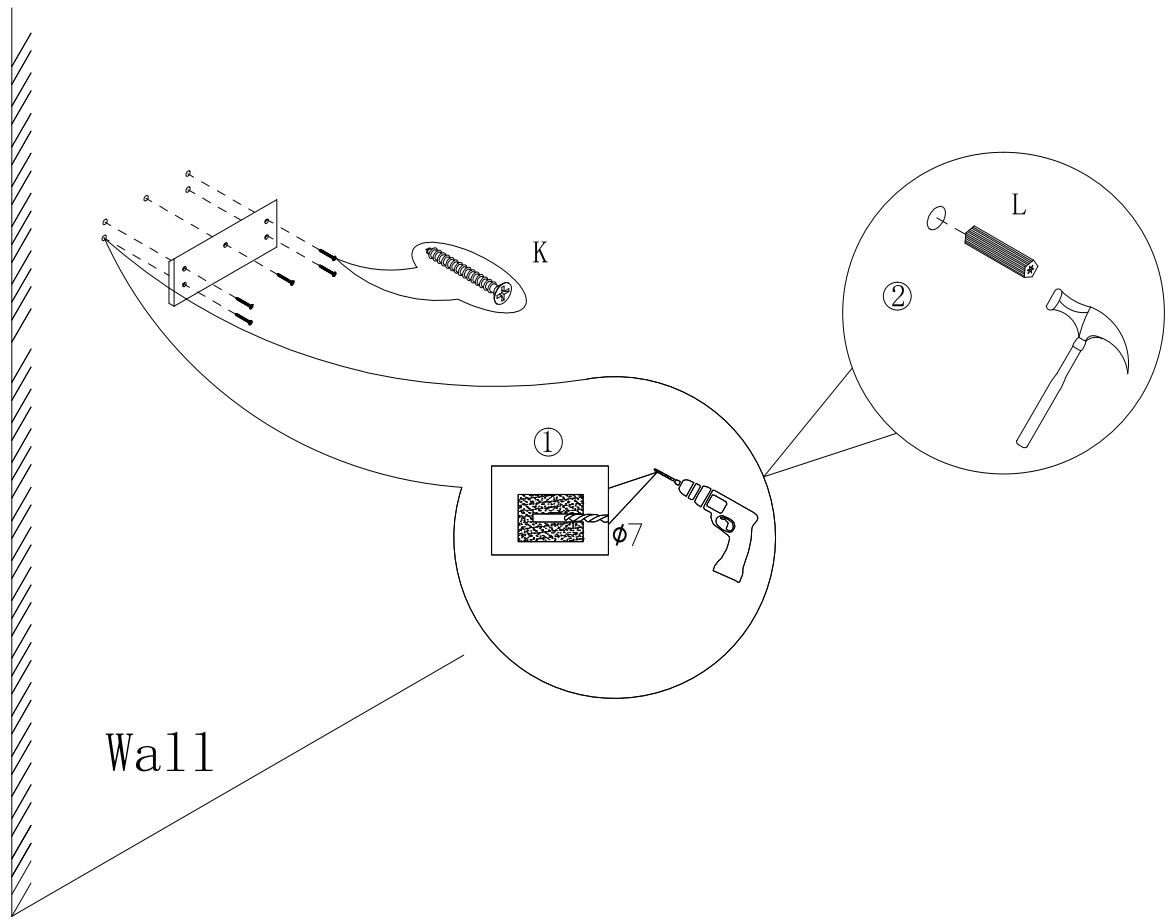


5

6



7



8

