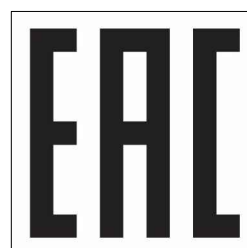
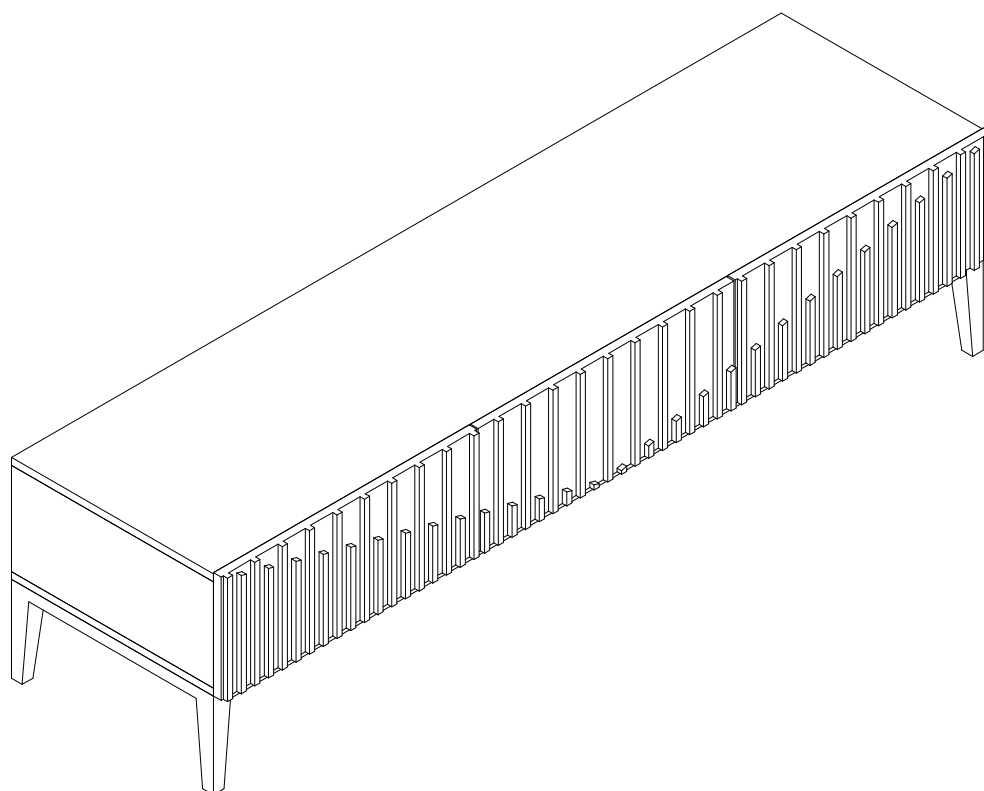
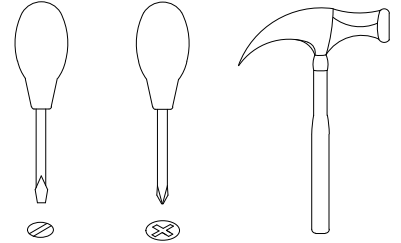
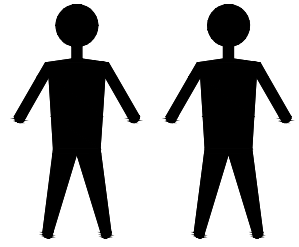


MOD  
interiors

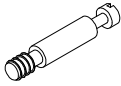
# CP1903TV



# # CP1903TV



A x16  
Spec:  $\varnothing 8 \times 30$



B x16  
Spec:  $\varnothing 7 \times L30$



C x16  
Spec:  $\varnothing 15 \times H12$



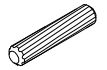
D x18  
Spec:  $\varnothing 6 \times L28$



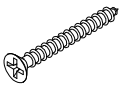
E x18  
Spec:  $\varnothing 12 \times H9$



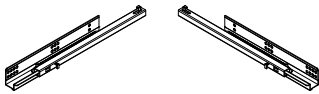
F x18  
Spec:  $\varnothing 6 \times L8$



G x36  
Spec:  $\varnothing 6 \times 30$



H x12  
Spec:  $\varnothing 3.5 \times L35$



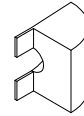
I x3  
Spec: L400



J x16  
Spec:  $3.8 \times L16$



K x18  
Spec:  $\varnothing 3.5 \times L16$



L x18  
Spec: H13



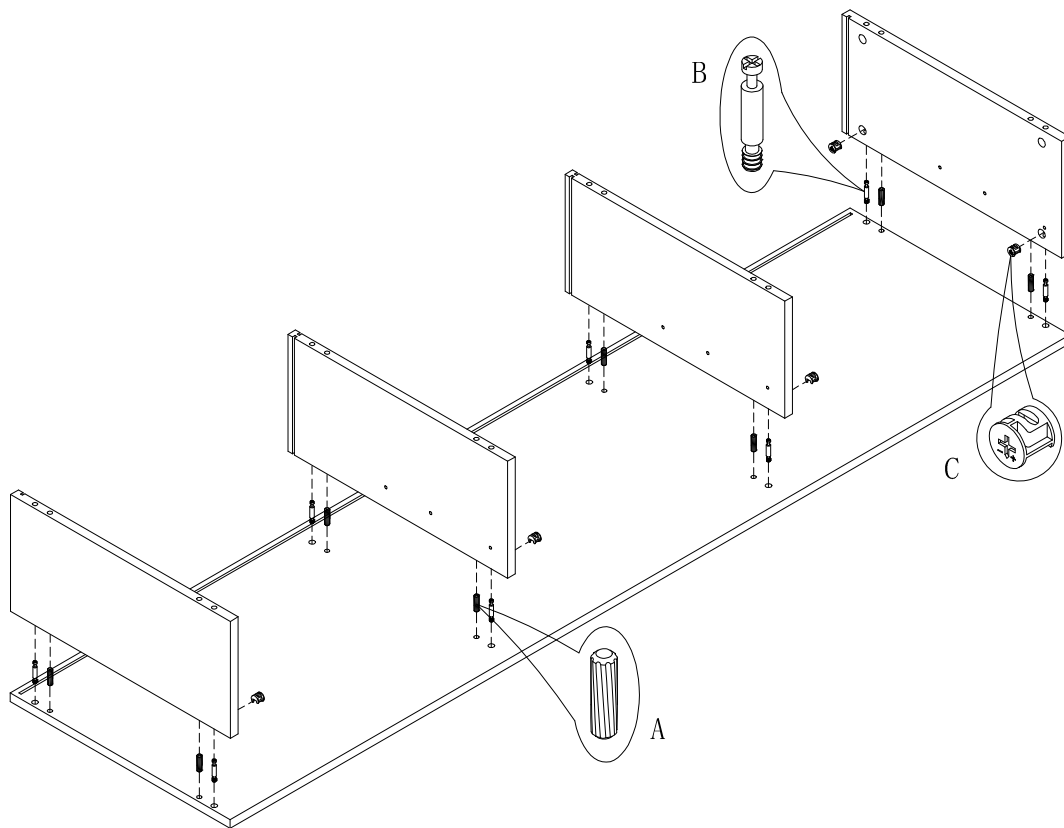
M x34  
Spec:



N x5  
Spec:  $20 \times 20$

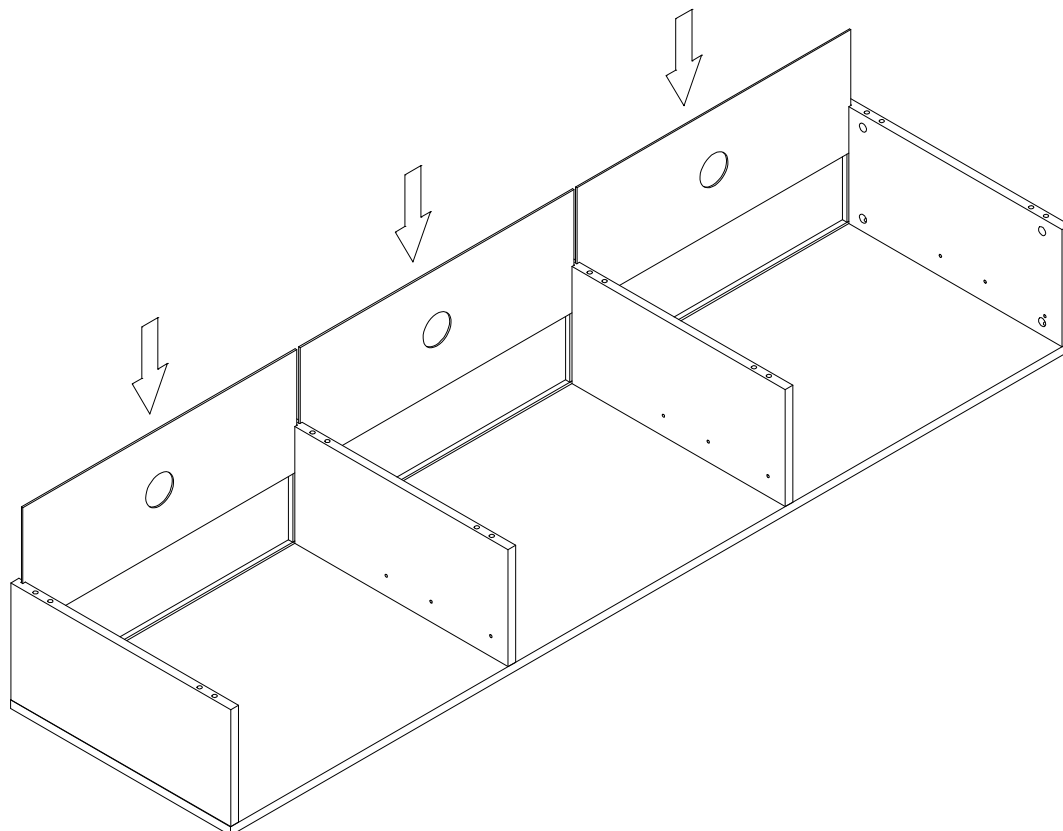


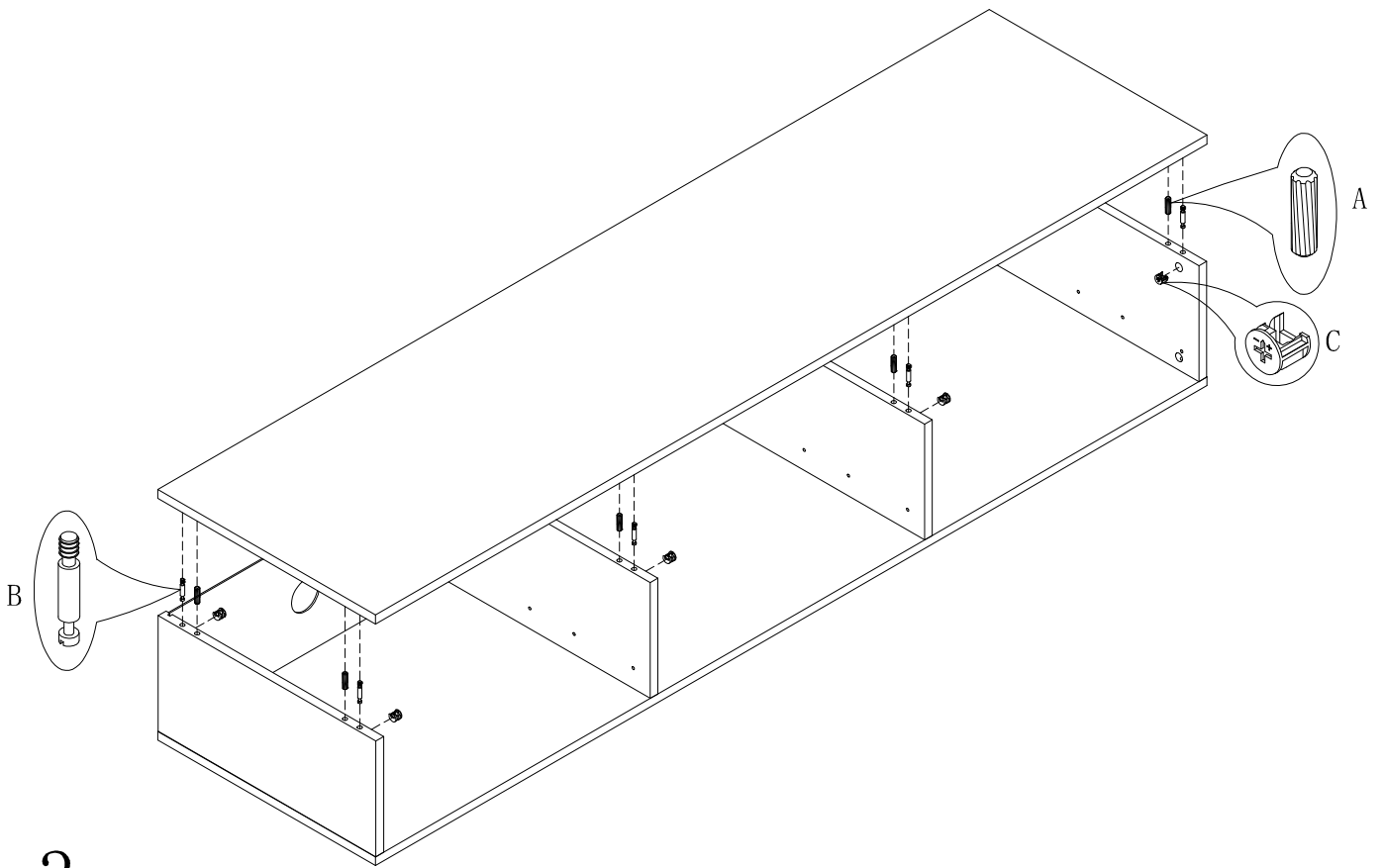
AAA x12  
Spec:  $\varnothing 3.8 \times L12$



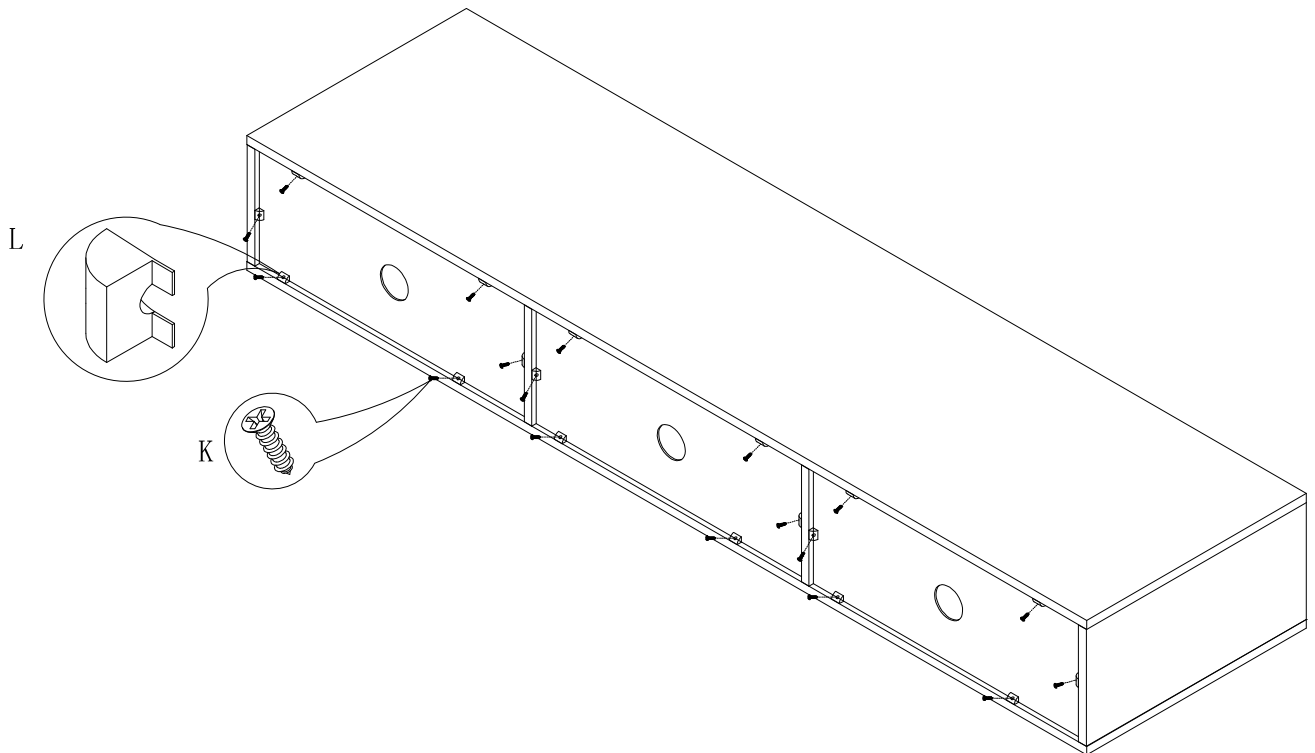
1

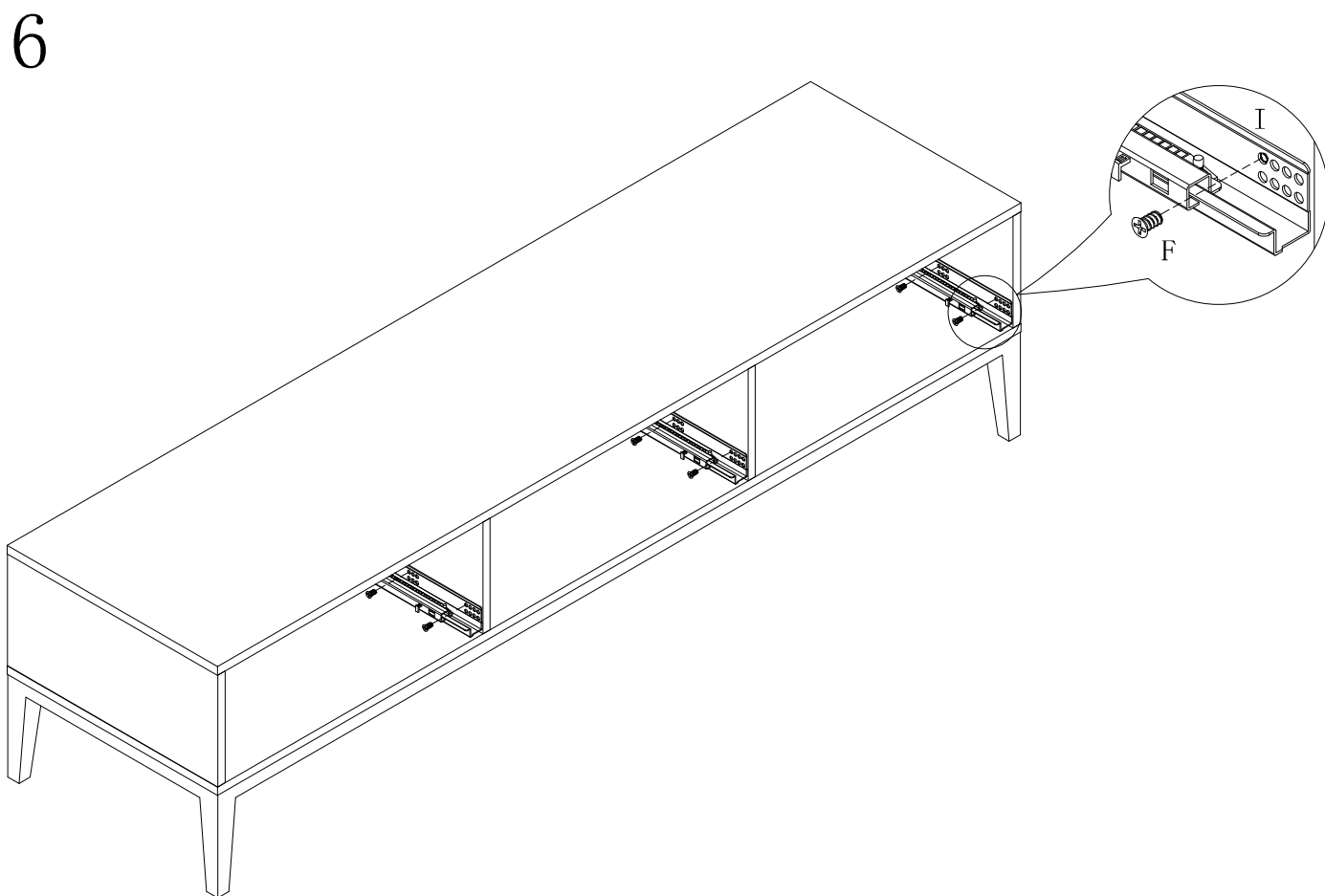
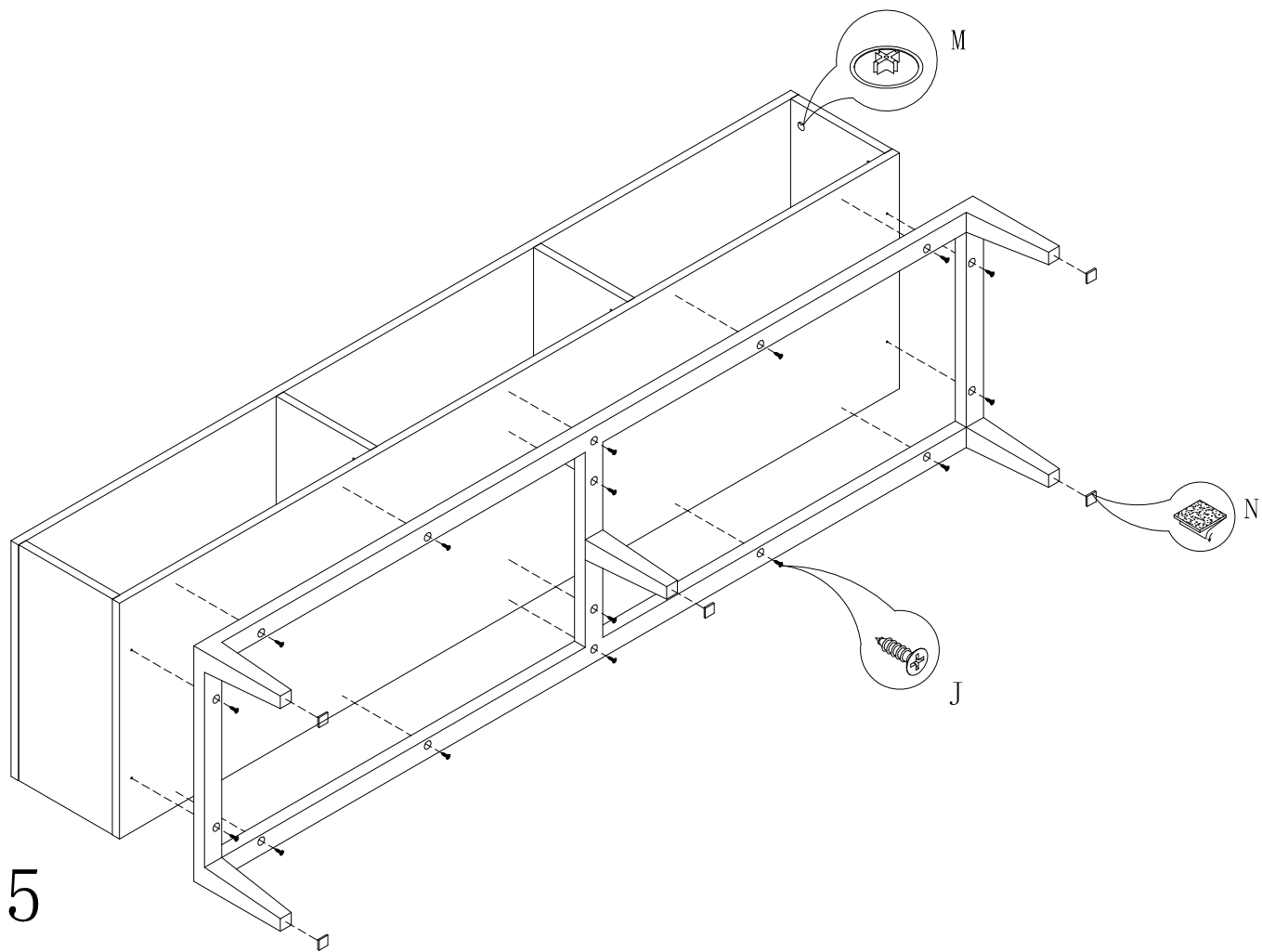
2

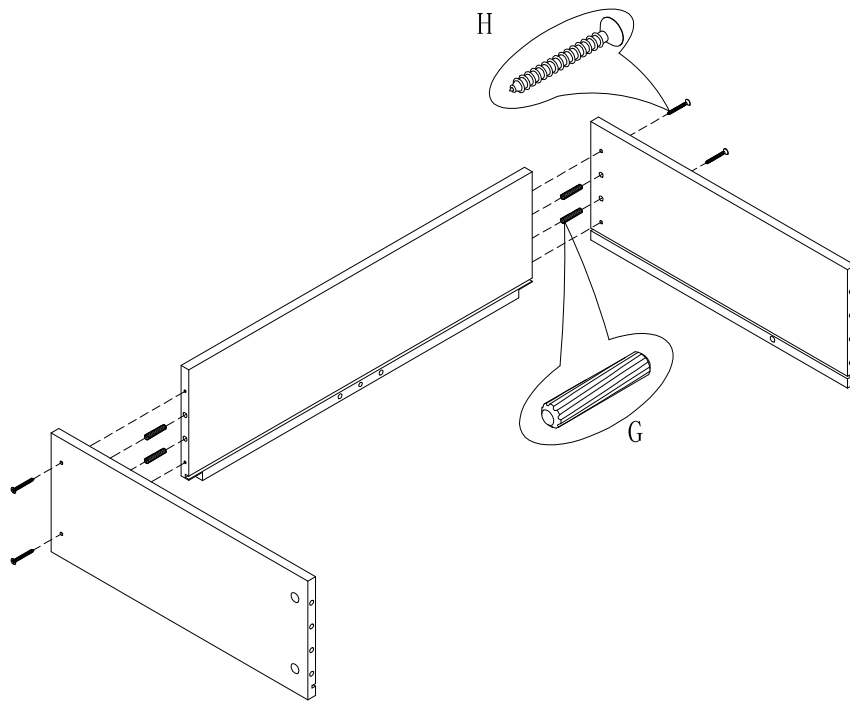




4

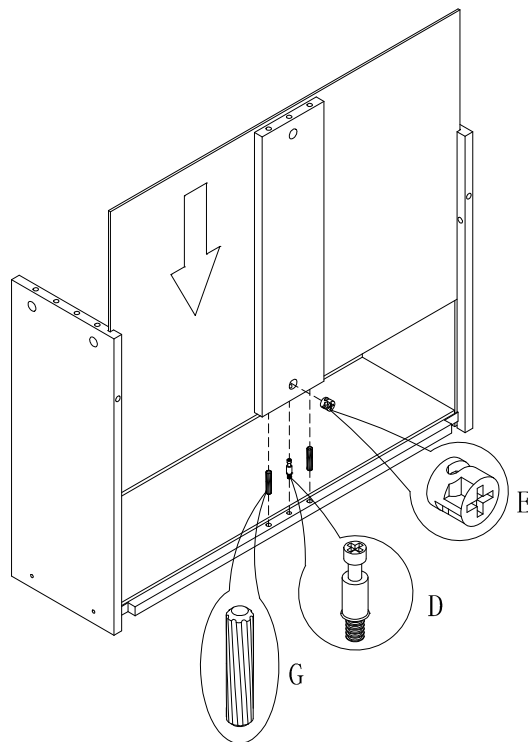


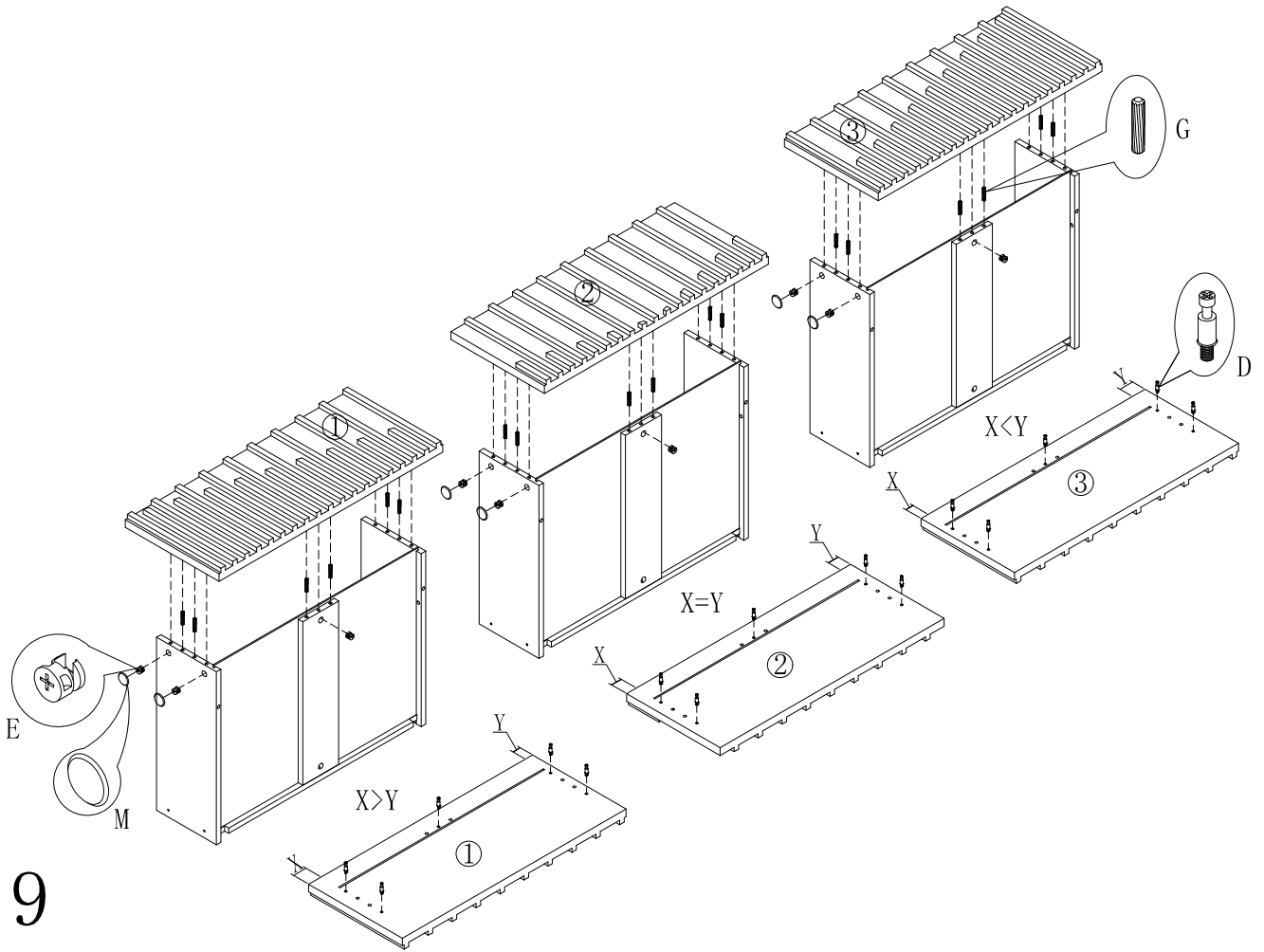




7

8





10

