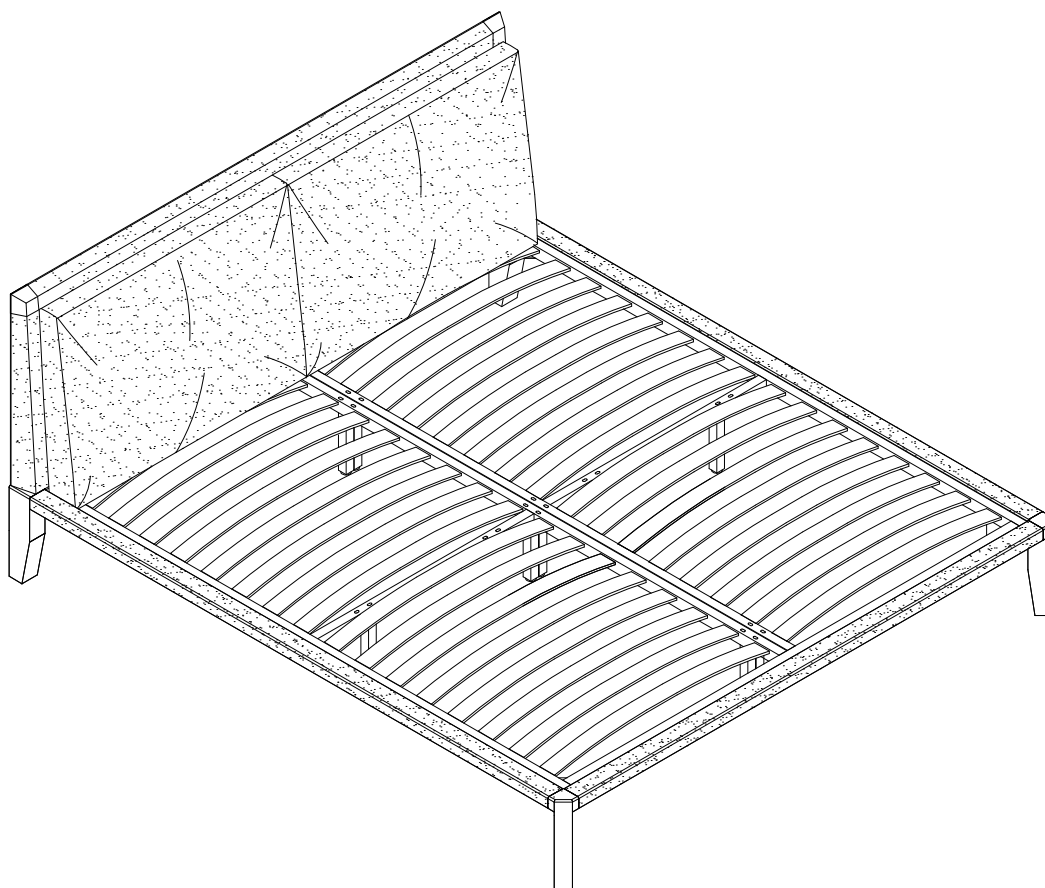


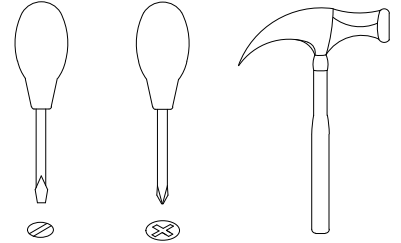
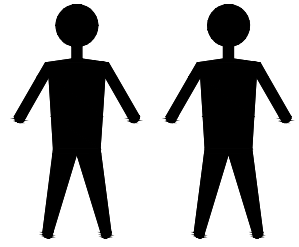
MOD
interiors

CP1907B-FS



EAC

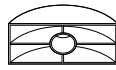
CP1907B-FS



A x8
Spec: $\varnothing 8 \times 30$



B x4
Spec: M8*L85



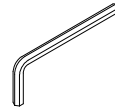
C x4
Spec:



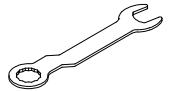
E x4
Spec: M8



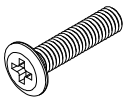
F x4
Spec: $\varnothing 38$



G x1
Spec: 5#



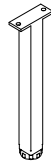
H x1
Spec: 14#



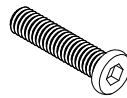
I x16
Spec: M6*45



J x32
Spec: $\varnothing 8 \times \varnothing 18$



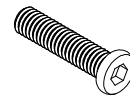
K x8
Spec: L255



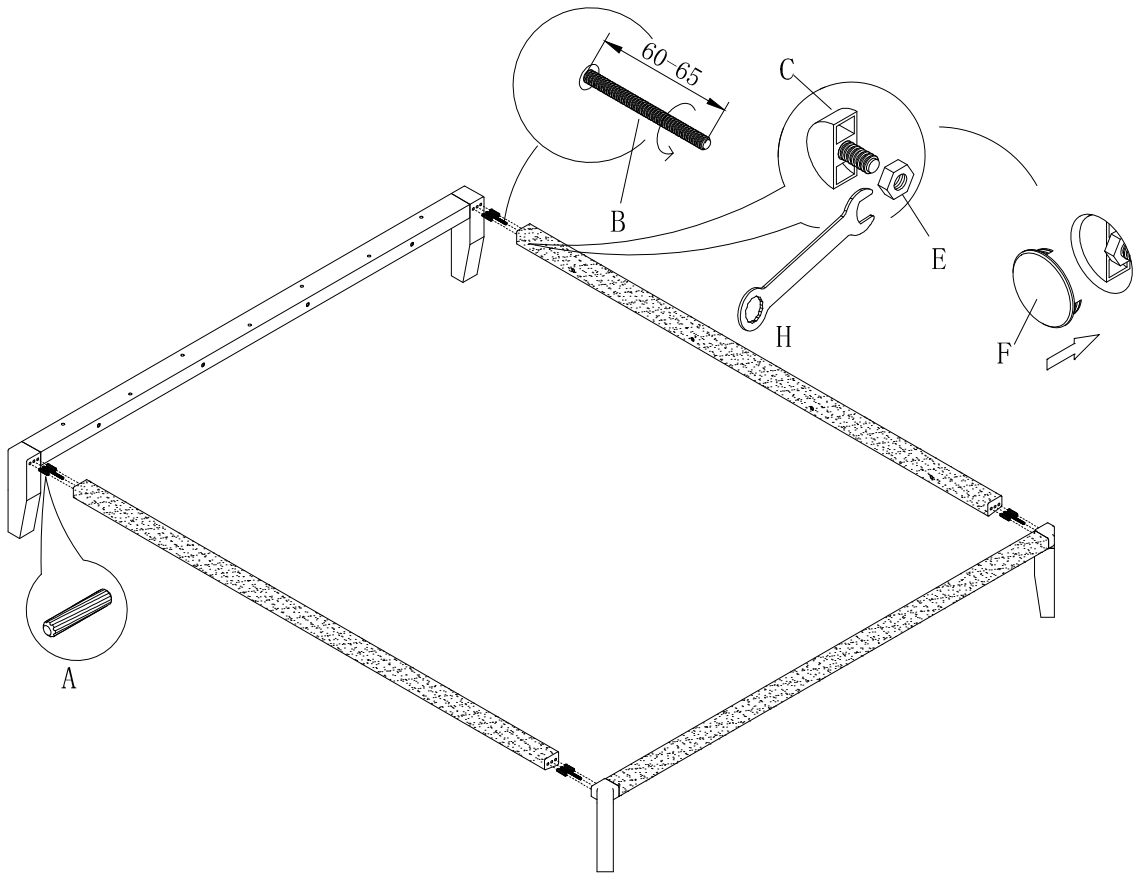
L x16
Spec: 5/16*L60



M x7
Spec: $\varnothing 8 \times \varnothing 14$

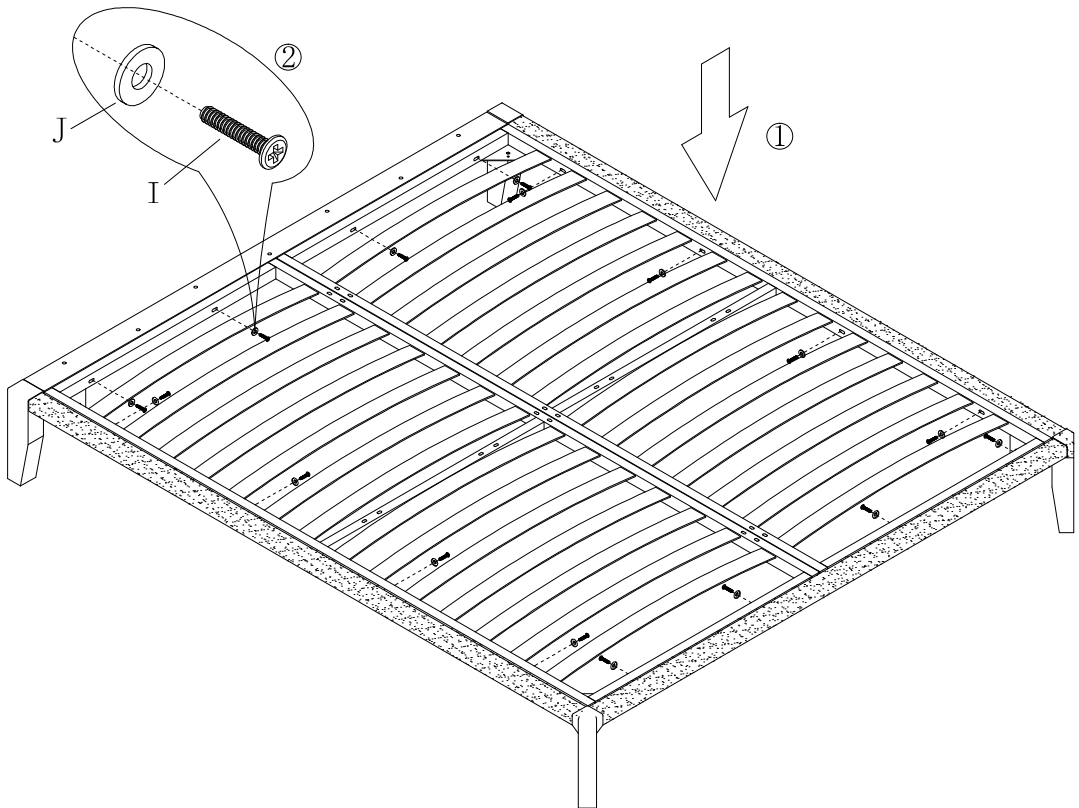


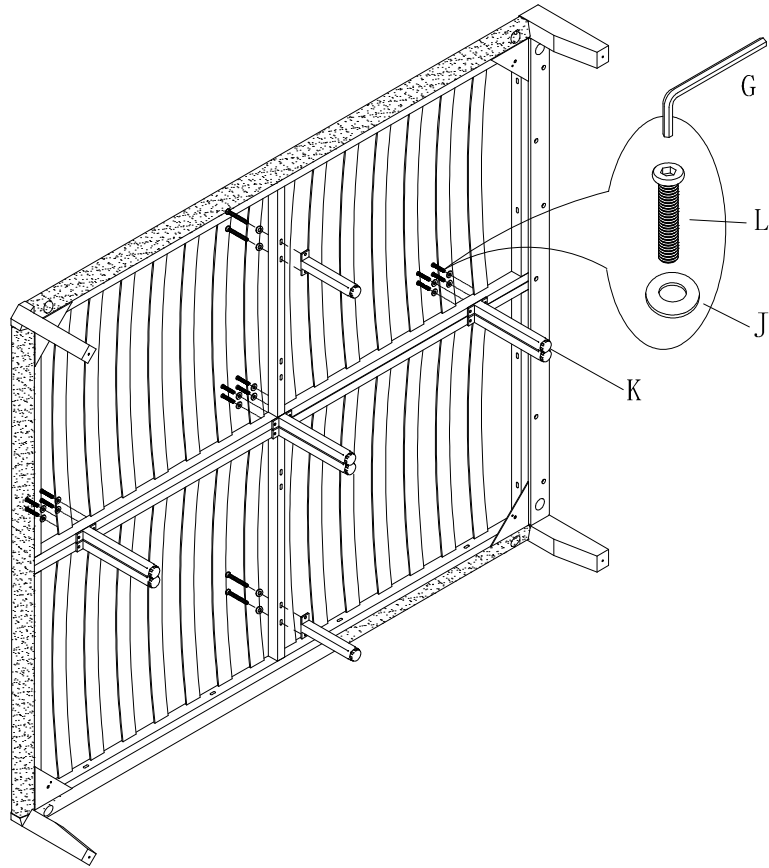
N x7
Spec: 5/16*L65



1

2





3

4

