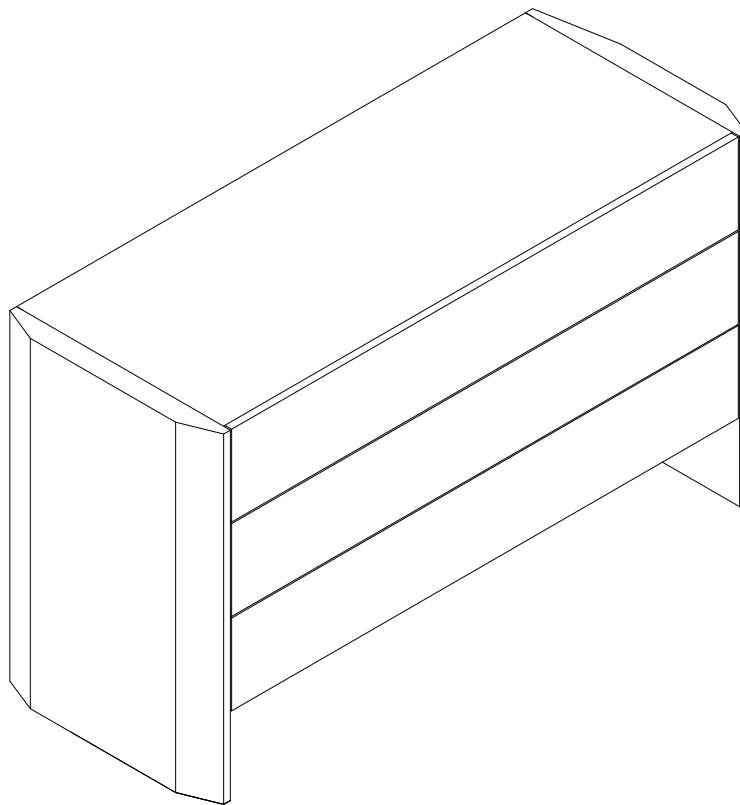
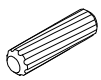
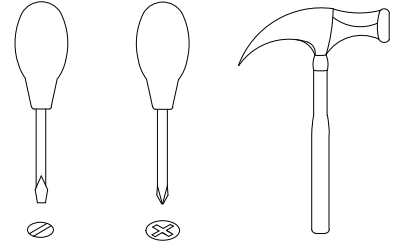
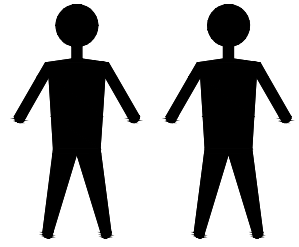




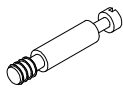
CP1907C2-50-V/V



CP1907C2-50-V/V



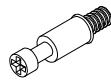
A x18
Spec: $\phi 8 \times 30$



B x14
Spec: $\phi 7 \times L30$



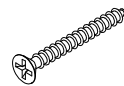
C x14
Spec: $\phi 15 \times H12$



D x24
Spec: $\phi 6 \times L28$



E x24
Spec: $\phi 12 \times H9$



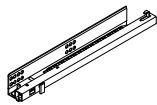
F x12
Spec: $\phi 3.5 \times L35$



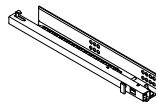
G x24
Spec: $\phi 6 \times 30$



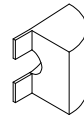
H x12
Spec: $\phi 6 \times L8$



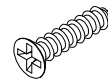
I x3
Spec: L400



J x10
Spec: $\phi 3.5 \times L16$



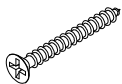
K x10
Spec: H13



L x16
Spec: $\phi 3.8 \times L25$



M x34
Spec:



N x10
Spec: $\phi 3.8 \times L50$



O x6
Spec: M6*35



P x6
Spec: $\phi 8 \times \phi 14$



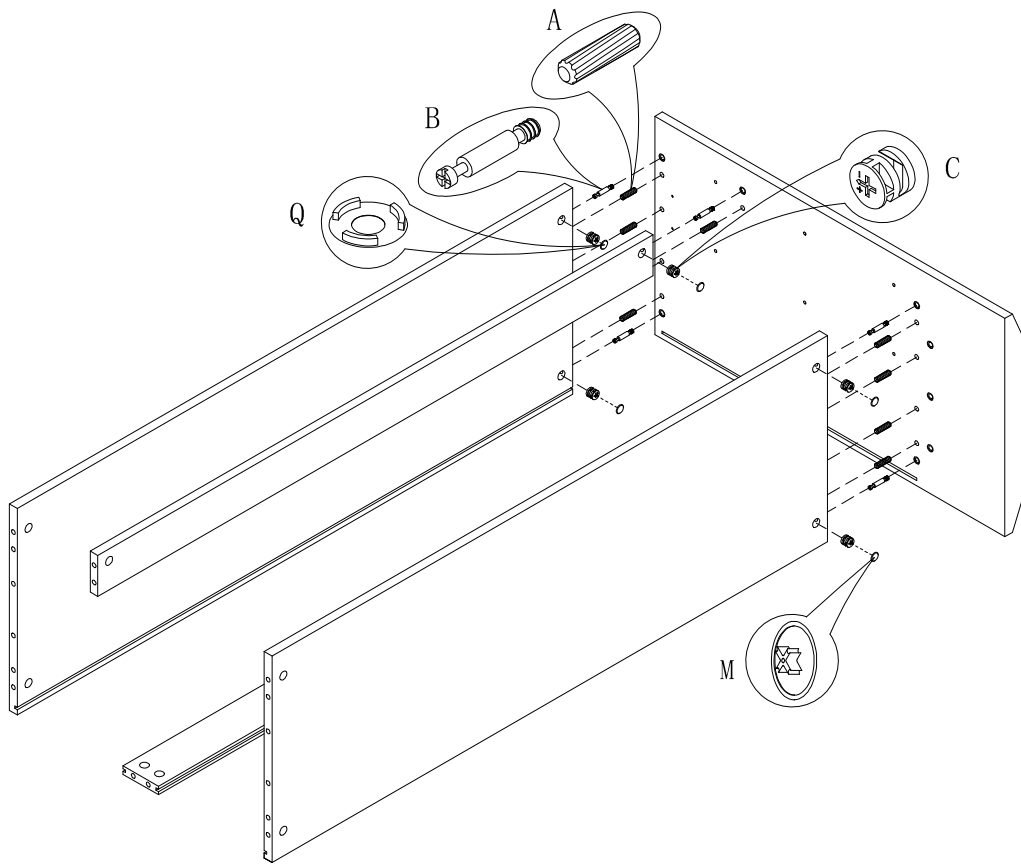
Q x4
Spec:



R x4
Spec: $3.8 \times L16$

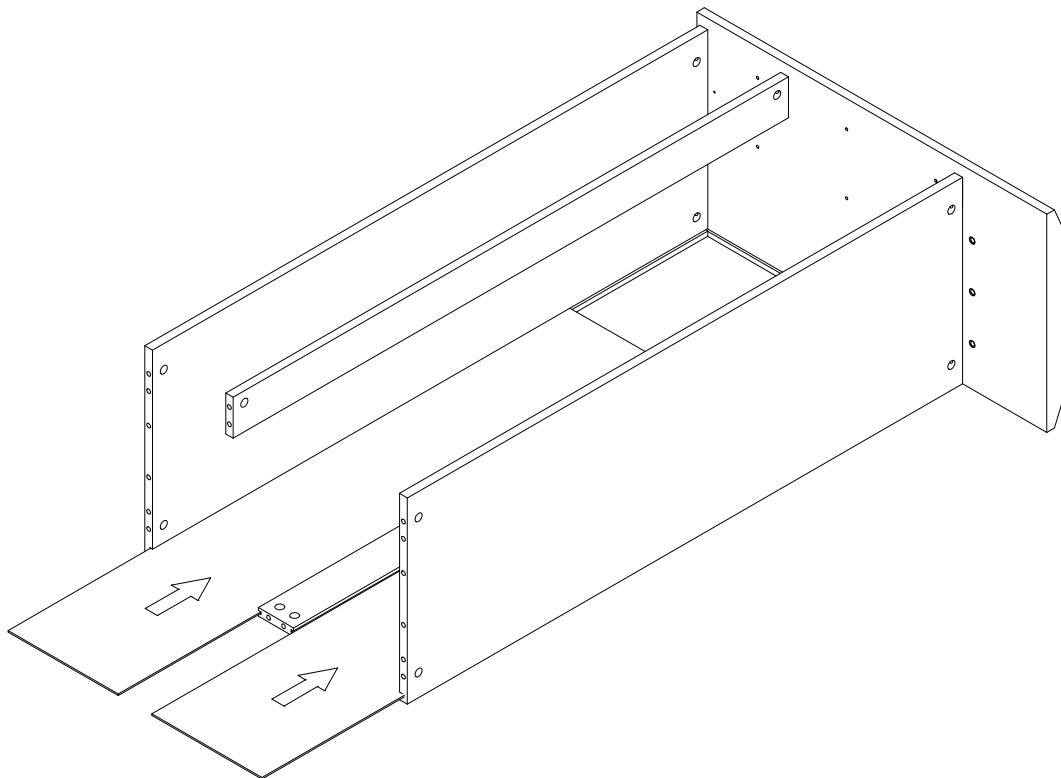


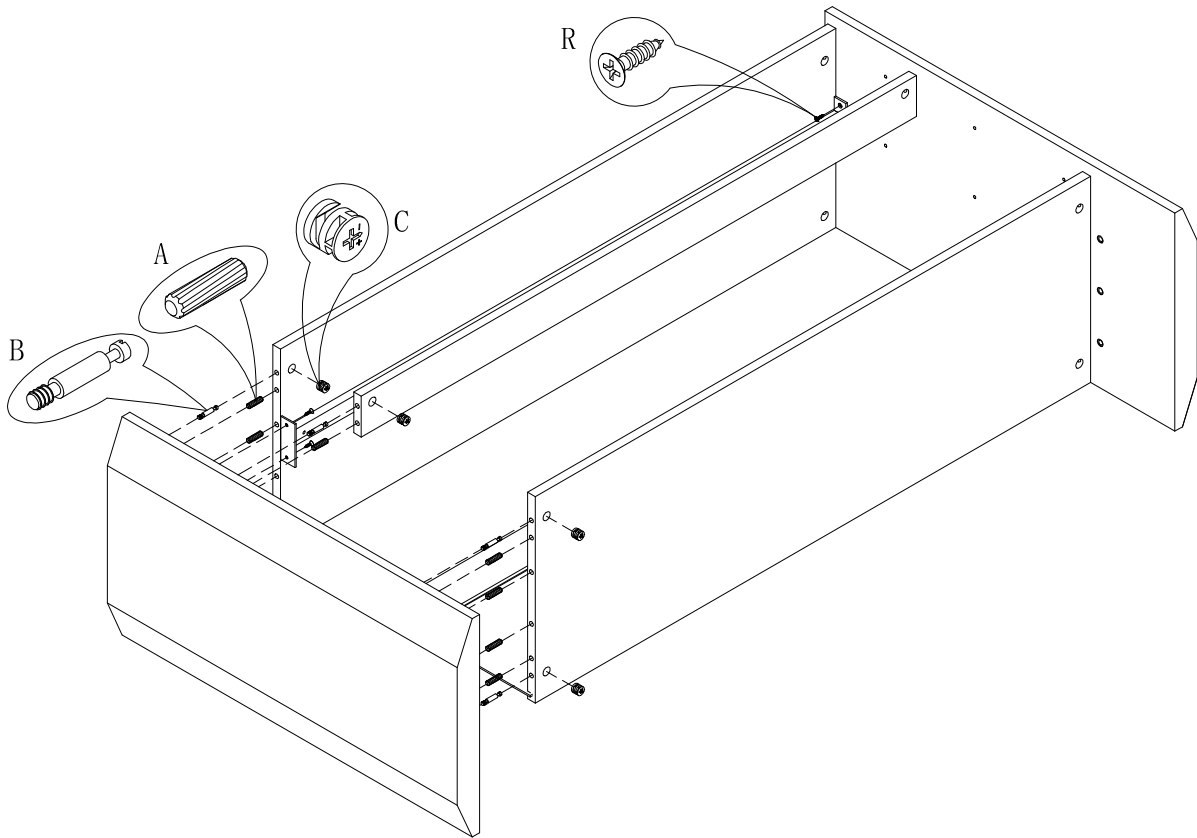
AAA x12
Spec: $\phi 3.8 \times L12$



1

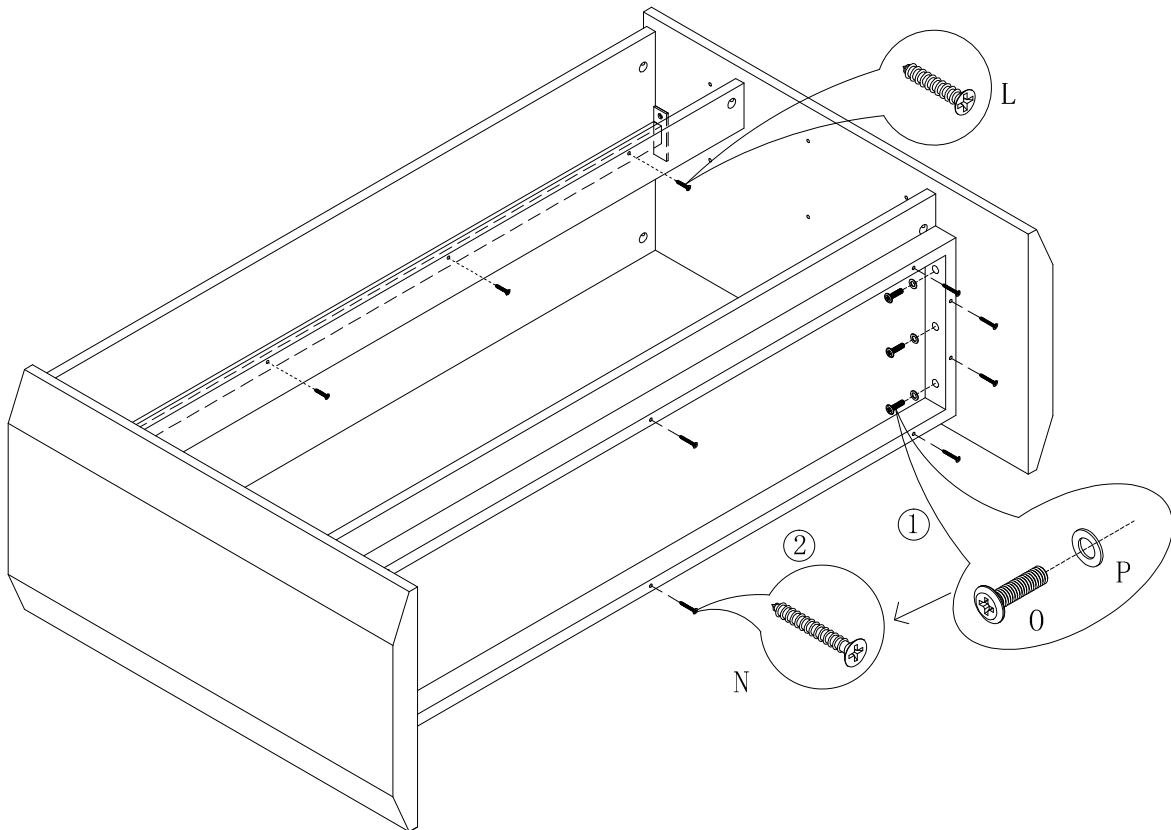
2

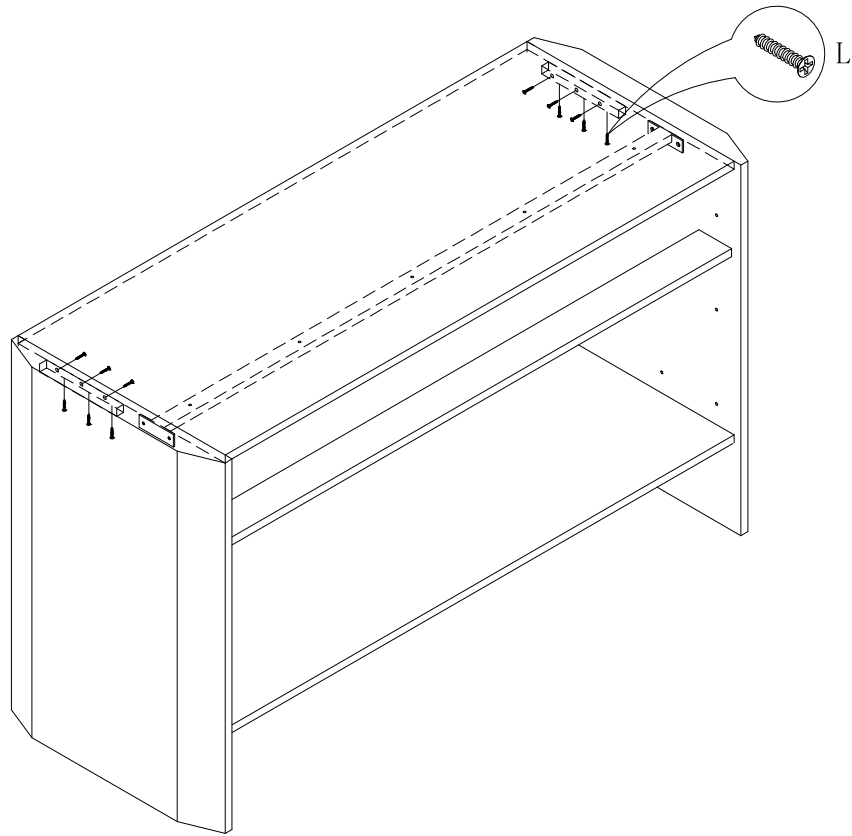




3

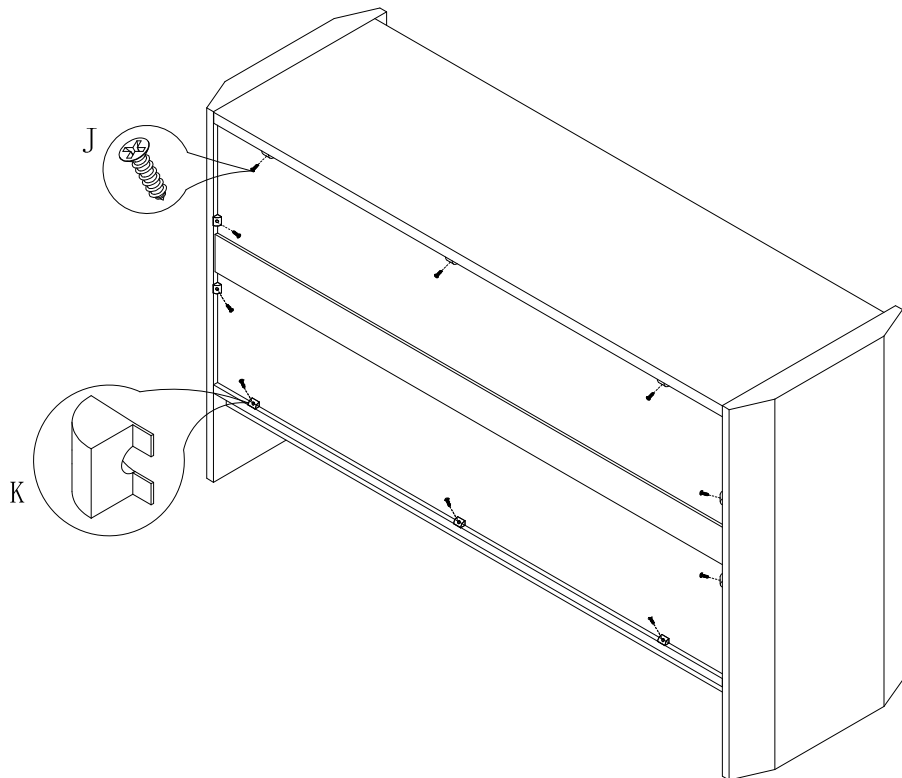
4

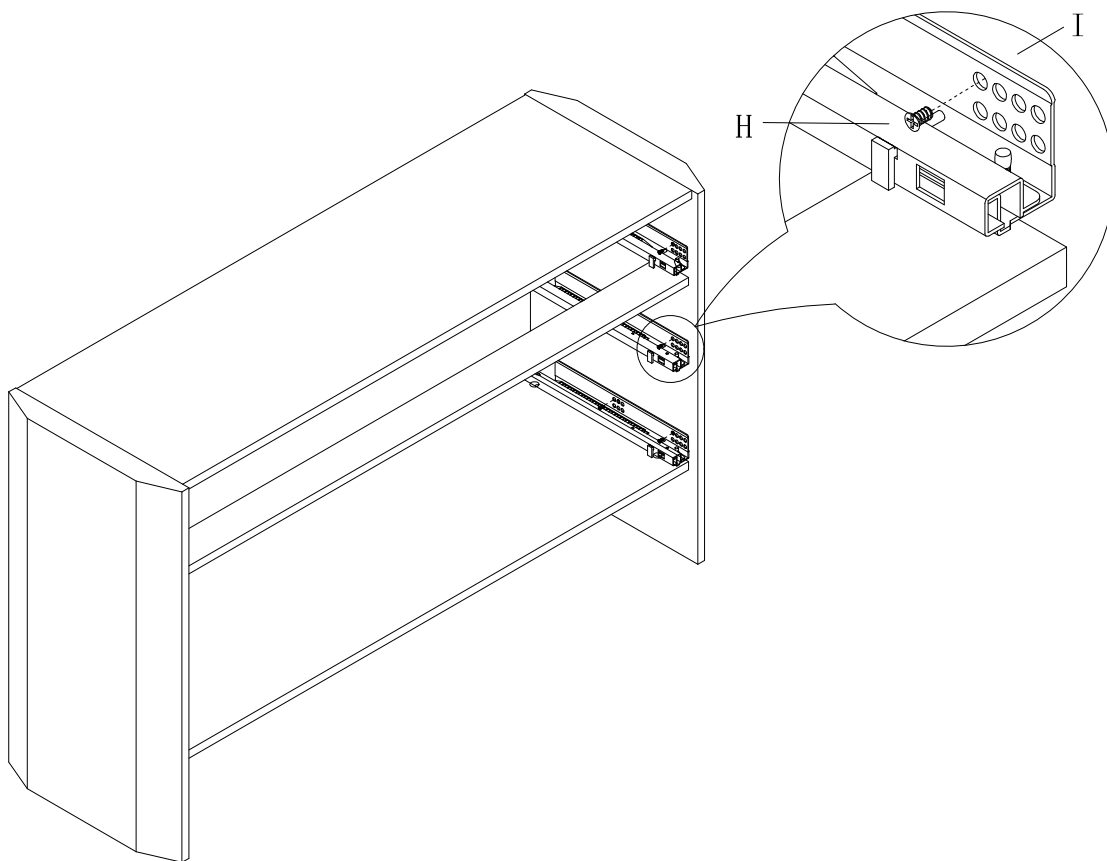




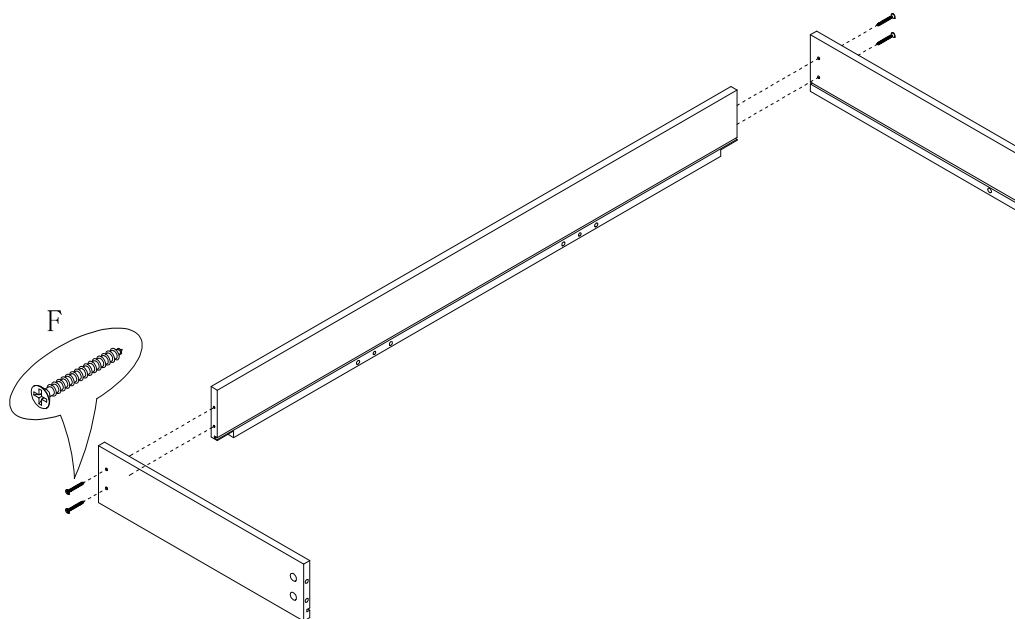
5

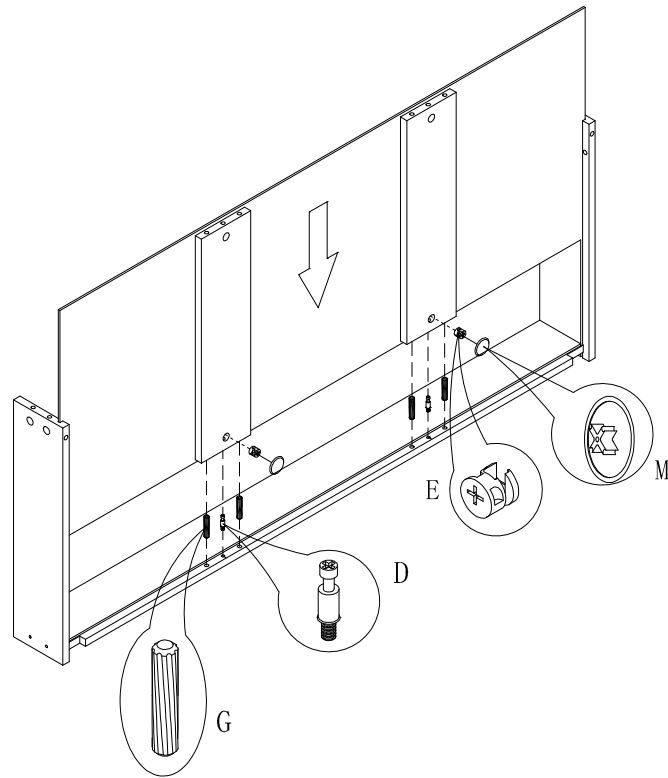
6





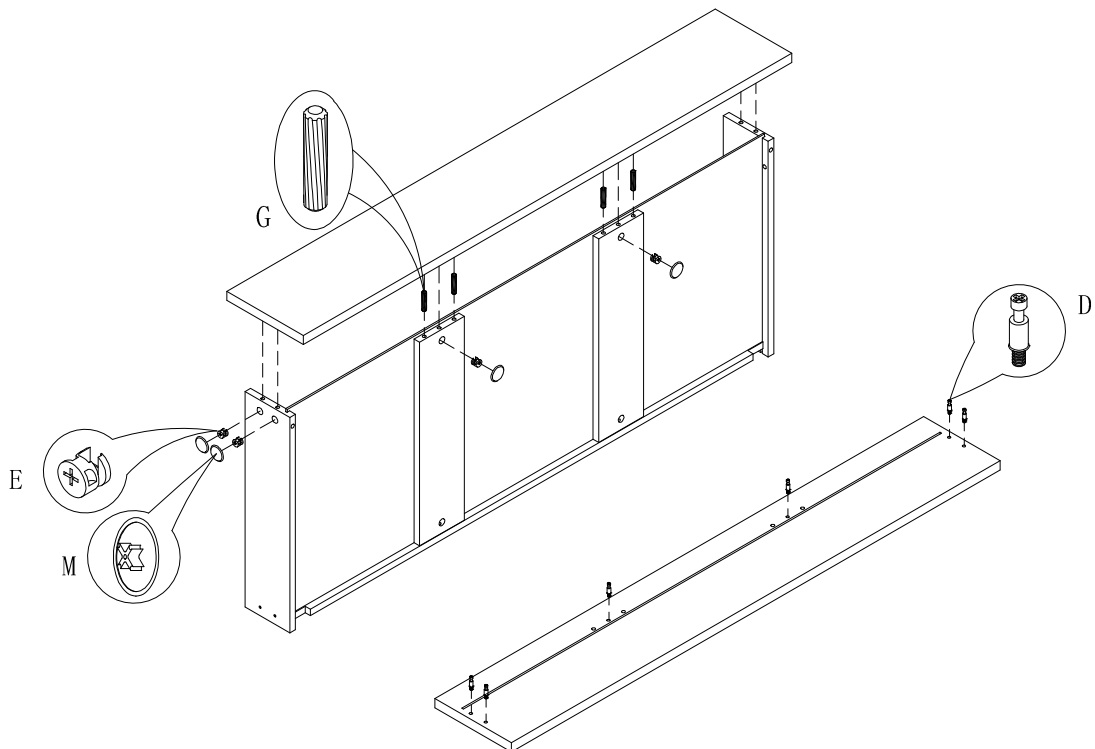
8

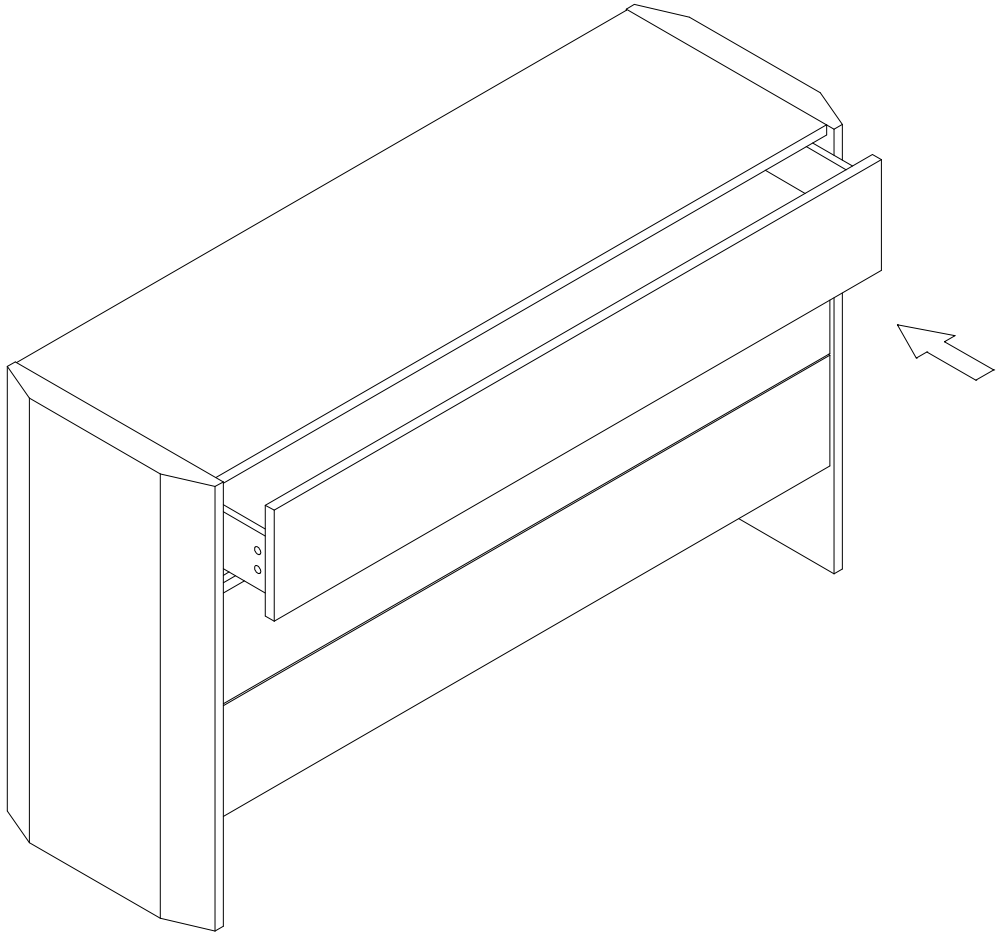




9

10





11
