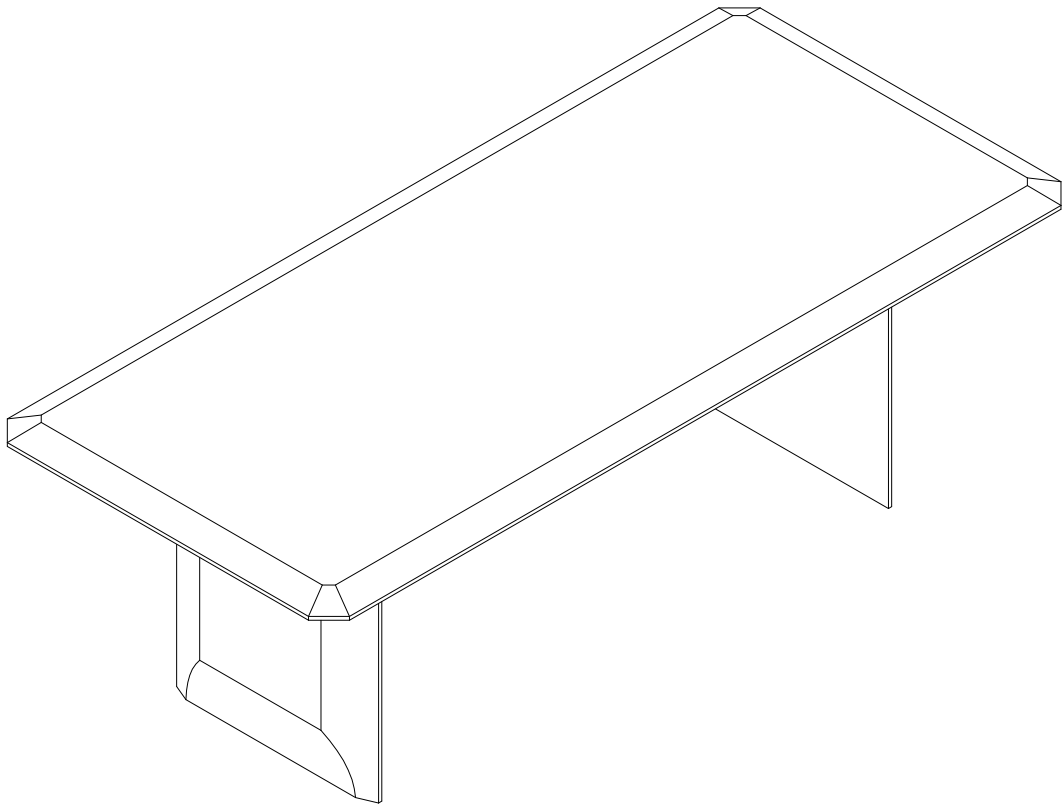


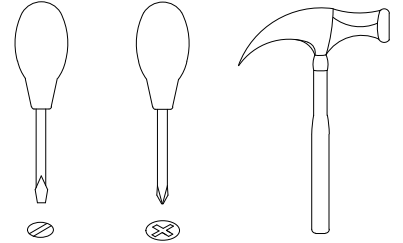
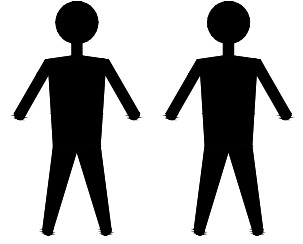
MOD
interiors

CP1907D

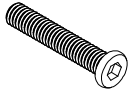


EAC

CP1907D



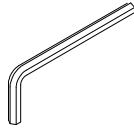
A x4
Spec: $\phi 10 * L40$



C x24
Spec: 5/16*30



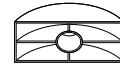
D x24
Spec: $\phi 8 * \phi 14$



E x1
Spec: 5#



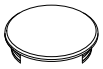
F x2
Spec: M8*L95



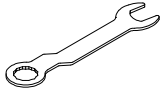
G x2
Spec:



H x2
Spec: M8



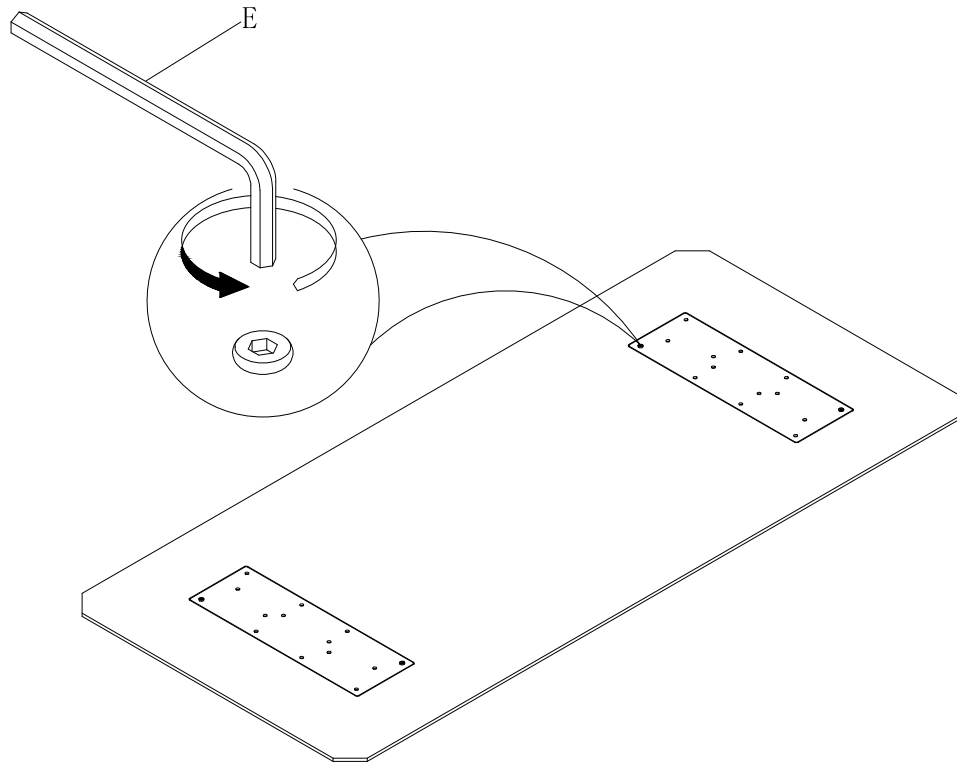
I x2
Spec: $\phi 38$



J x1
Spec: 14#

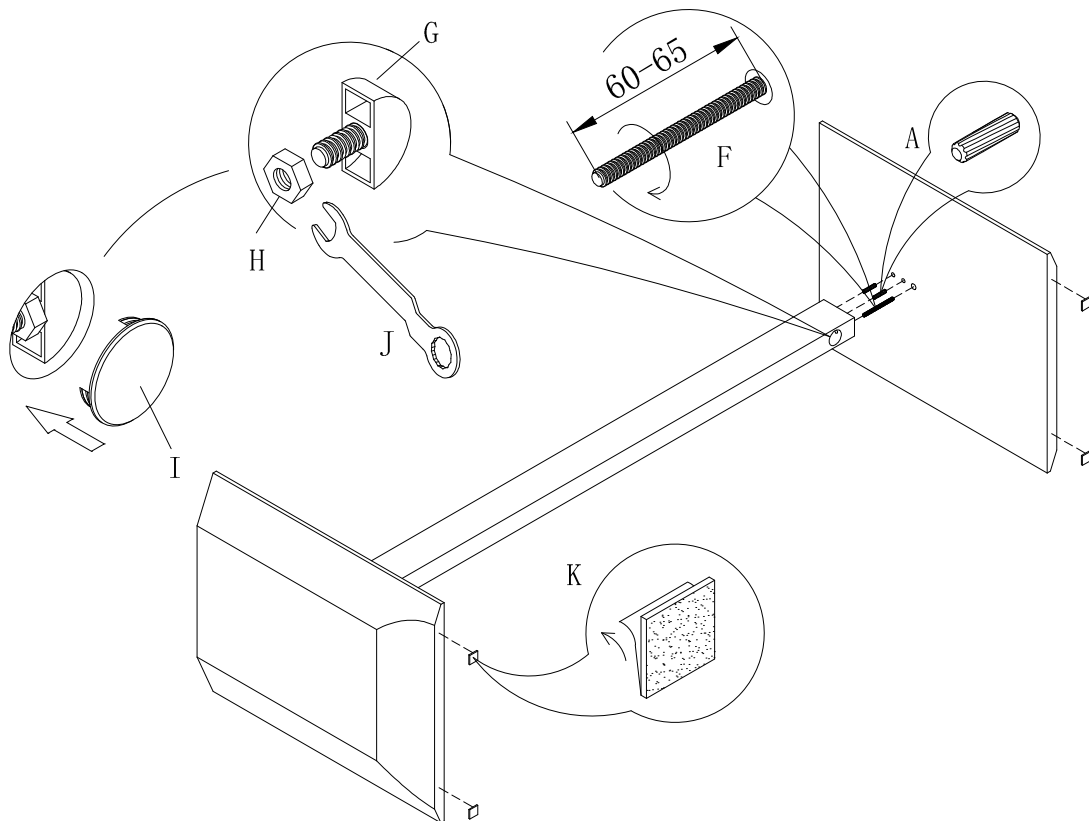


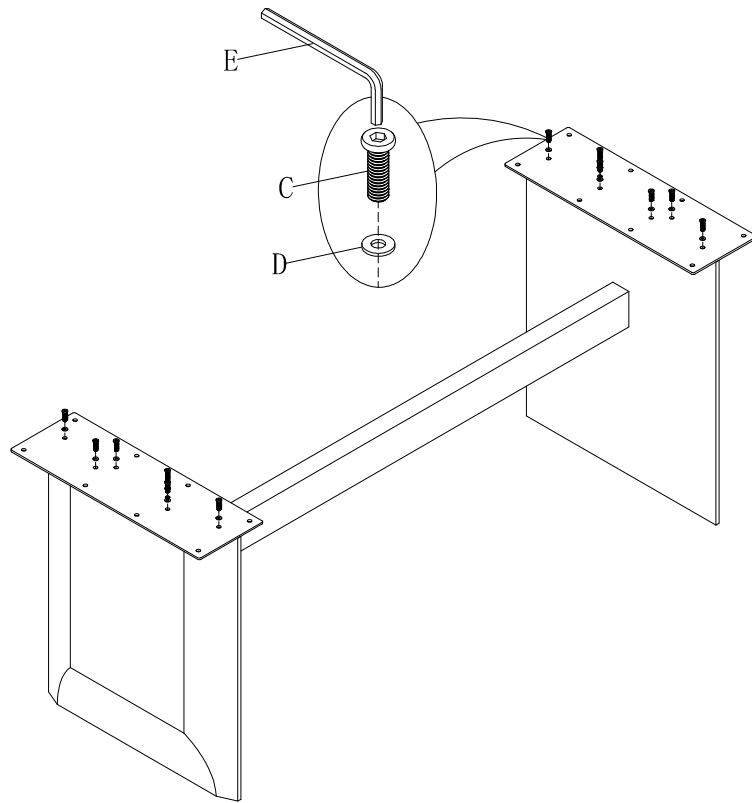
K x4
Spec: 25*25



1

2





3

4

