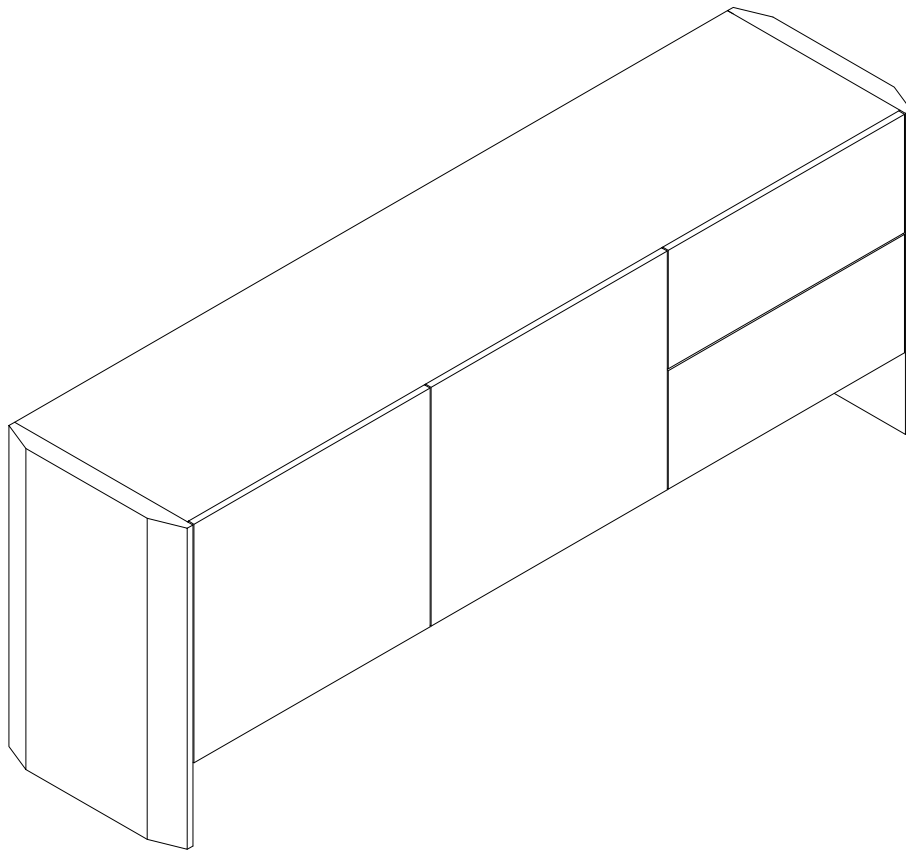


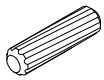
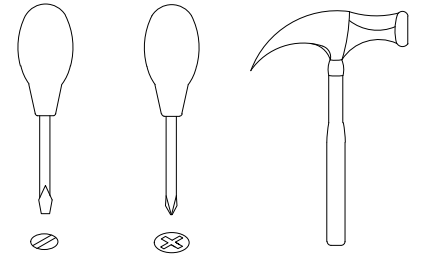
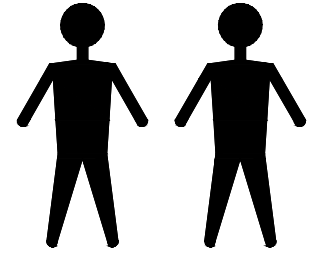


CP1907E2-50

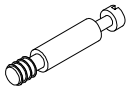


EAC

CP1907E



A x26
Spec: $\varnothing 8 \times 30$



B x18
Spec: $\varnothing 7 \times L30$



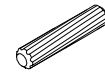
C x18
Spec: $\varnothing 15 \times H12$



D x12
Spec: $\varnothing 6 \times L28$



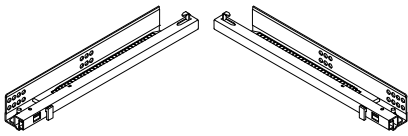
E x12
Spec: $\varnothing 12 \times H9$



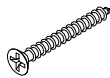
F x24
Spec: $\varnothing 6 \times 30$



G x8
Spec: $\varnothing 6 \times L8$



H x2
Spec: L400



I x8
Spec: $\varnothing 3.5 \times L35$



AAA x8
Spec: $\varnothing 3.8 \times L12$



K x26
Spec:



L x6
Spec: M6*35



M x6
Spec: $\varnothing 8.2 \times \varnothing 14$



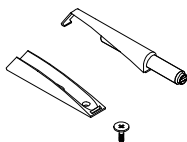
N x12
Spec: $\varnothing 3.8 \times L50$



O x8
Spec: $\varnothing 5 \times L19$



P x8
Spec: $\varnothing 20 \times H12$



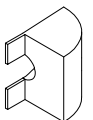
Q x2
Spec:



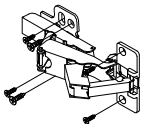
R x4
Spec: $\varnothing 3.5 \times L11$



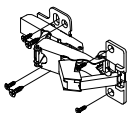
S x18
Spec: $\varnothing 3.5 \times L16$



T x18
Spec: H13



U x3
Spec: 089#



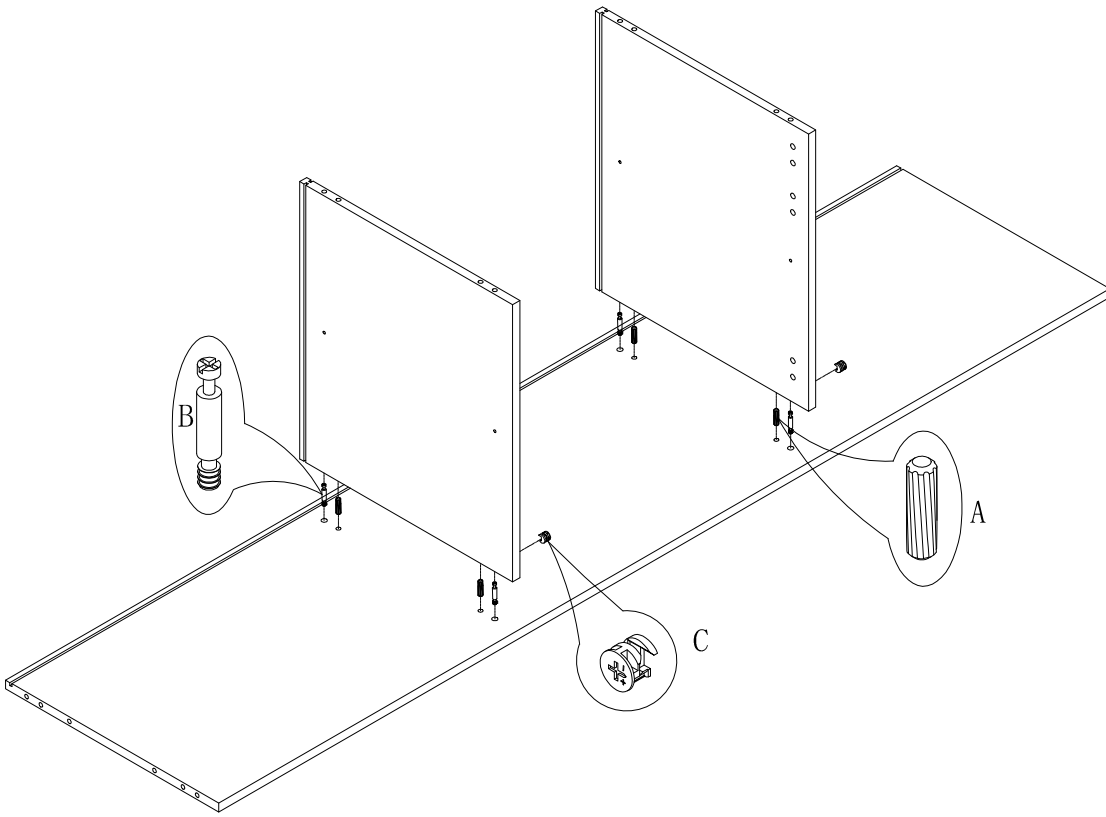
V x3
Spec: 079#



W x12
Spec: $3.8 \times L16$

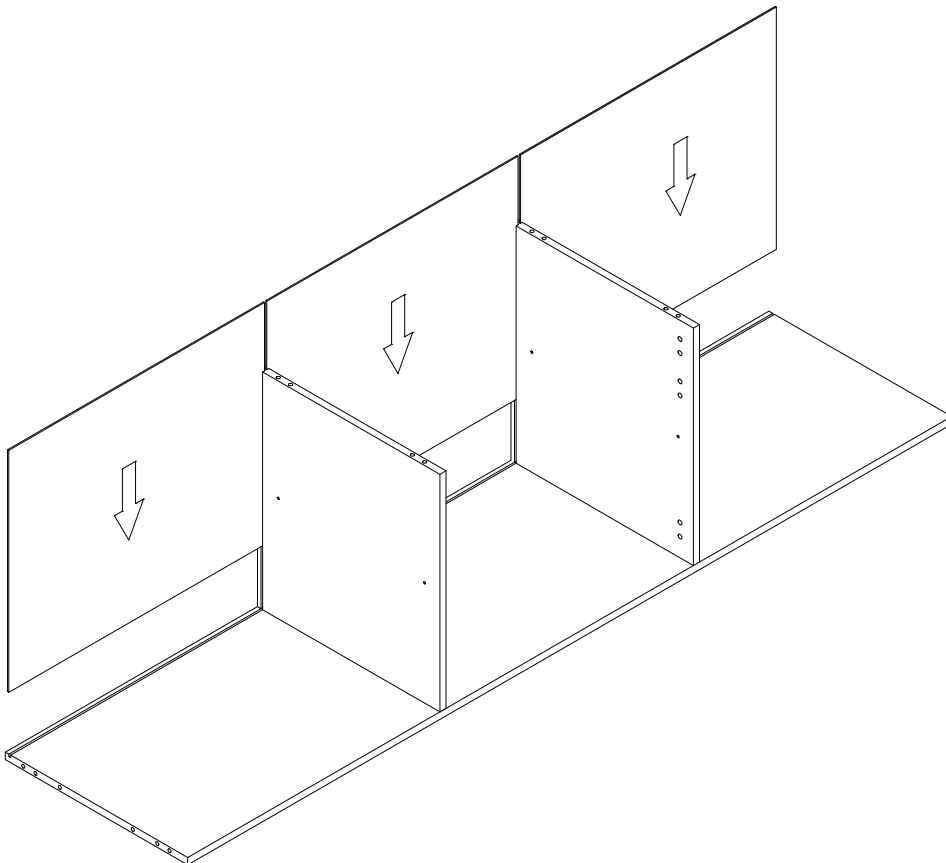


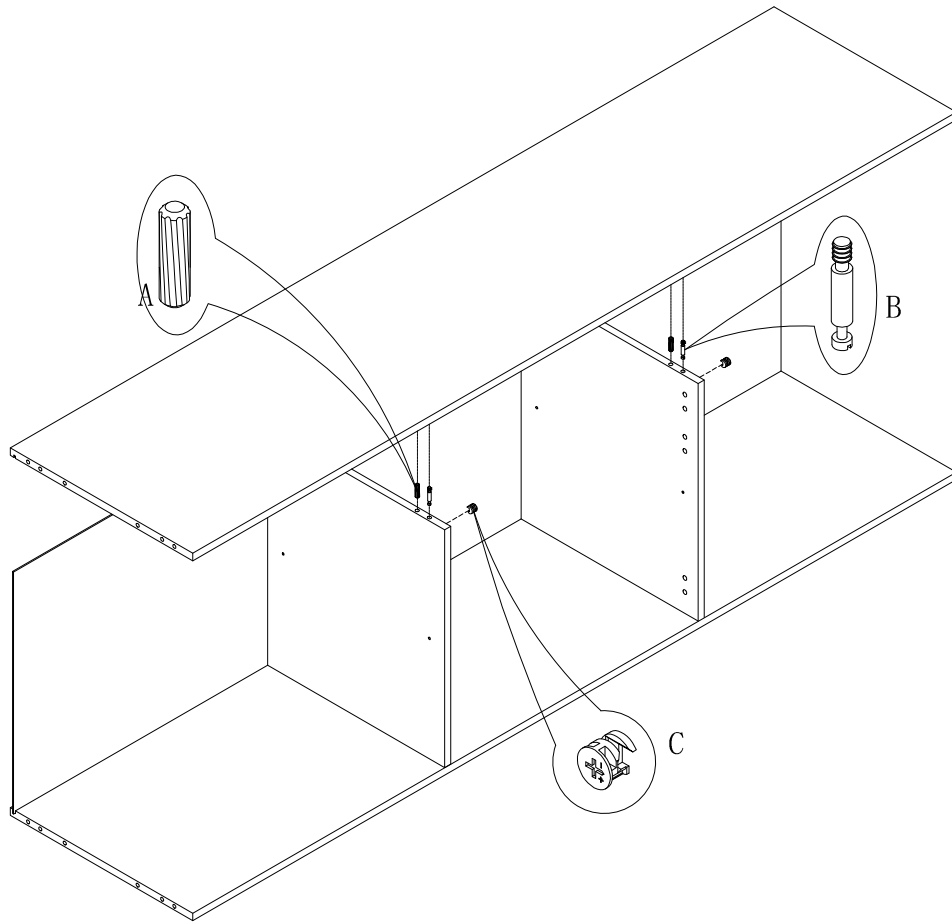
X x4
Spec:



1

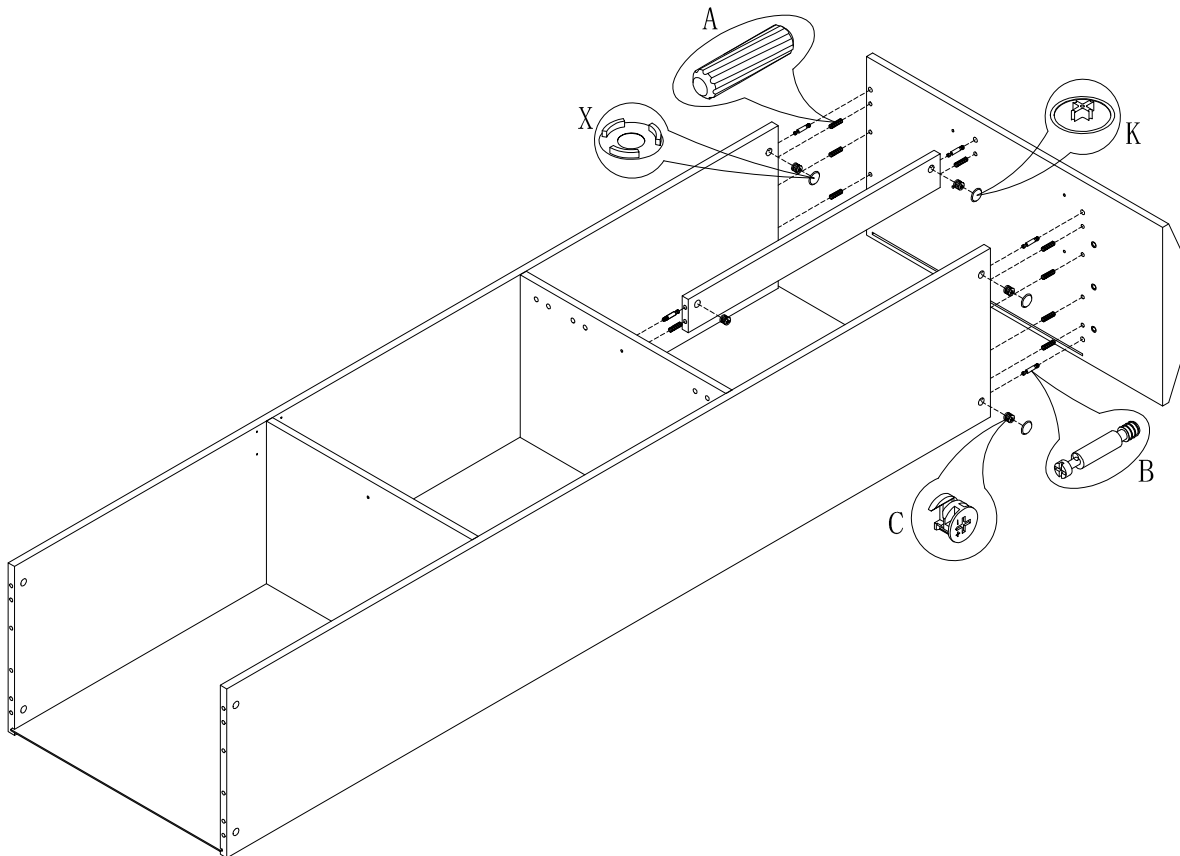
2

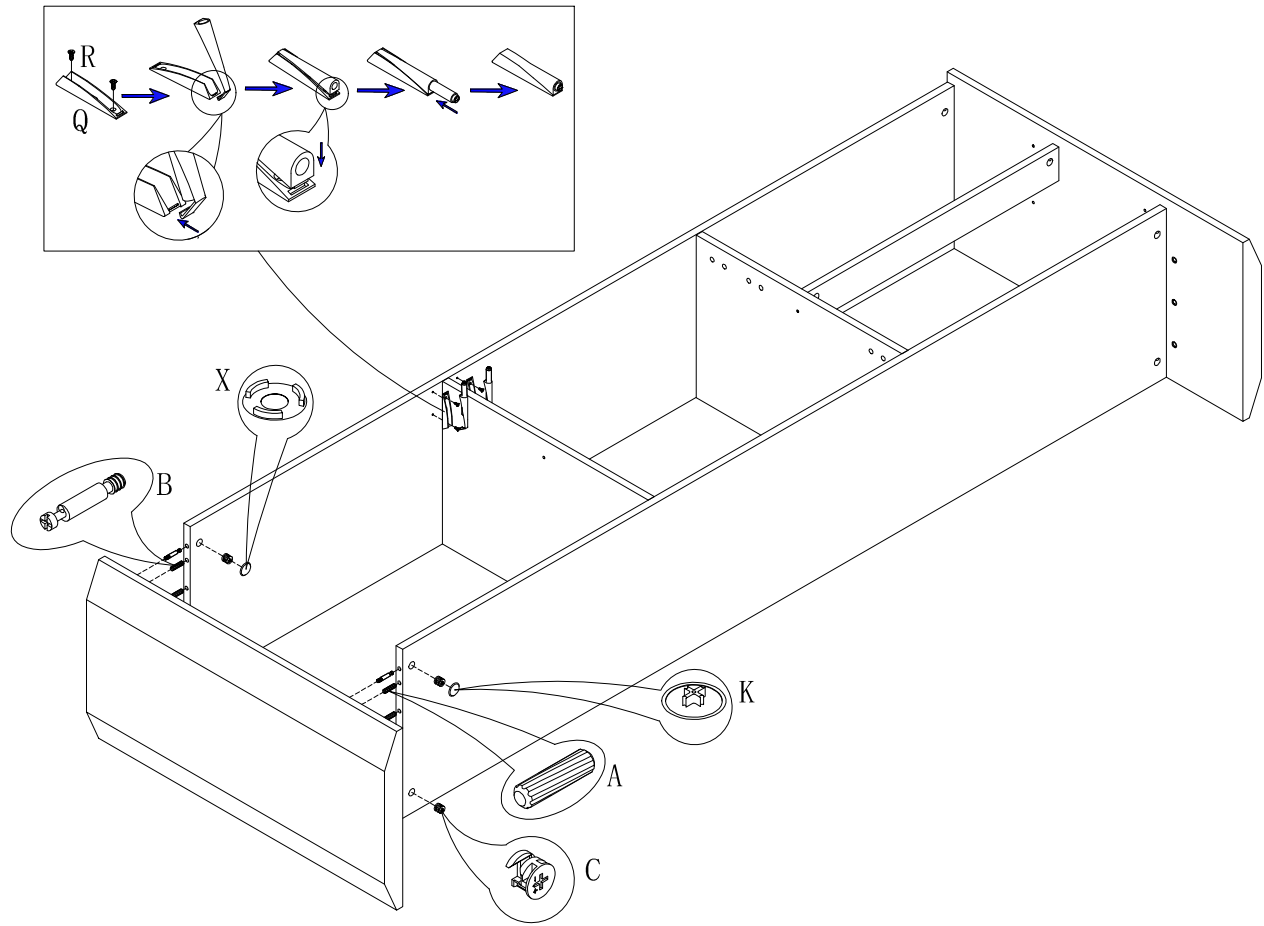




3

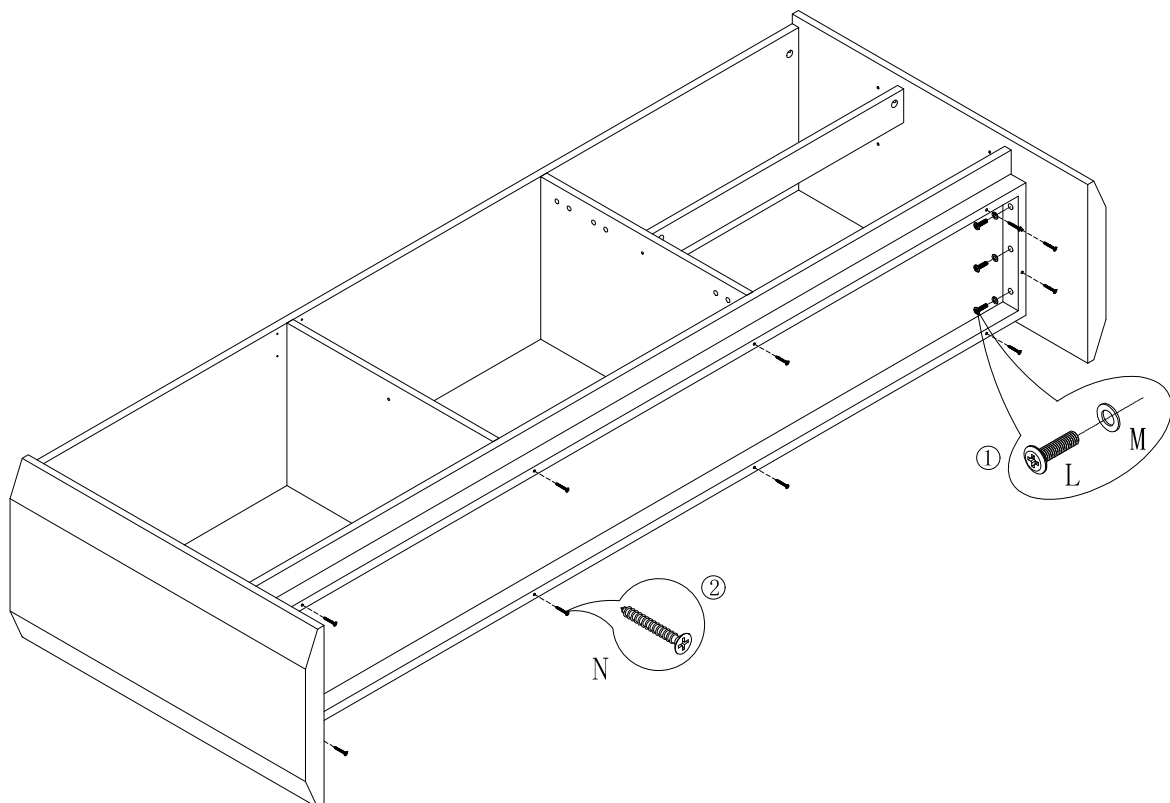
4

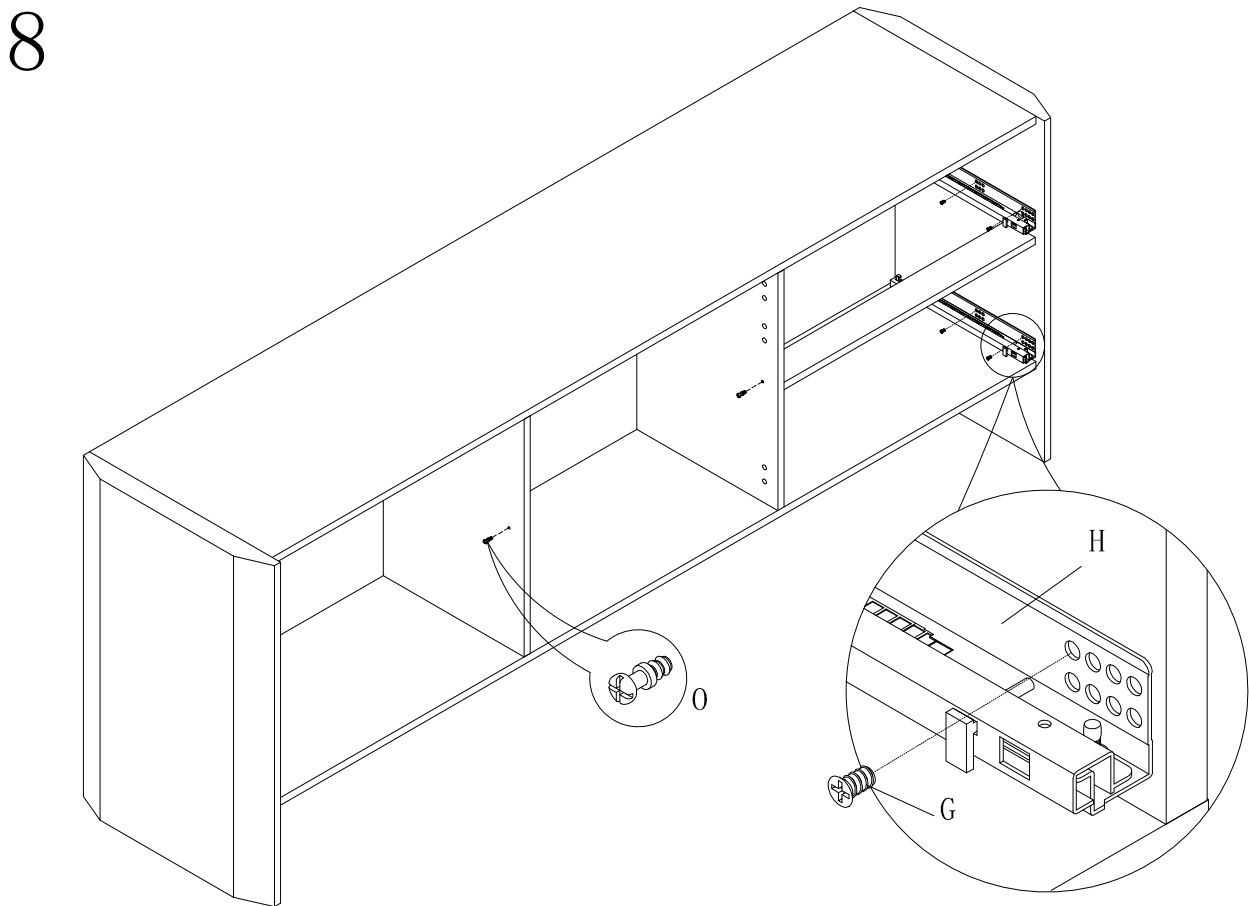
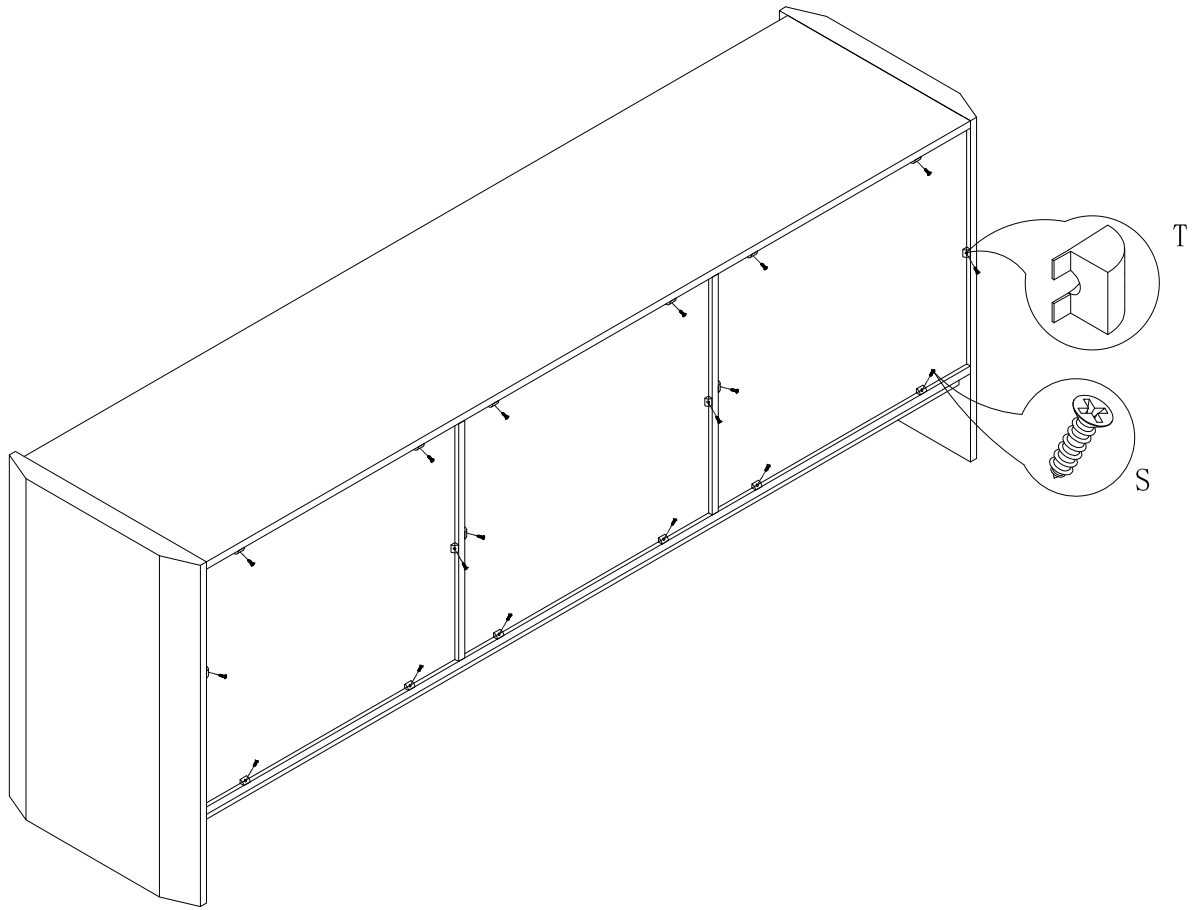


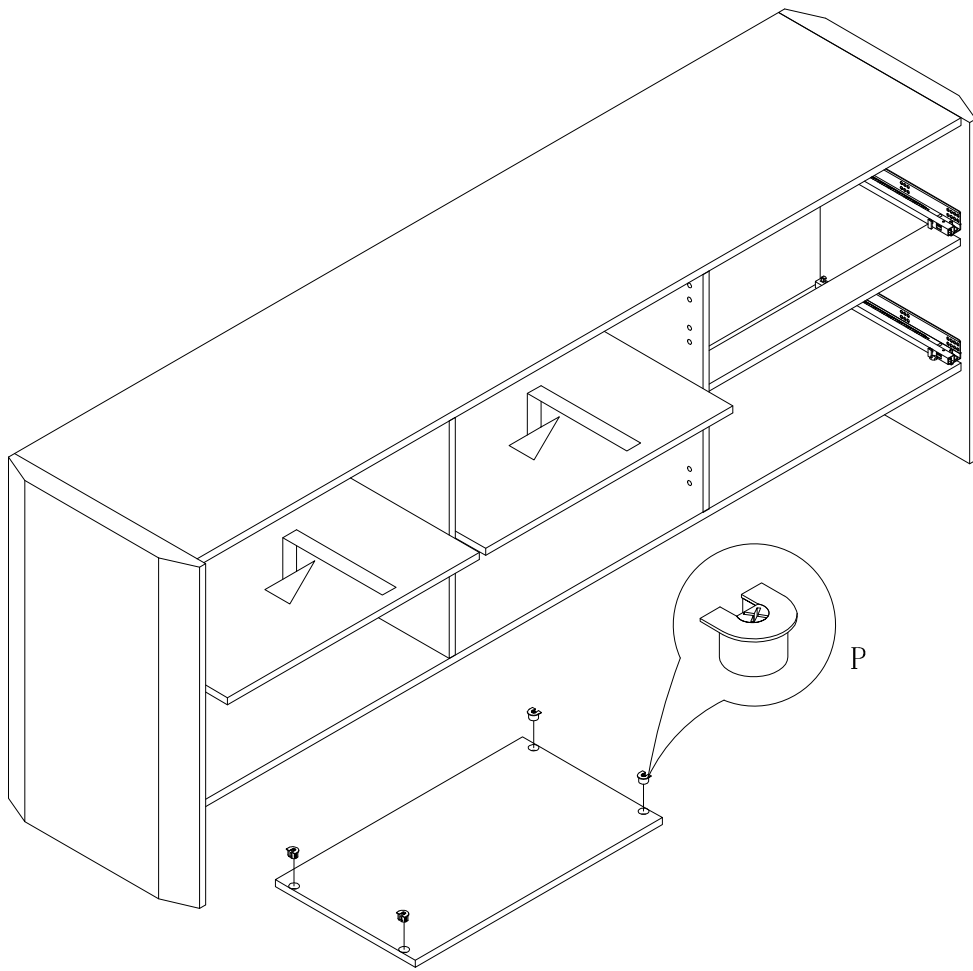


5

6

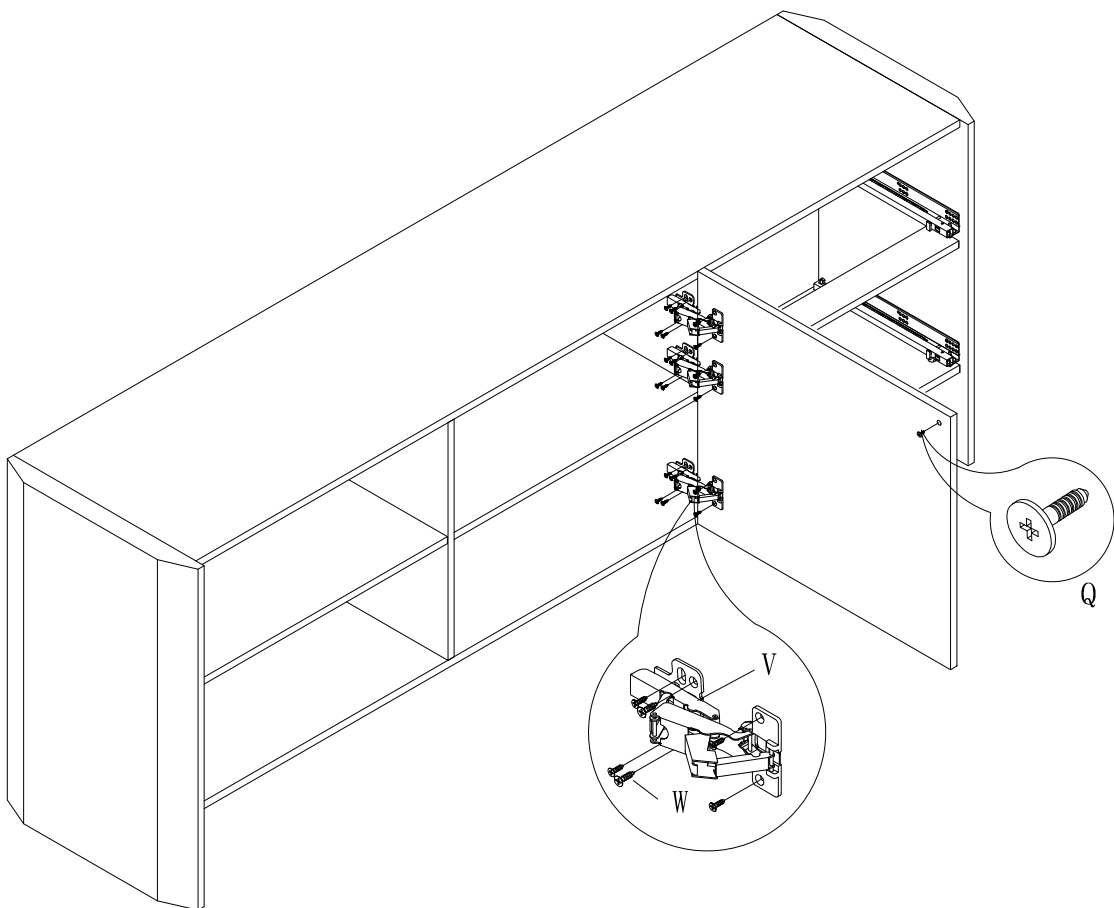


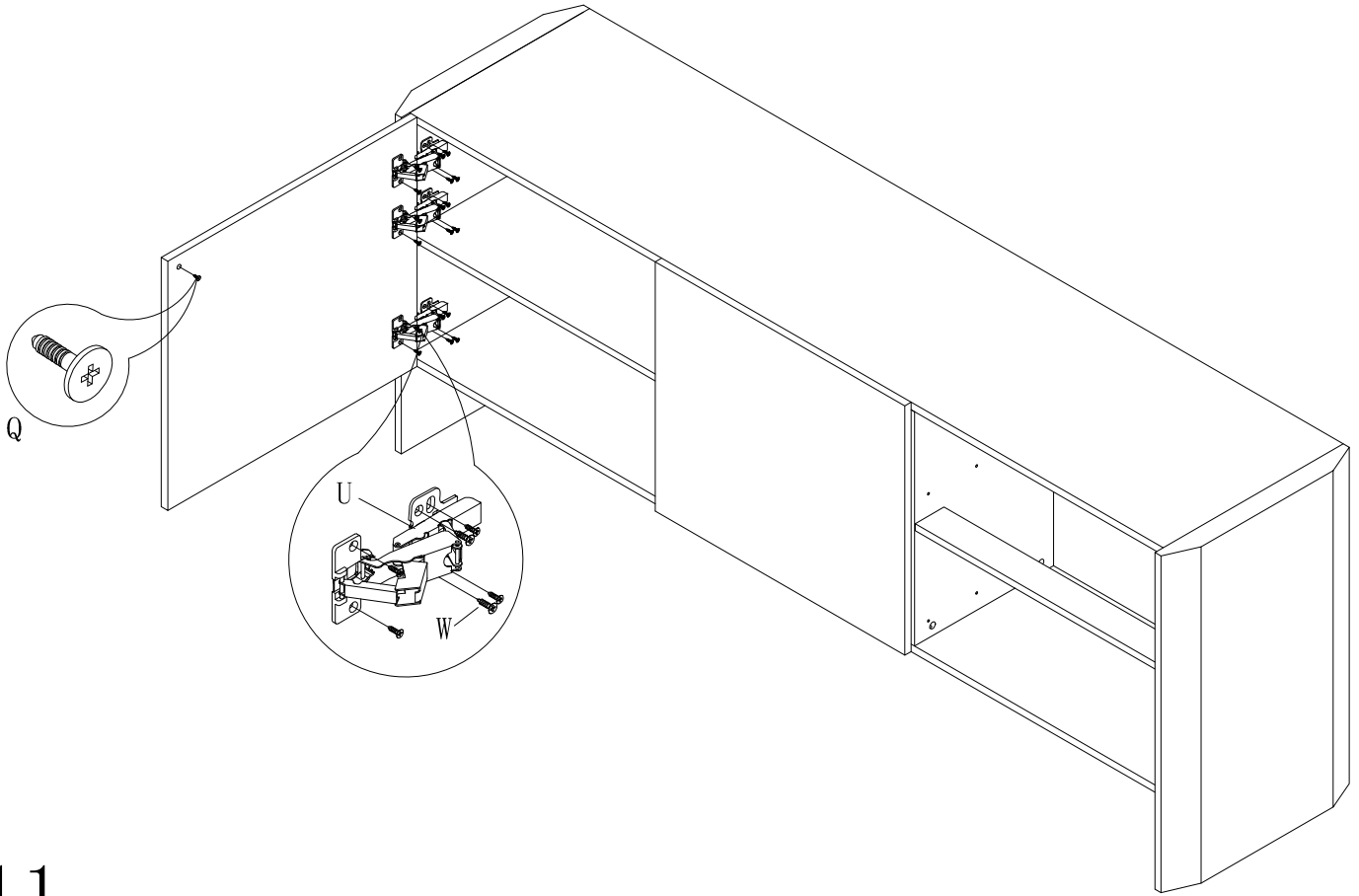




9

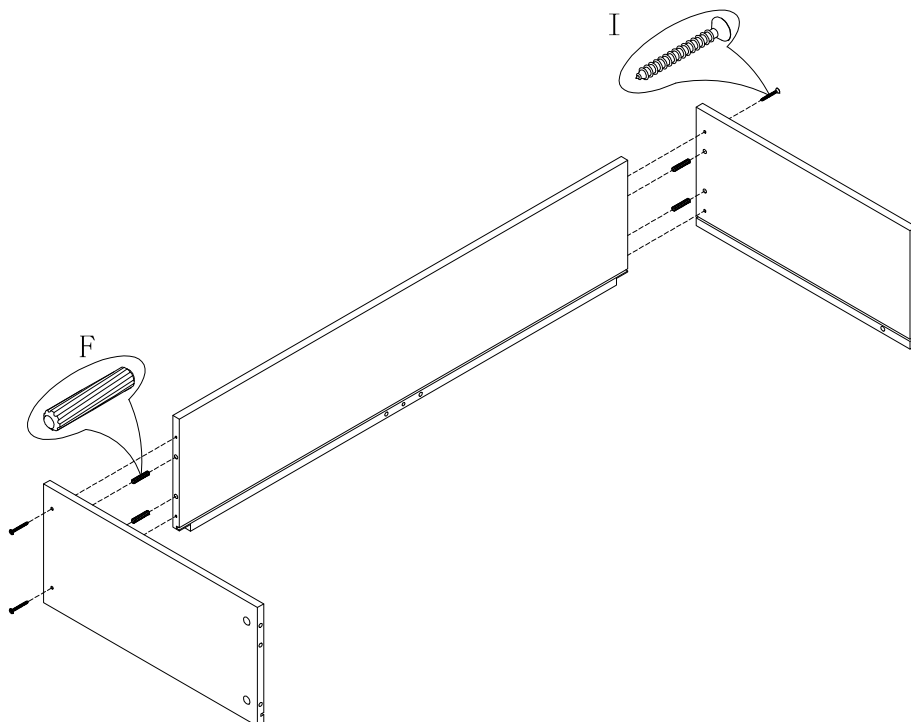
10

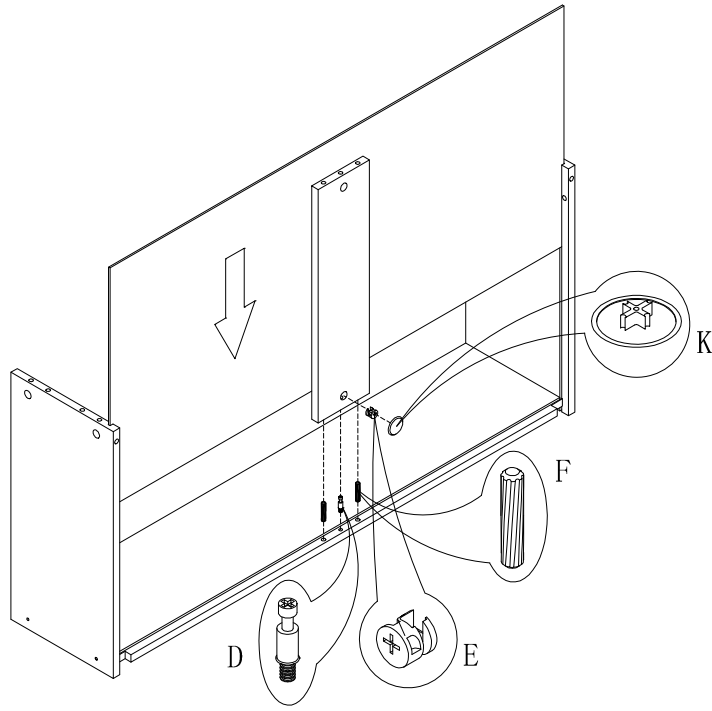




11

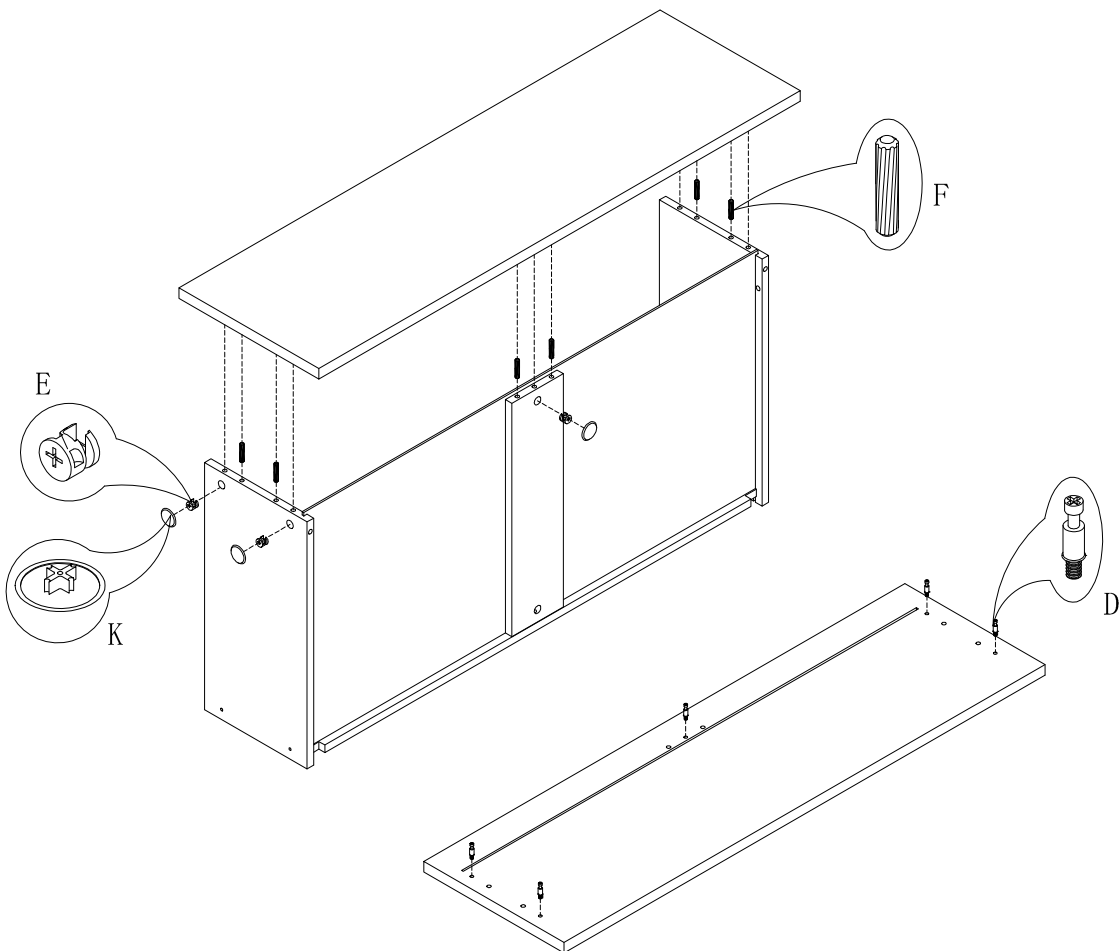
12

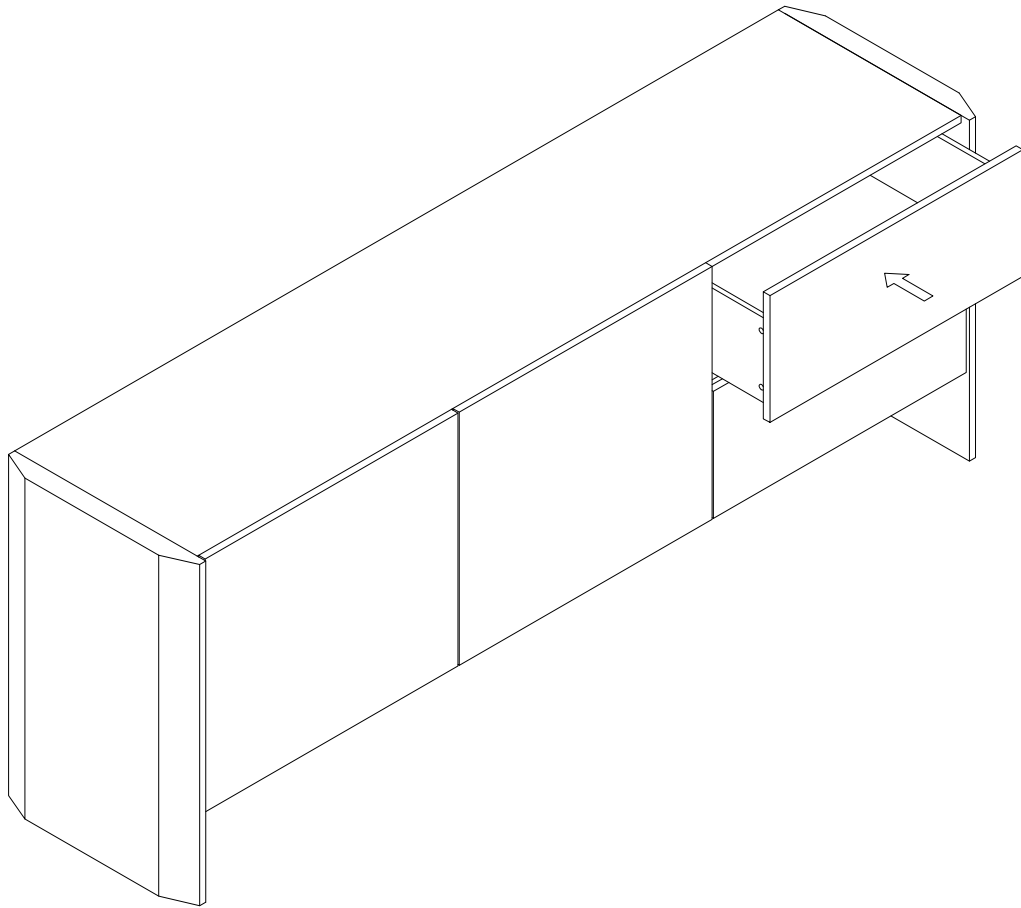




13

14





15

16

