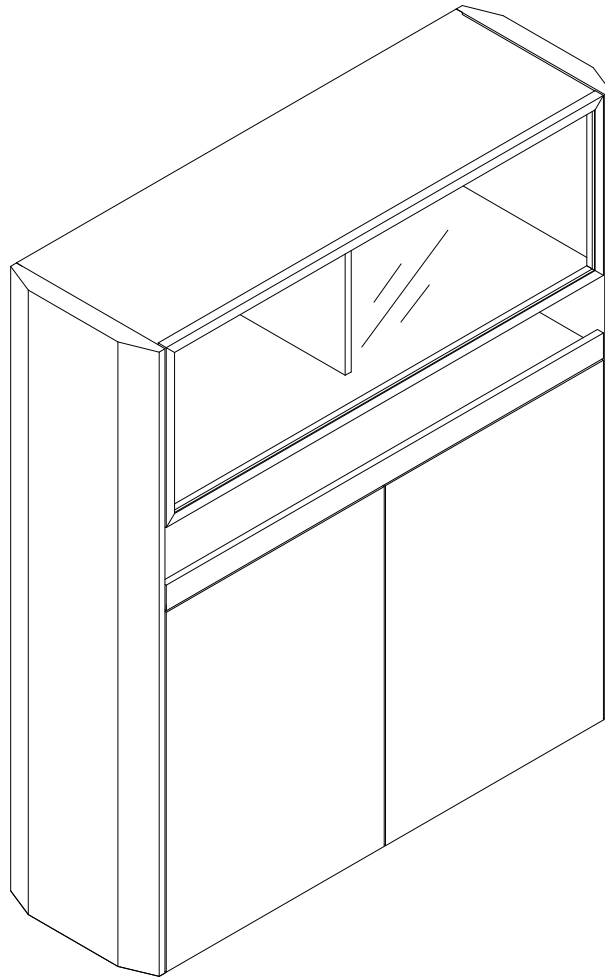
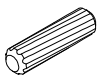
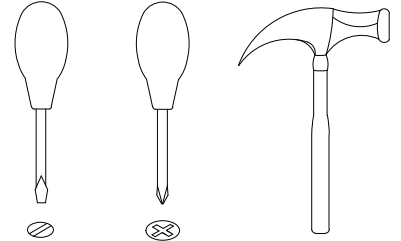
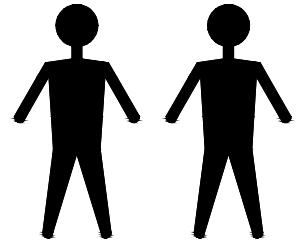




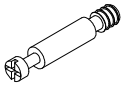
CP1907F1



CP1907F1



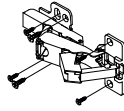
A x36
Spec: $\varnothing 8 \times 30$



B x24
Spec: $\varnothing 7 \times L30$



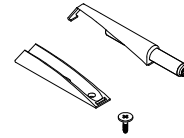
C x24
Spec: $\varnothing 15 \times H12$



D x6
Spec: 089#



E x16
Spec: $3.8 \times L16$



F x2
Spec:



G x4
Spec: $\varnothing 3.5 \times L11$



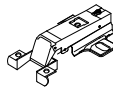
H x20
Spec:



J x5
Spec: $\varnothing 60 \times 25$



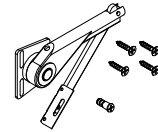
K x5
Spec: $\varnothing 3.8 \times L32$



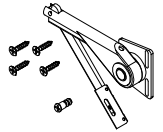
L x2
Spec: 048#-1



M x4
Spec: $\varnothing 4 \times 6.5$



N x1
Spec: 10#



O x1
Spec: 10#



P x4
Spec:



Q x8
Spec: $\varnothing 5 \times L19$



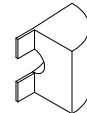
R x8
Spec: $\varnothing 20 \times H12$



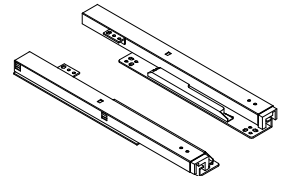
S x4
Spec: $\varnothing 4 \times 11$



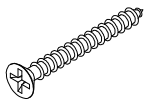
T x20
Spec: $\varnothing 3.5 \times L16$



U x20
Spec: H13



V x1
Spec: L350



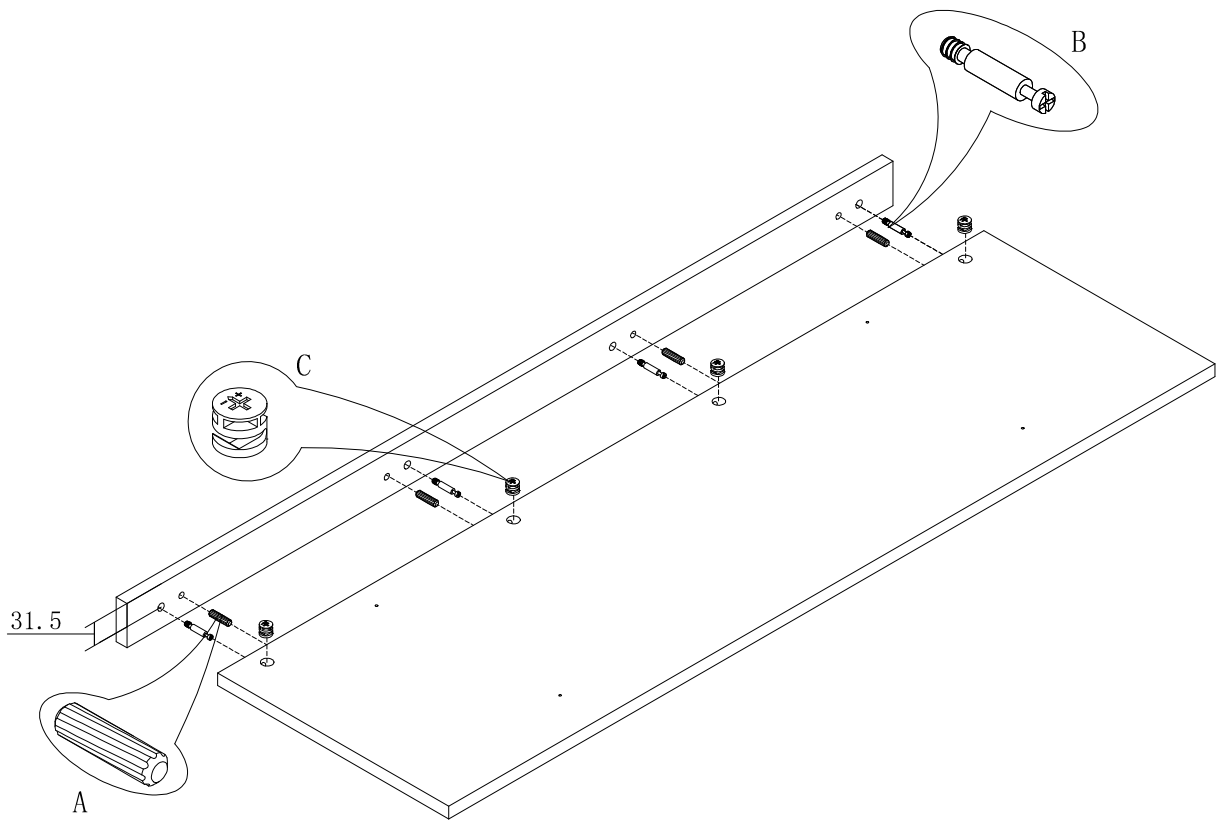
W x4
Spec: $\varnothing 3.8 \times L38$



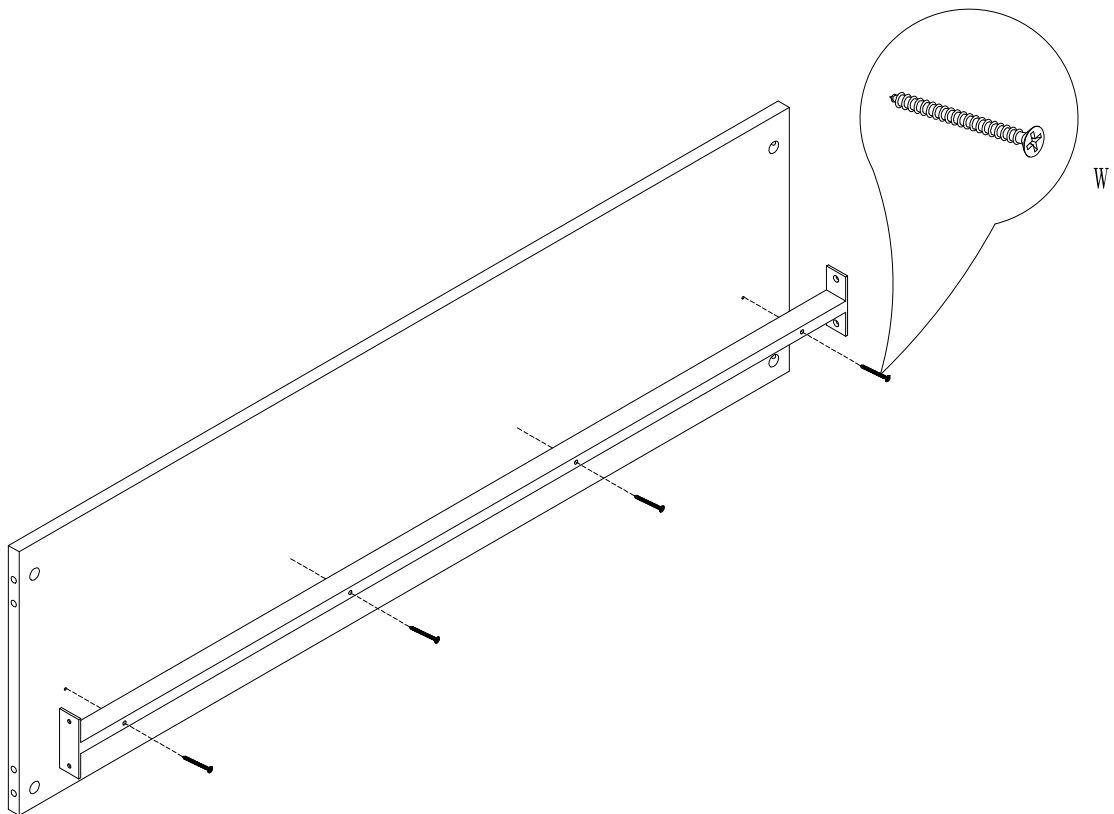
X x16
Spec: $\varnothing 3.8 \times L12$

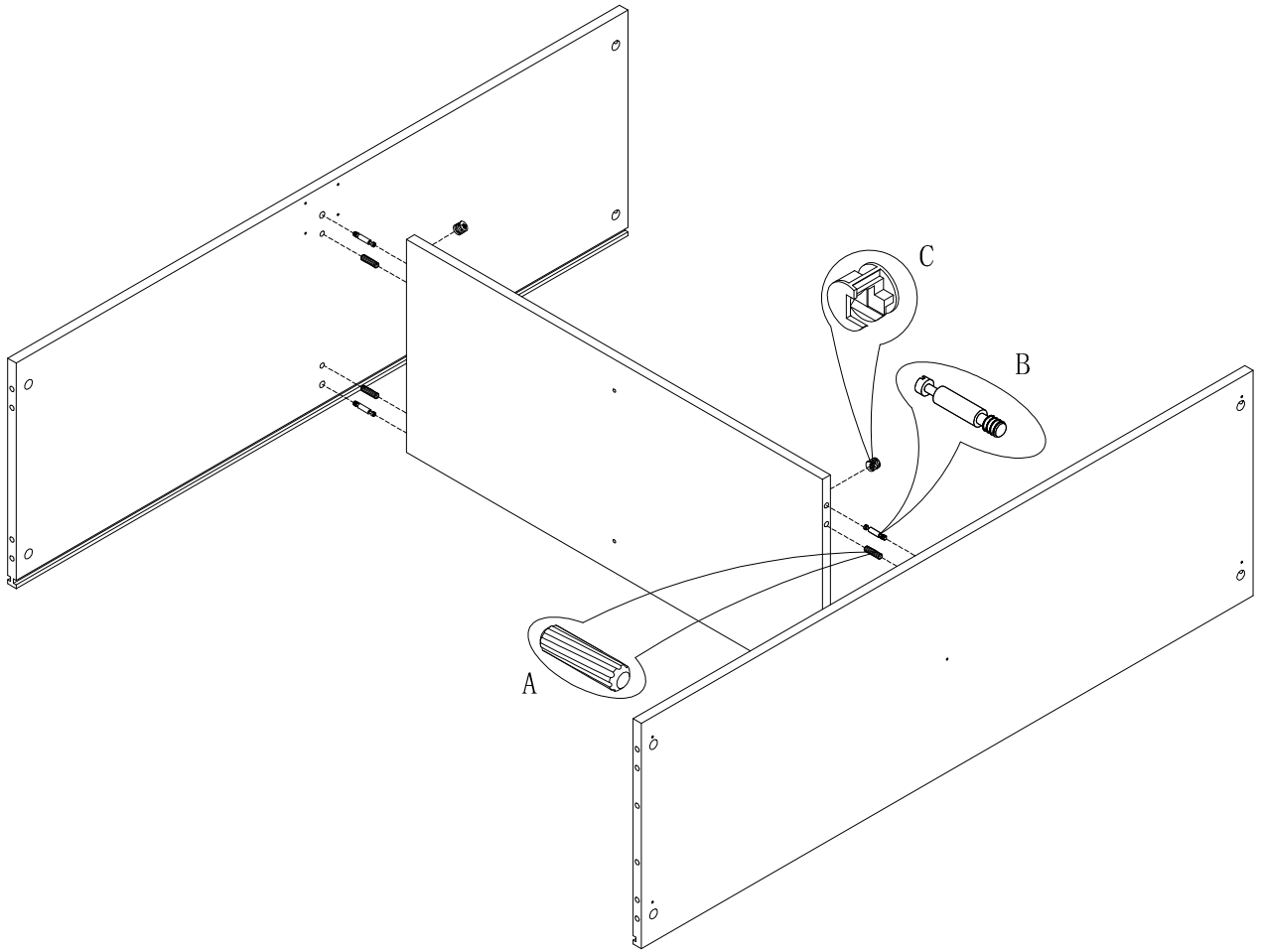


Y x4
Spec: $\varnothing 4 \times 8$



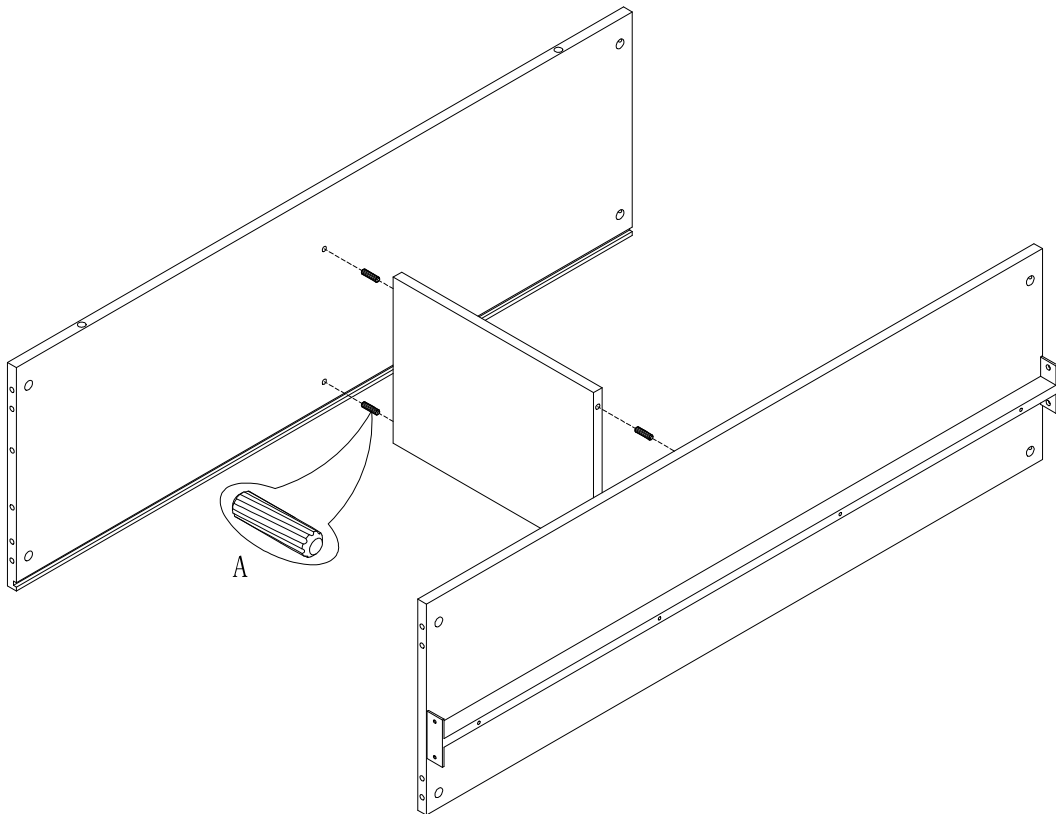
2

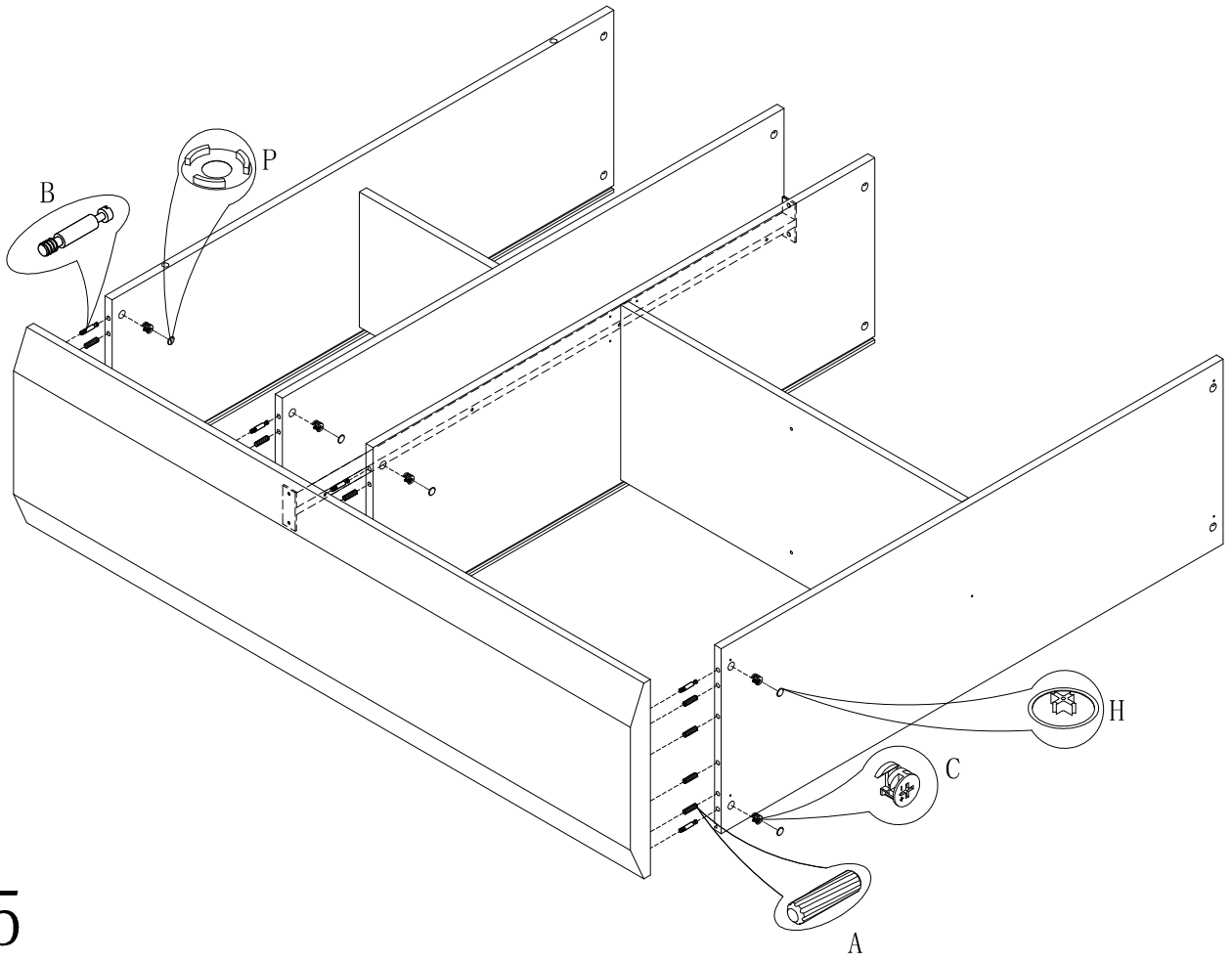




3

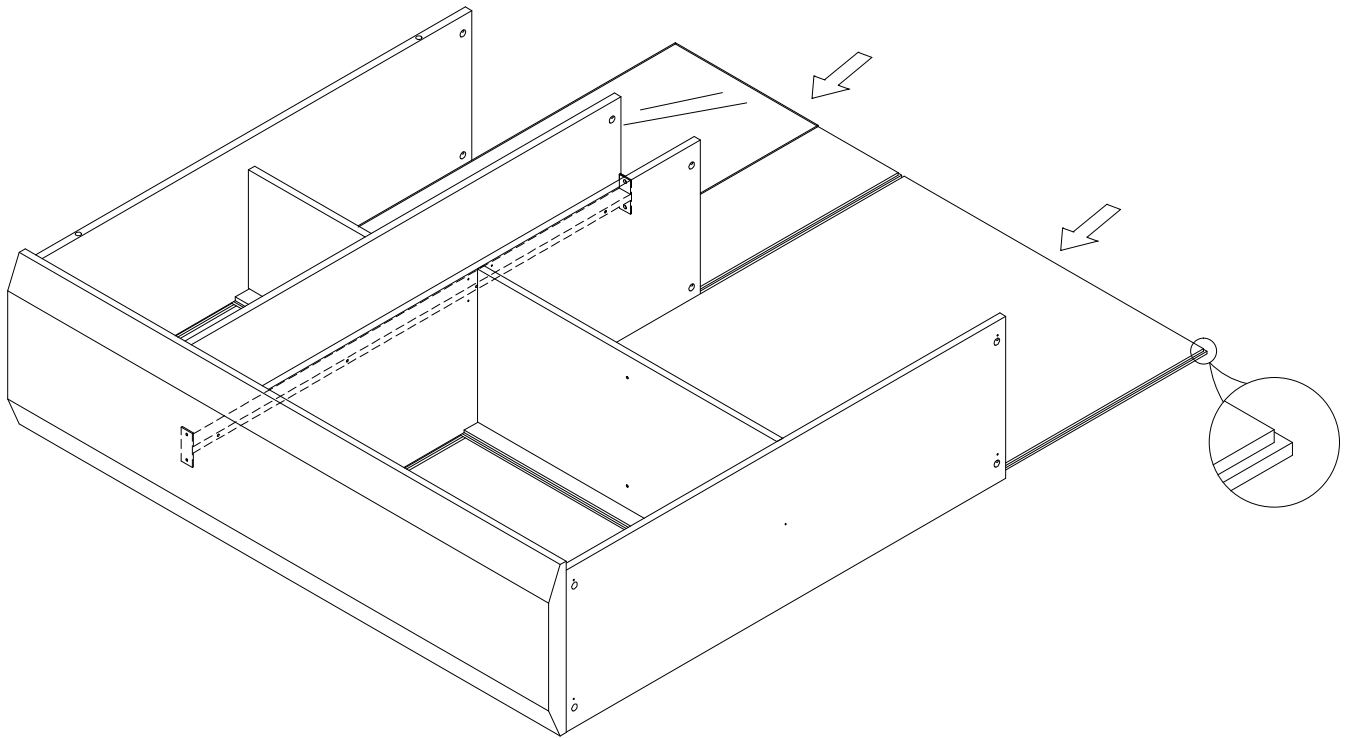
4

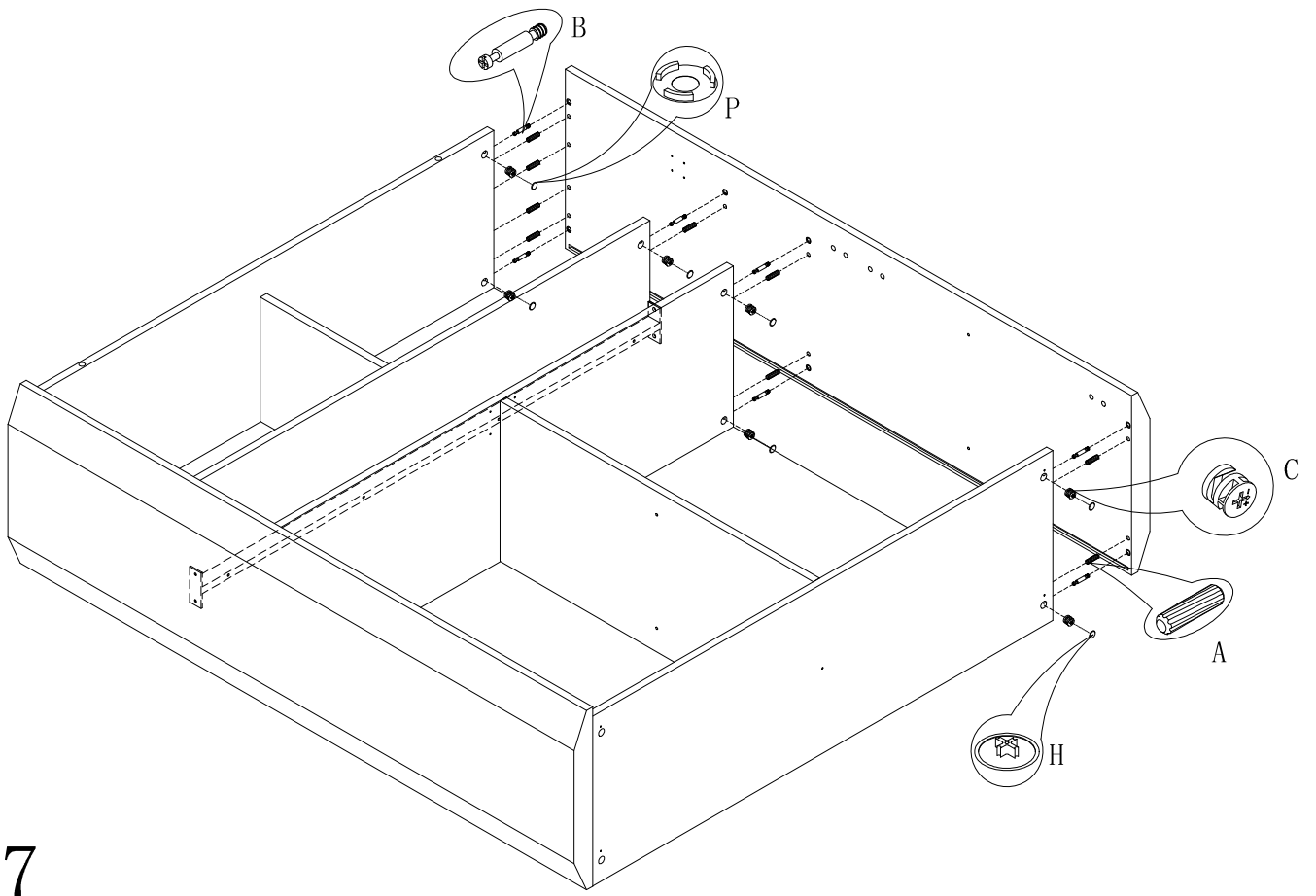




5

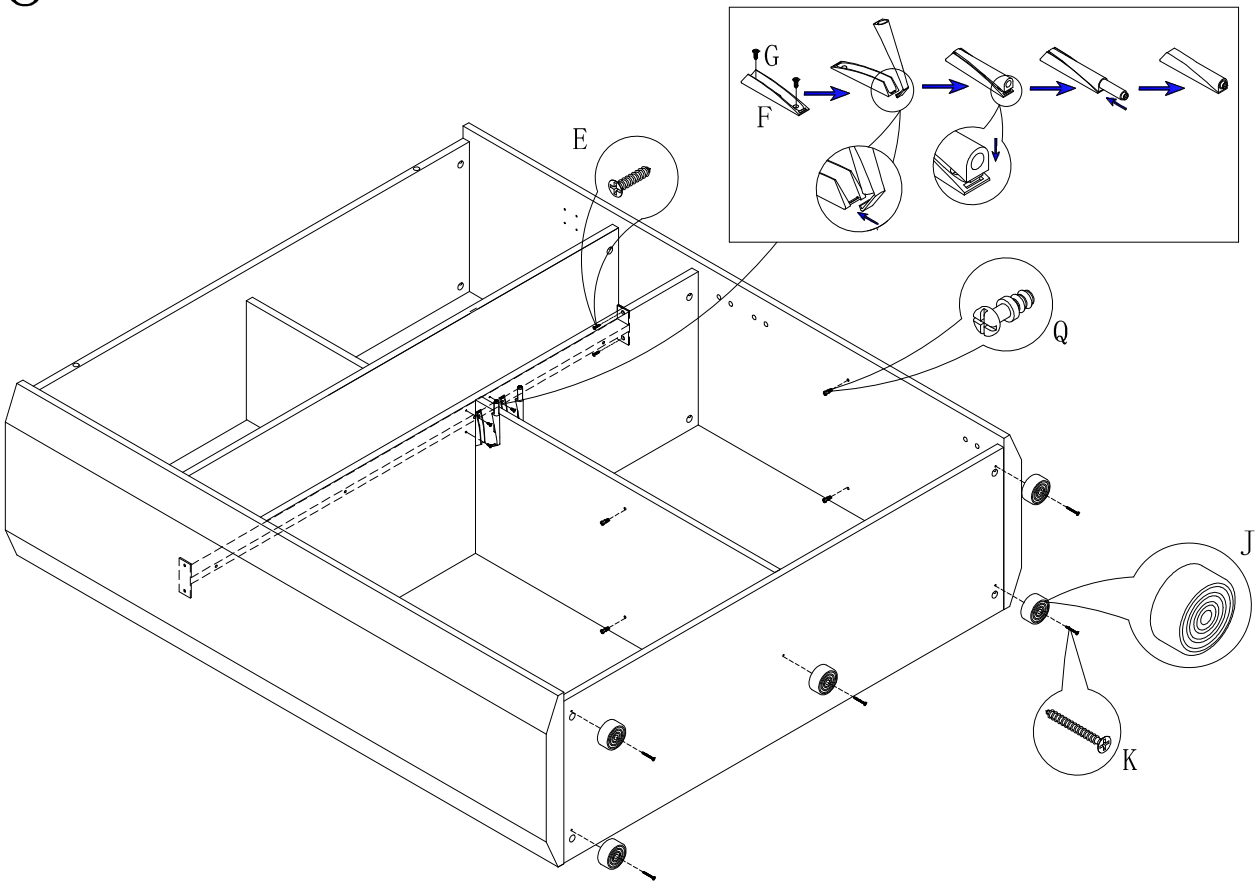
6

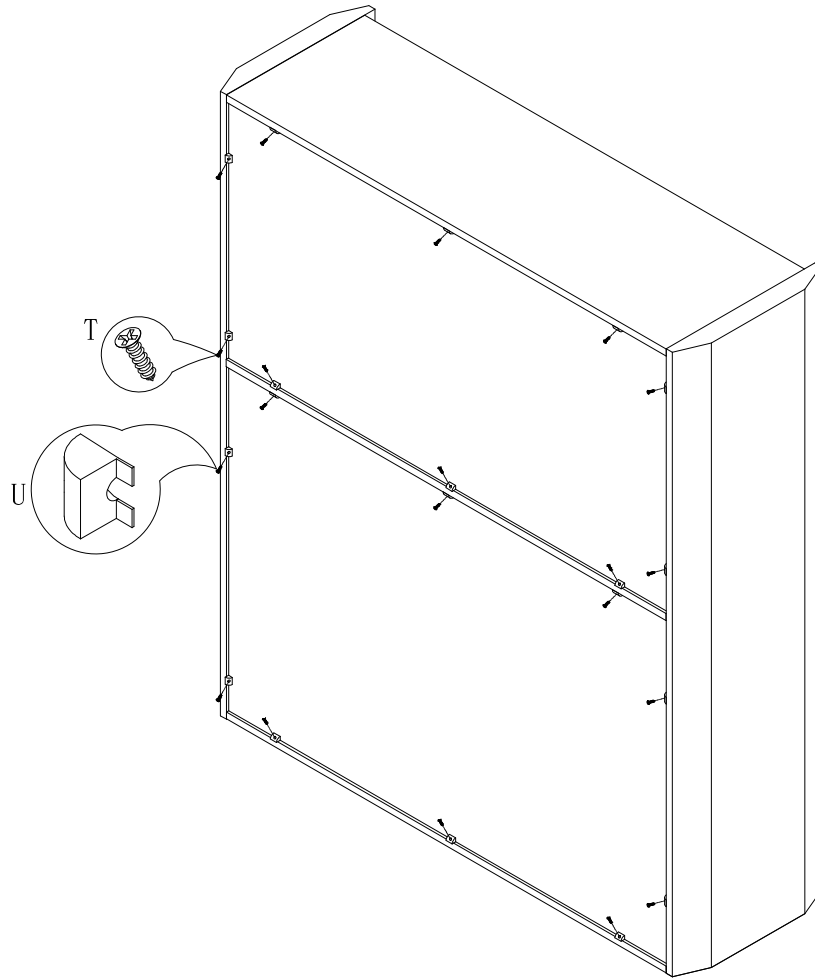




7

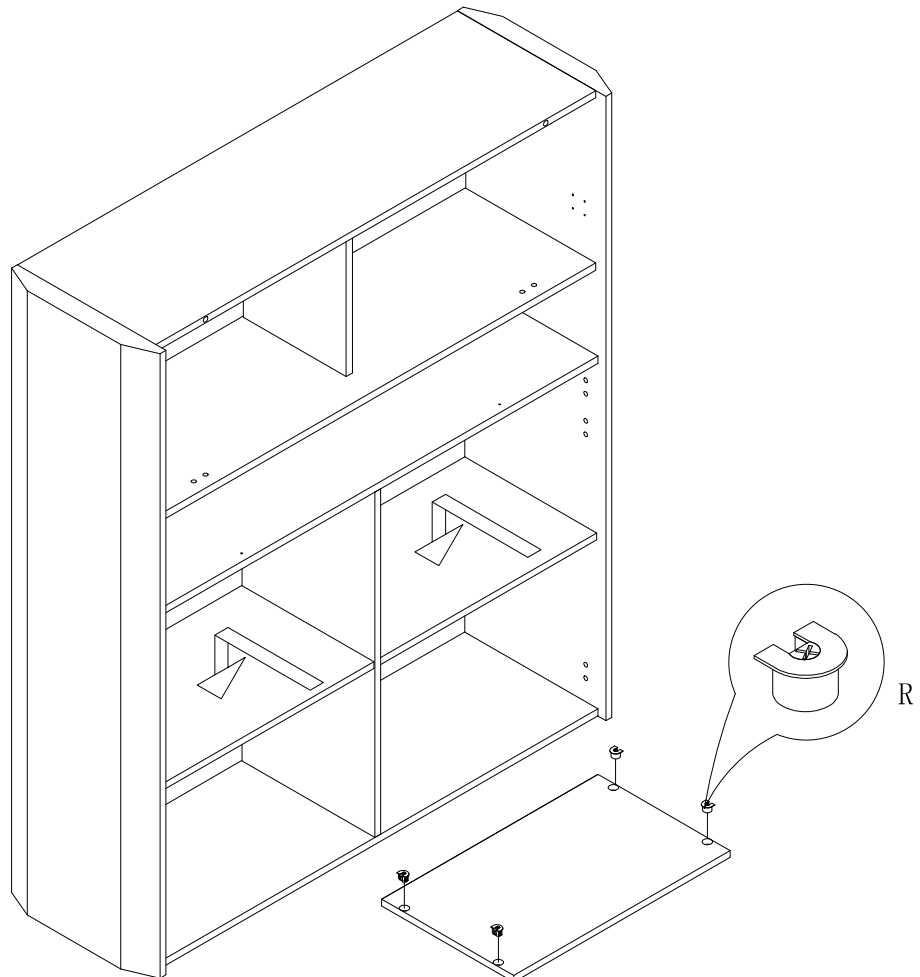
8

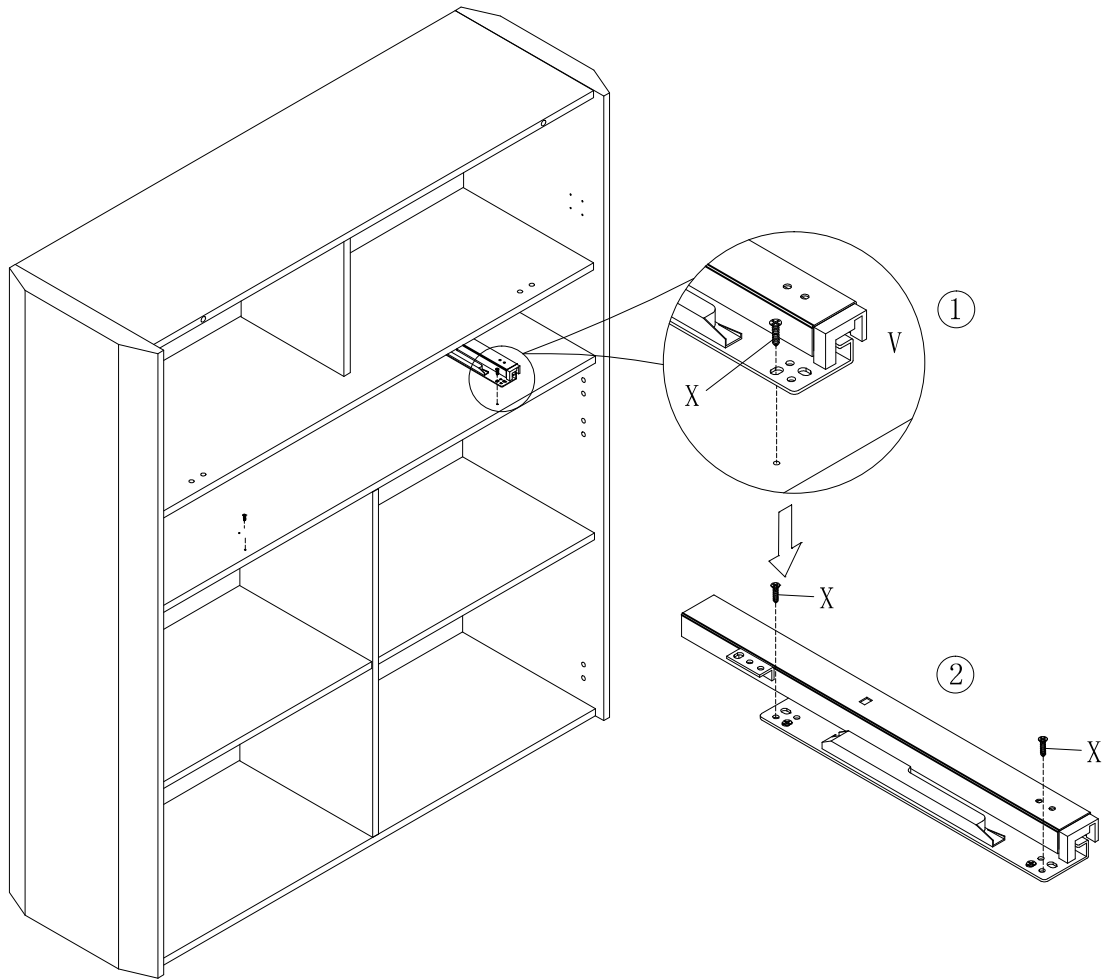




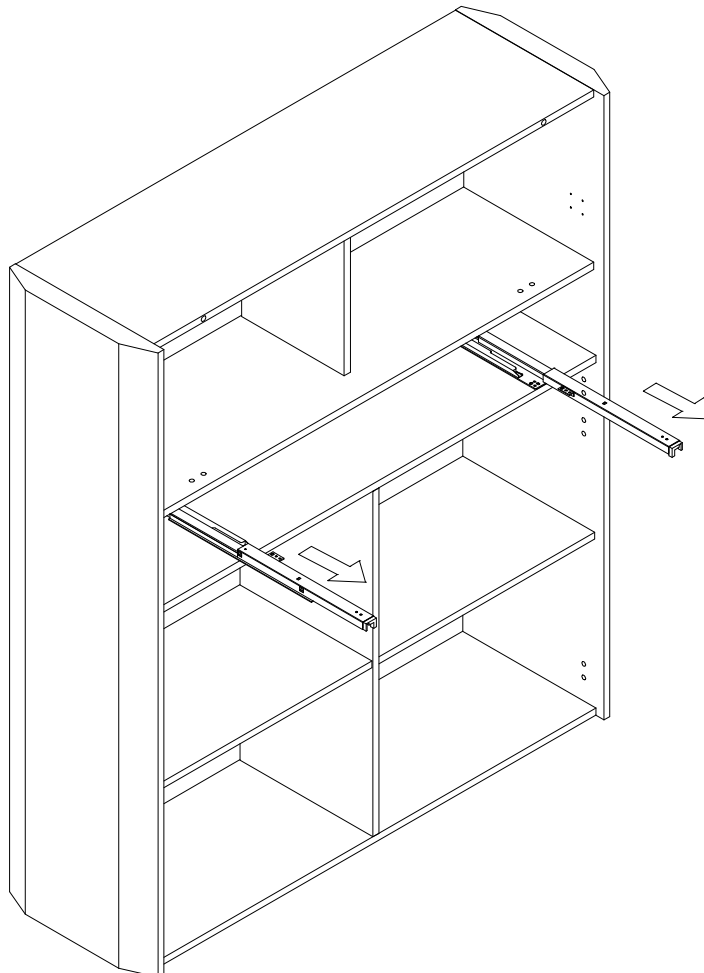
9

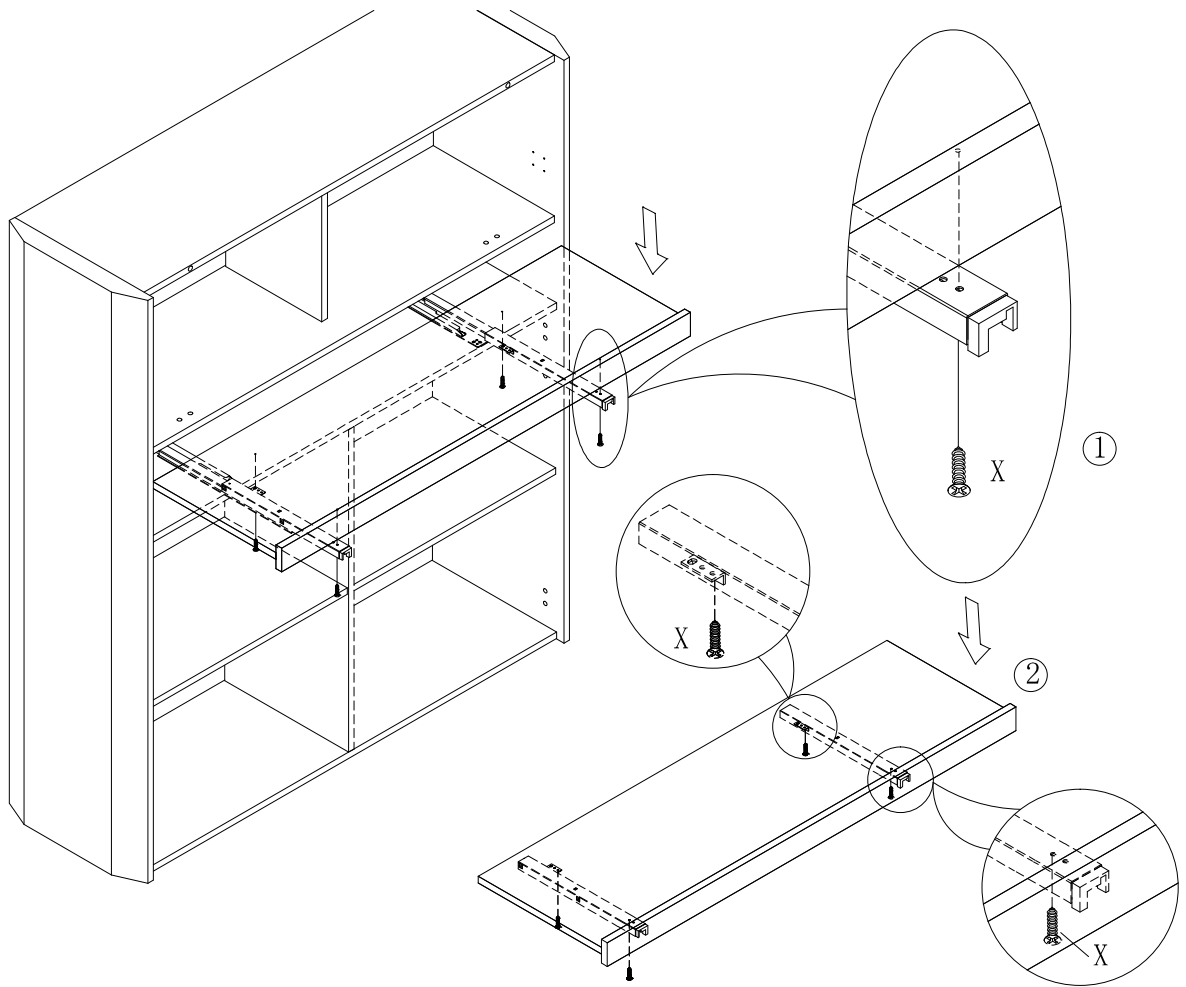
10





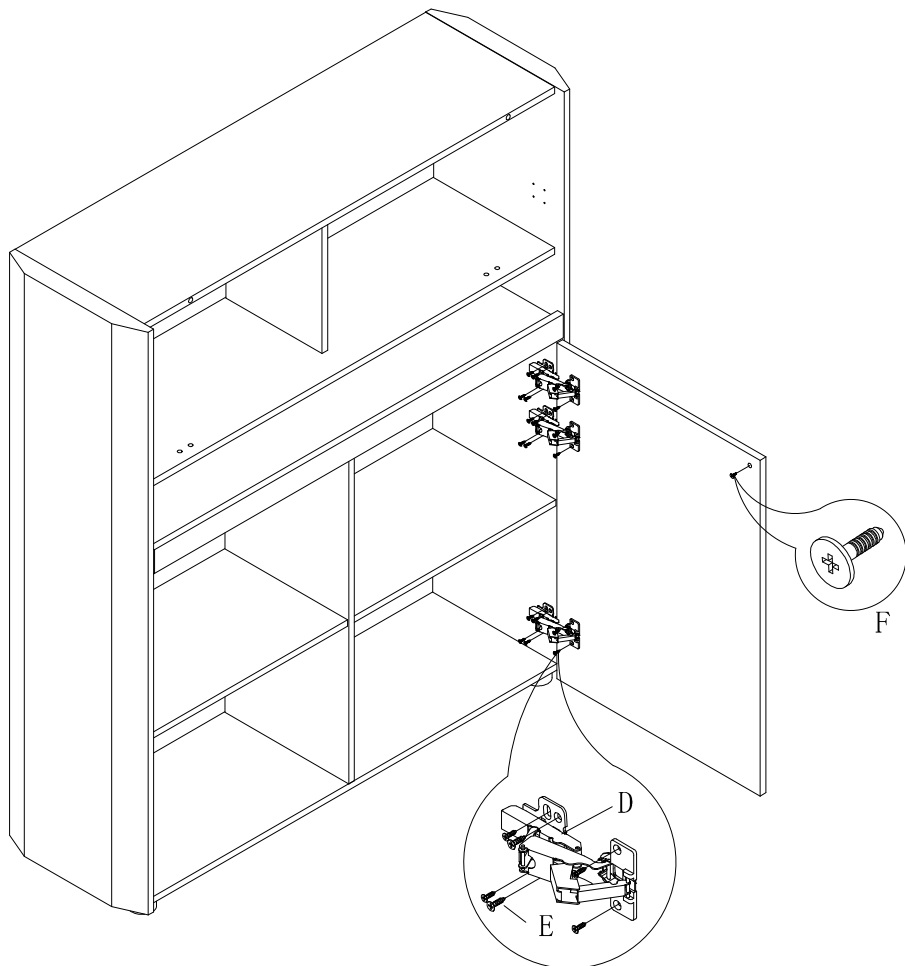
12

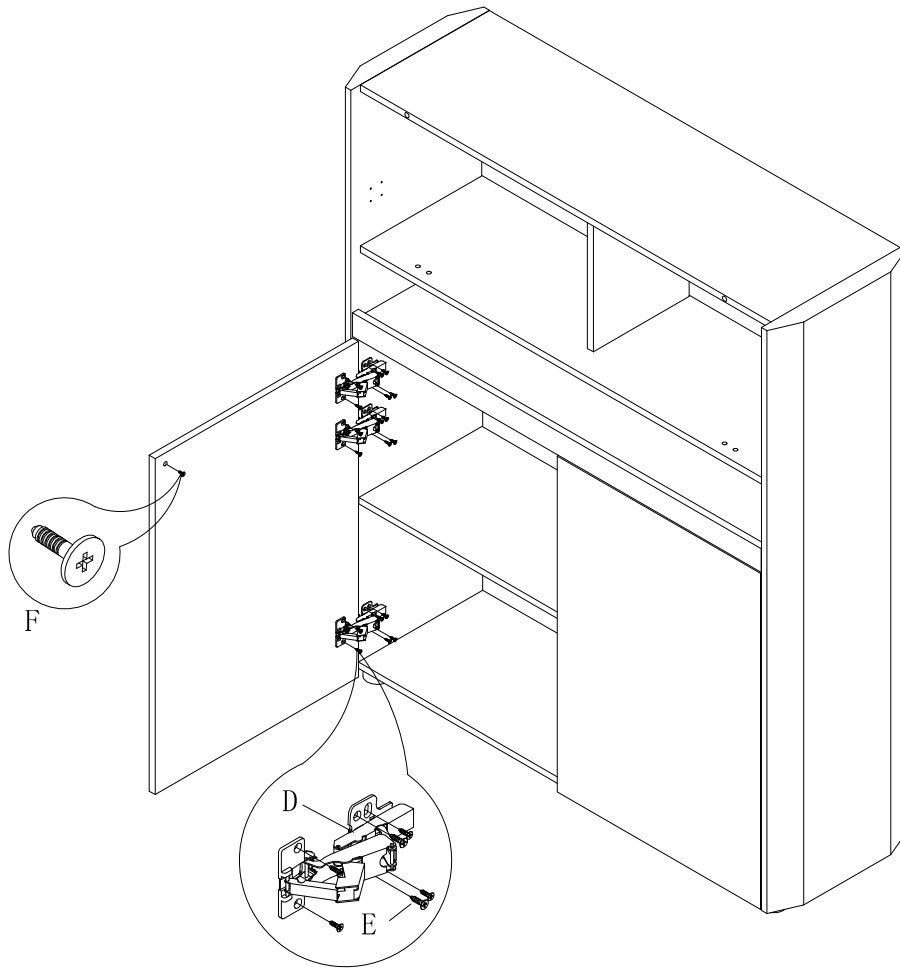




13

14





15

16

