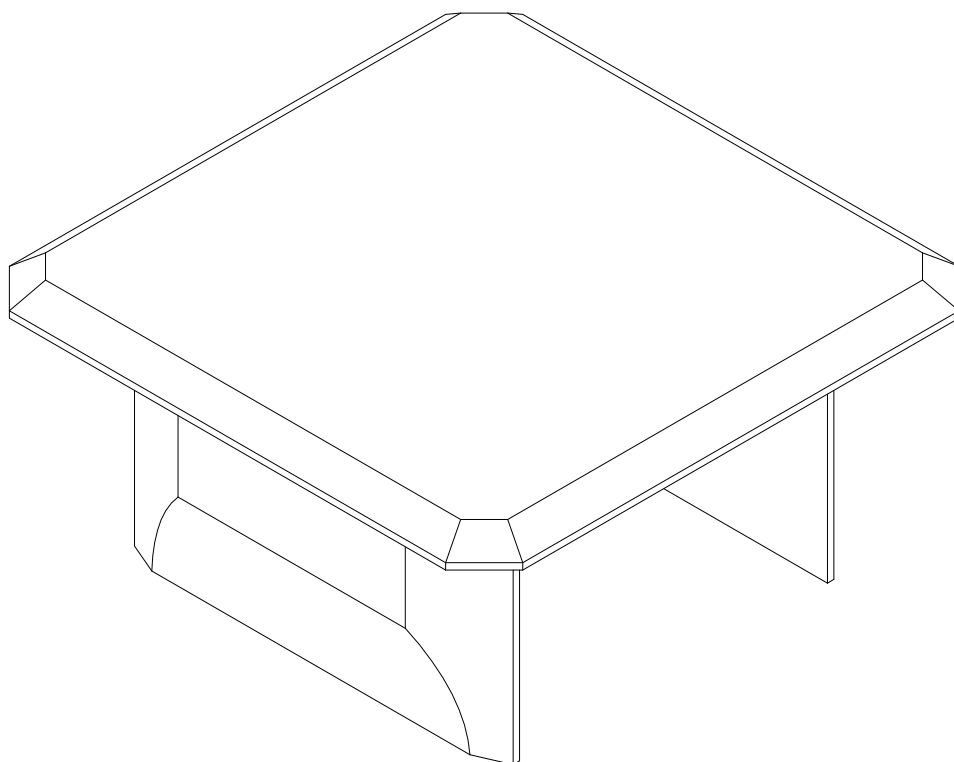


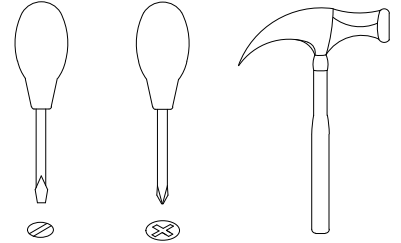
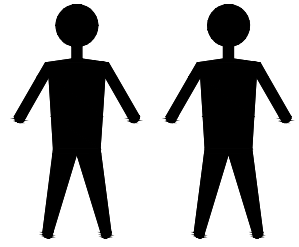
MOD
interiors

CP1907G

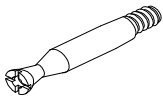


EAC

CP1907G



A x2
Spec: $\varnothing 8 \times 30$



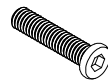
B x4
Spec: $\varnothing 7 \times L48$



C x4
Spec: $\varnothing 15 \times H15$



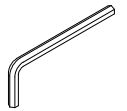
D x4
Spec:



E x28
Spec: $5/16 \times L30$



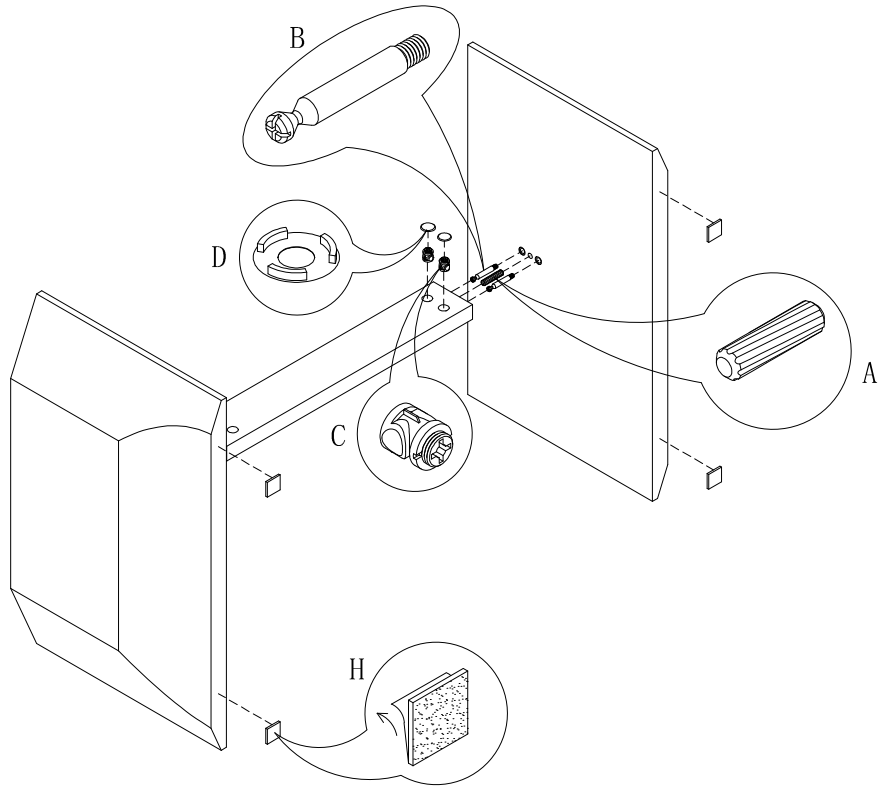
F x28
Spec: $\varnothing 8.2 \times \varnothing 14$



G x1
Spec: 5#

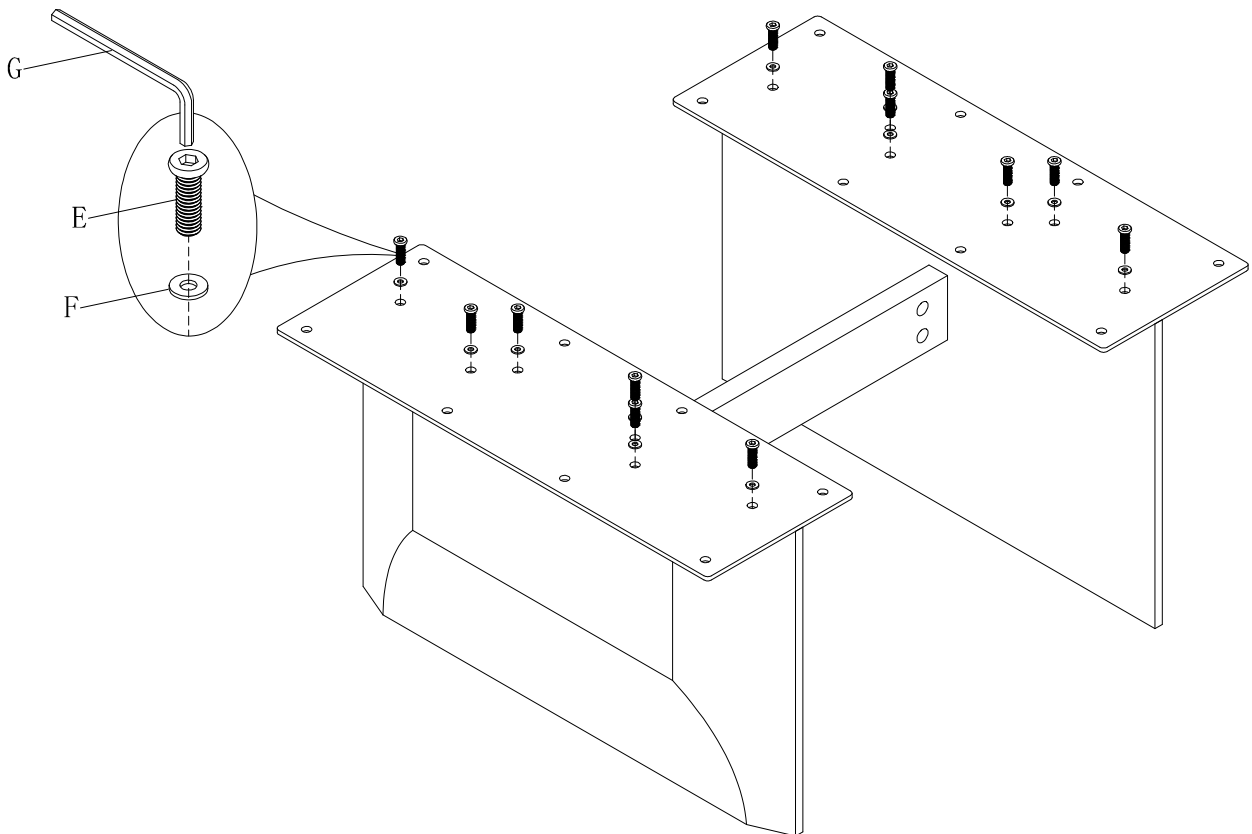


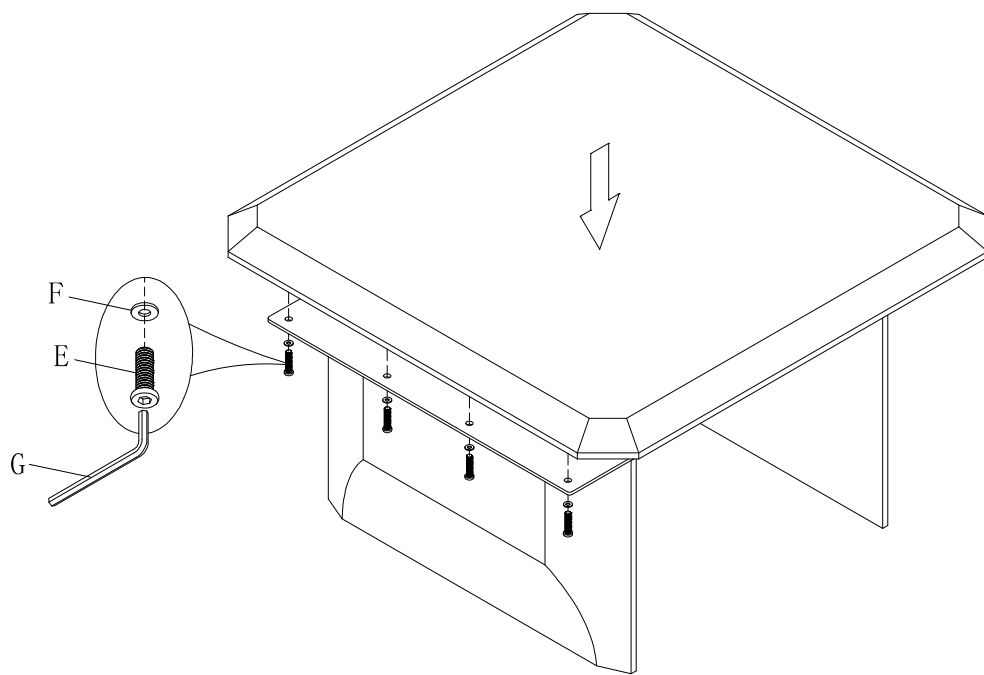
H x4
Spec: 25×25



1

2





3