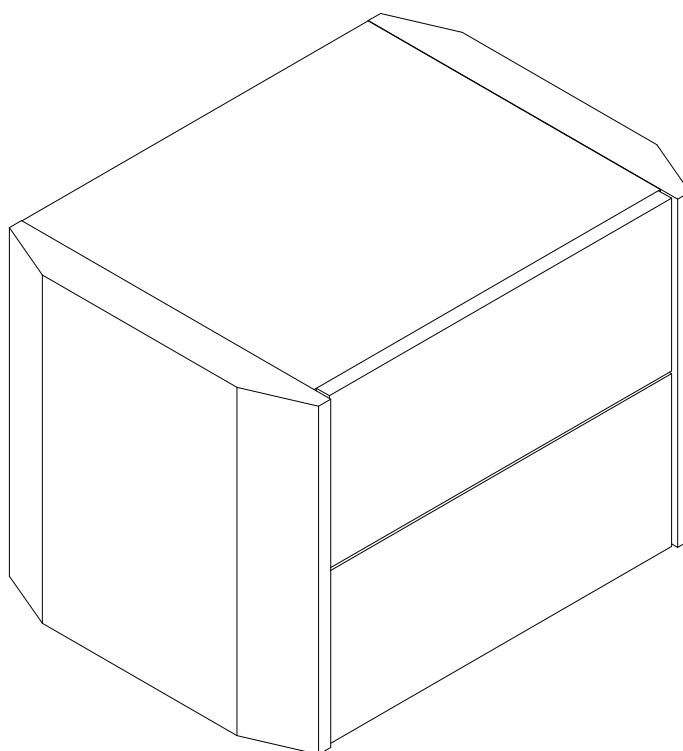
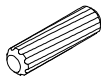
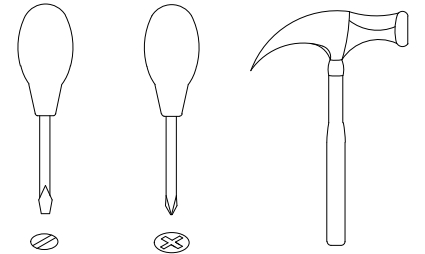
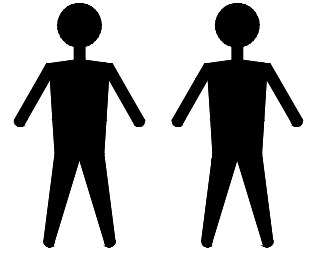


MOD
interiors

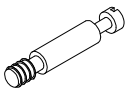
CP1907H2-55



CP1907H3



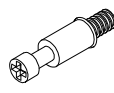
A x18
Spec: $\varnothing 8 \times 30$



B x10
Spec: $\varnothing 7 \times L30$



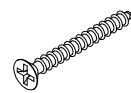
C x10
Spec: $\varnothing 15 \times H12$



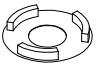
D x8
Spec: $\varnothing 6 \times L28$



E x8
Spec: $\varnothing 12 \times H9$



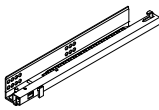
F x8
Spec: $\varnothing 3.5 \times L35$



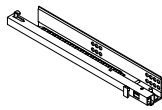
G x4
Spec:



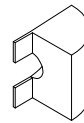
H x8
Spec: $\varnothing 6 \times L8$



I x2
Spec: L350



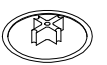
J x6
Spec: $\varnothing 3.5 \times L16$



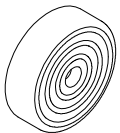
K x6
Spec: H13



L x1
Spec: 10g



M x14
Spec:



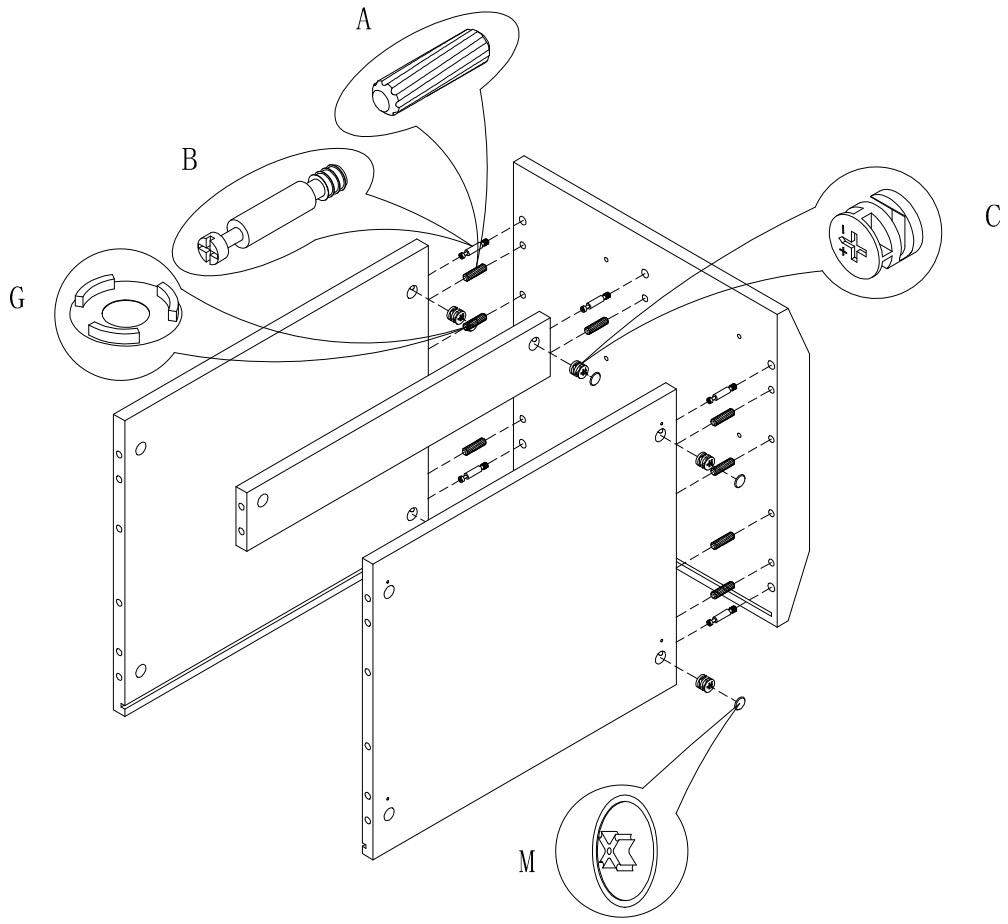
N x4
Spec: $\varnothing 60 \times 25$



O x4
Spec: $\varnothing 3.8 \times L32$

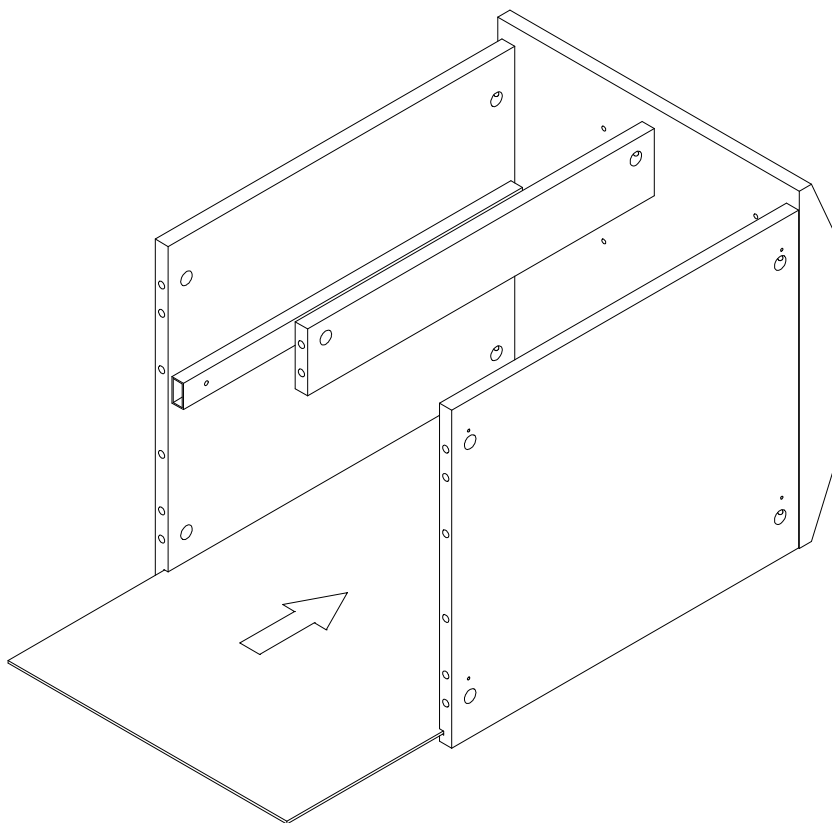


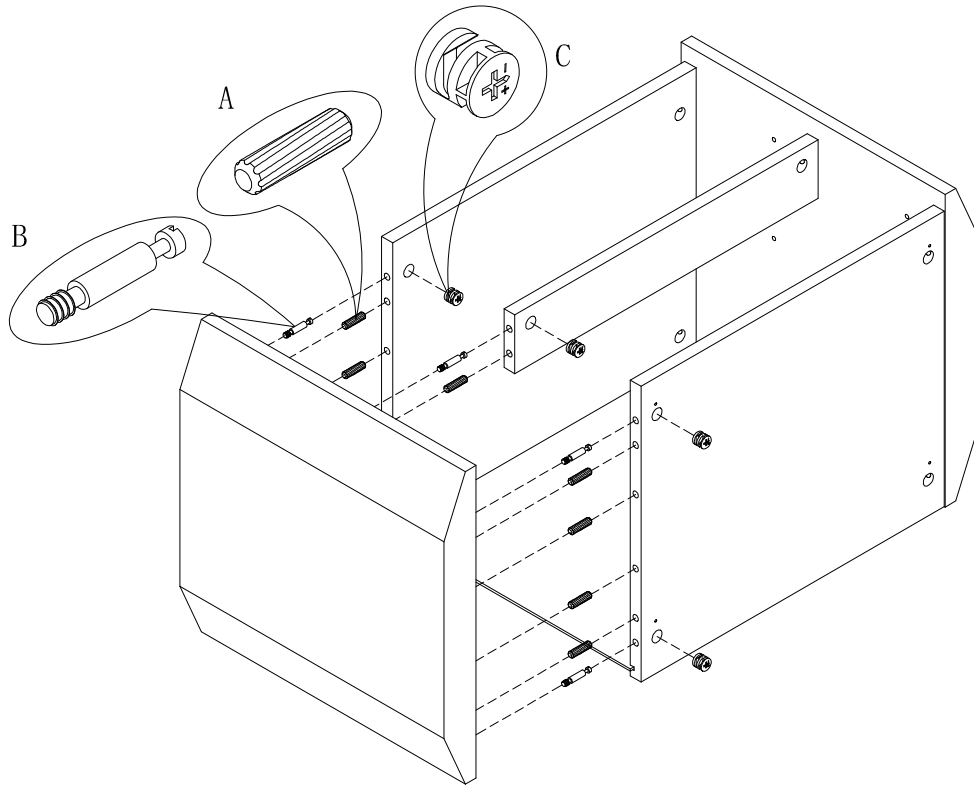
AAA x8
Spec: $\varnothing 3.8 \times L12$



1

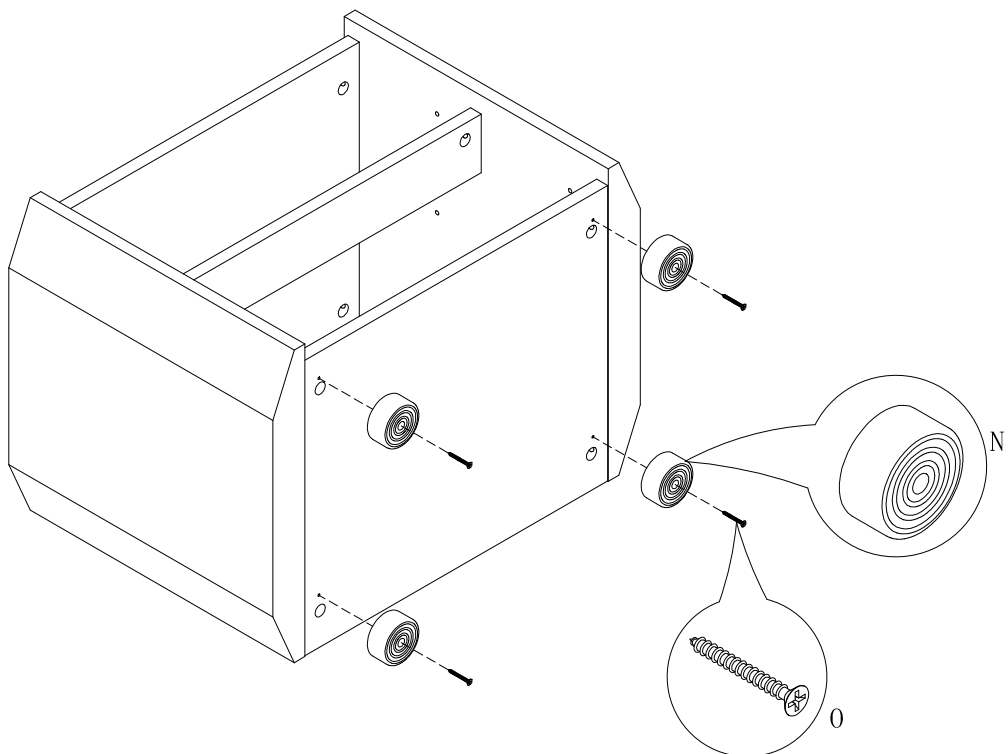
2

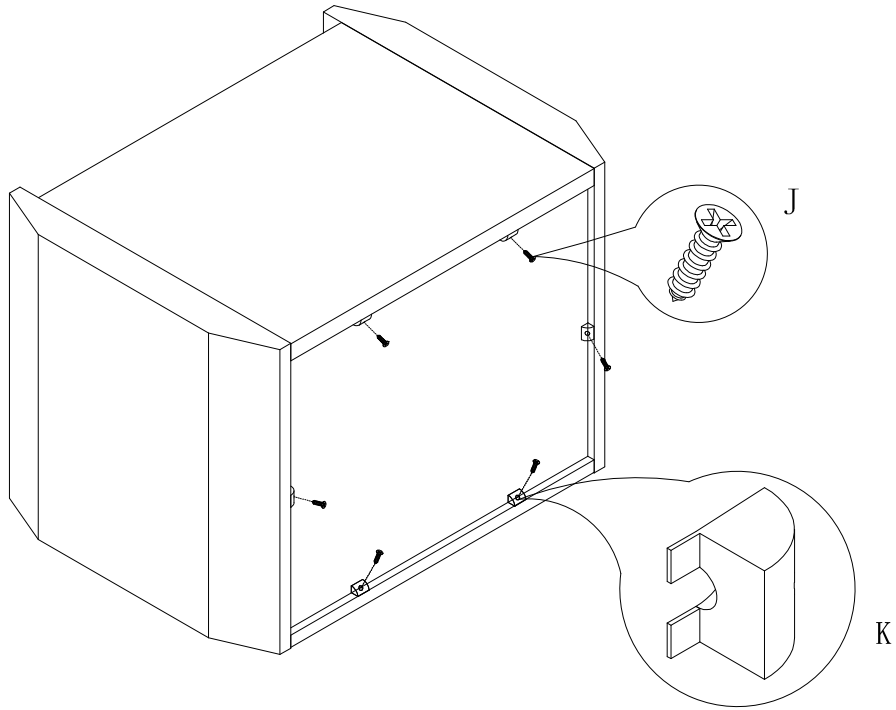




3

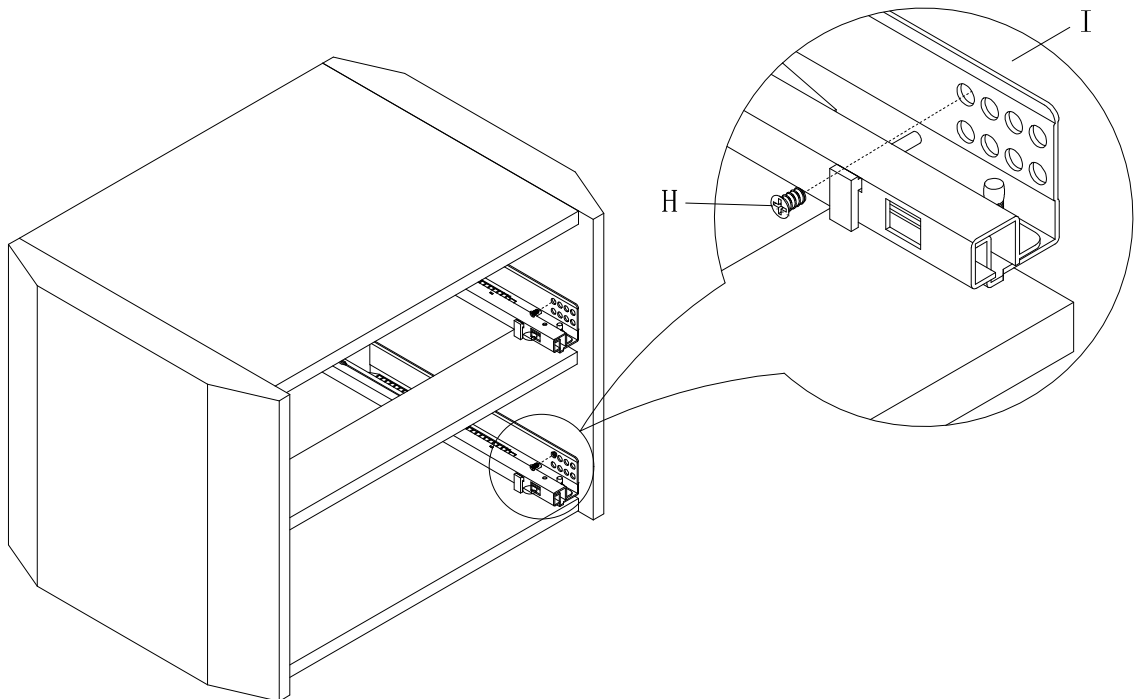
4

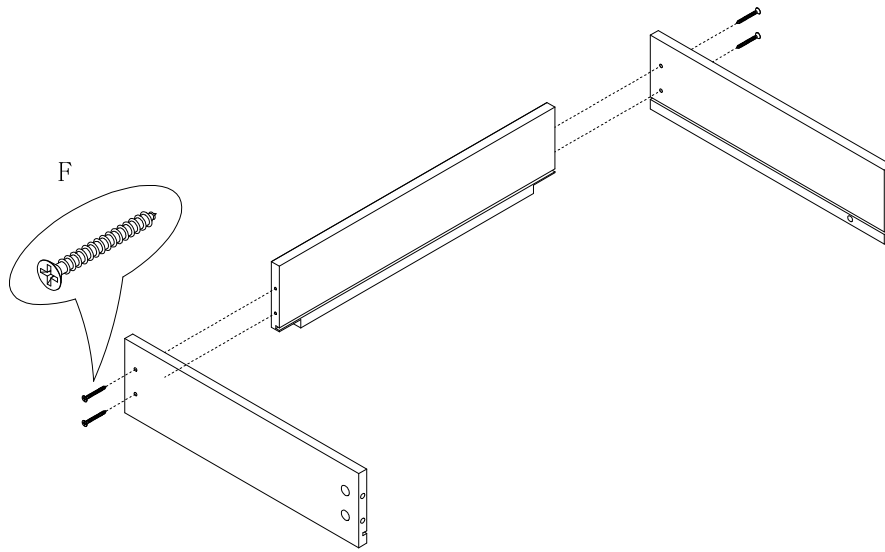




5

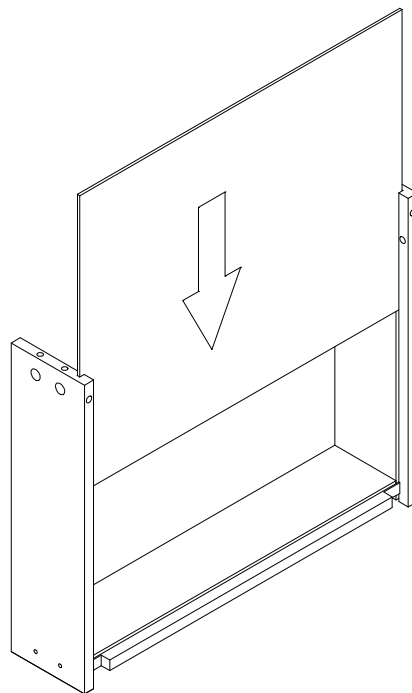
6

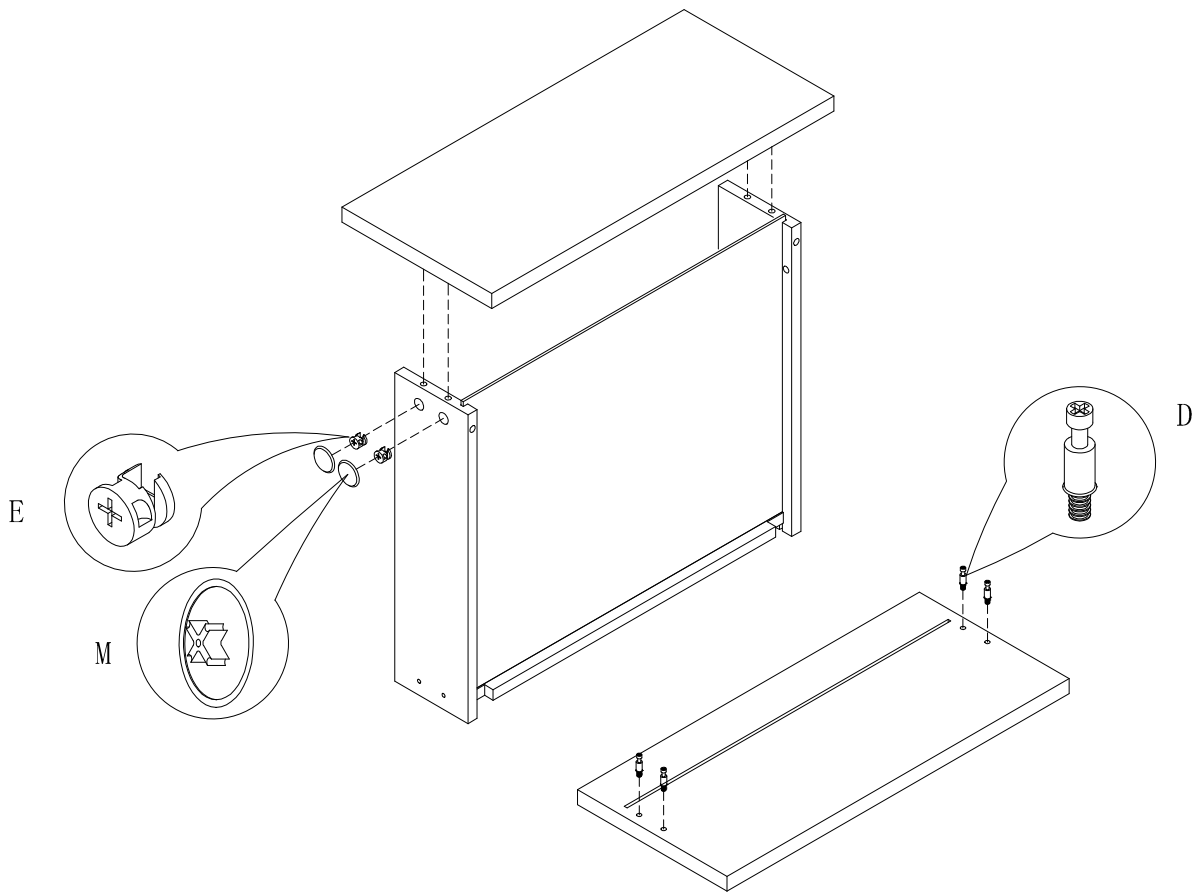




7

8





9

10

