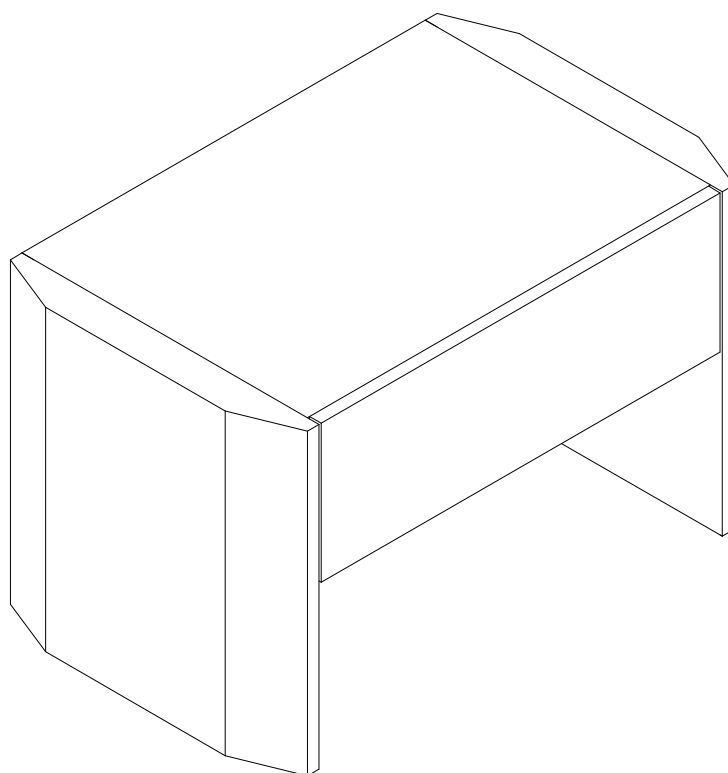
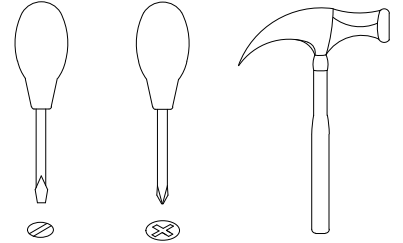
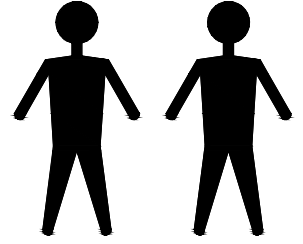


MOD
interiors

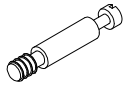
CP1907H3



CP1907H3



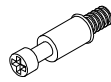
A x16
Spec: $\varnothing 8 \times 30$



B x8
Spec: $\varnothing 7 \times L30$



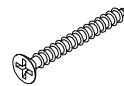
C x8
Spec: $\varnothing 15 \times H12$



D x4
Spec: $\varnothing 6 \times L28$



E x4
Spec: $\varnothing 12 \times H9$



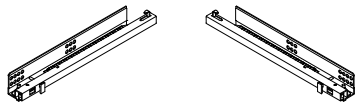
F x4
Spec: $\varnothing 3.5 \times L35$



G x4
Spec:



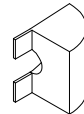
H x4
Spec: $\varnothing 6 \times L8$



I x1
Spec: L350



J x4
Spec: $\varnothing 3.5 \times L16$



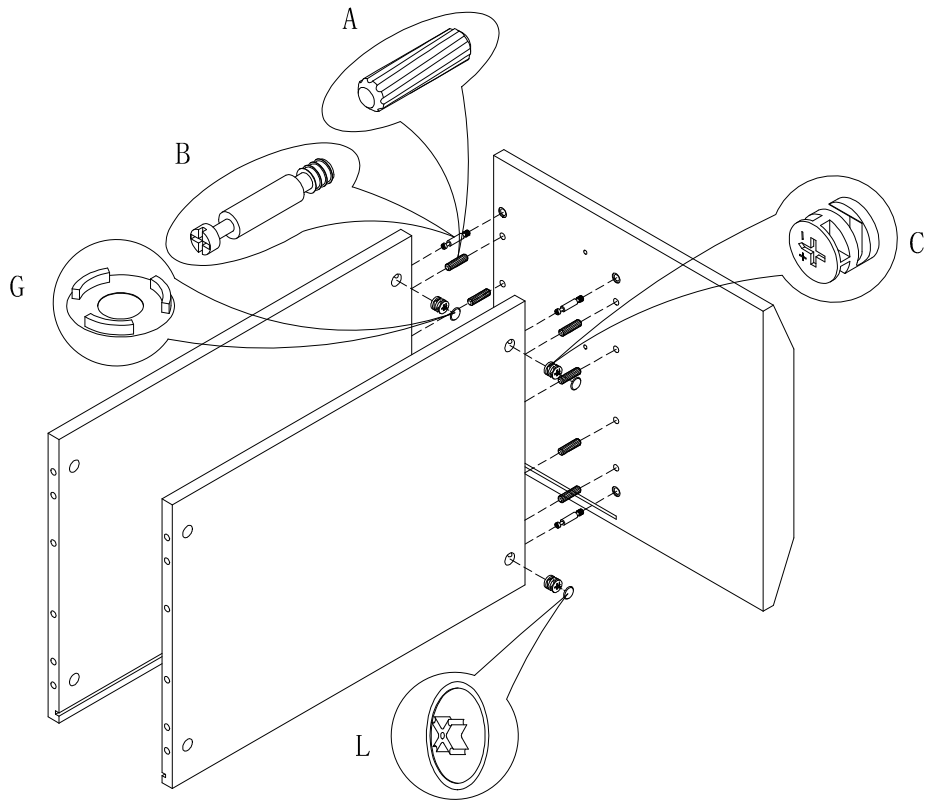
K x4
Spec: H13



L x8
Spec:

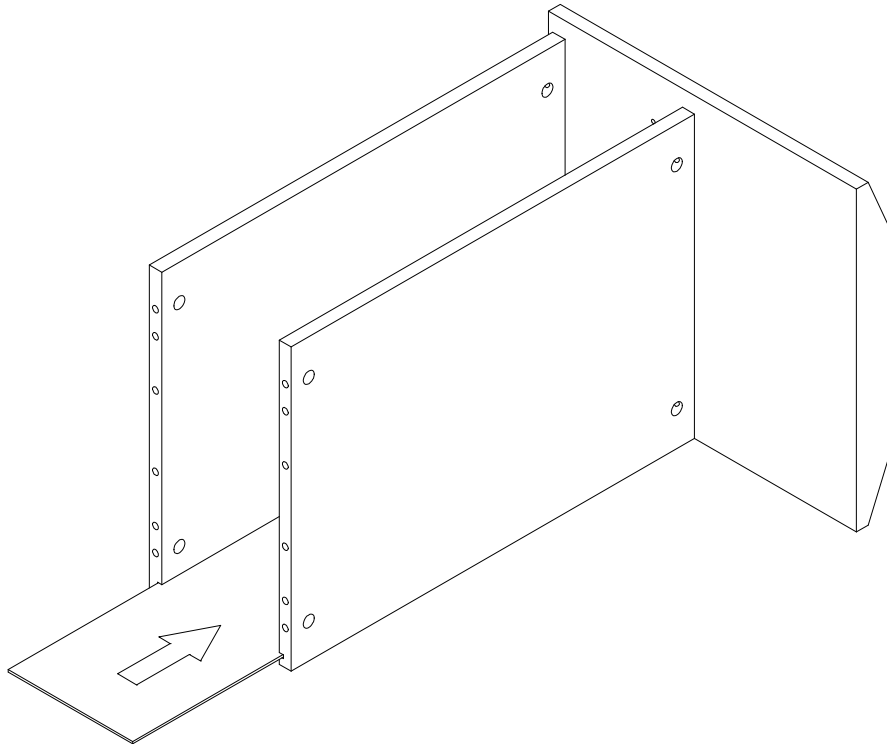


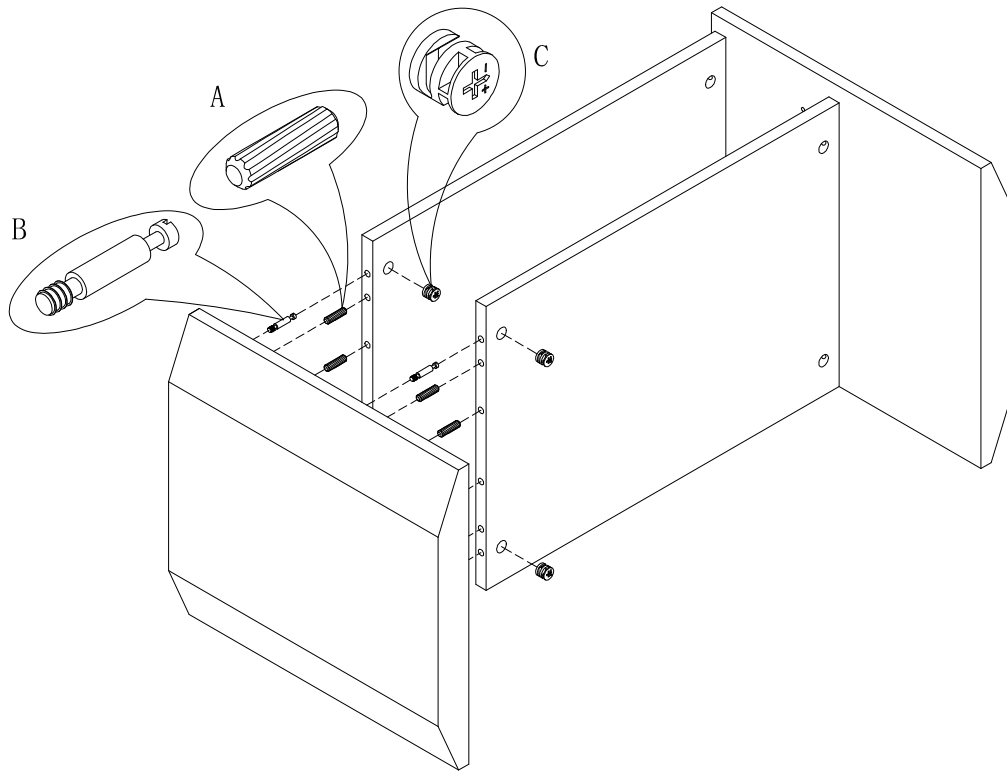
AAA x4
Spec: $\varnothing 3.8 \times L12$



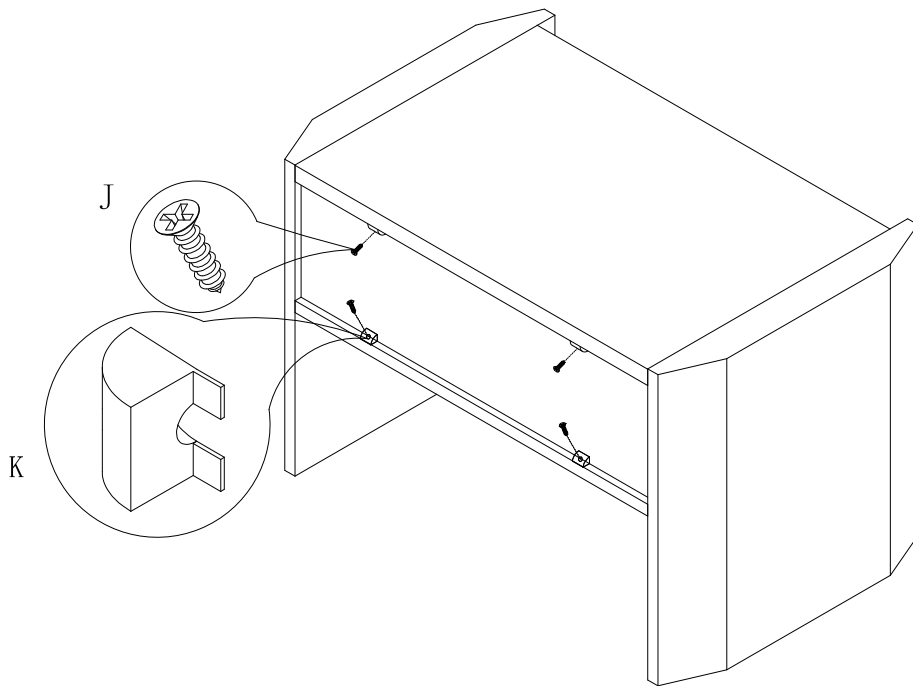
1

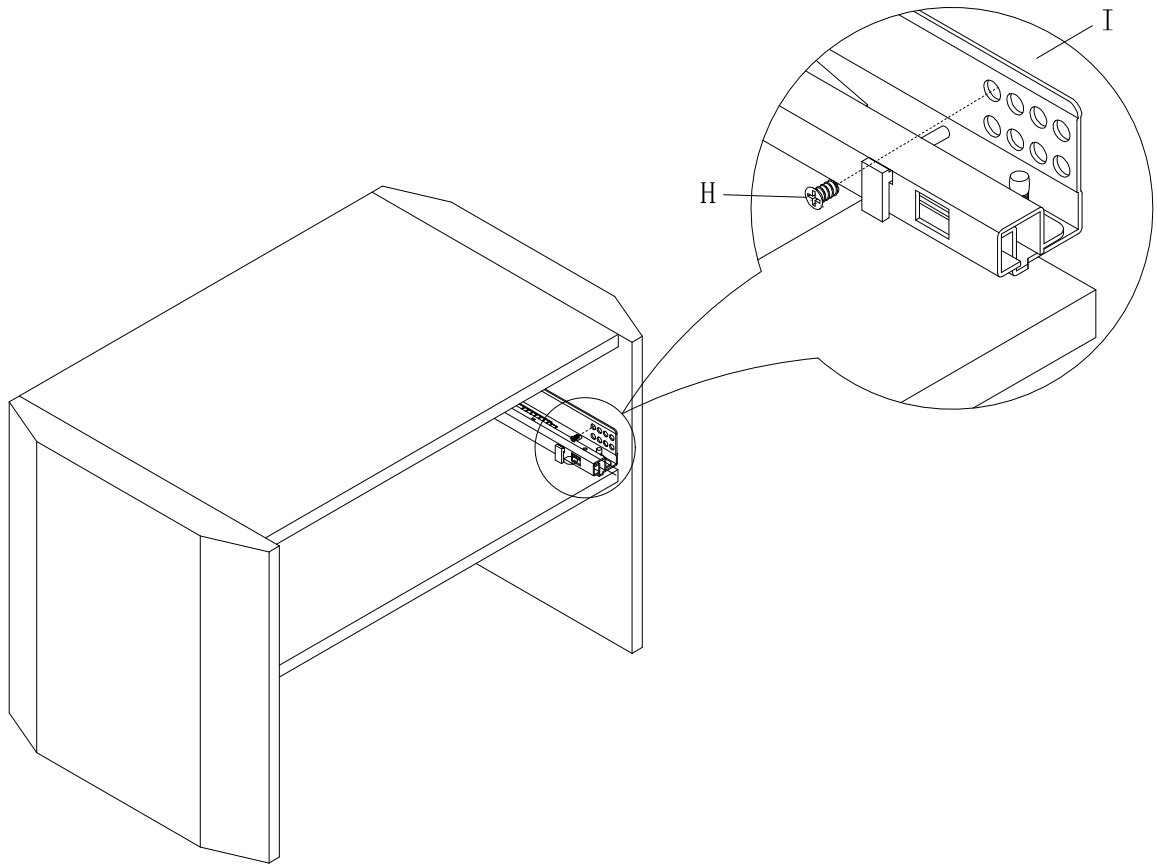
2





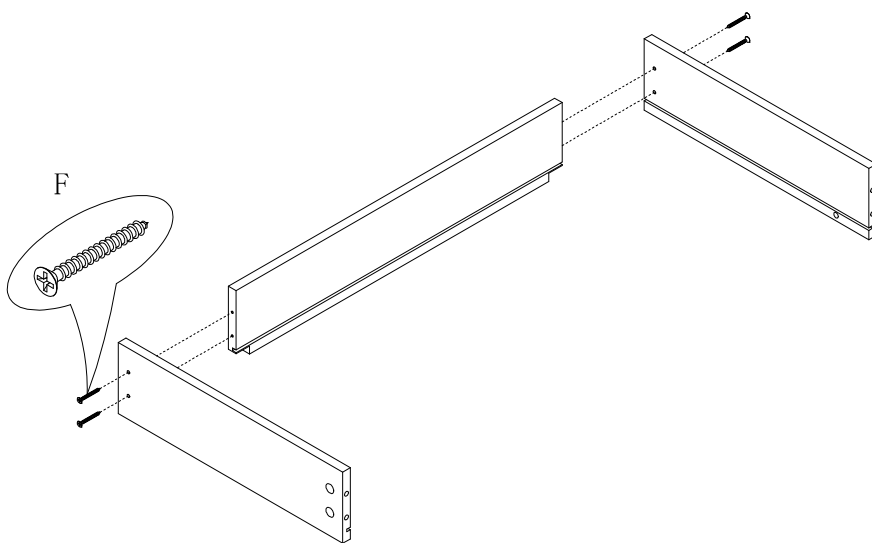
4

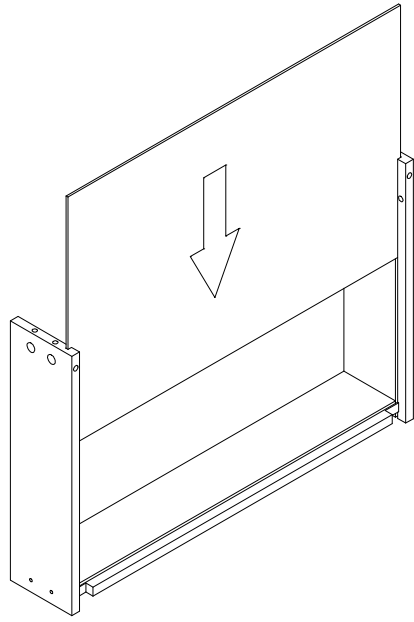




5

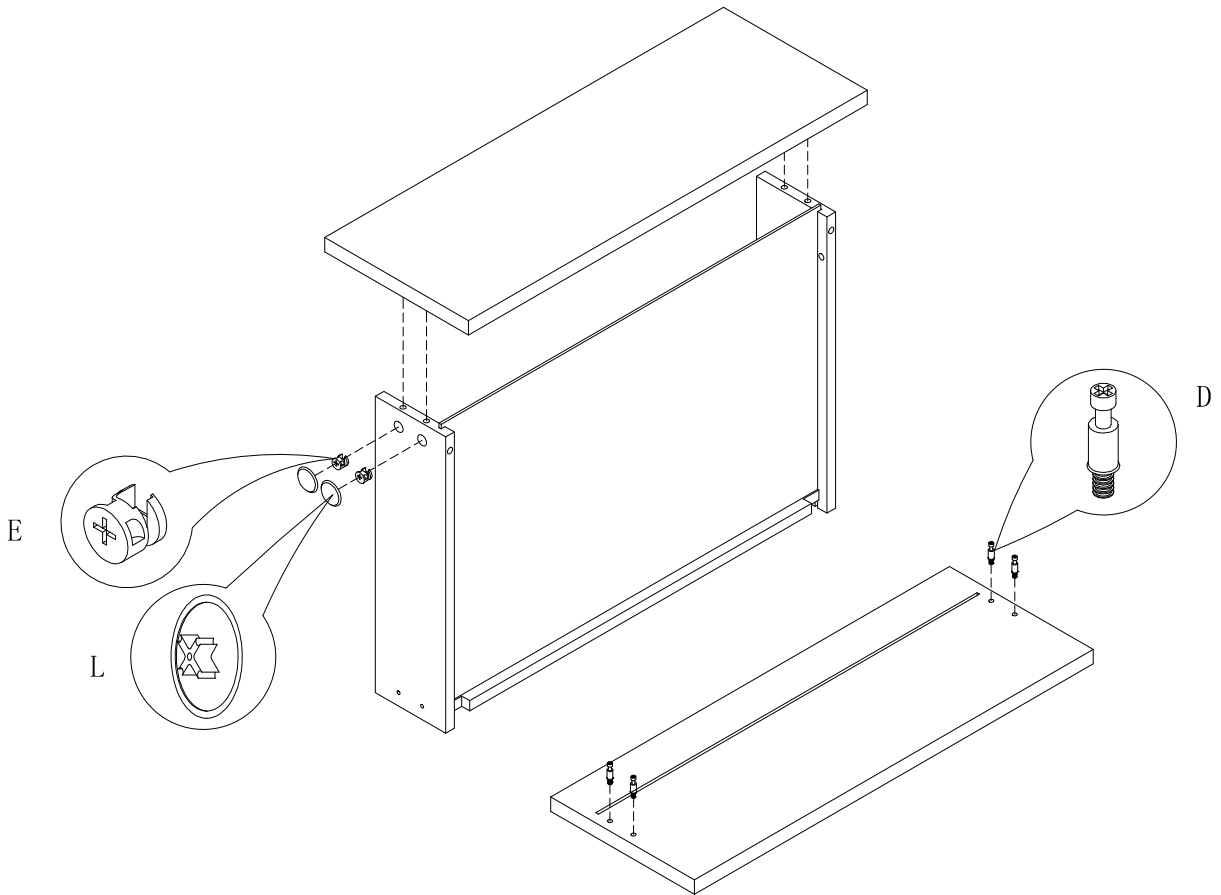
6

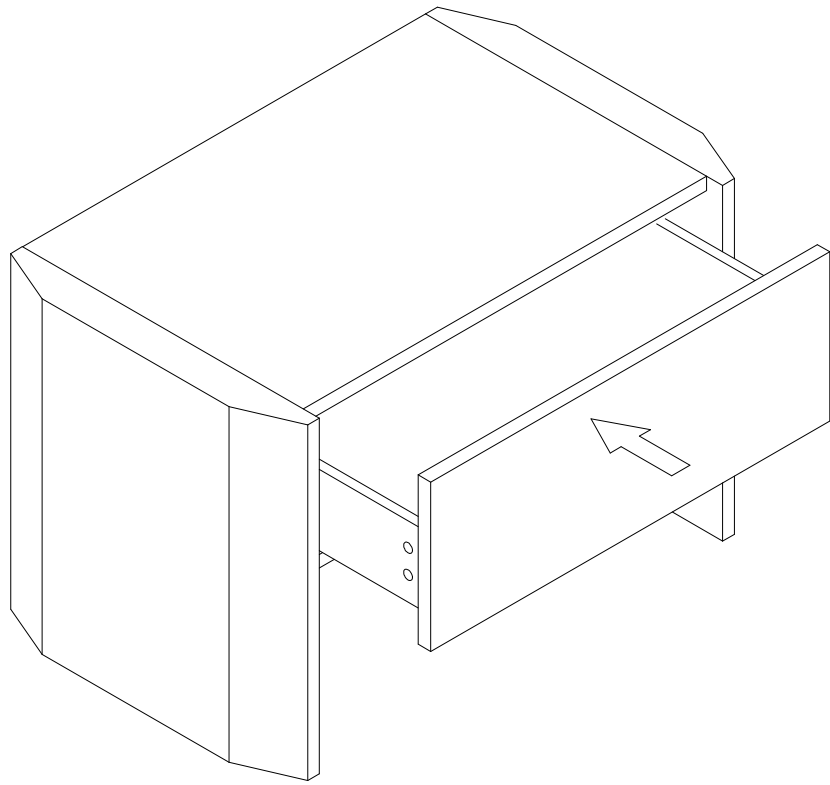




7

8





9
