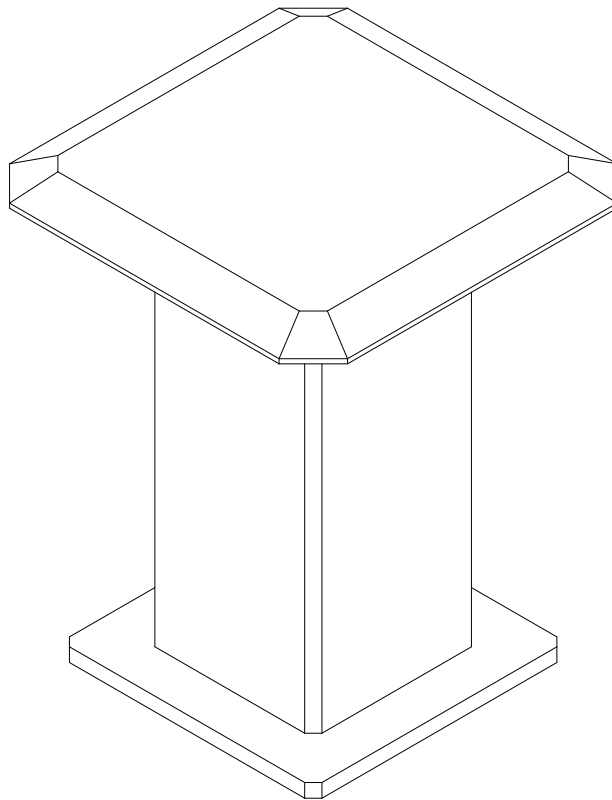


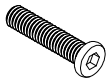
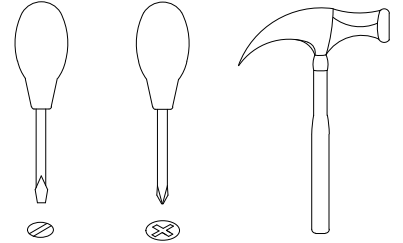
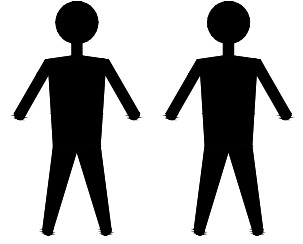


CP1907I



EAC

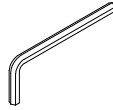
CP1907I



A x8
Spec: 5/16*L35



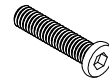
B x12
Spec: $\phi 8.2 * \phi 14$



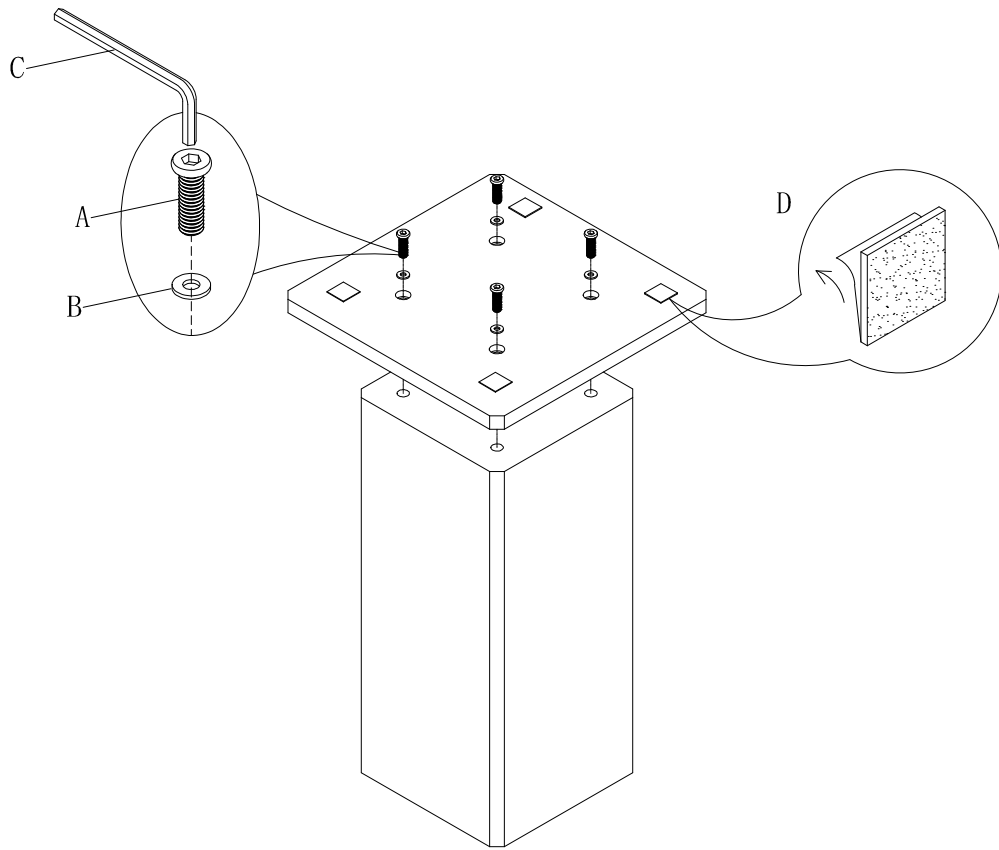
C x1
Spec: 5#



D x4
Spec: 30*30

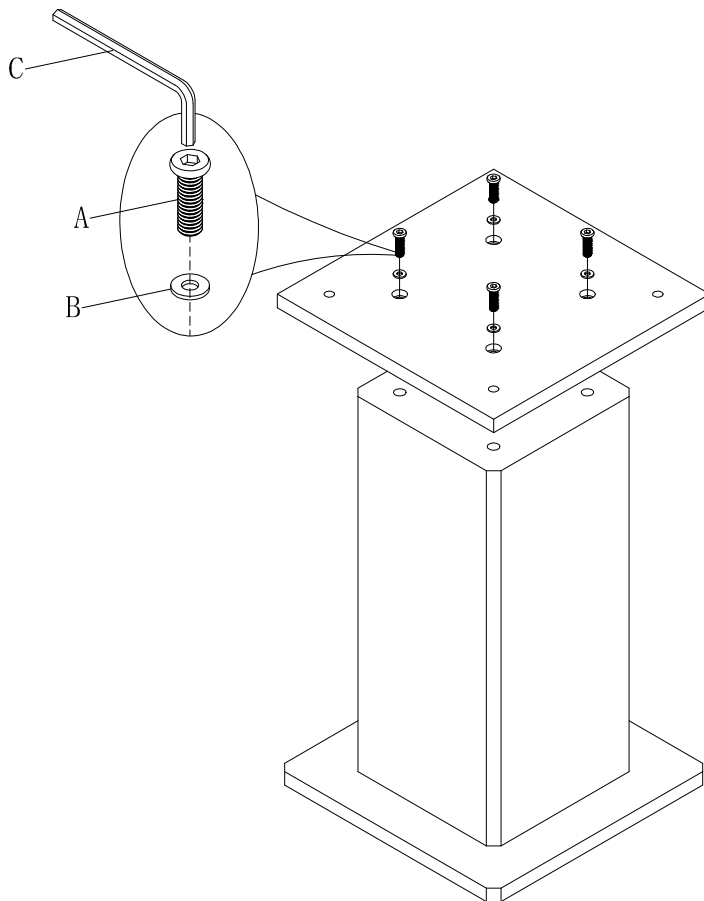


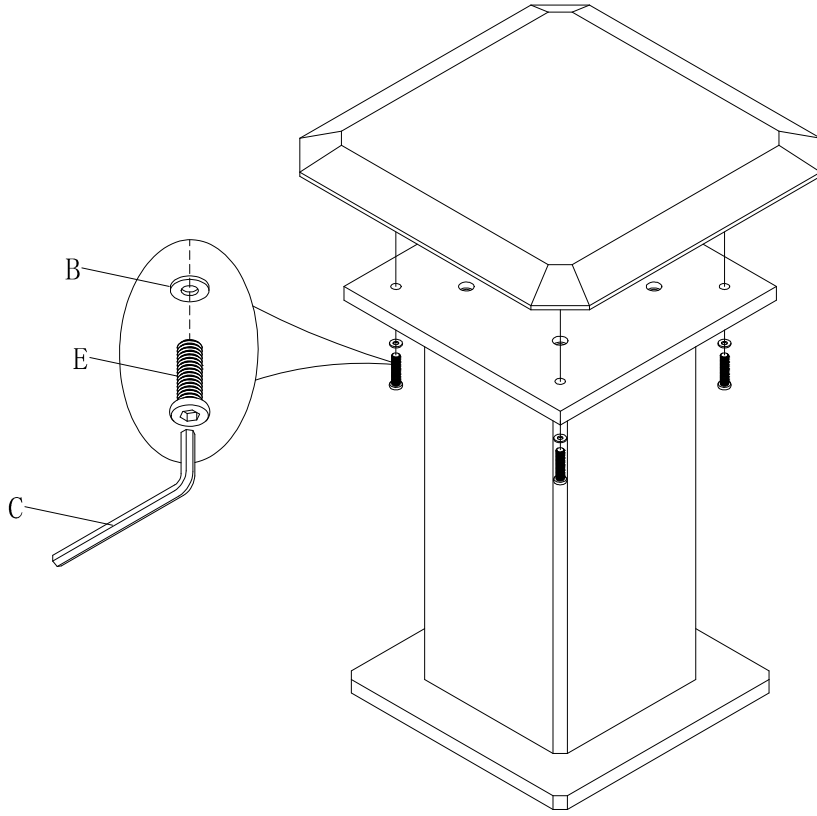
E x4
Spec: 5/16*L25



1

2





3