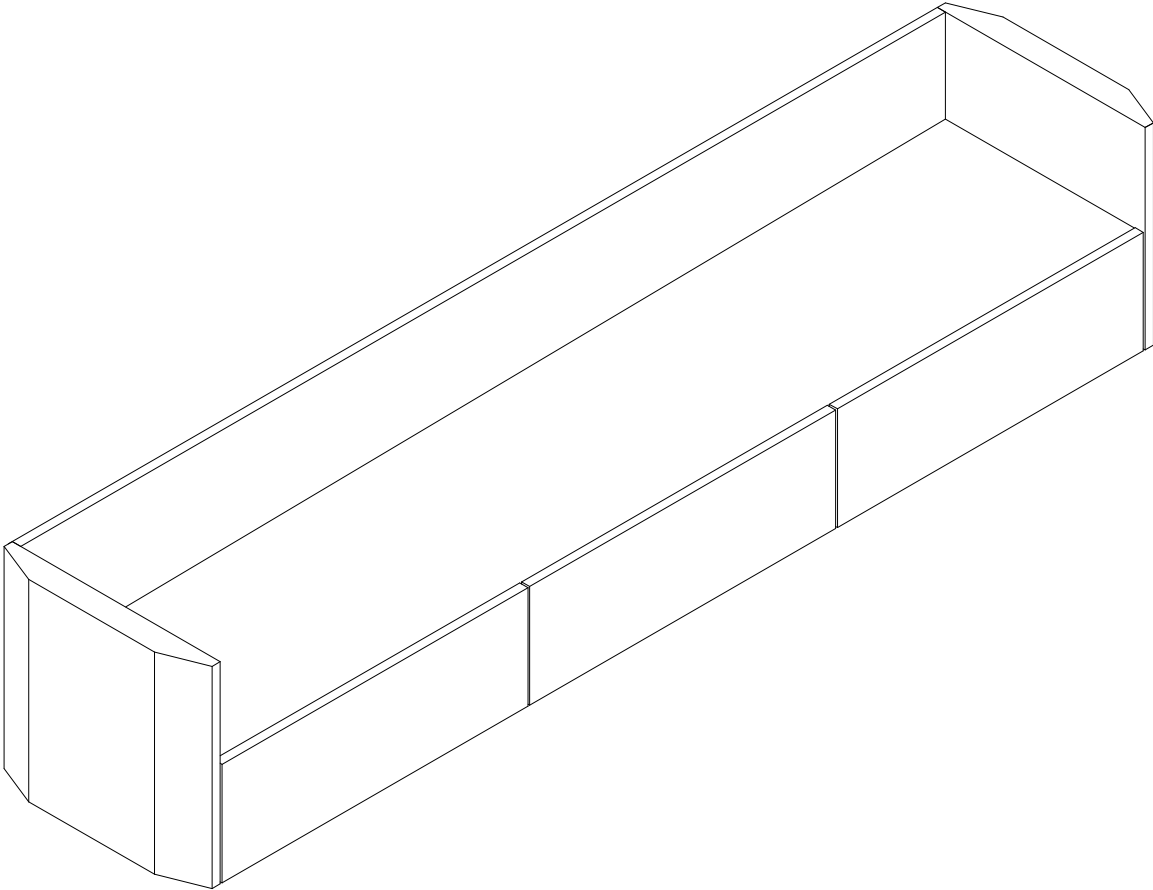
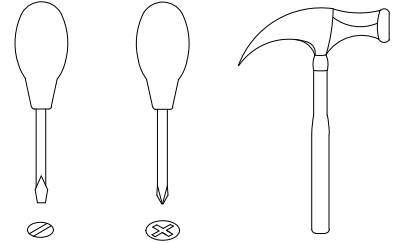
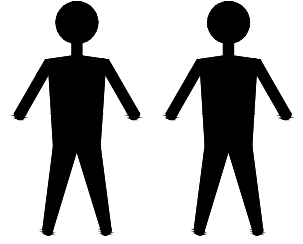




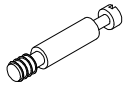
# CP1907TV1



# # CP1907TV1



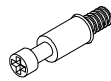
A x28  
Spec:  $\varnothing 8 \times 30$



B x32  
Spec:  $\varnothing 7 \times L30$



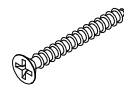
C x32  
Spec:  $\varnothing 15 \times H12$



D x18  
Spec:  $\varnothing 6 \times L28$



E x18  
Spec:  $\varnothing 12 \times H9$



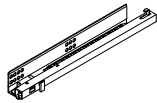
F x12  
Spec:  $\varnothing 3.5 \times L35$



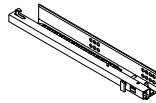
G x24  
Spec:  $\varnothing 6 \times 30$



H x12  
Spec:  $\varnothing 6 \times L8$



I x3  
Spec: L400



J x6  
Spec:  $\varnothing 60 \times 25$



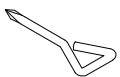
K x6  
Spec:  $\varnothing 3.8 \times L32$



L x10  
Spec:



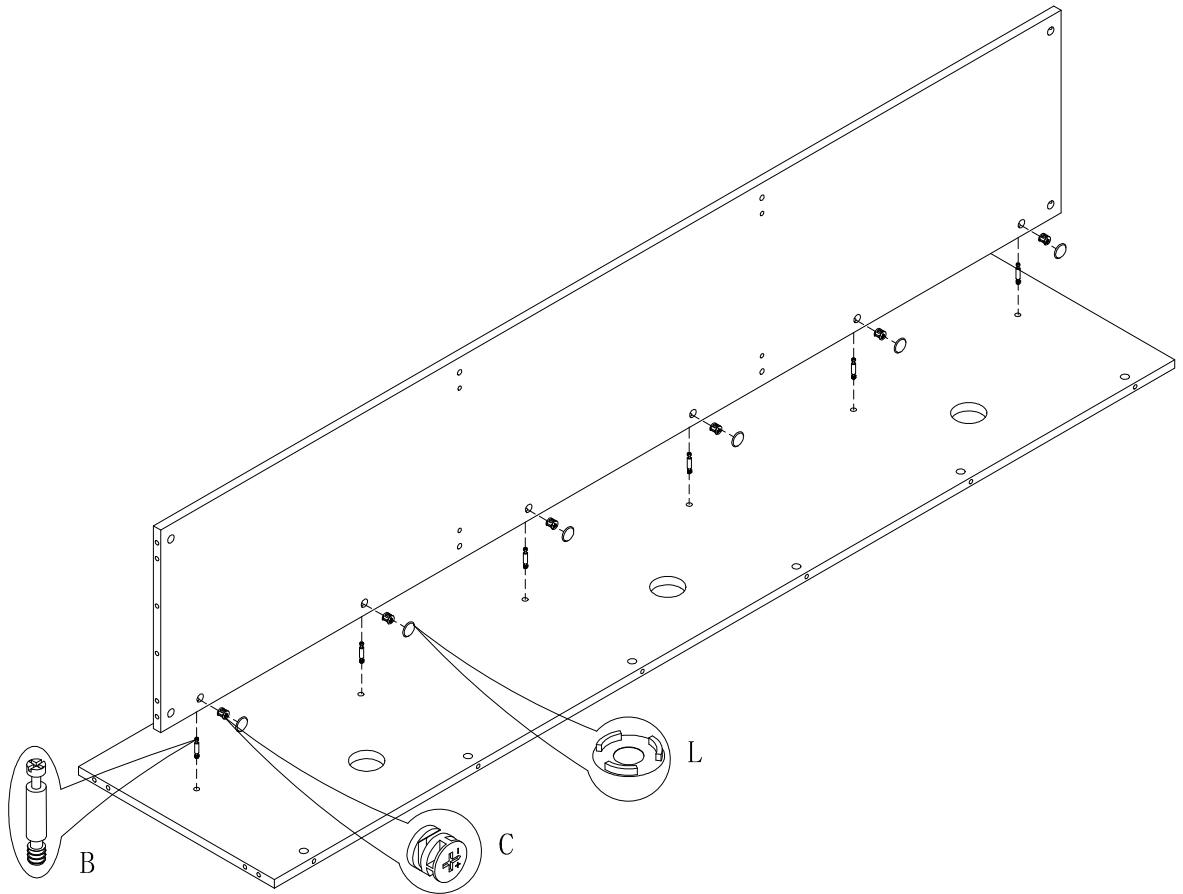
M x40  
Spec:



N x1  
Spec:

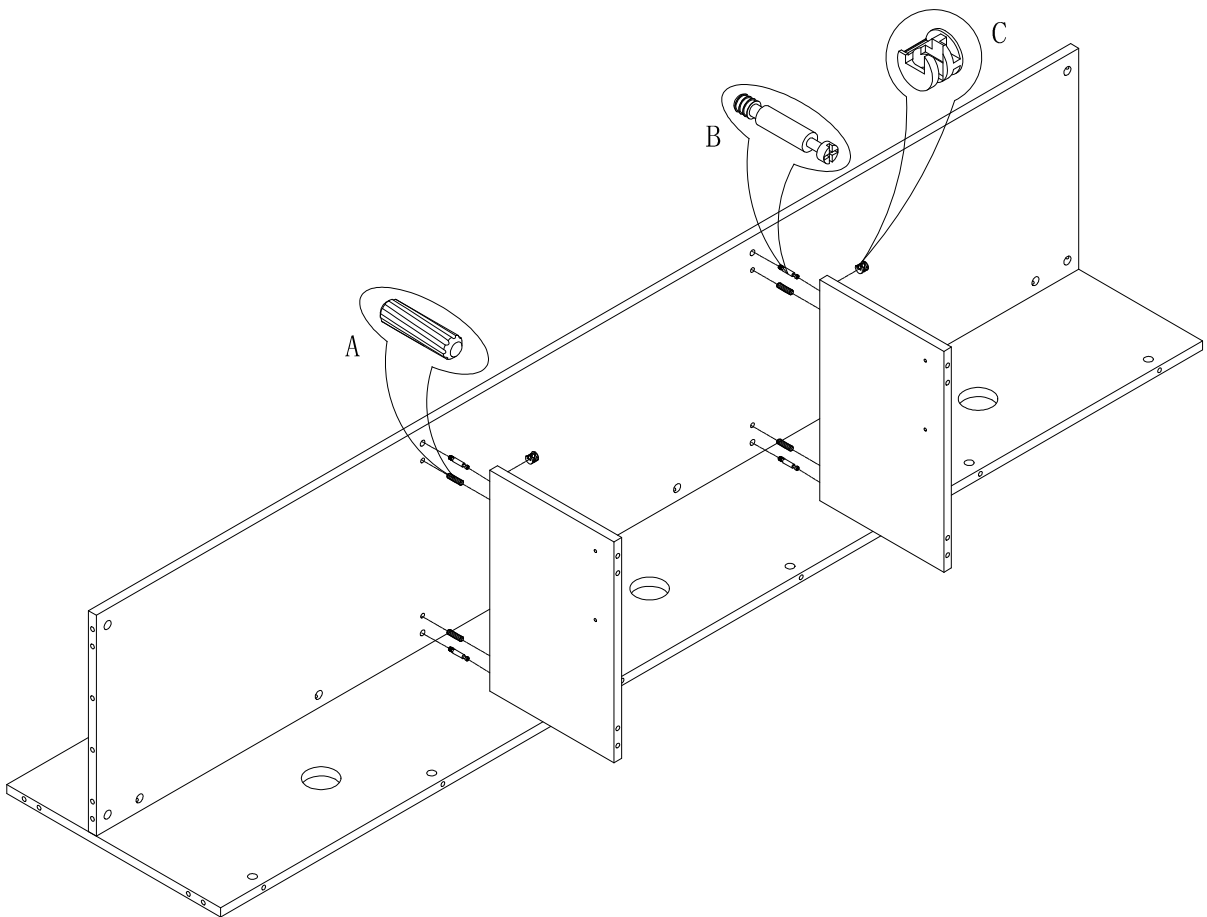


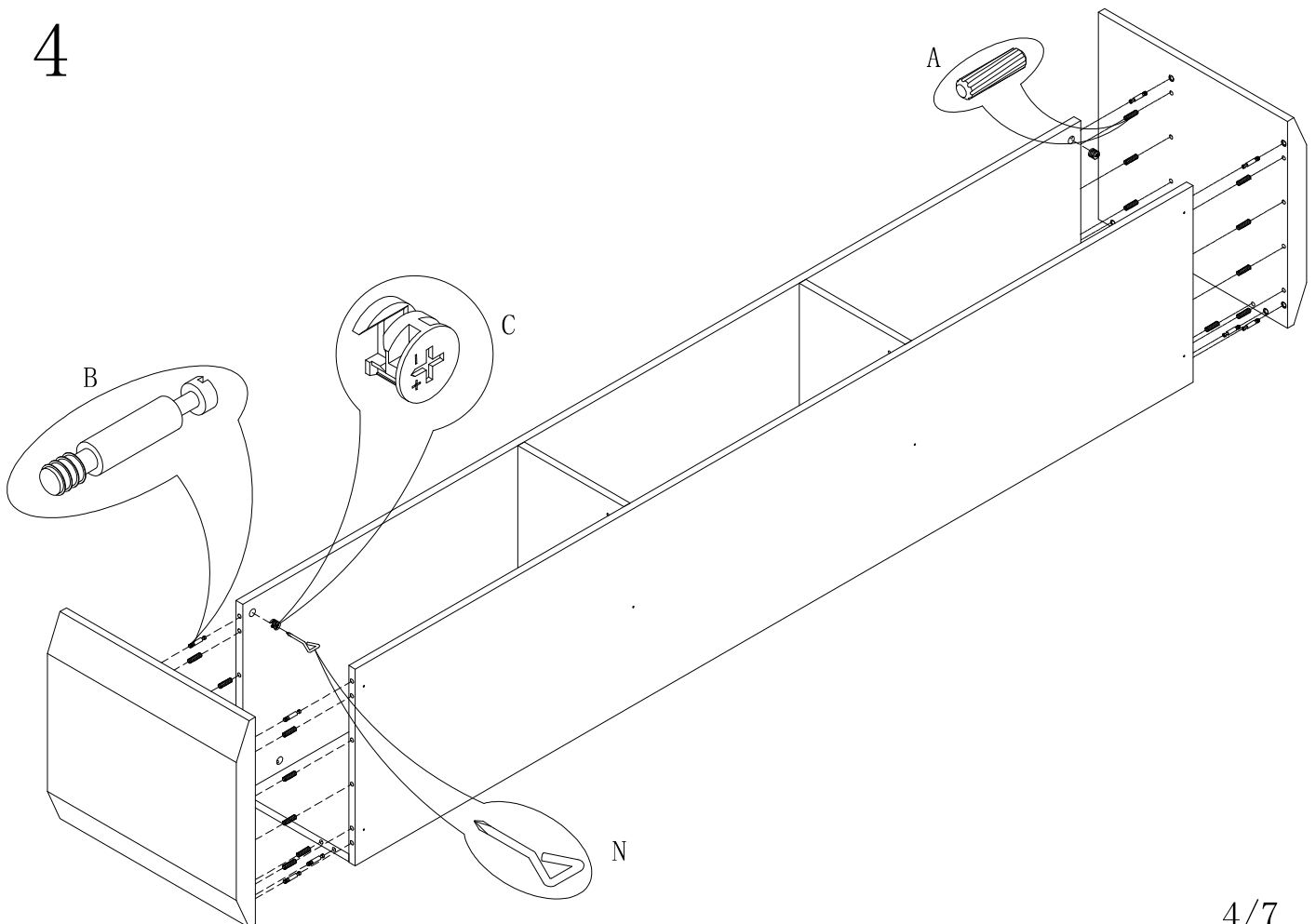
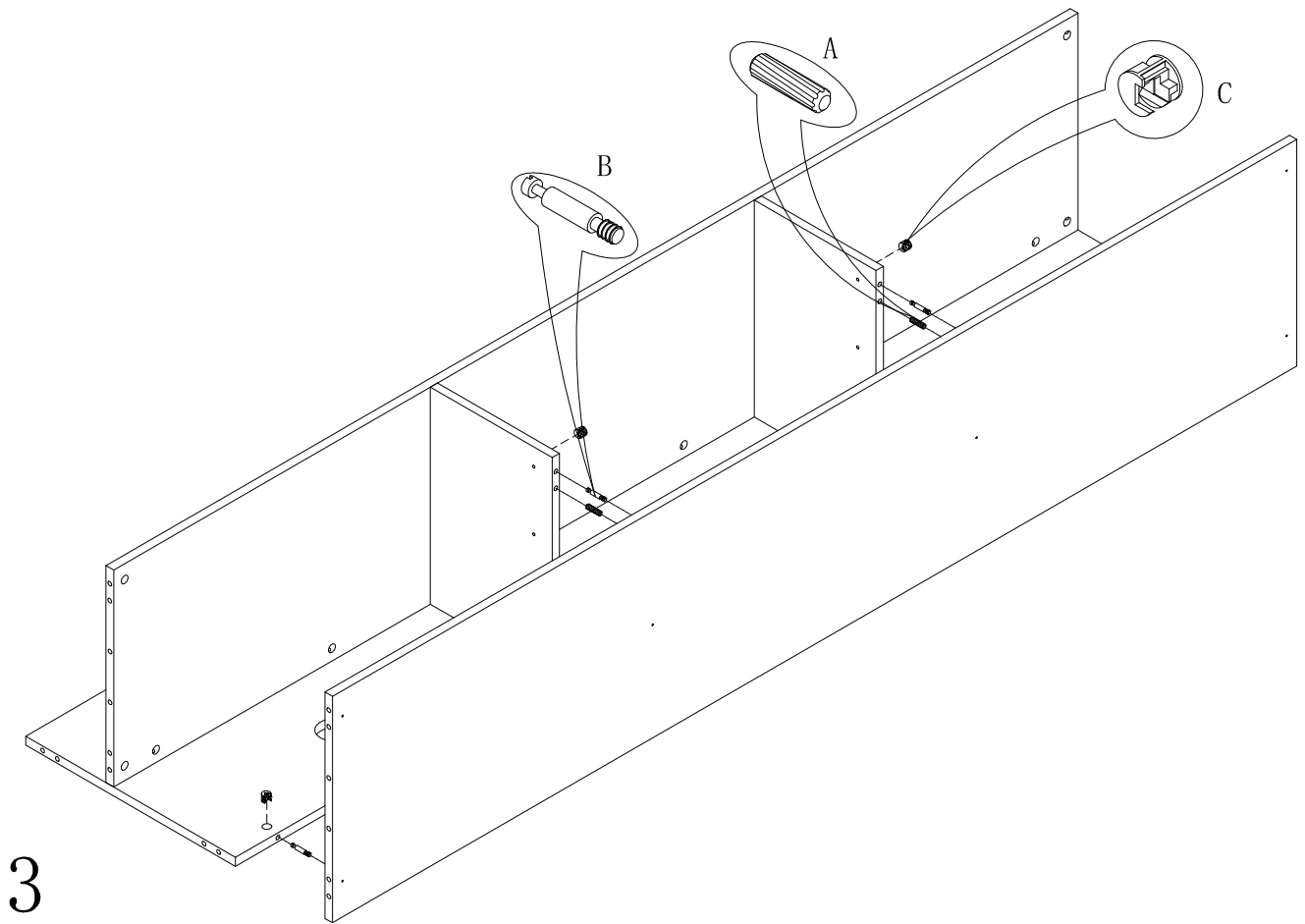
AAA x12  
Spec:  $\varnothing 3.8 \times L12$

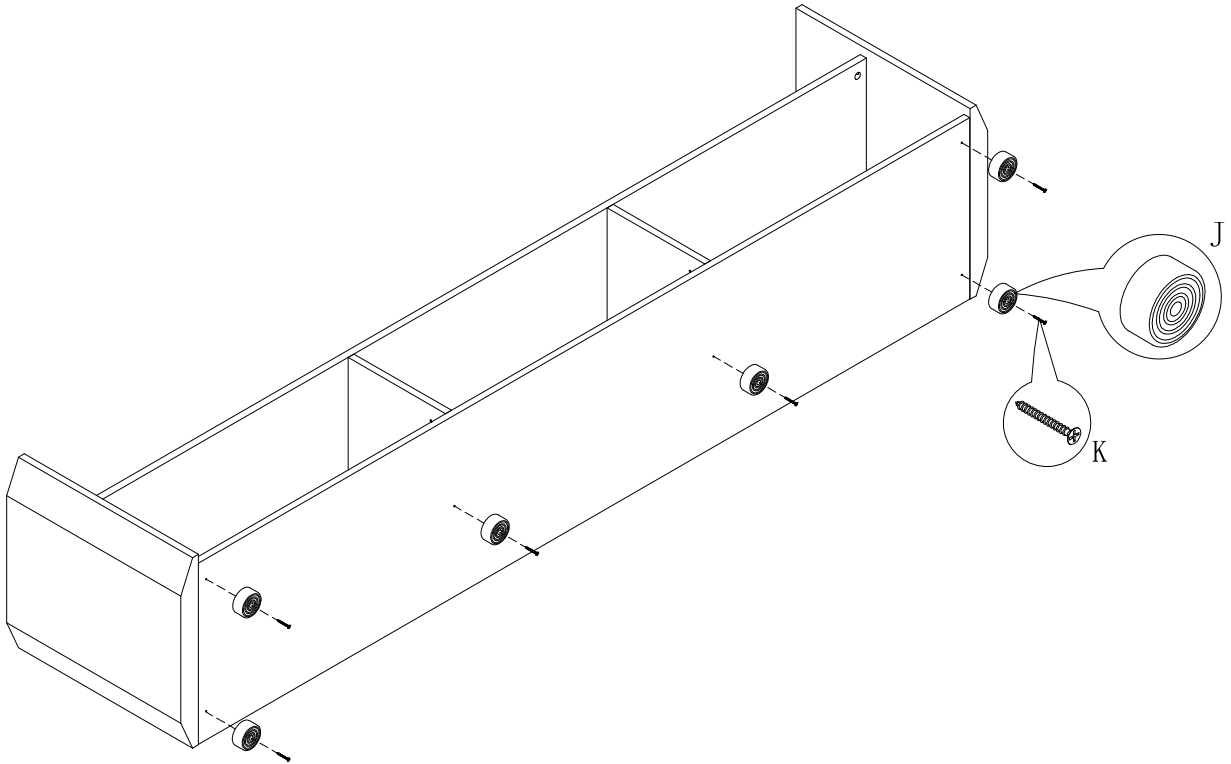


1

2

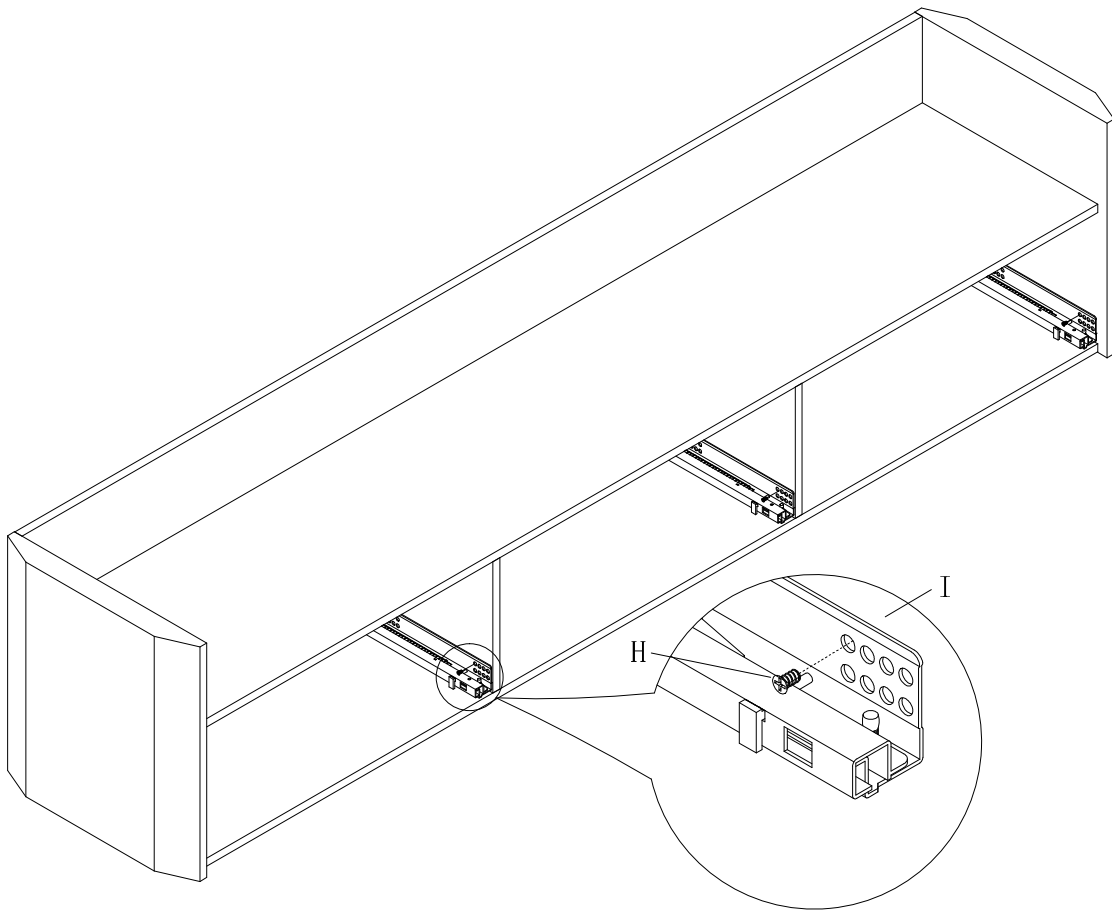


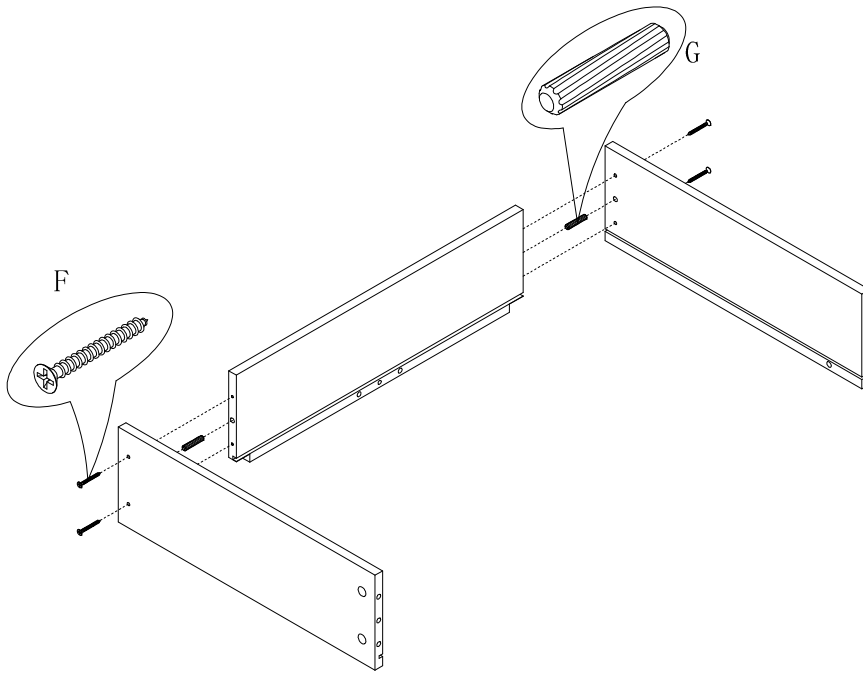




5

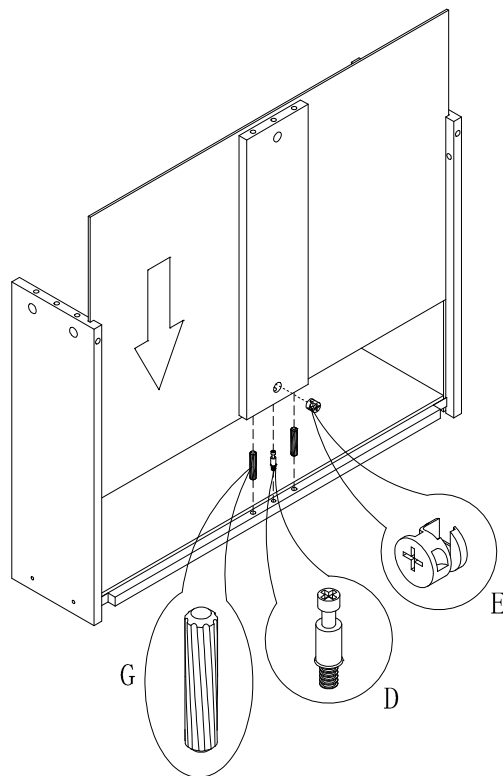
6

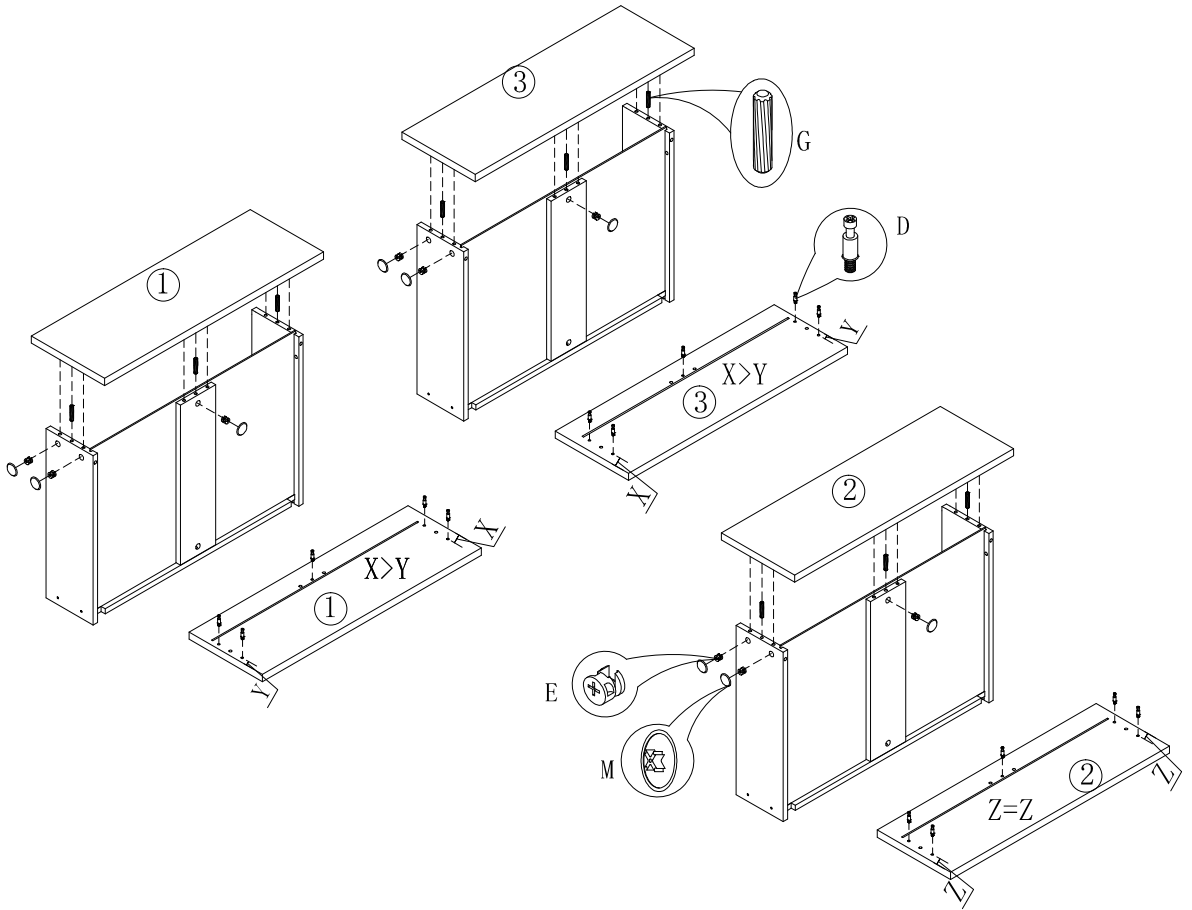




7

8





9

10

