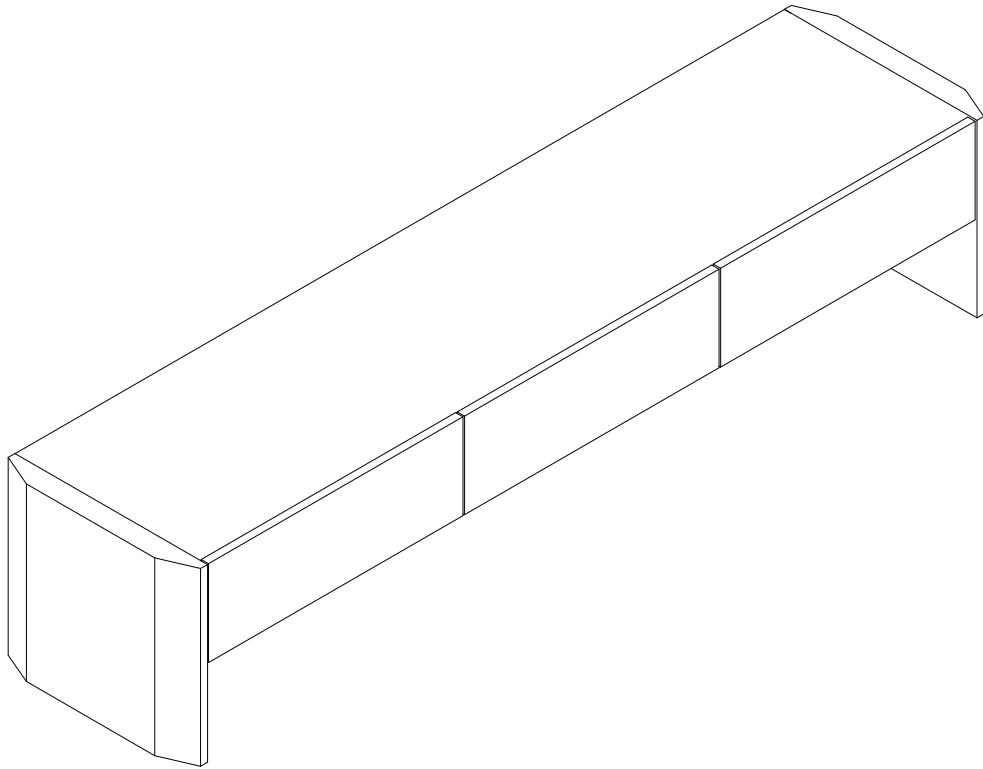


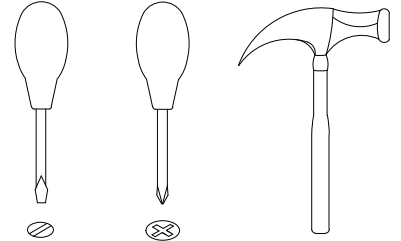
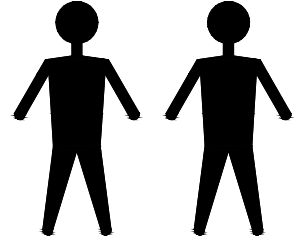
MOD
interiors

CP1907TV4

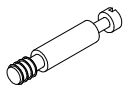


EAC

CP1907TV4



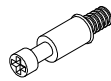
A x24
Spec: $\phi 8 \times 30$



B x16
Spec: $\phi 7 \times L30$



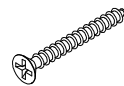
C x16
Spec: $\phi 15 \times H12$



D x18
Spec: $\phi 6 \times L28$



E x18
Spec: $\phi 12 \times H9$



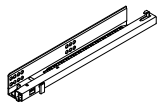
F x12
Spec: $\phi 3.5 \times L35$



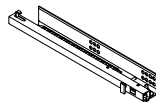
G x24
Spec: $\phi 6 \times 30$



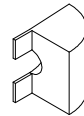
H x12
Spec: $\phi 6 \times L8$



I x3
Spec: L400



J x6
Spec: $\phi 3.5 \times L16$



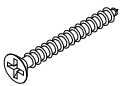
K x6
Spec: H13



L x1
Spec:



M x30
Spec:



N x12
Spec: $\phi 3.8 \times L50$



O x6
Spec: M6*35



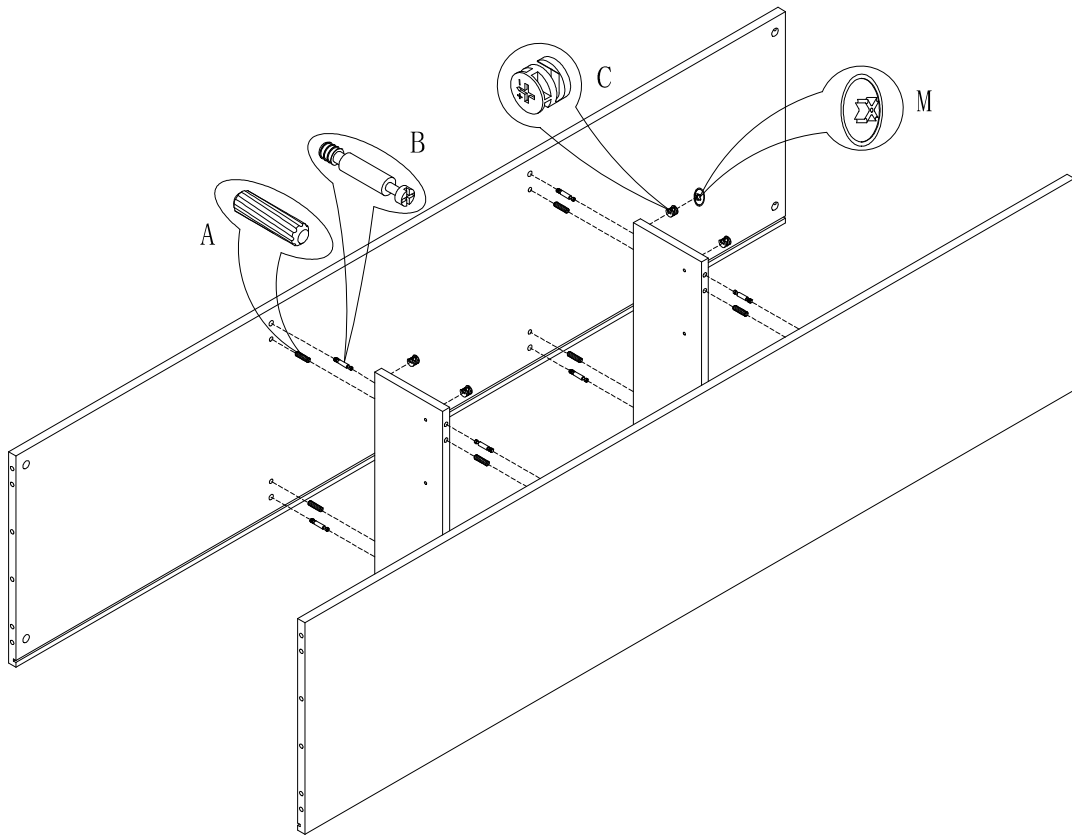
P x6
Spec: $\phi 8 \times \phi 14$



Q x4
Spec:

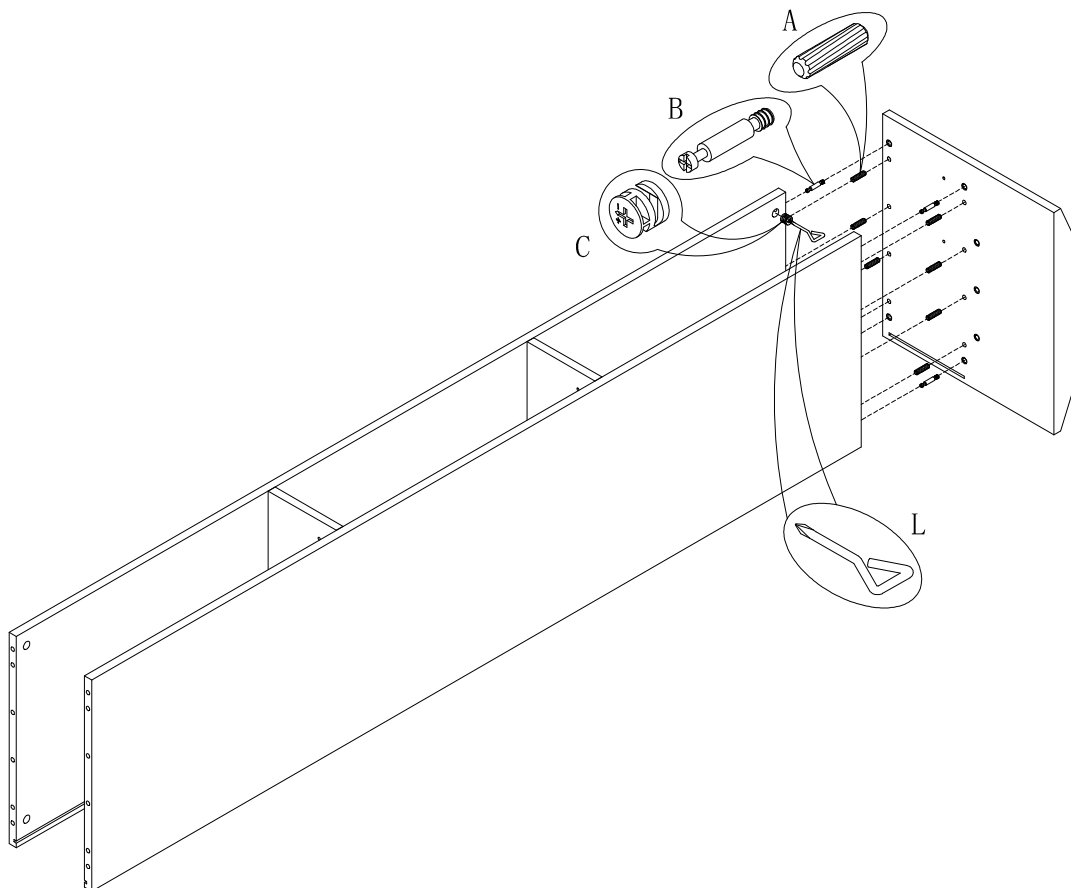


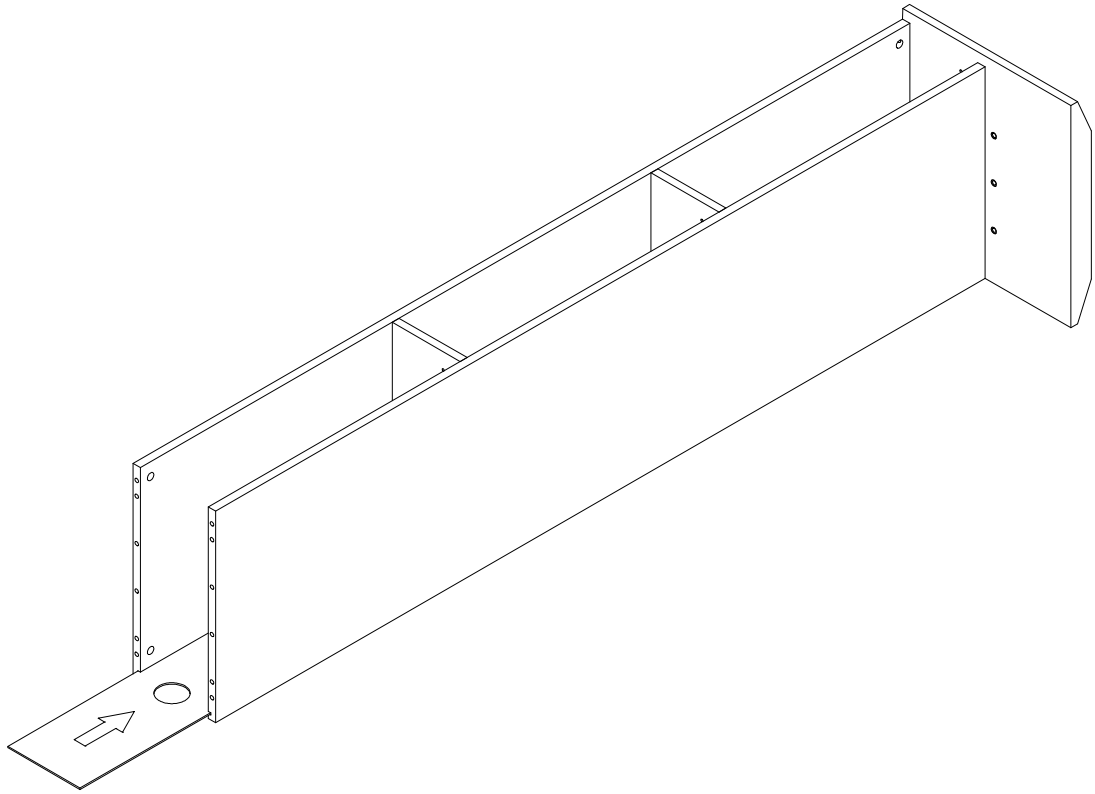
AAA x12
Spec: $\phi 3.8 \times L12$



1

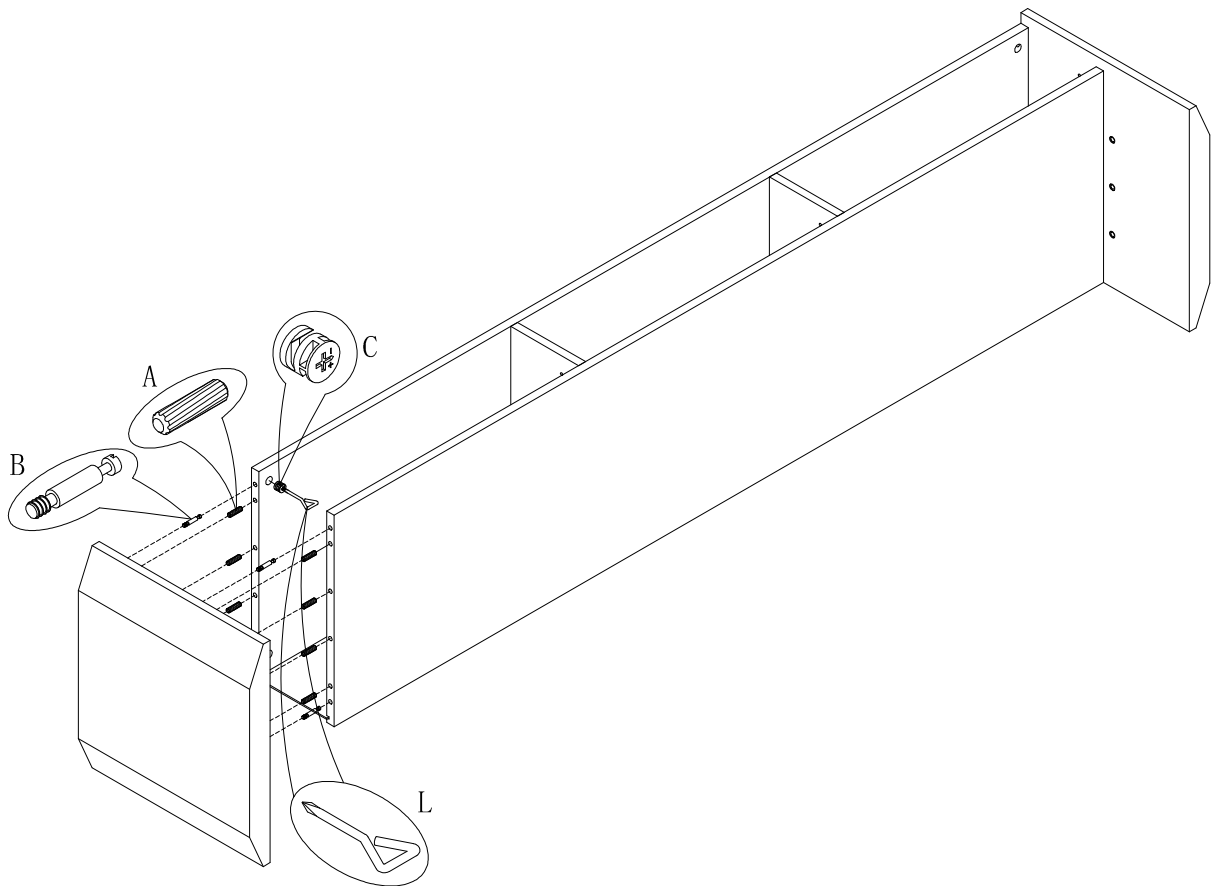
2

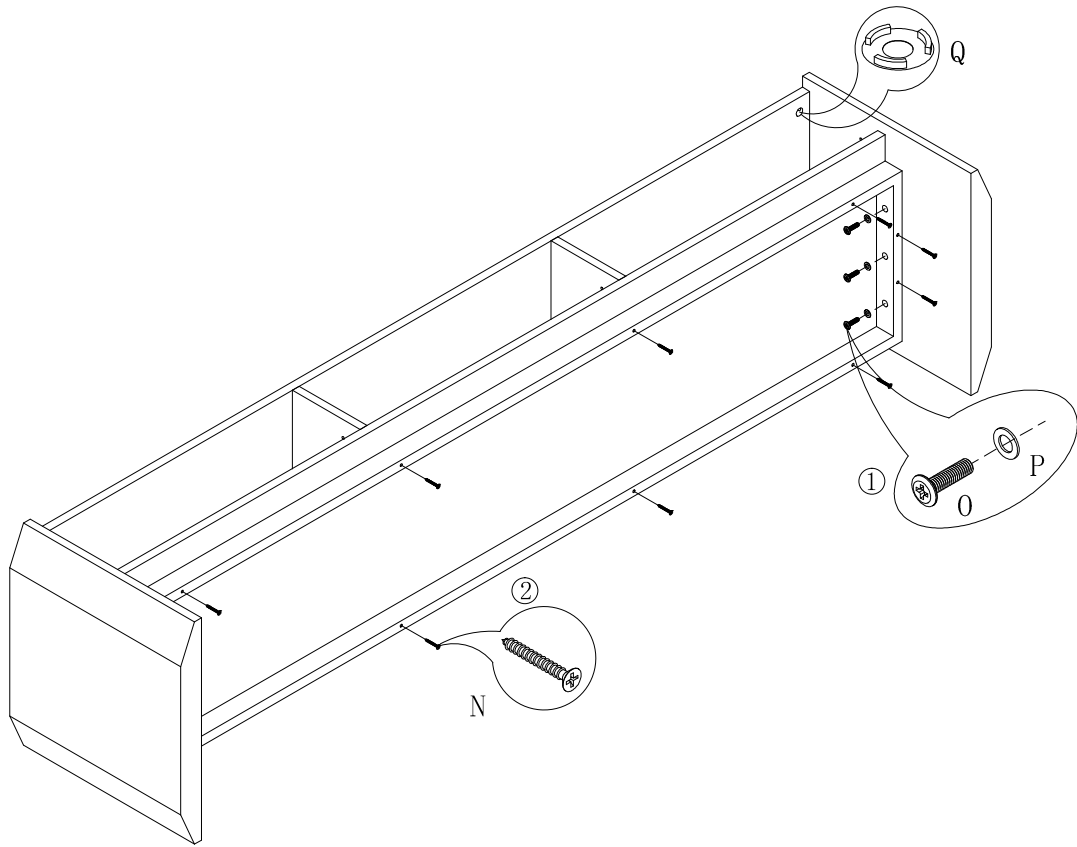




3

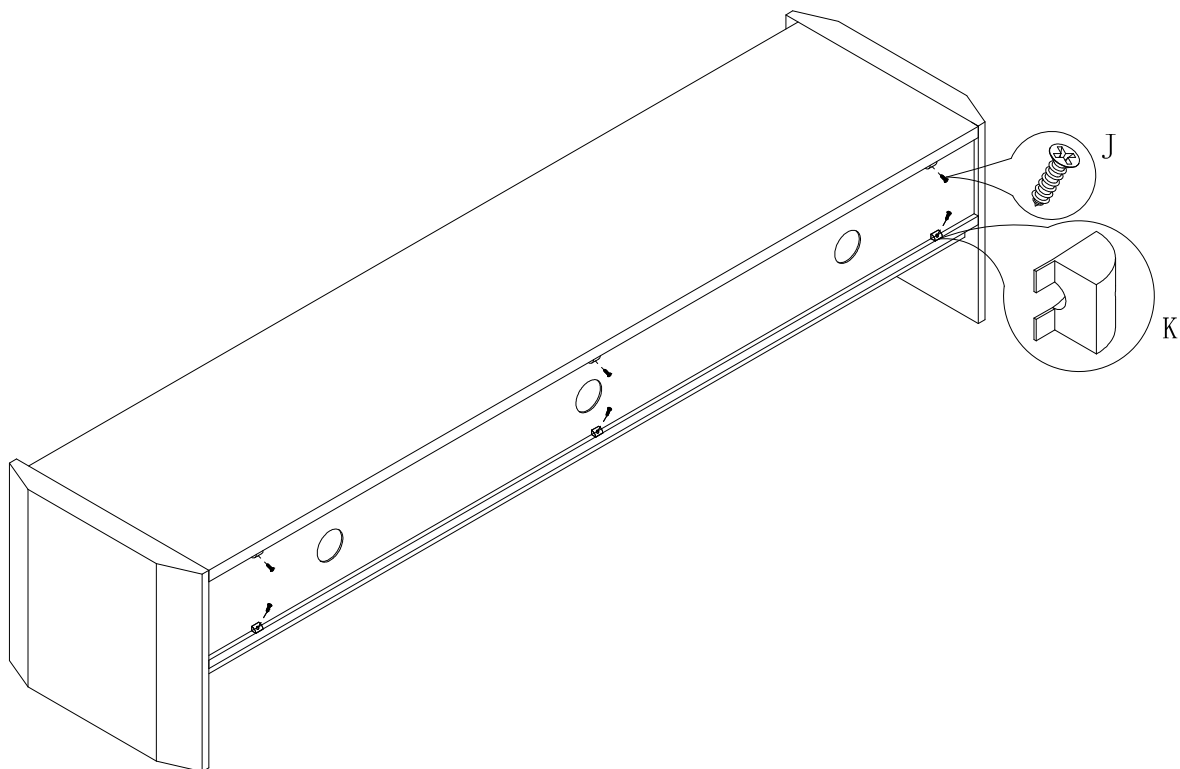
4

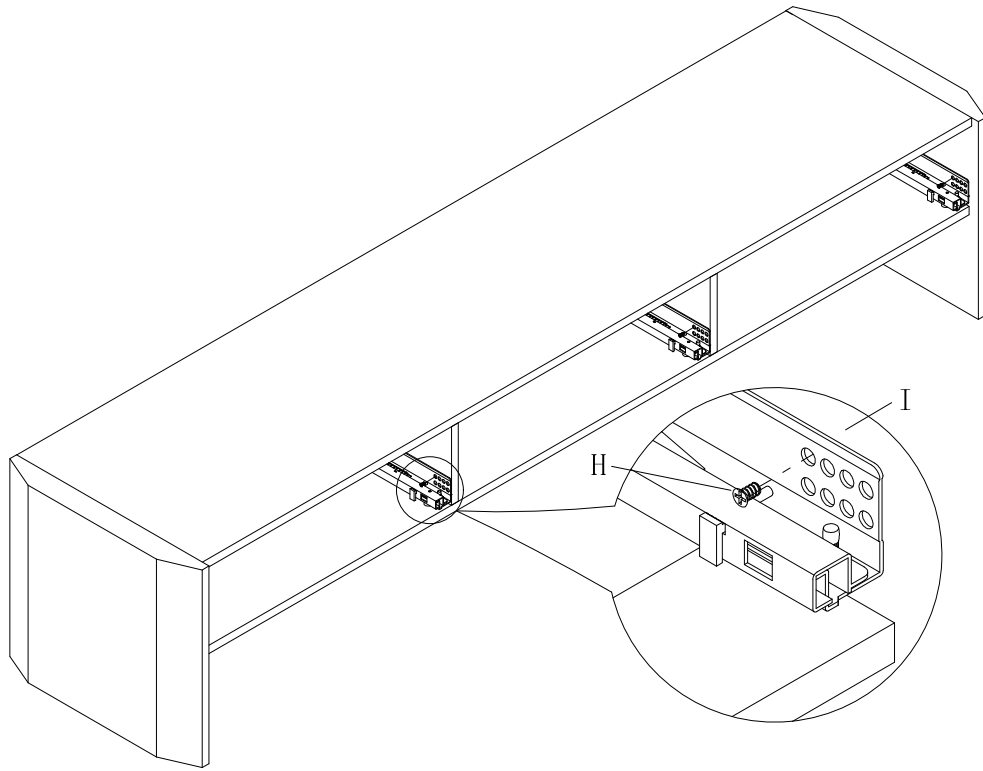




5

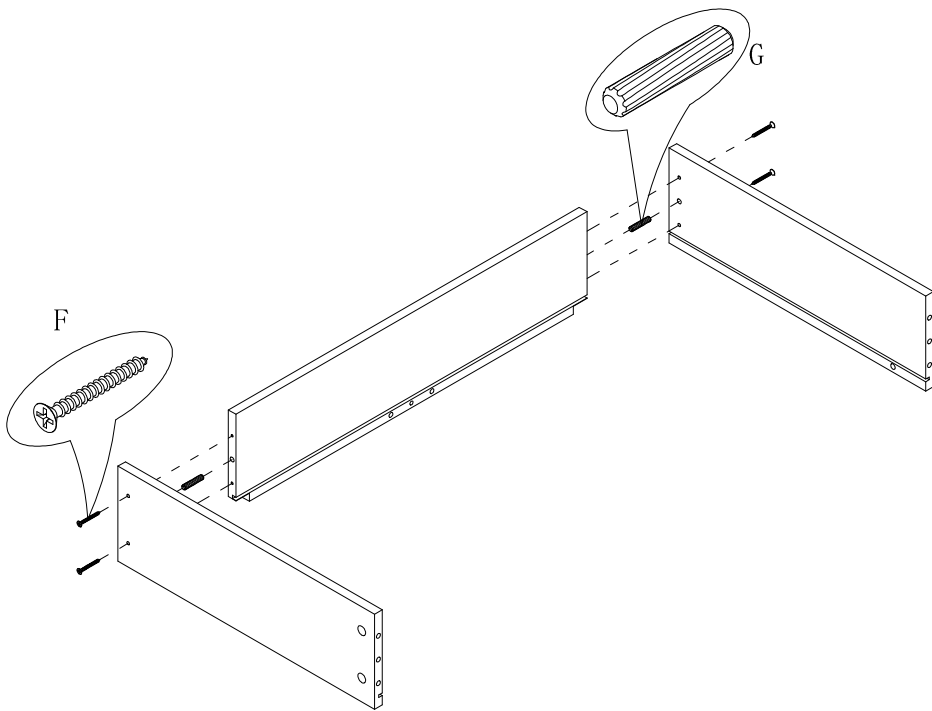
6

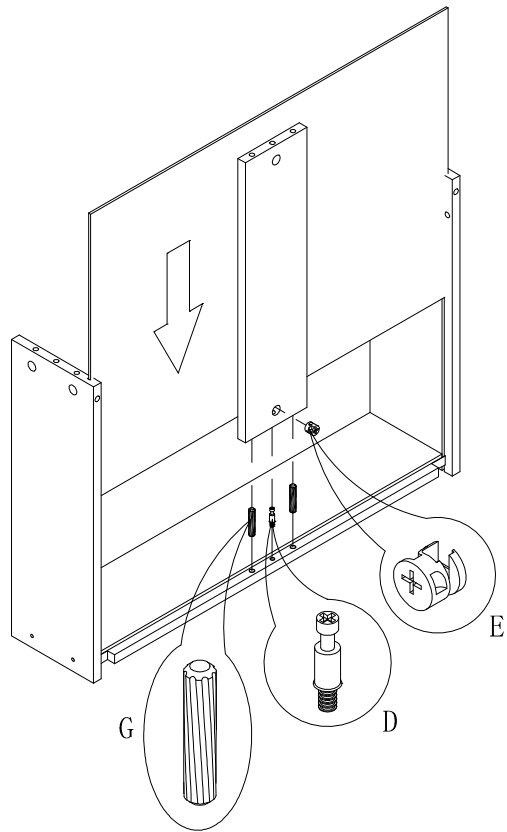




7

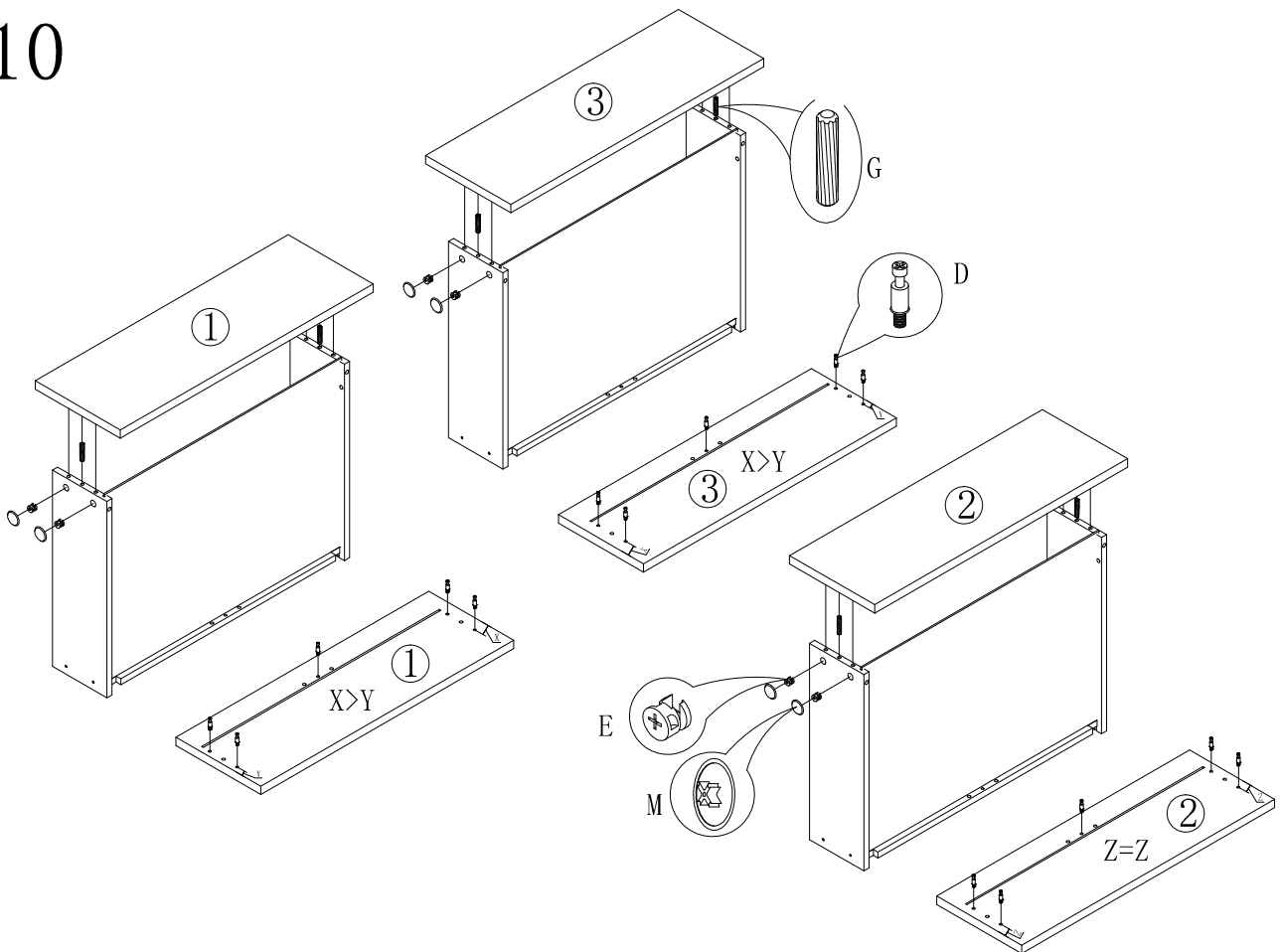
8

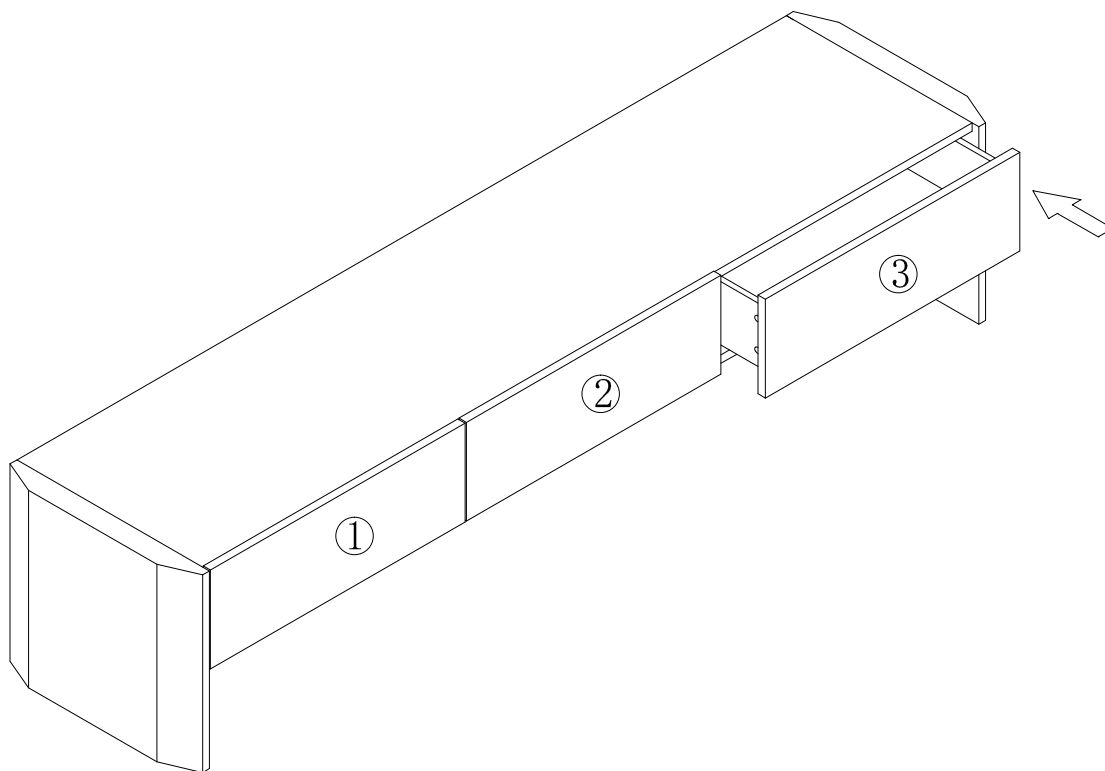




9

10





11

12

