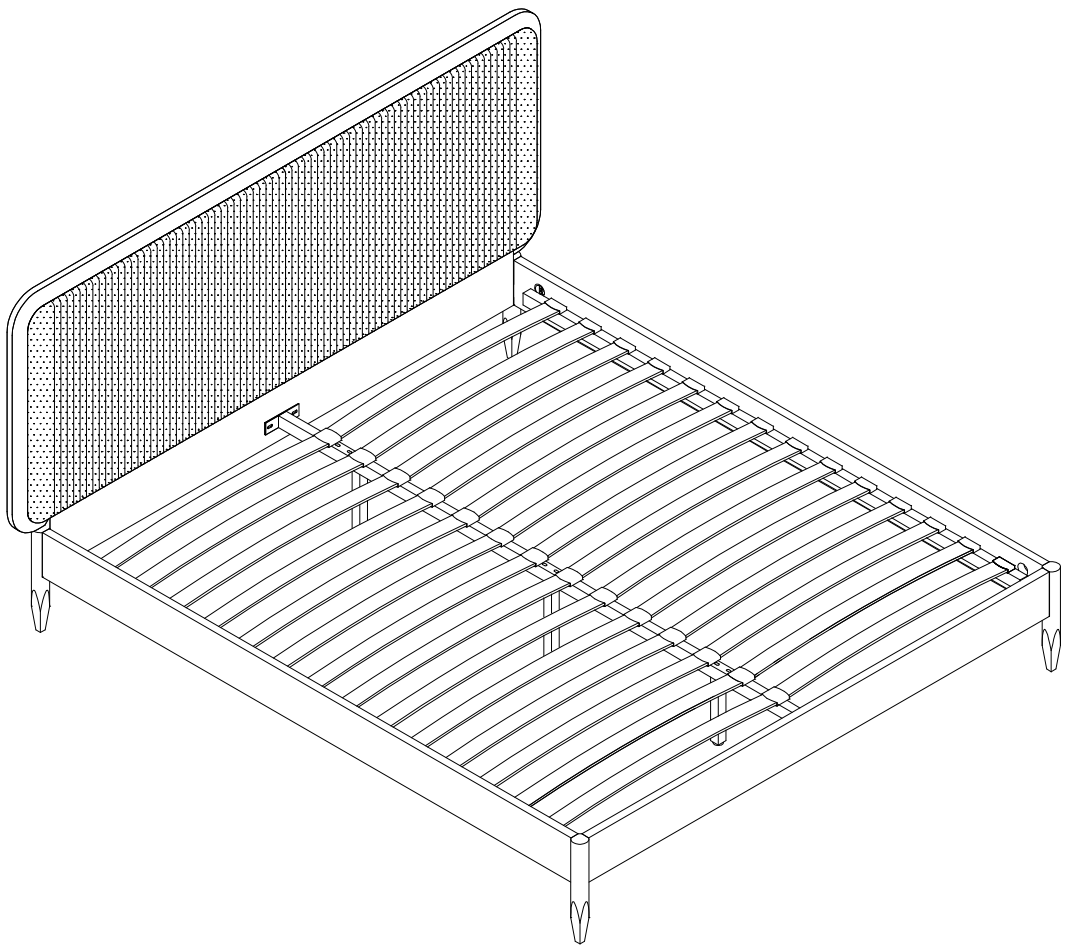


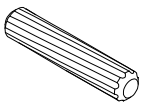
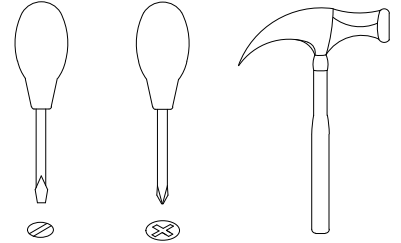
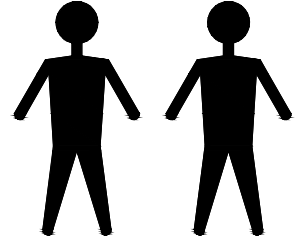


CP1908B4

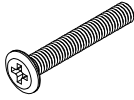


EAC

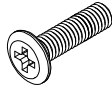
CP1908B4



A x8
Spec: $\varnothing 10 \times 40$



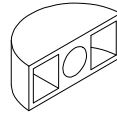
B x8
Spec: M6*45



C x4
Spec: M6*20



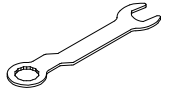
D x8
Spec: M8*L95



F x8
Spec:



G x8
Spec: M8



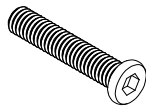
H x1
Spec: 14#



I x1
Spec: 5#



J x18
Spec: $\varnothing 8 \times \varnothing 18$



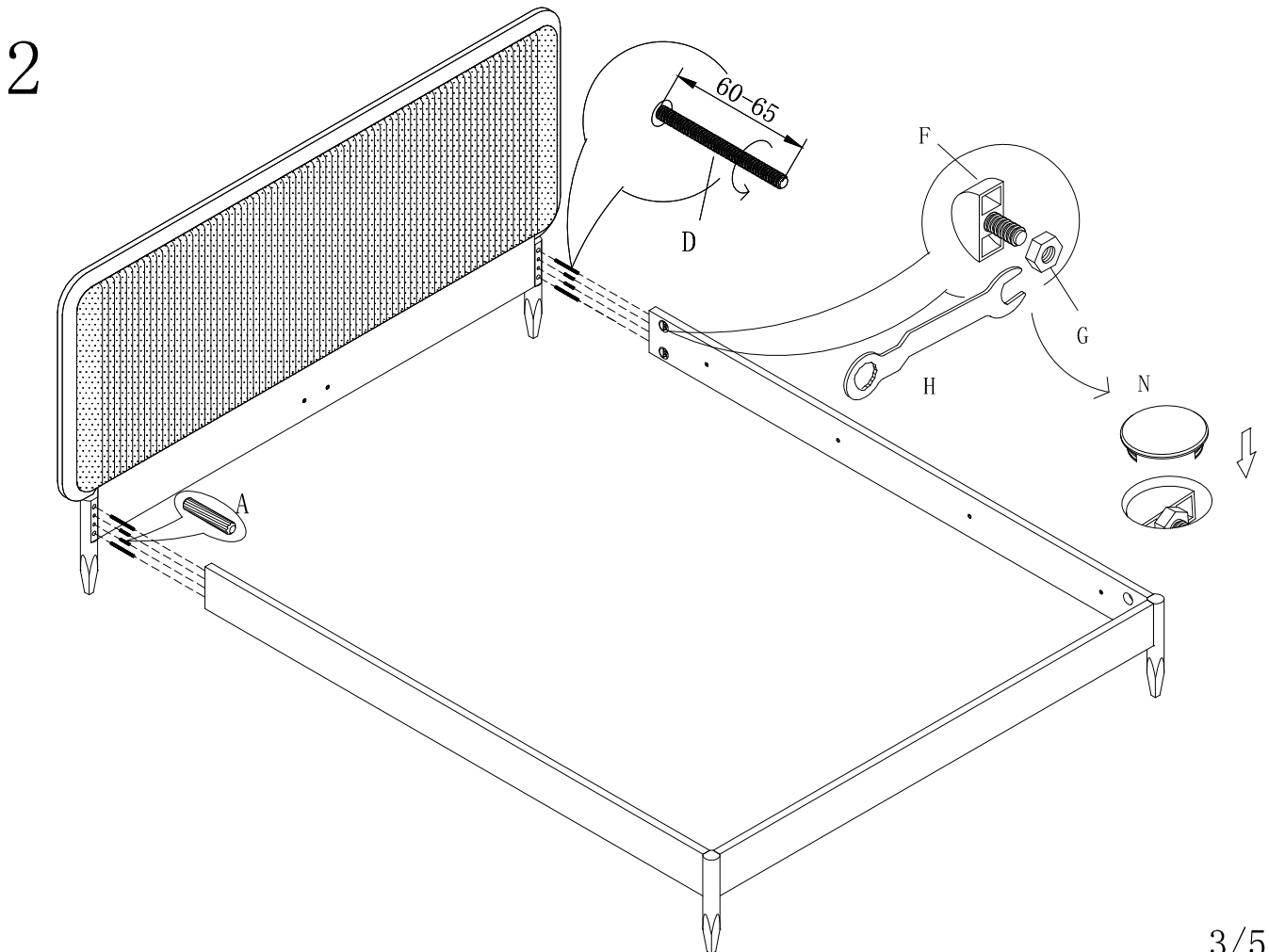
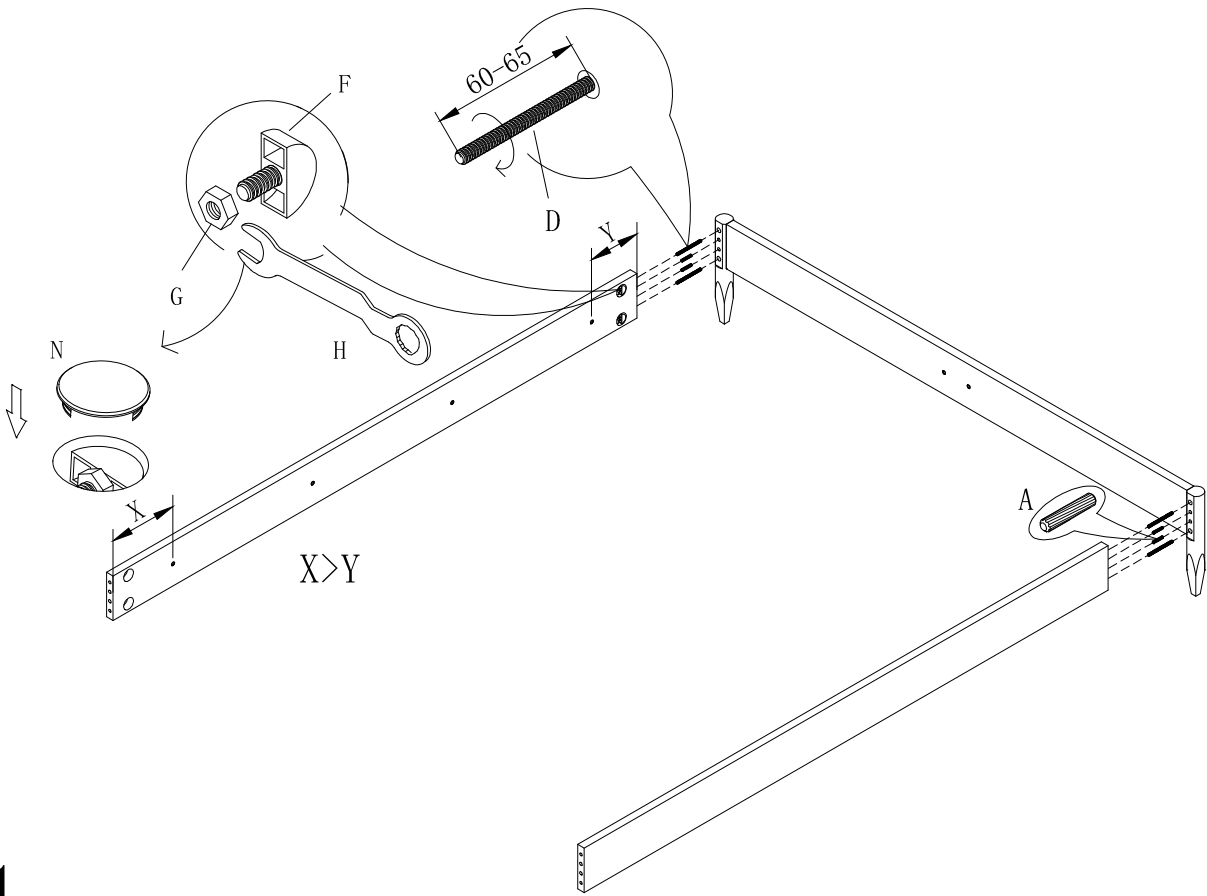
K x6
Spec: 5/16*L60

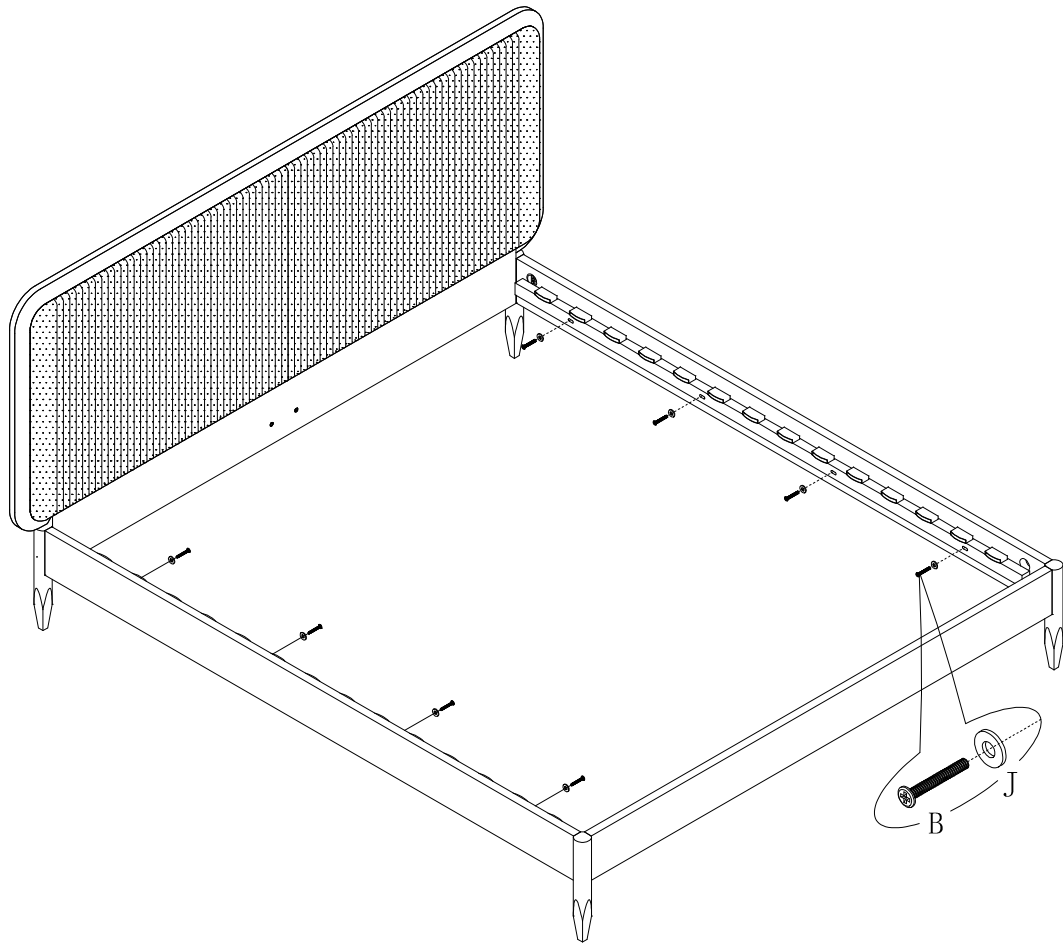


L x3
Spec: L250

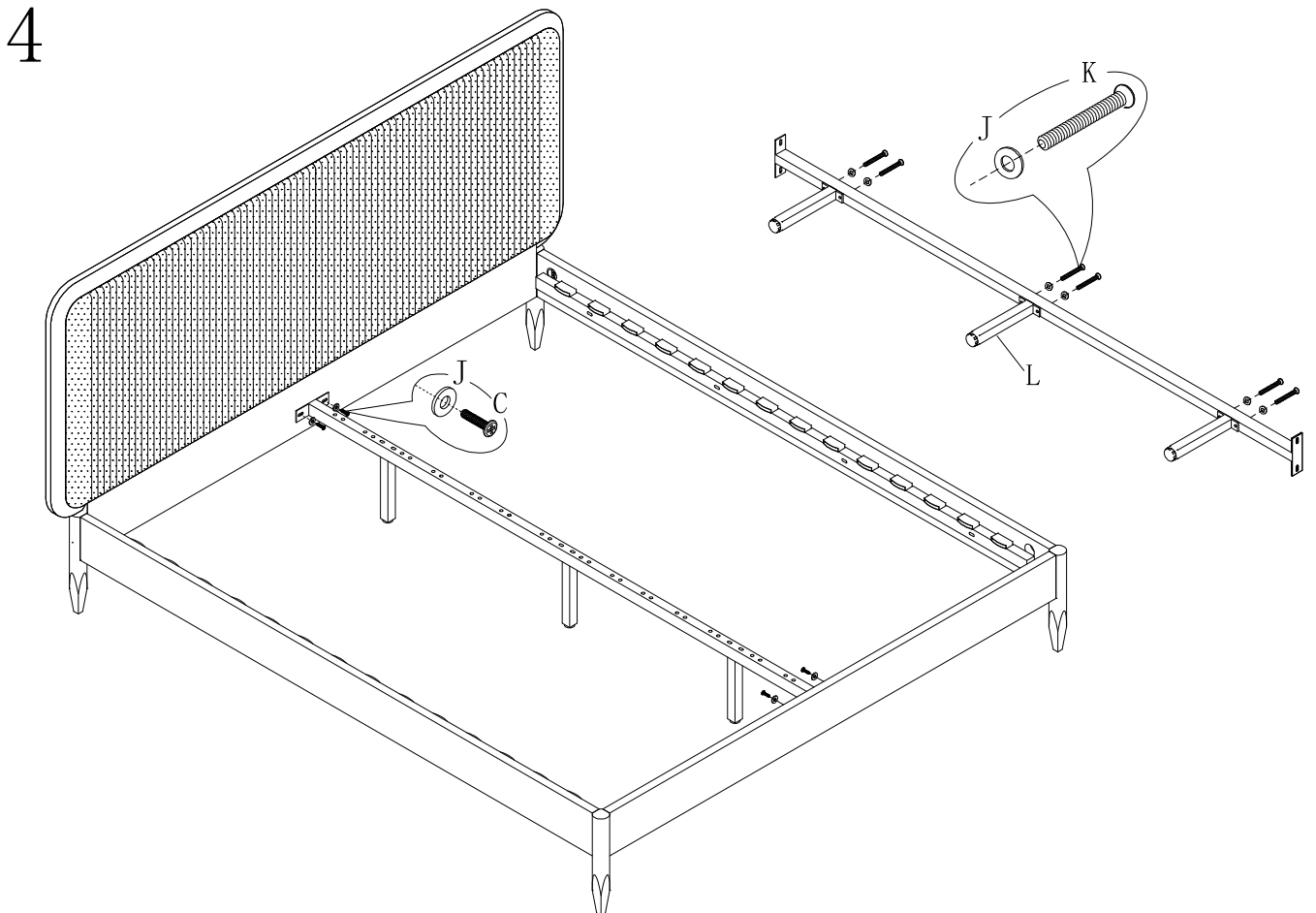


N x8
Spec: $\varnothing 38$

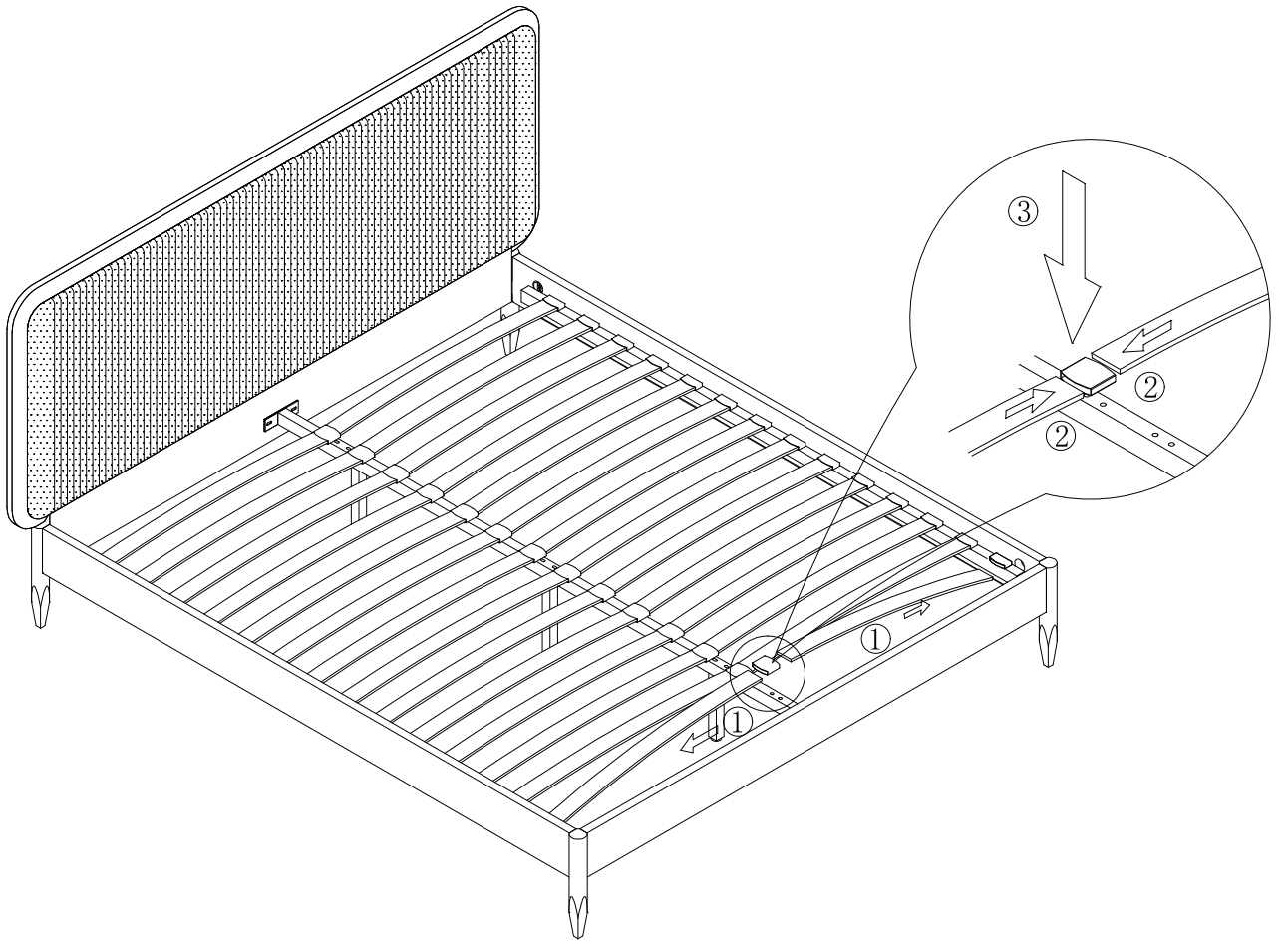




3



4



5
