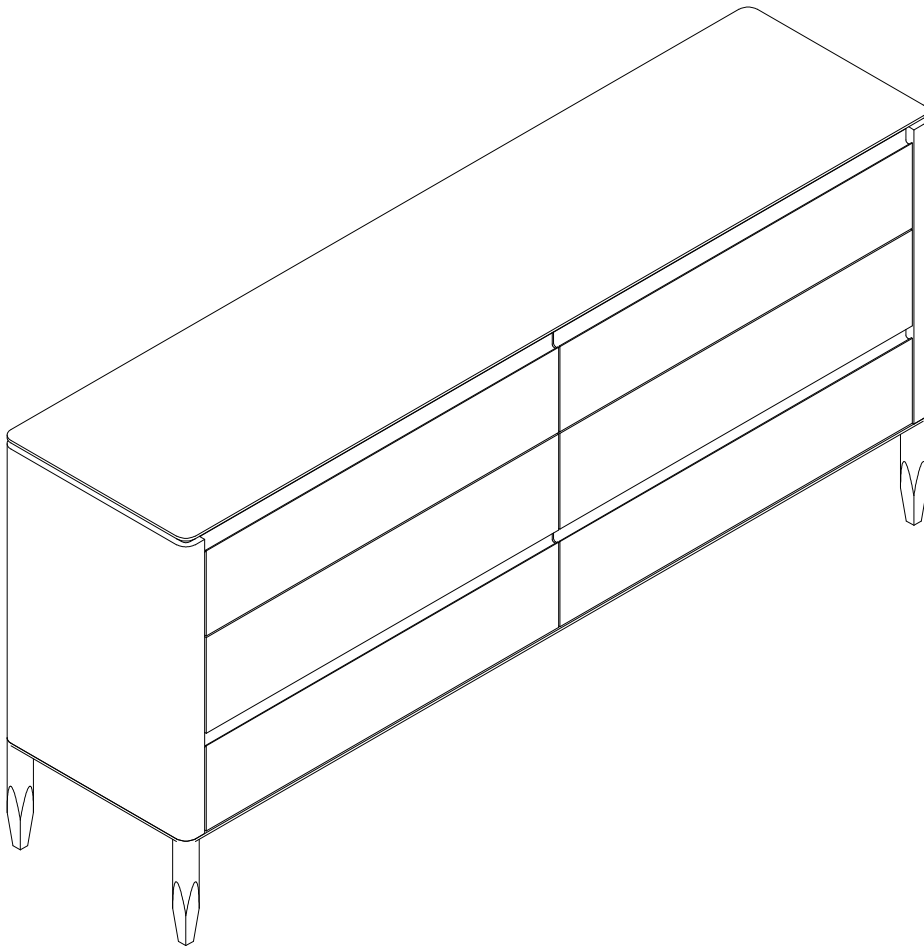


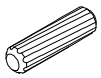
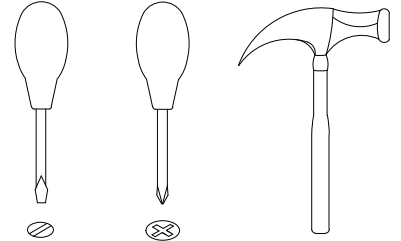
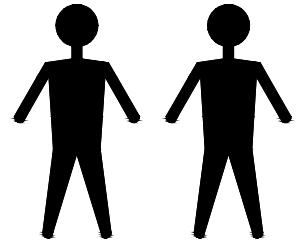
MOD
interiors

CP1908C4-50

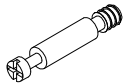


EAC

CP1908C4-50



A x22
Spec: $\varnothing 8 \times 30$



B x14
Spec: $\varnothing 7 \times L30$



C x16
Spec: $\varnothing 15 \times H12$



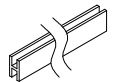
D x36
Spec: $\varnothing 6 \times L28$



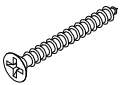
E x36
Spec: $\varnothing 12 \times H9$



F x36
Spec: $\varnothing 6 \times L8$



G x2
Spec: L751



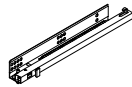
H x24
Spec: $\varnothing 3.5 \times L35$



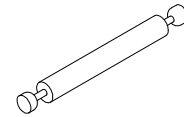
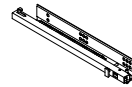
I x48
Spec: $\varnothing 6 \times 30$



J x8
Spec:



K x6
Spec: L400



L x1
Spec: $\varnothing 7 \times L66$



M x44
Spec:



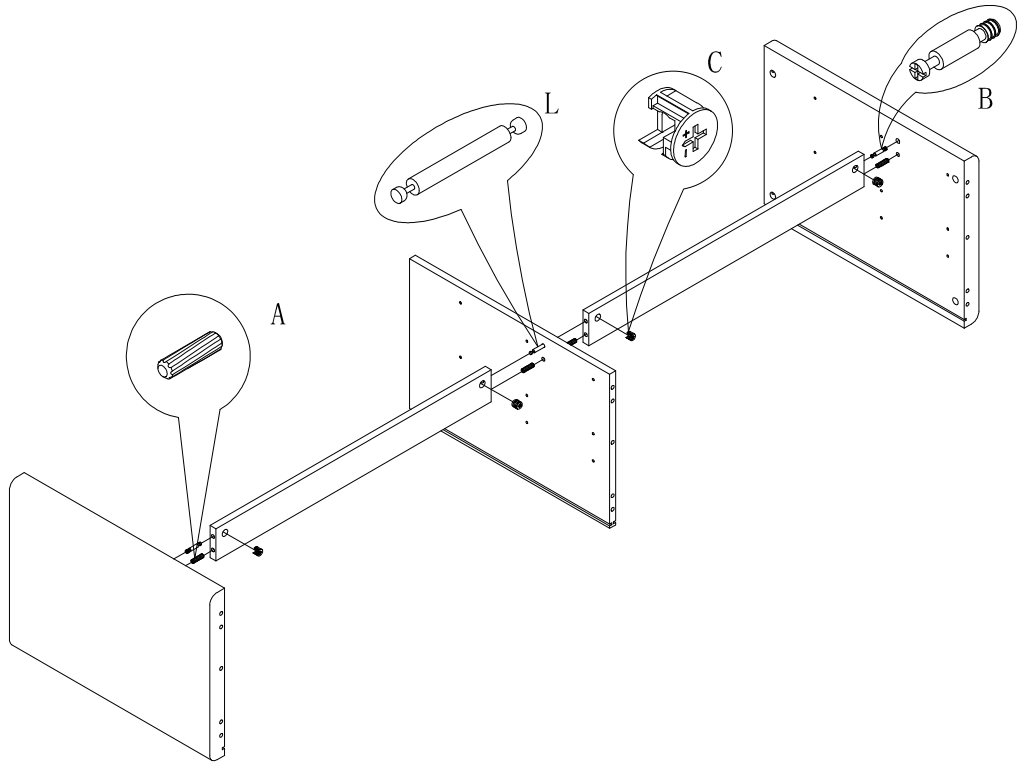
N x16
Spec: $\varnothing 3.5 \times L16$



O x16
Spec: H13

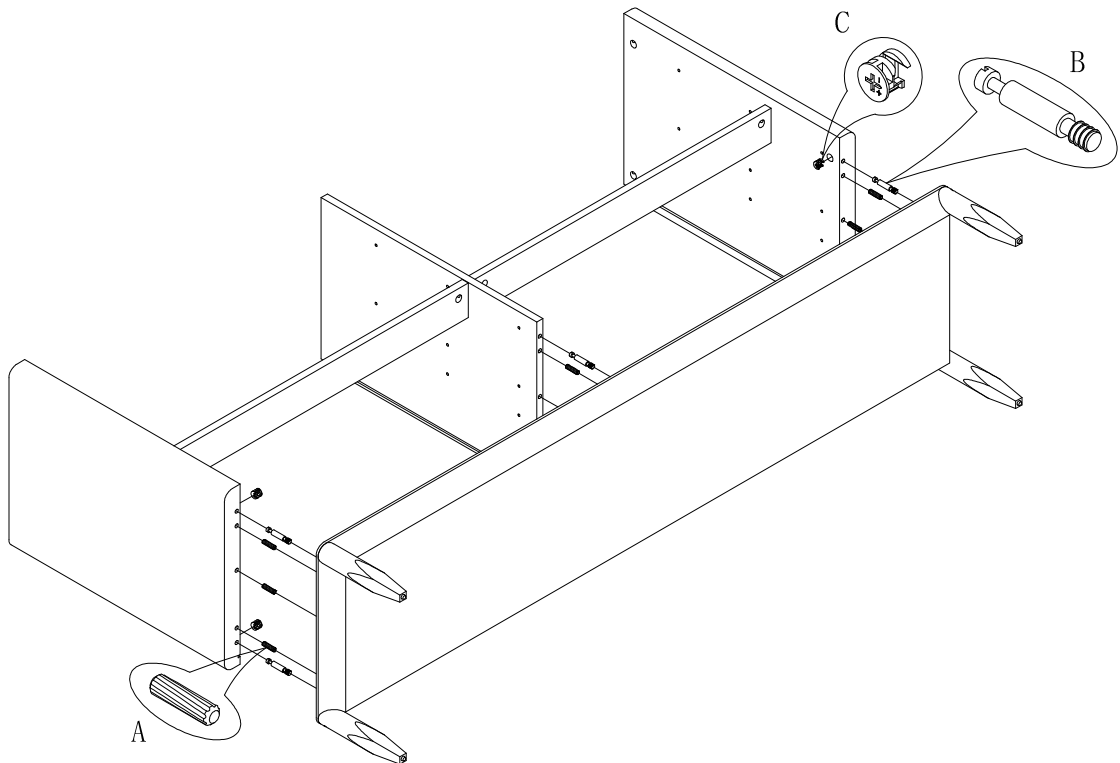


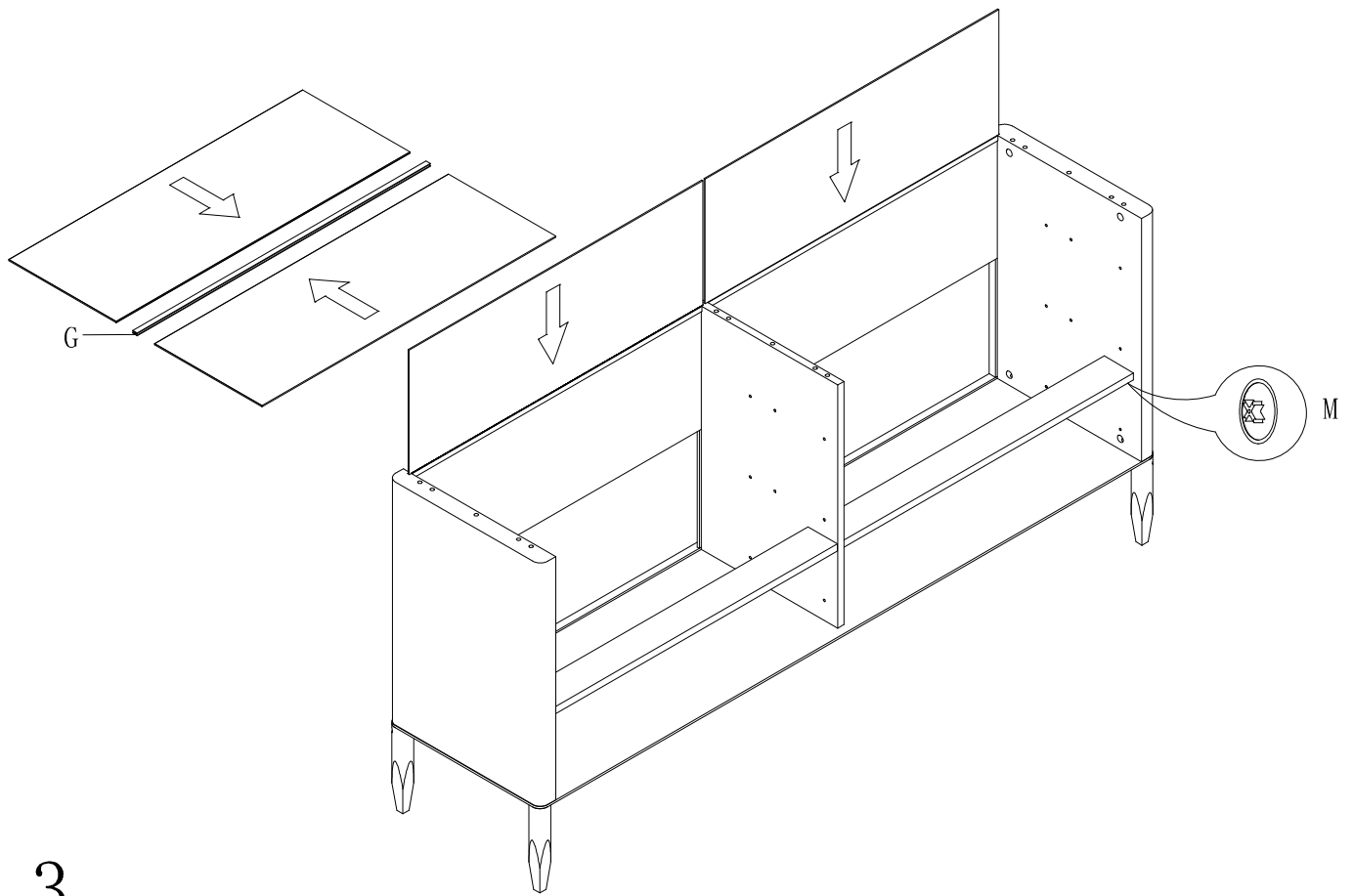
AAA x24
Spec: $\varnothing 3.8 \times L12$



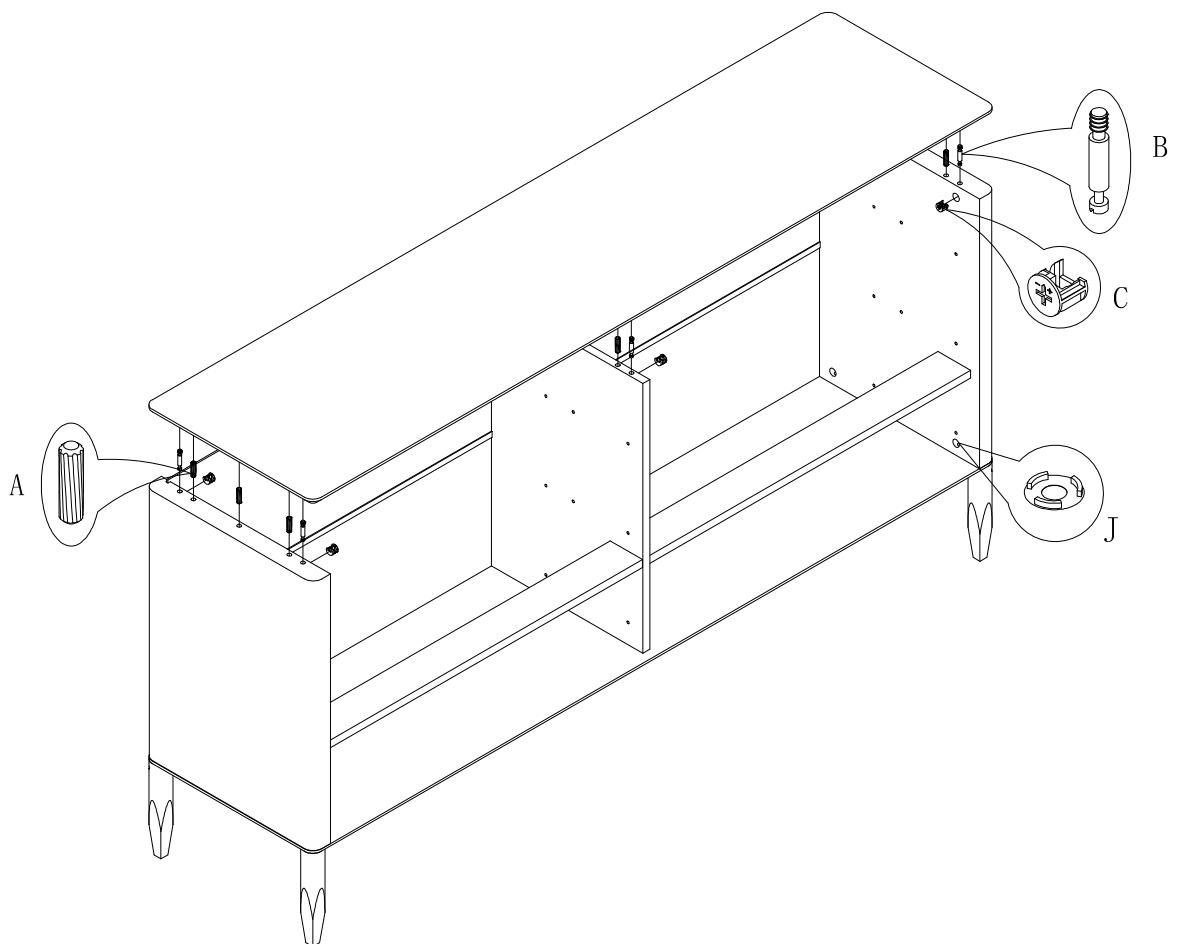
1

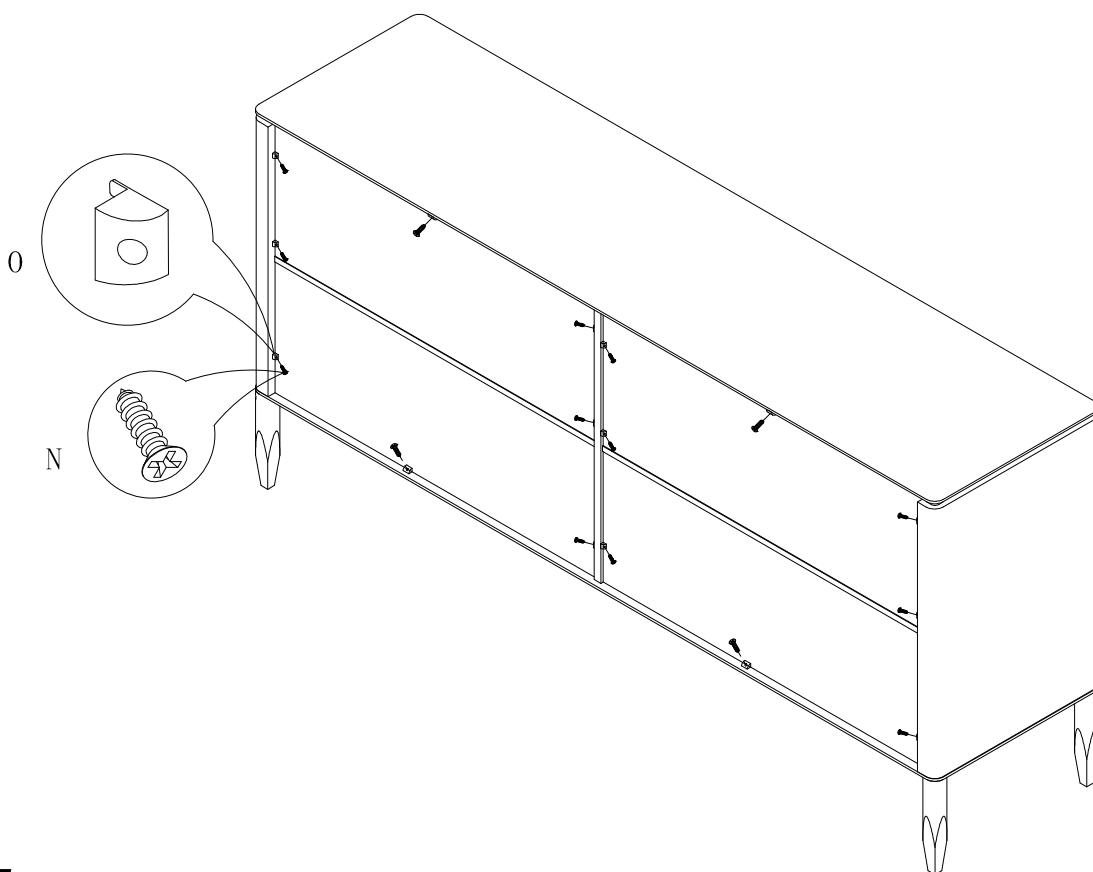
2



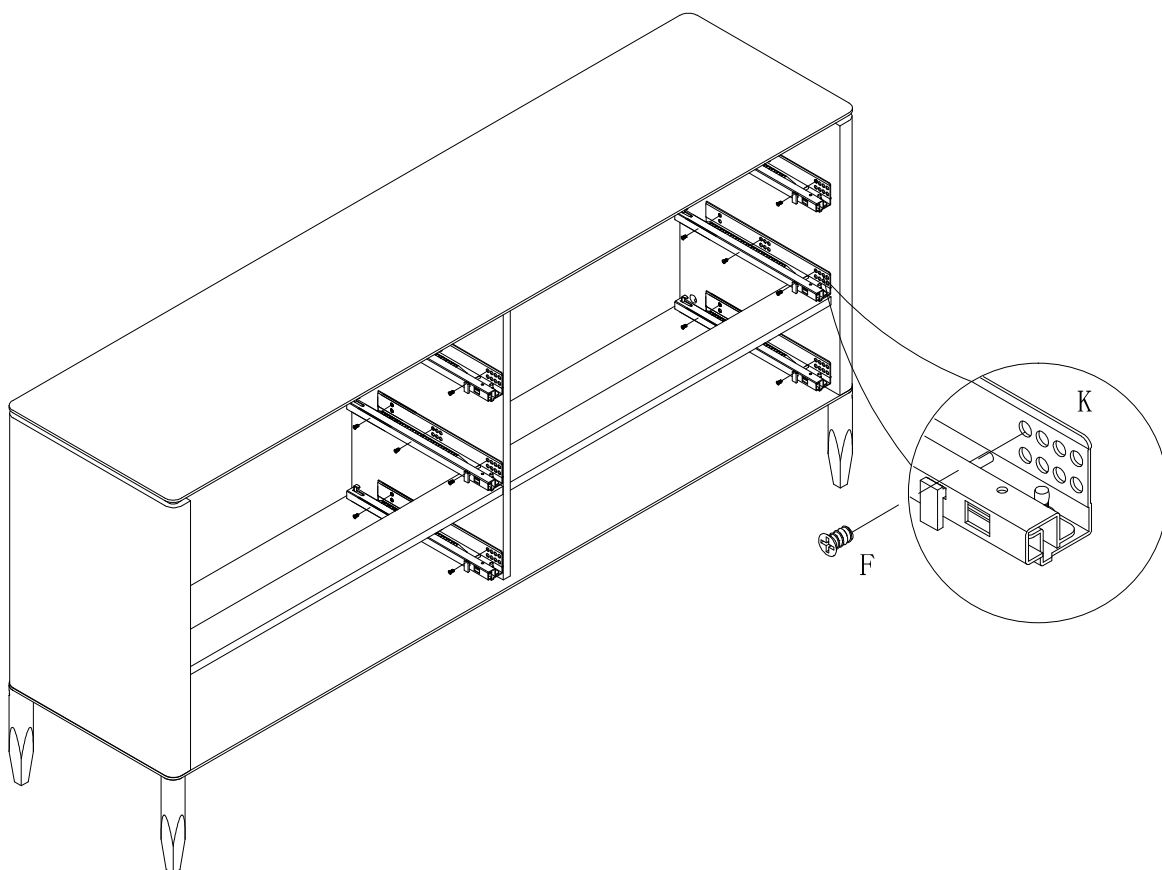


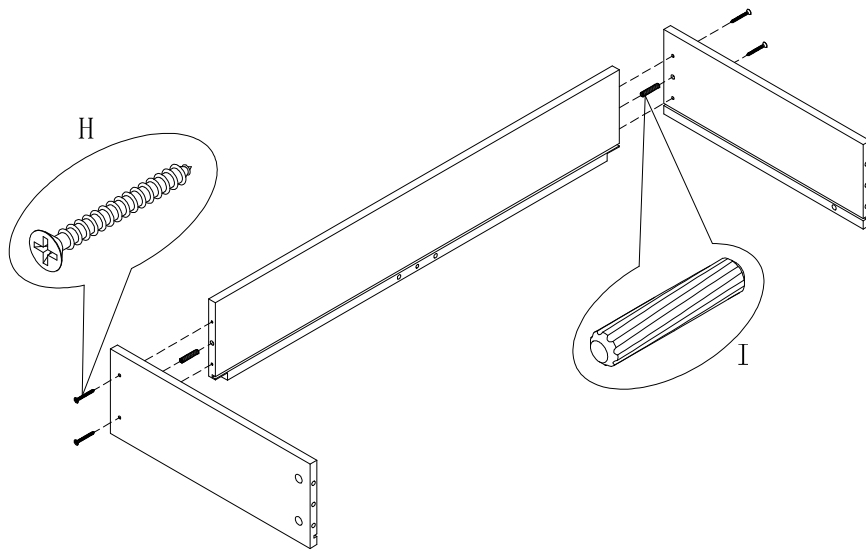
4





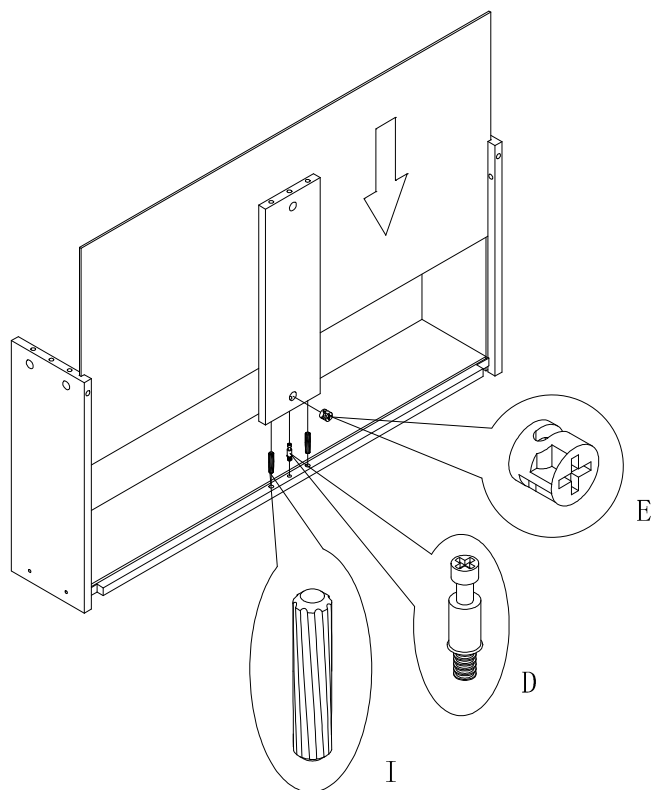
6

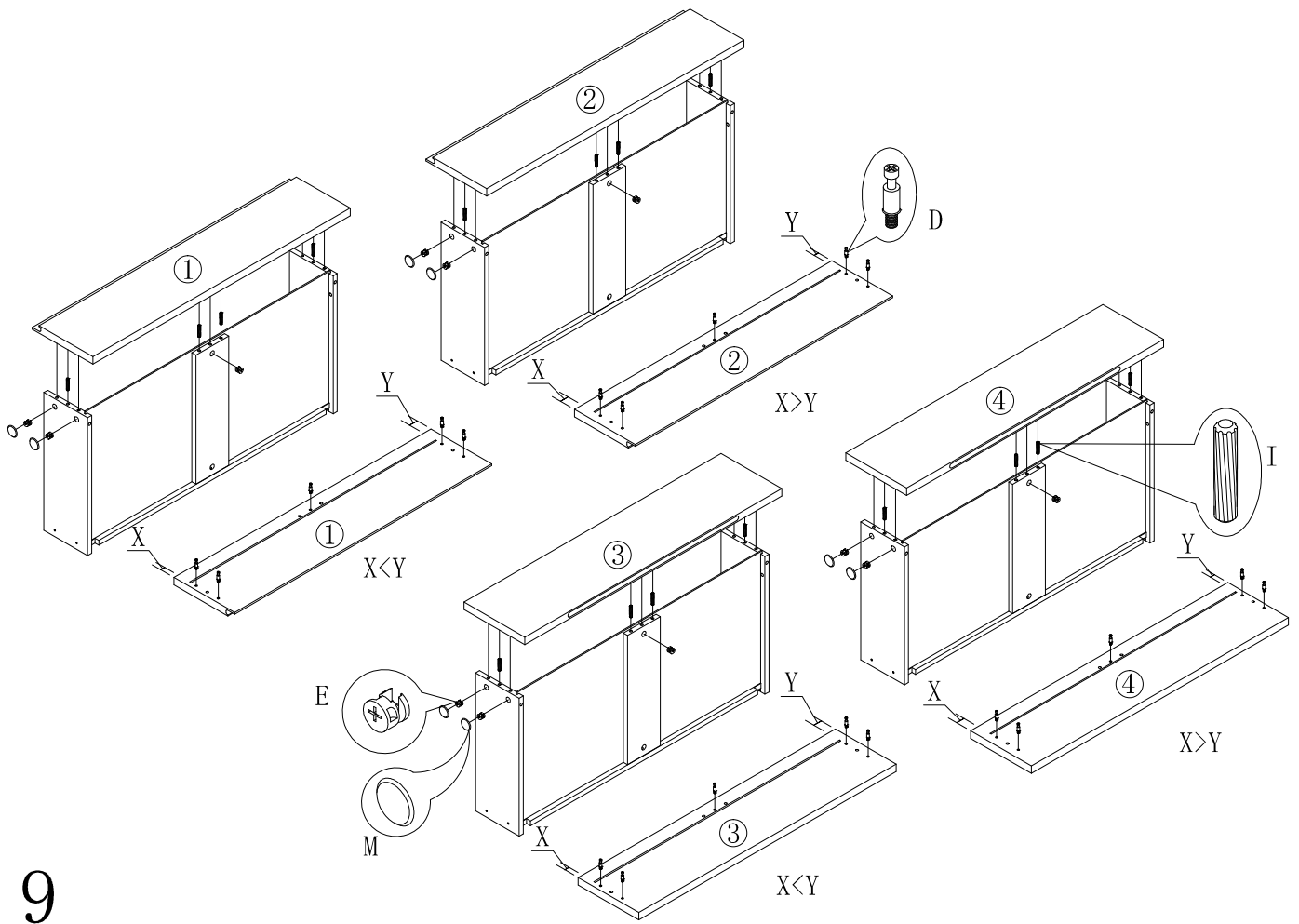




7

8





10

