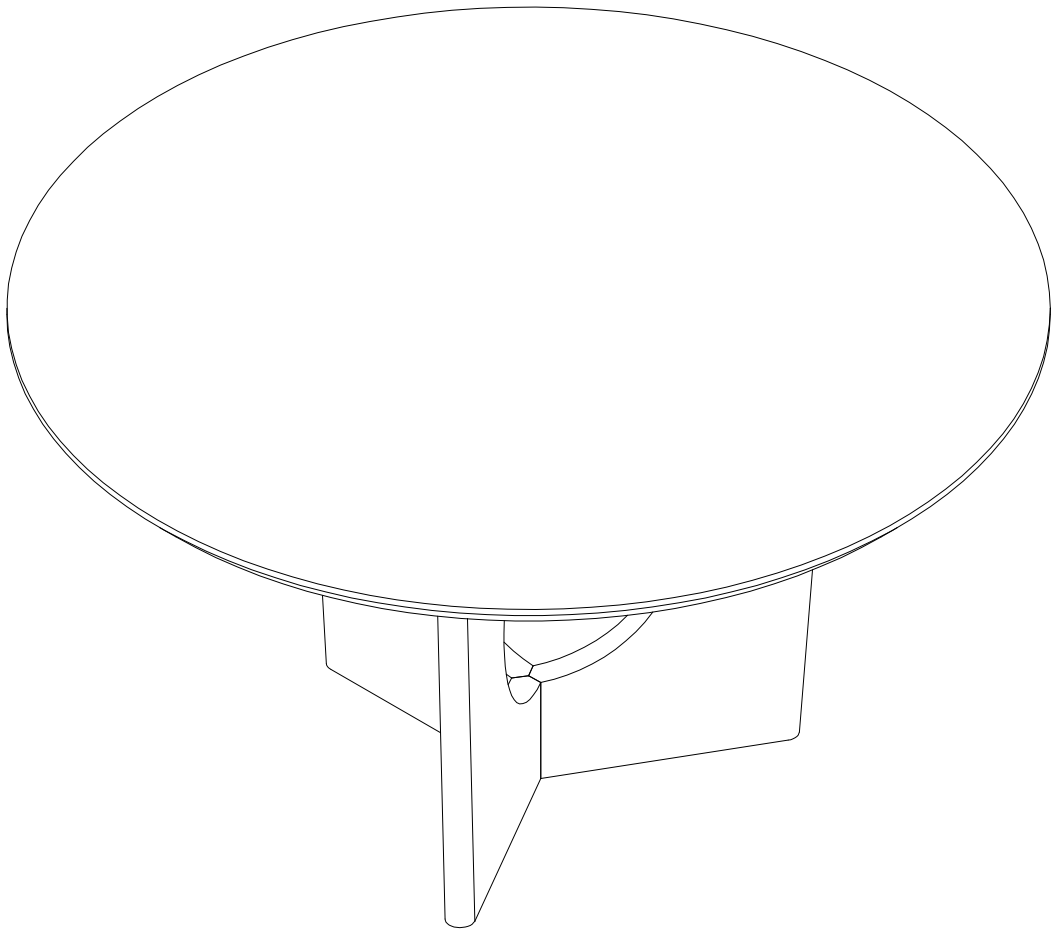
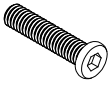
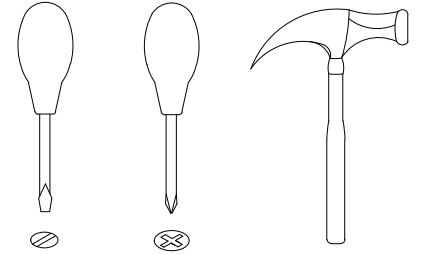
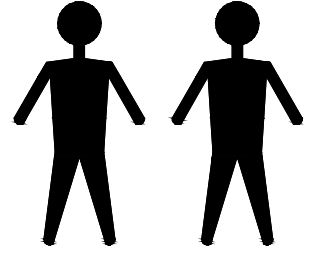


CP1908D6



EAC

CP1908D6



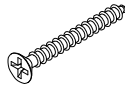
A x10
Spec: 5/16*L30



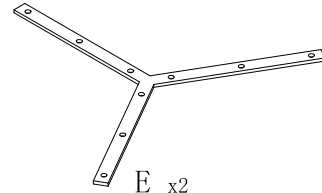
B x10
Spec: $\phi 8.2 * \phi 14$



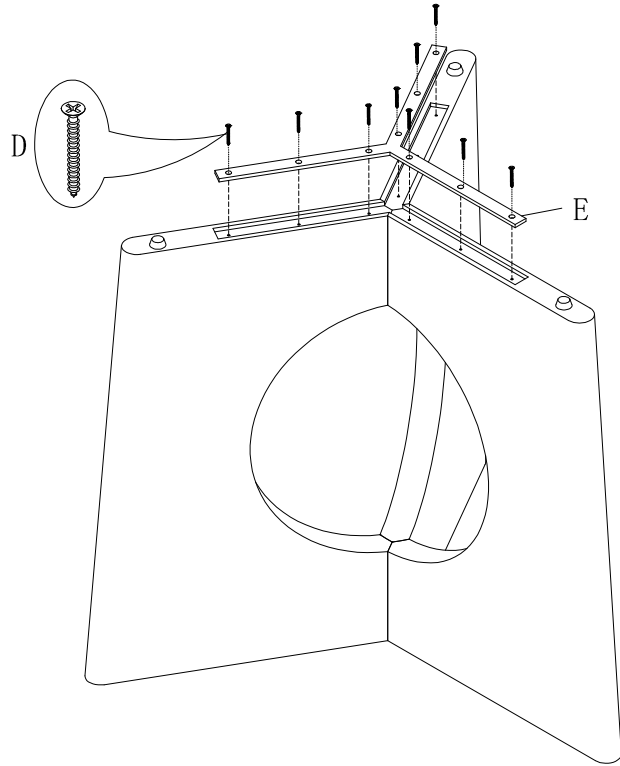
C x1
Spec: 5#



D x18
Spec: $\phi 3.8 * L25$

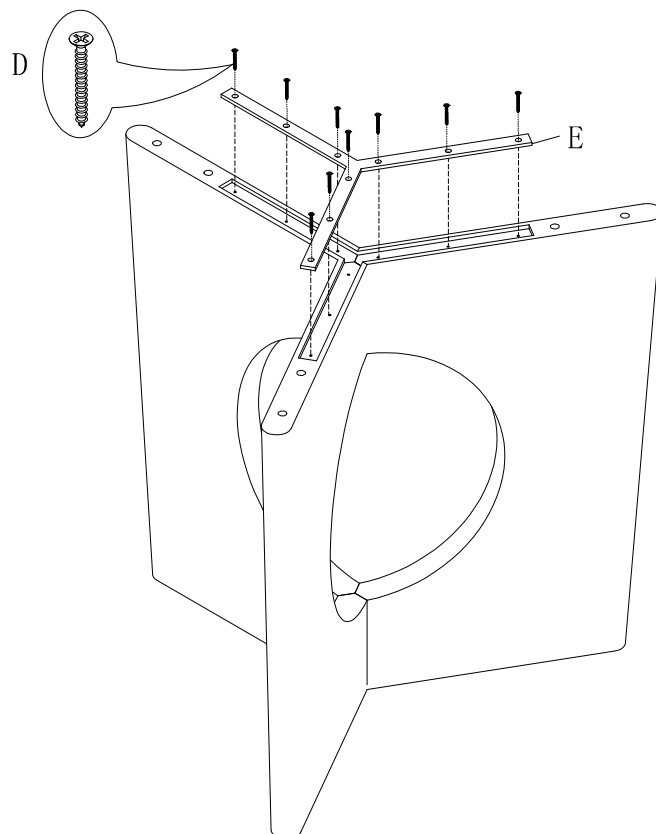


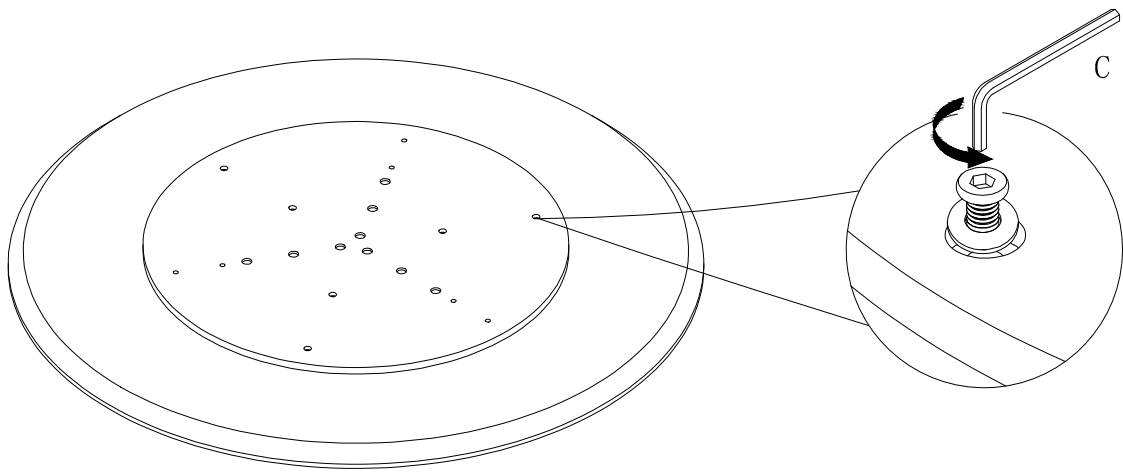
E x2
Spec: 426*369*5



1

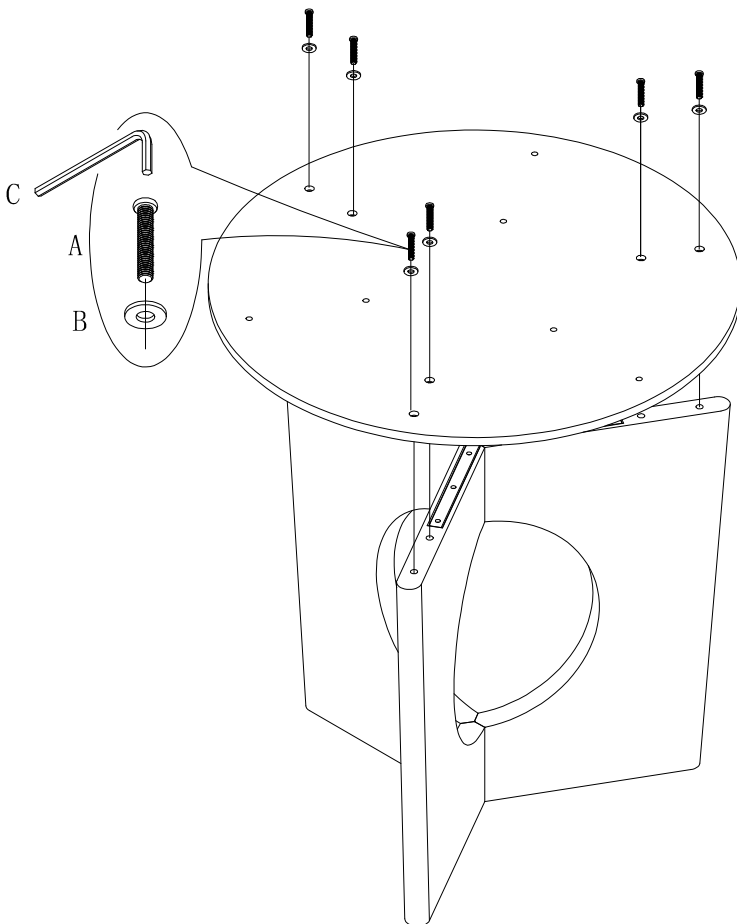
2

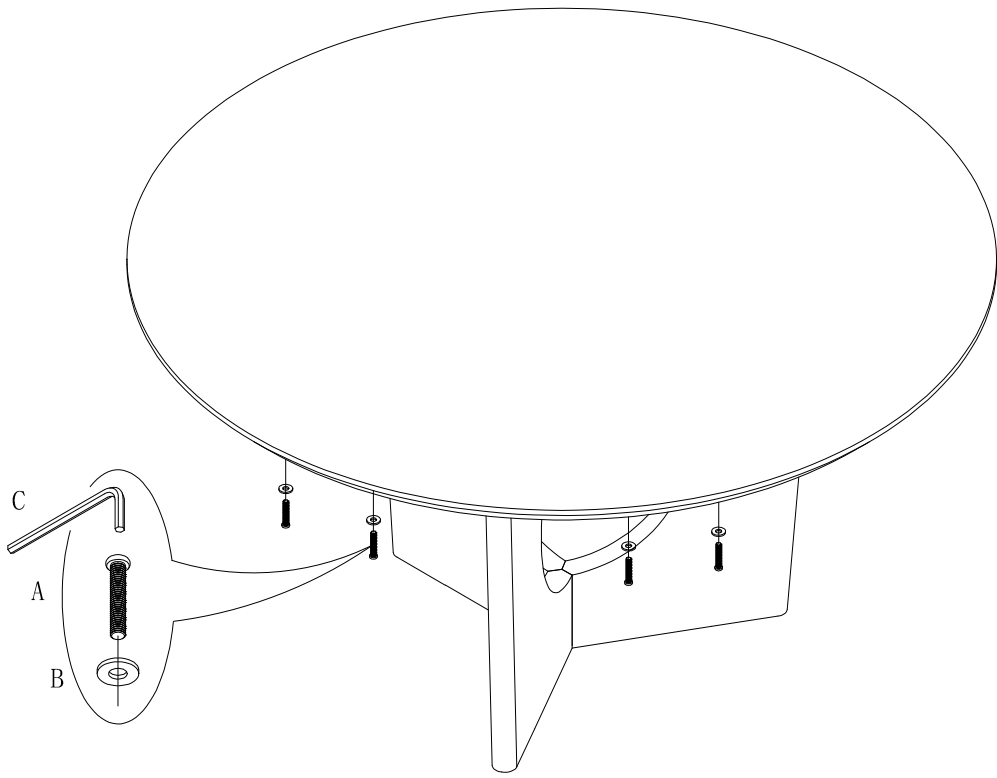




3

4





5

Adjustable Method

