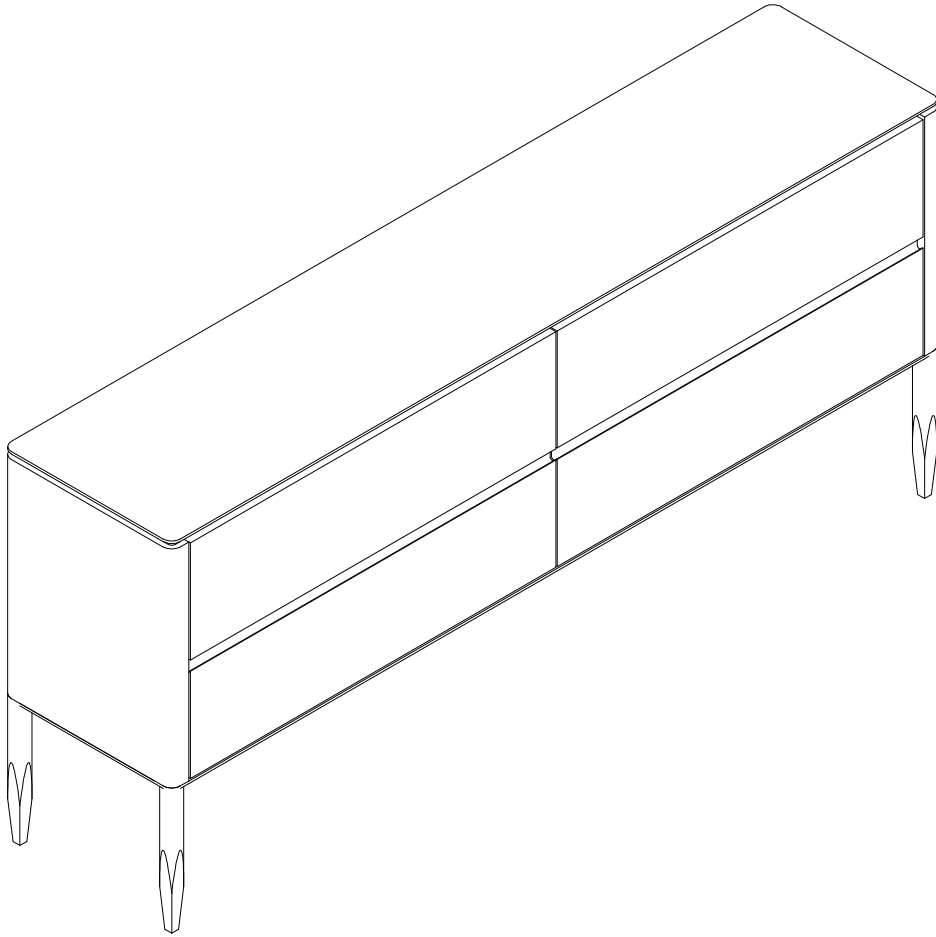


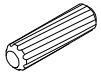
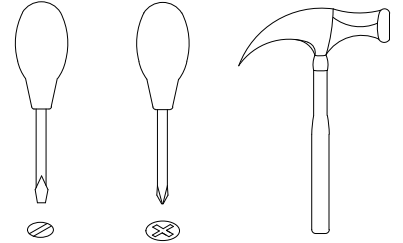
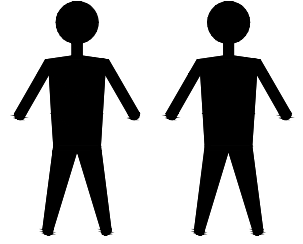
MOD
interiors

CP1908E3-45

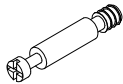


EAC

CP1908E3-45



A x16
Spec: $\varnothing 8 \times 30$



B x14
Spec: $\varnothing 7 \times L30$



C x16
Spec: $\varnothing 15 \times H12$



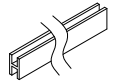
D x24
Spec: $\varnothing 6 \times L28$



E x24
Spec: $\varnothing 12 \times H9$



F x24
Spec: $\varnothing 6 \times L8$



G x2
Spec: L851



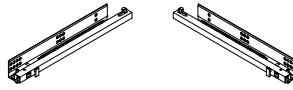
H x16
Spec: $\varnothing 3.5 \times L35$



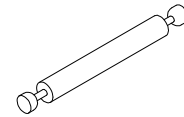
I x48
Spec: $\varnothing 6 \times 30$



J x8
Spec:



K x4
Spec: L400



L x1
Spec: $\varnothing 7 \times L66$



M x32
Spec:



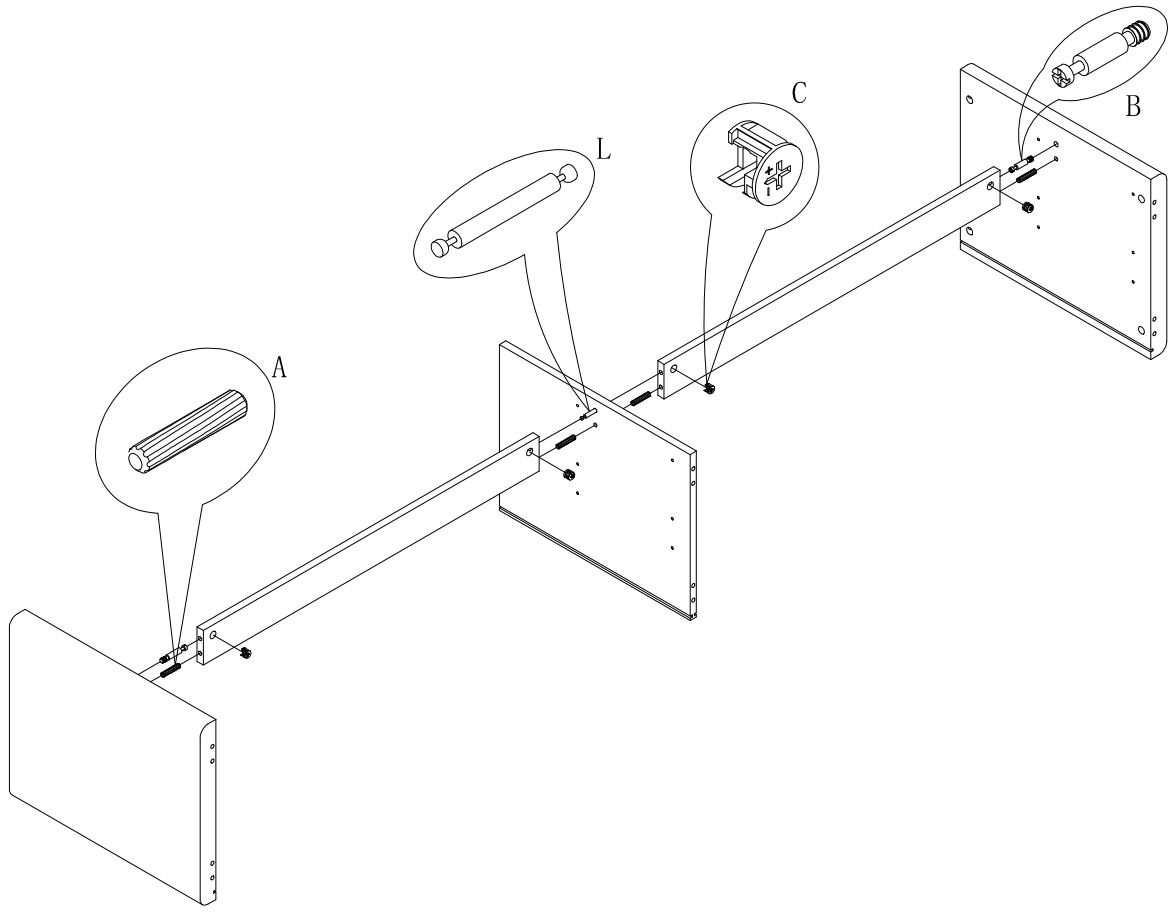
N x16
Spec: $\varnothing 3.5 \times L16$



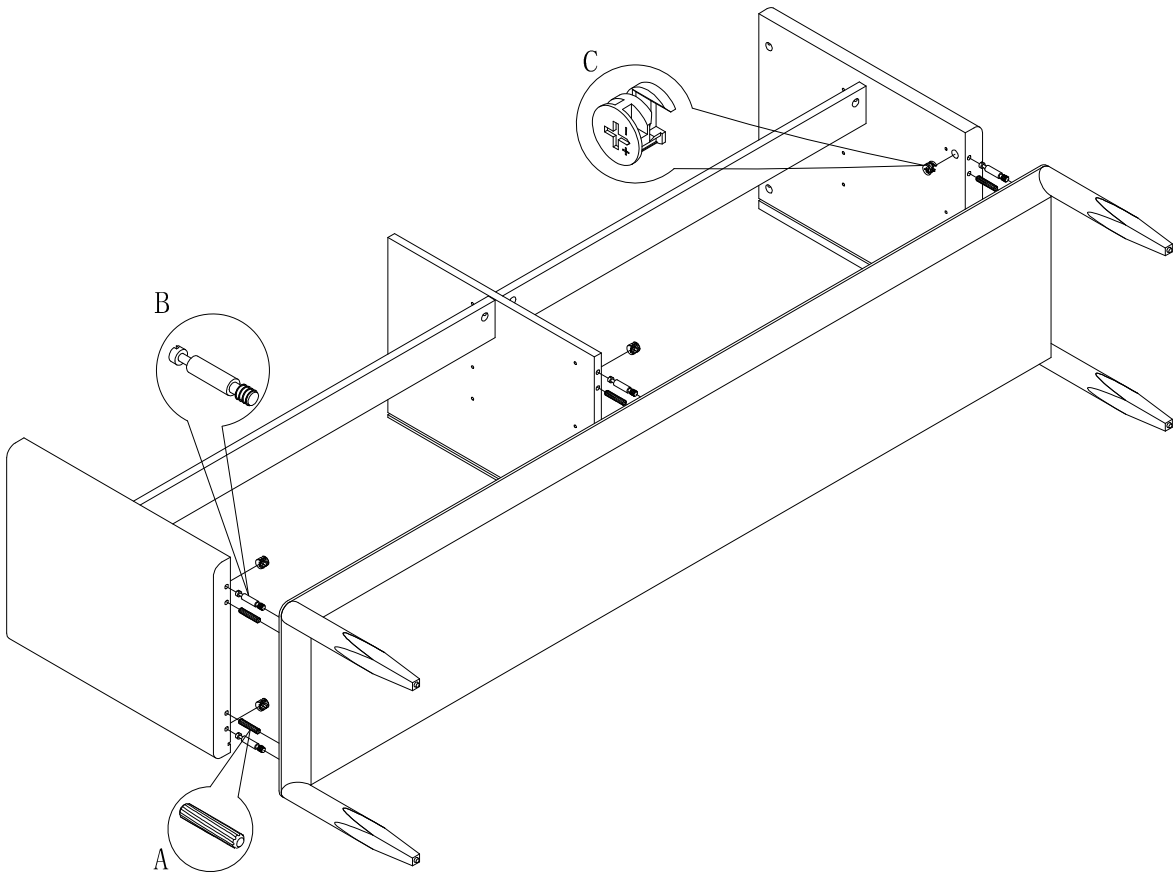
O x16
Spec: H13



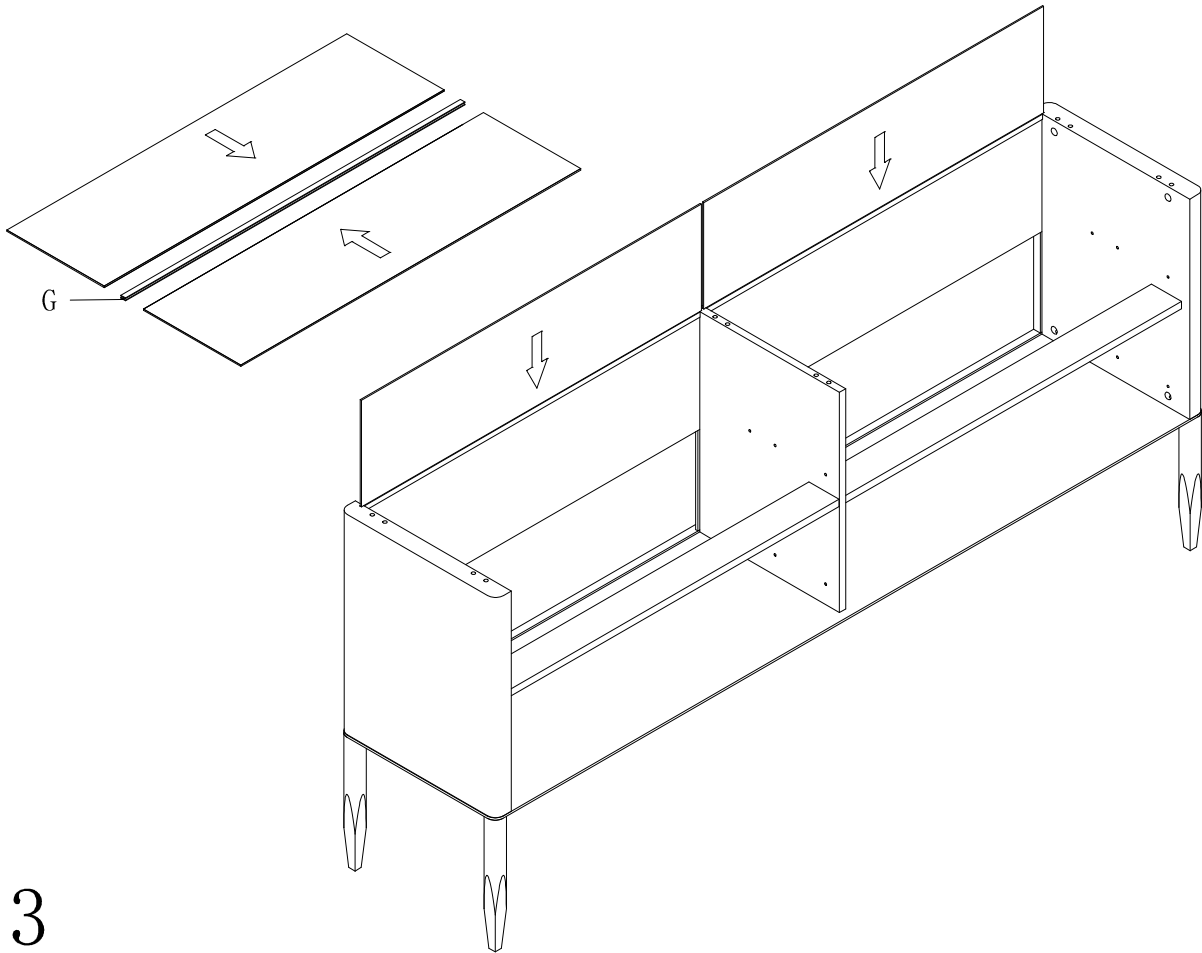
AAA x16
Spec: $\varnothing 3.8 \times L12$



1

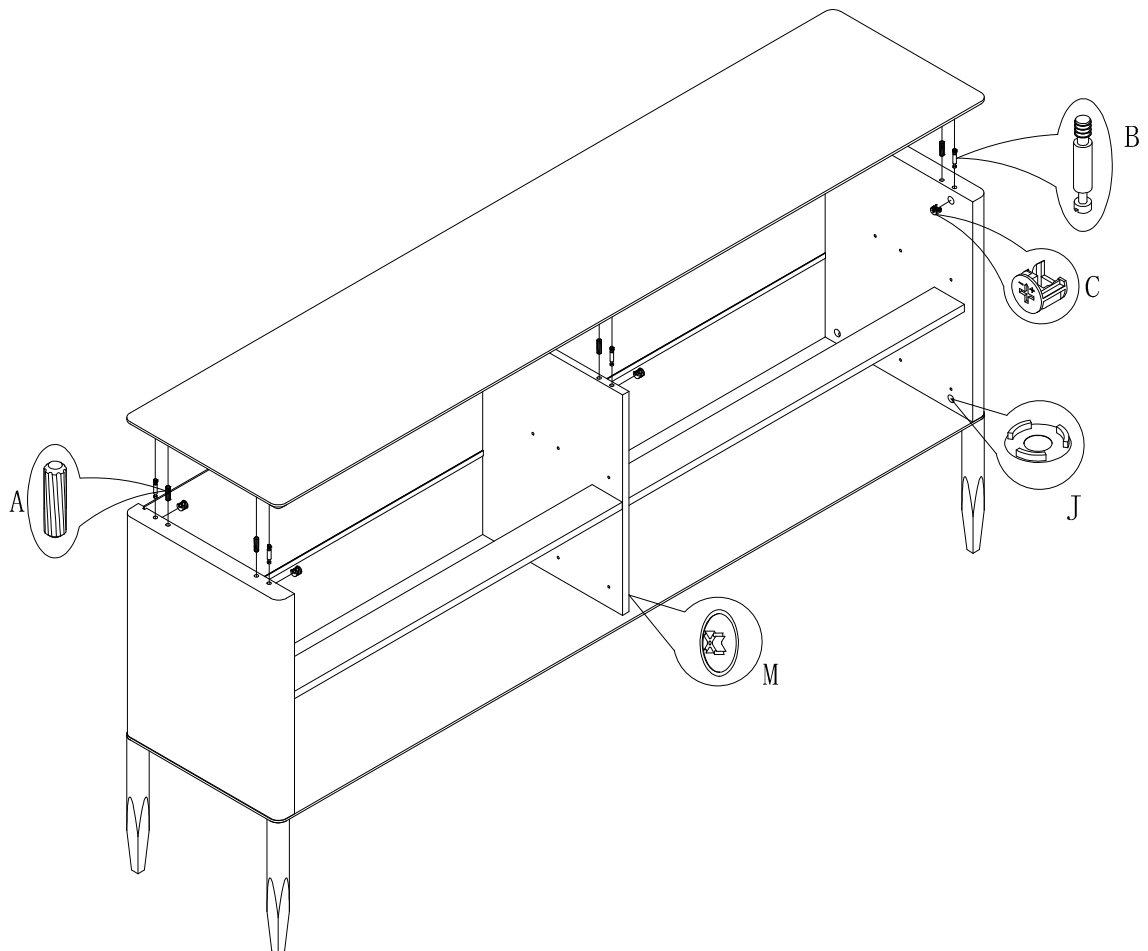


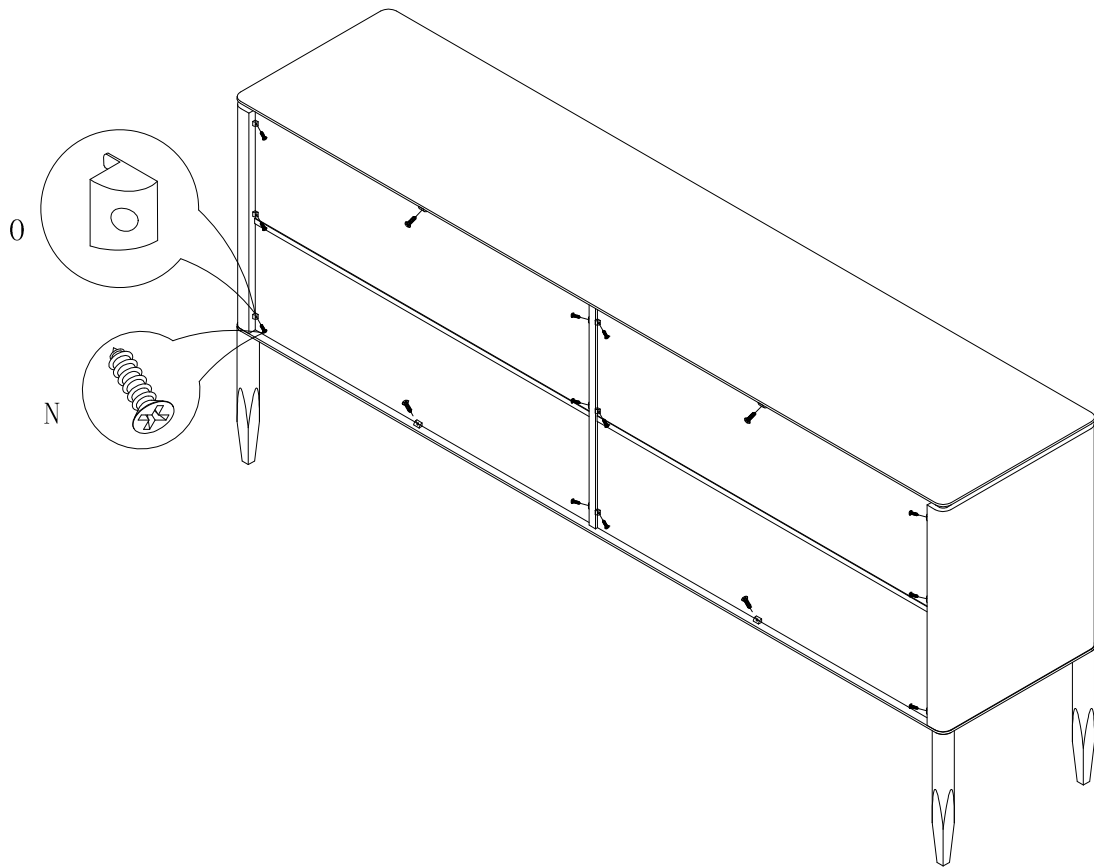
2



3

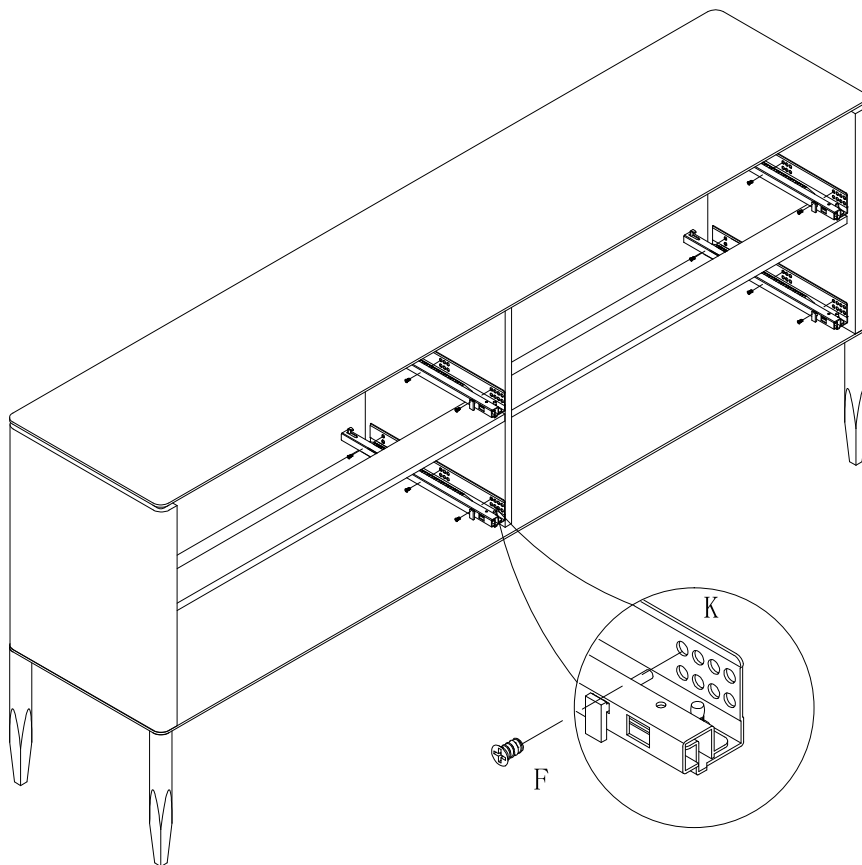
4

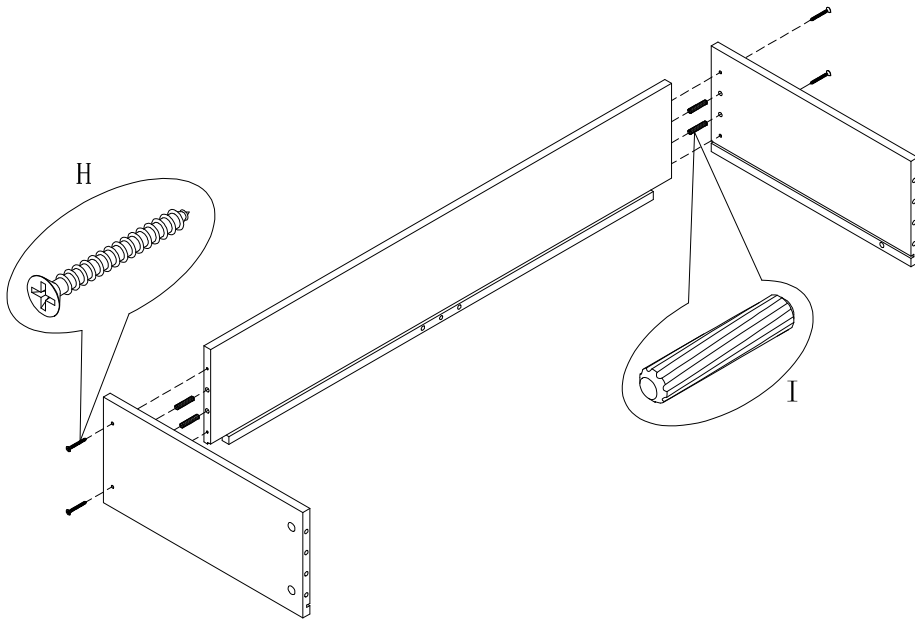




5

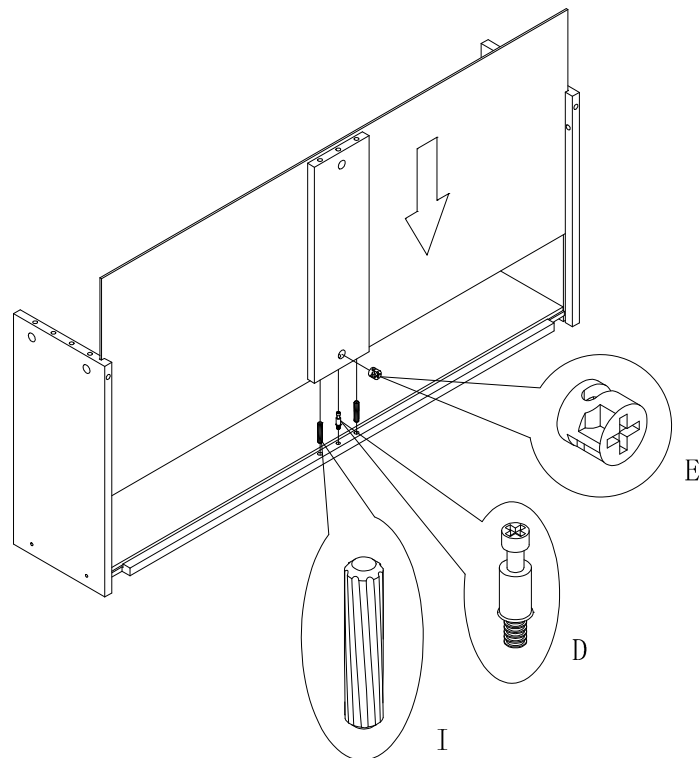
6

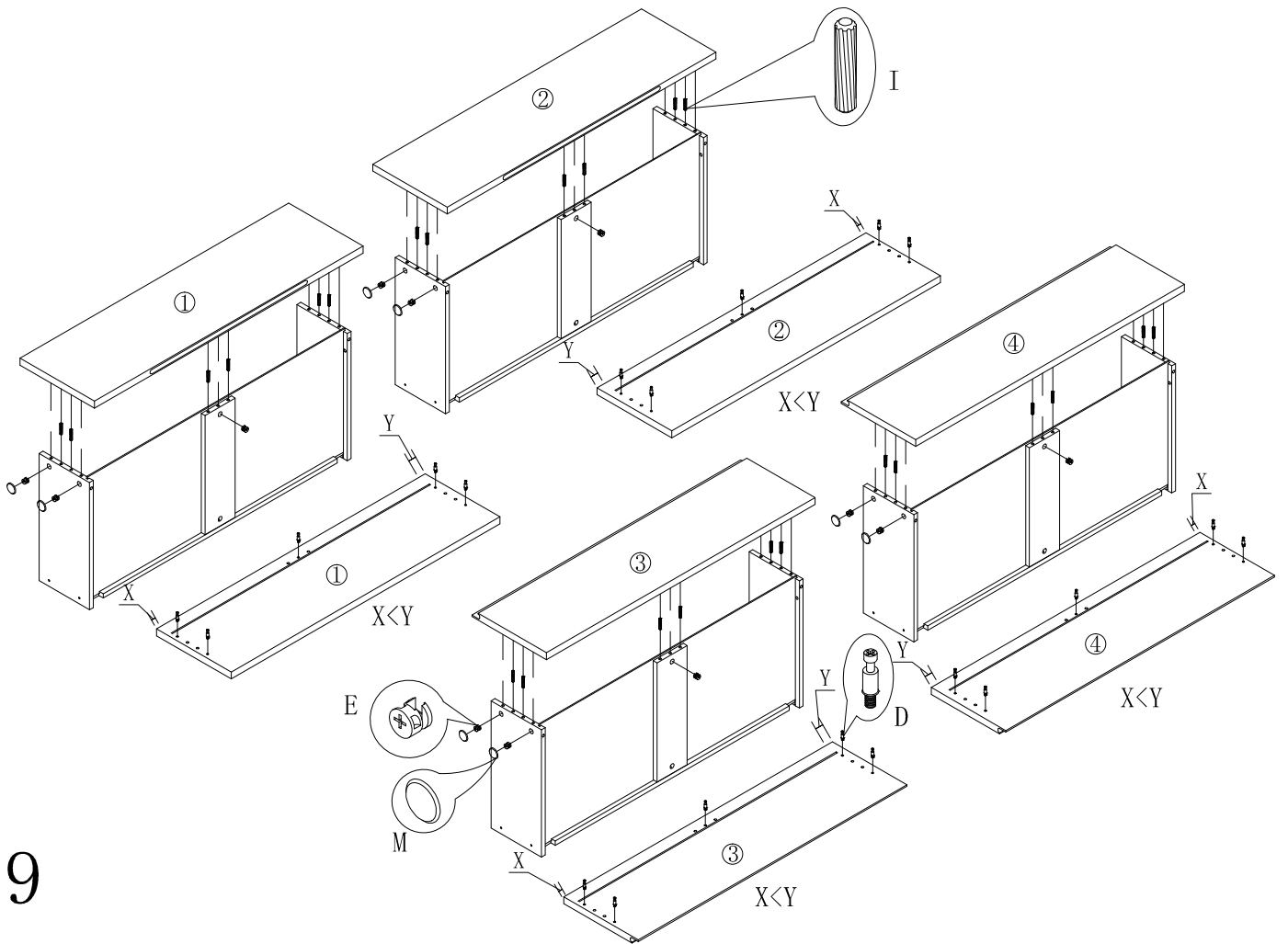




7

8





9

10

