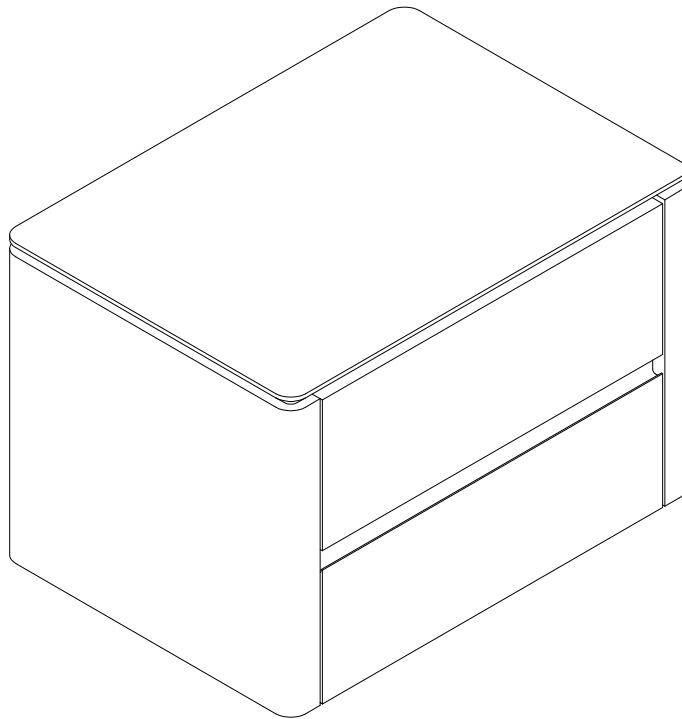


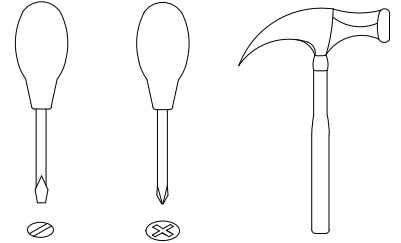
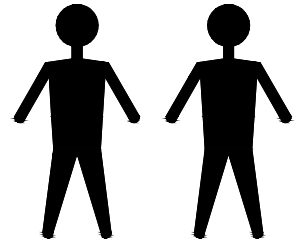
MOD  
interiors

# CP1908H1

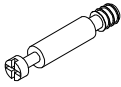


**EAC**

# # CP1908H1



A x10  
Spec:  $\phi 8 \times 30$



B x10  
Spec:  $\phi 7 \times L30$



C x10  
Spec:  $\phi 15 \times H12$



D x8  
Spec:  $\phi 6 \times L28$



E x8  
Spec:  $\phi 12 \times H9$



F x12  
Spec:  $\phi 6 \times L8$



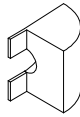
G x4  
Spec:  $\phi 3.8 \times L32$



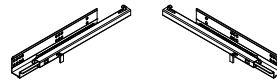
H x8  
Spec:  $\phi 3.5 \times L35$



I x8  
Spec:  $\phi 3.5 \times L16$



J x8  
Spec: H13



L x2  
Spec: L350



M x4  
Spec:  $\phi 60 \times 25$



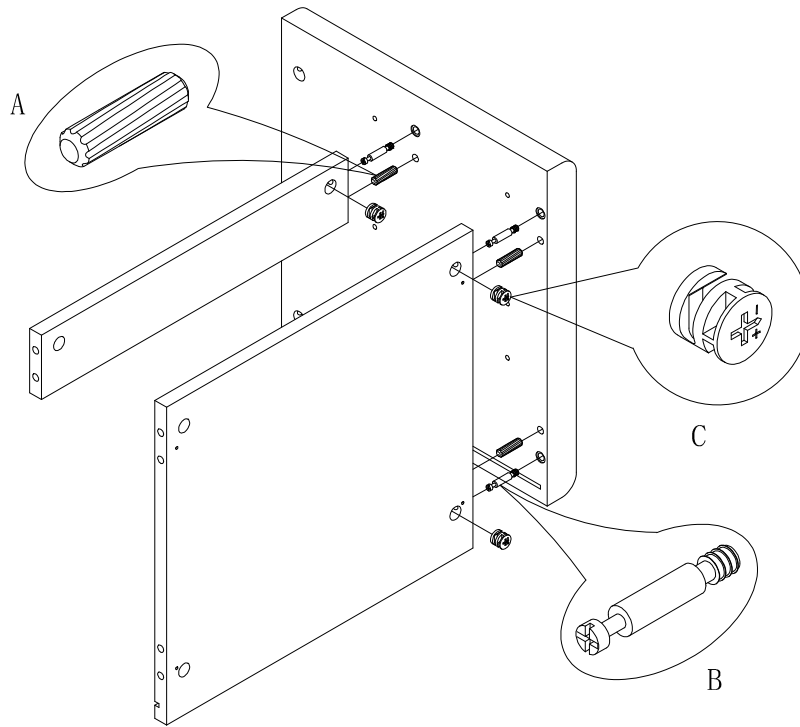
N x14  
Spec:



O x4  
Spec:

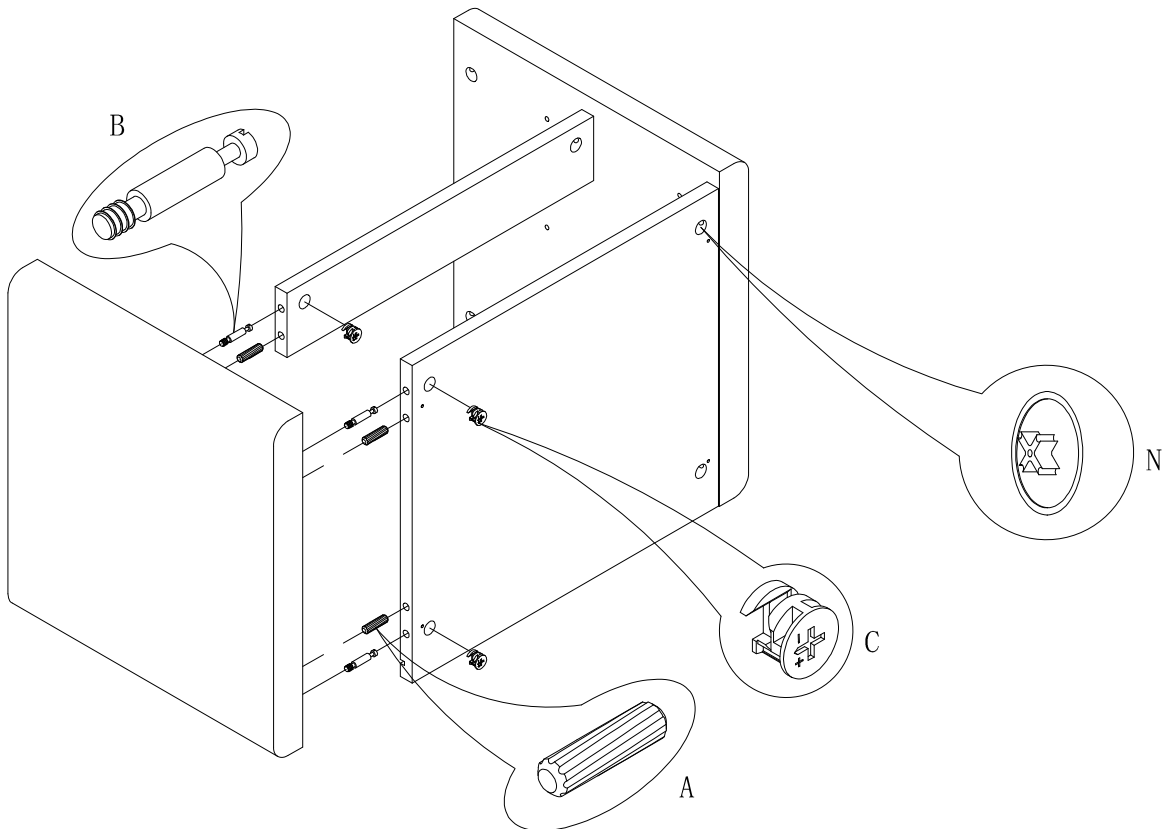


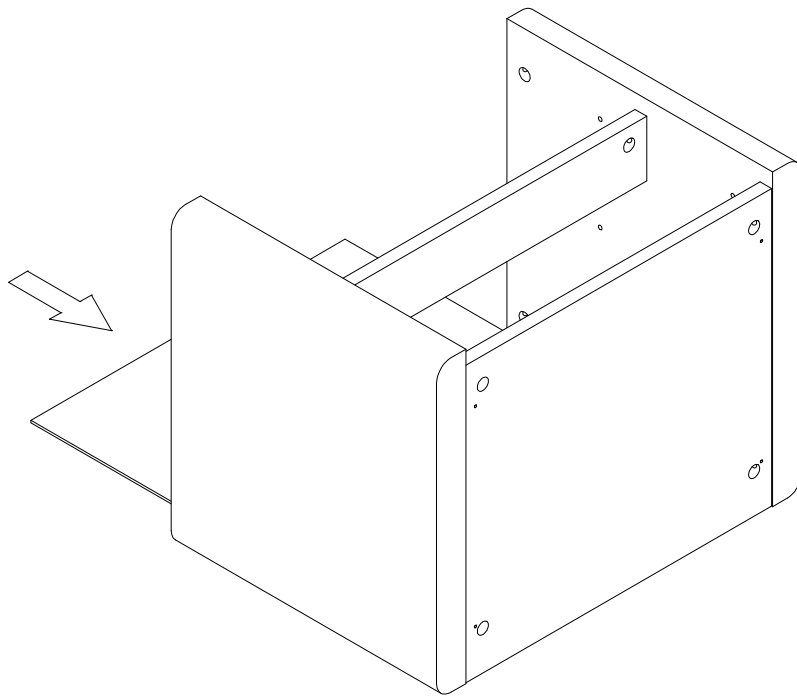
AAA x8  
Spec:  $\phi 3.8 \times L12$



1

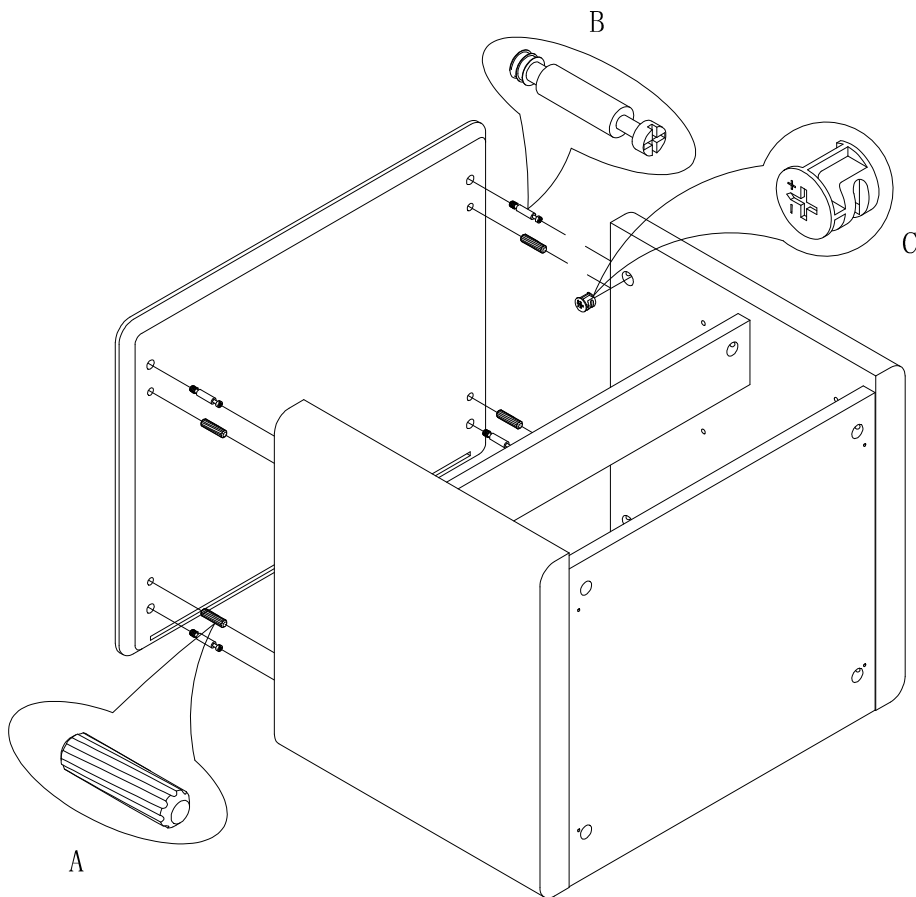
2



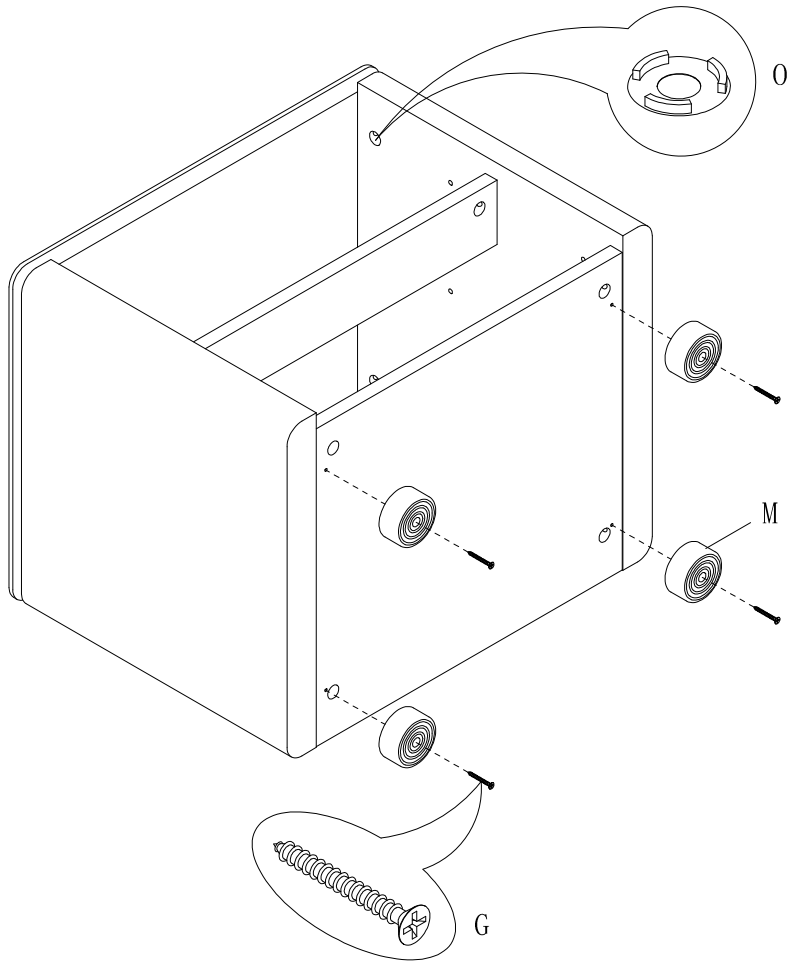


3

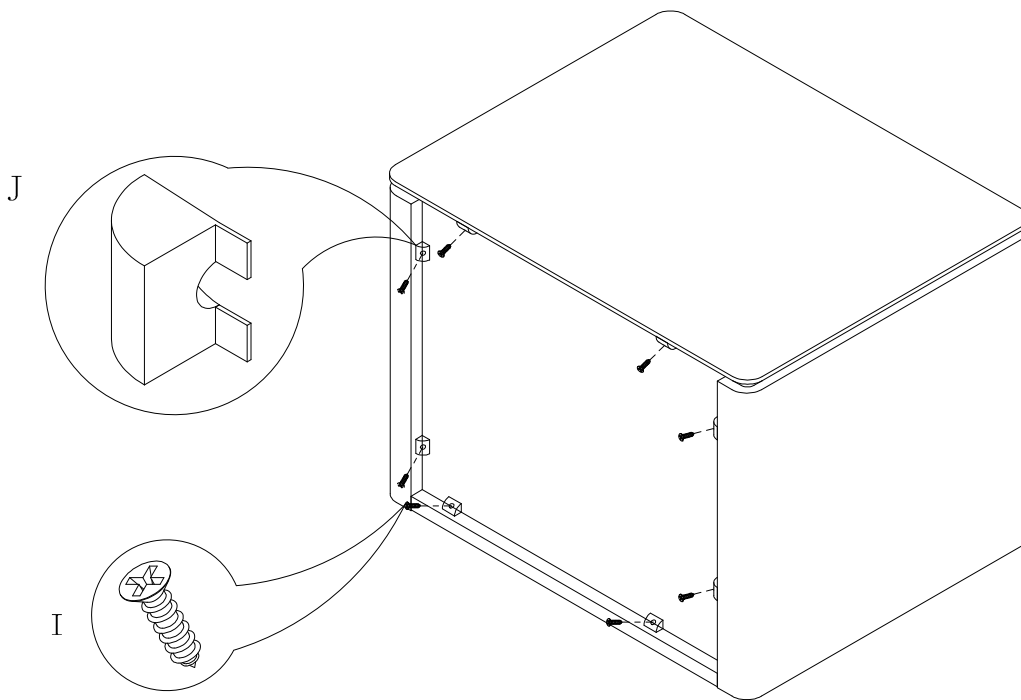
4

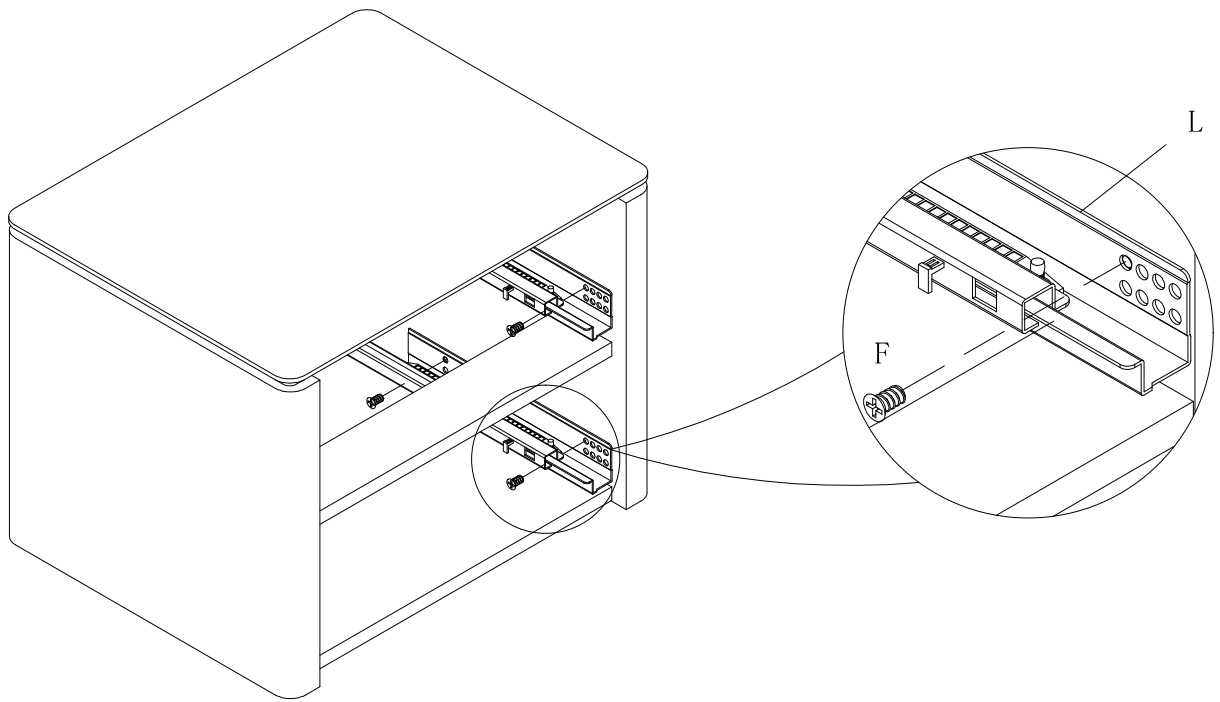


5



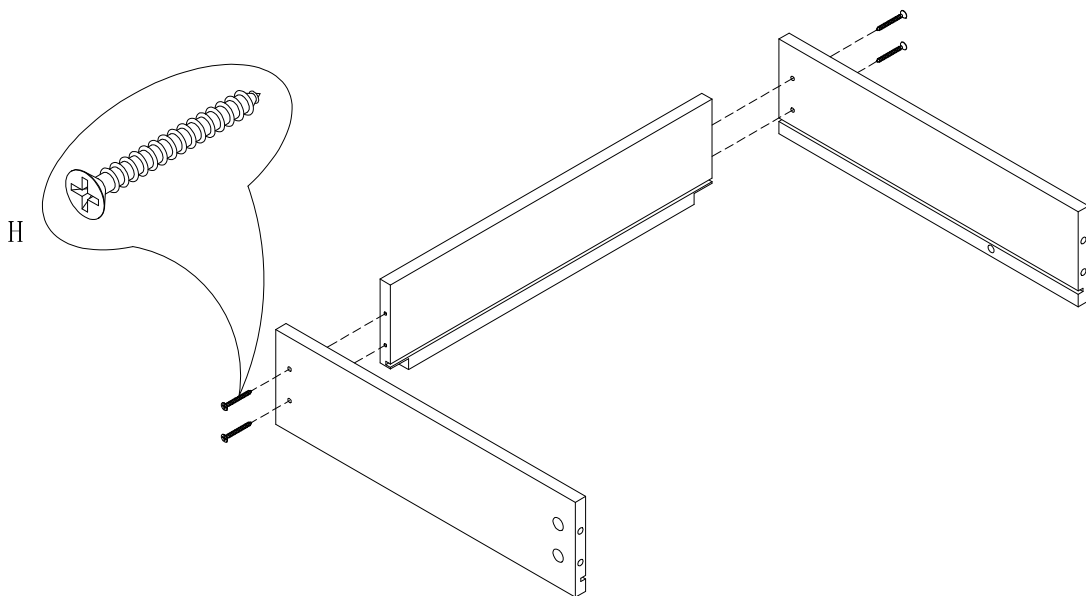
6

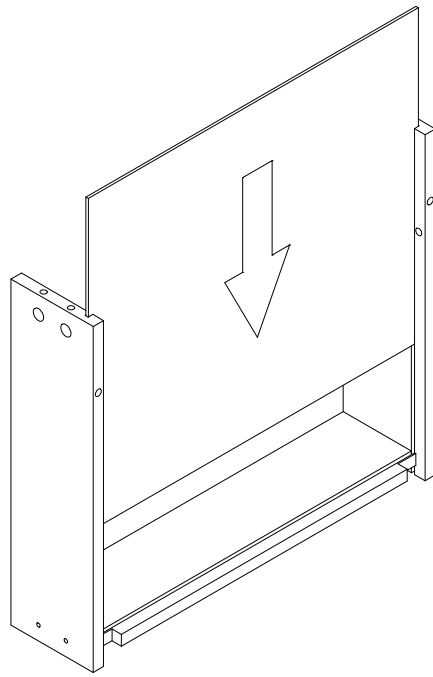




7

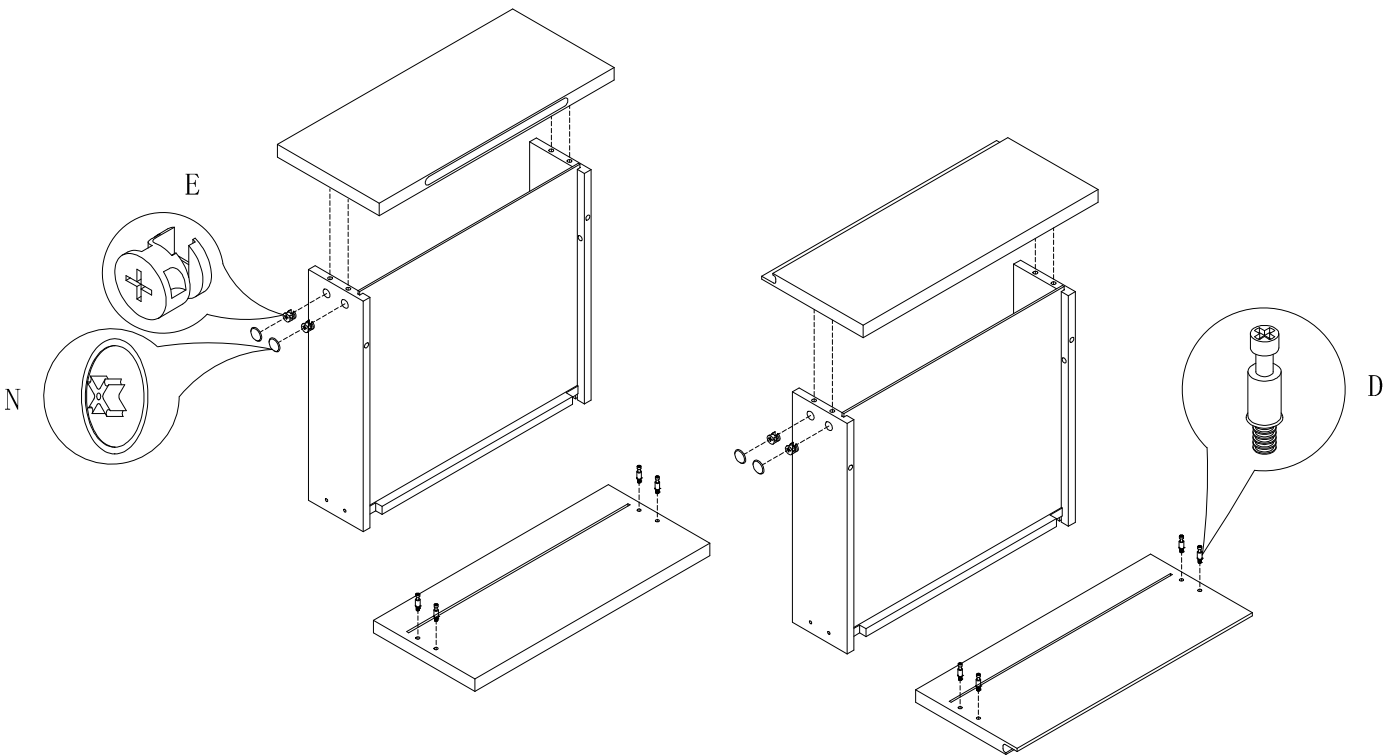
8

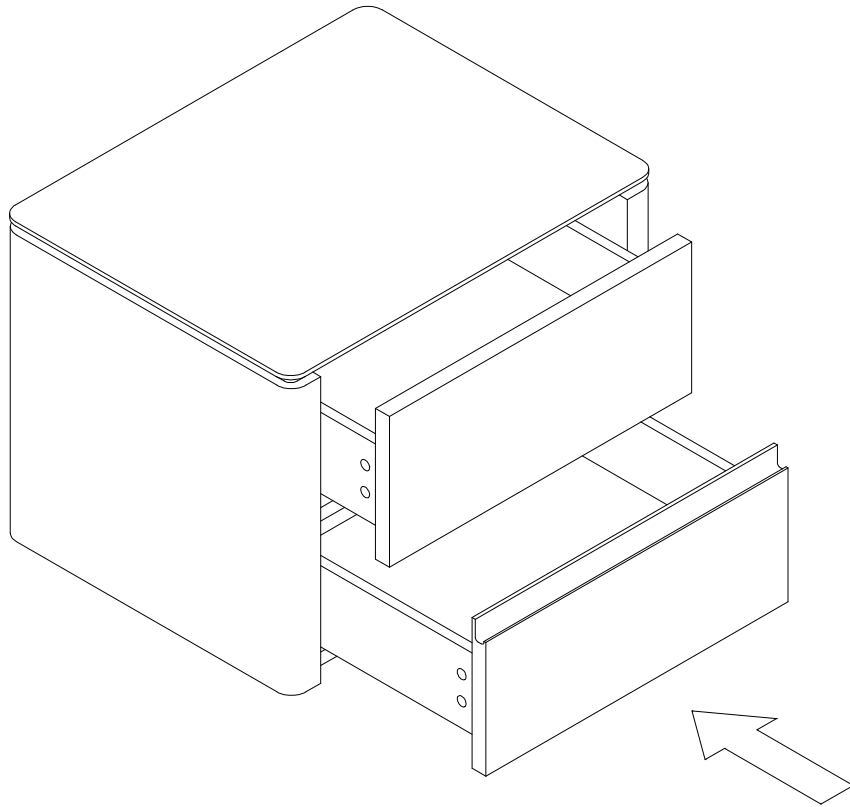




9

10





11

---