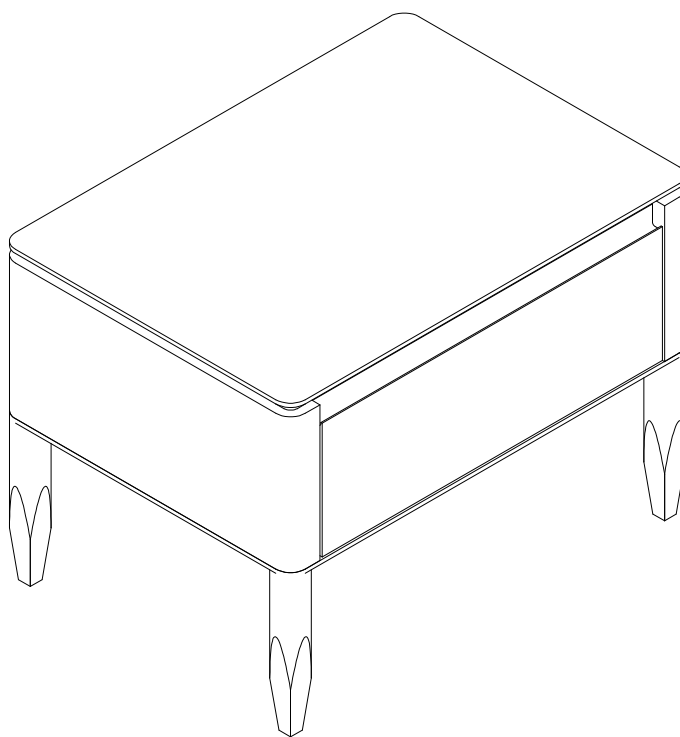


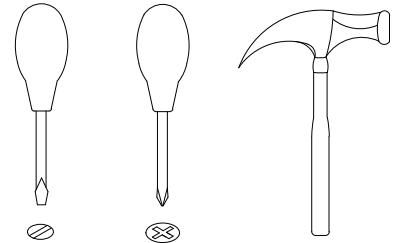
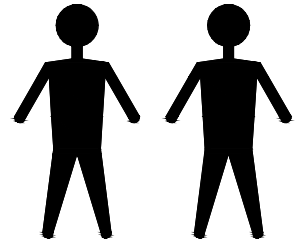
MOD
interiors

CP1908H4

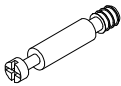


EAC

CP1908H4



A x8
Spec: $\varnothing 8 \times 30$



B x8
Spec: $\varnothing 7 \times L30$



C x8
Spec: $\varnothing 15 \times H12$



D x4
Spec: $\varnothing 6 \times L28$



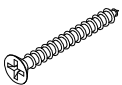
E x4
Spec: $\varnothing 12 \times H9$



F x6
Spec: $\varnothing 6 \times L8$



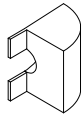
G x4
Spec: $\varnothing 6 \times 30$



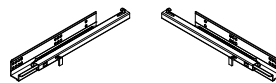
H x4
Spec: $\varnothing 3.5 \times L35$



I x6
Spec: $\varnothing 3.5 \times L16$



J x6
Spec: H13



L x1
Spec: L350



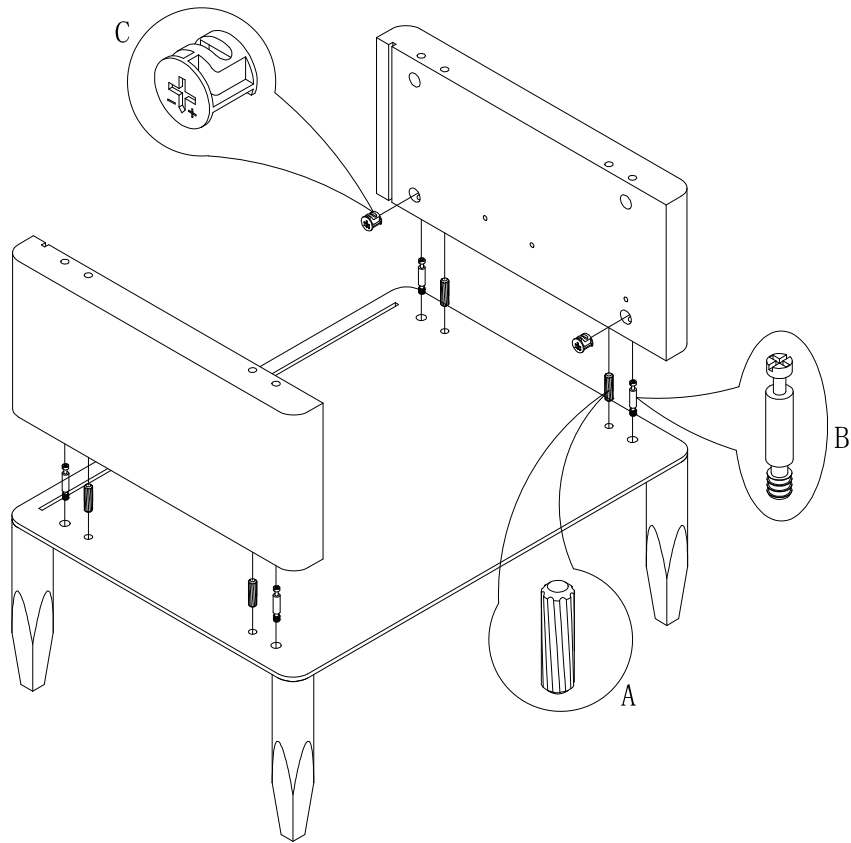
M x8
Spec:



N x4
Spec:

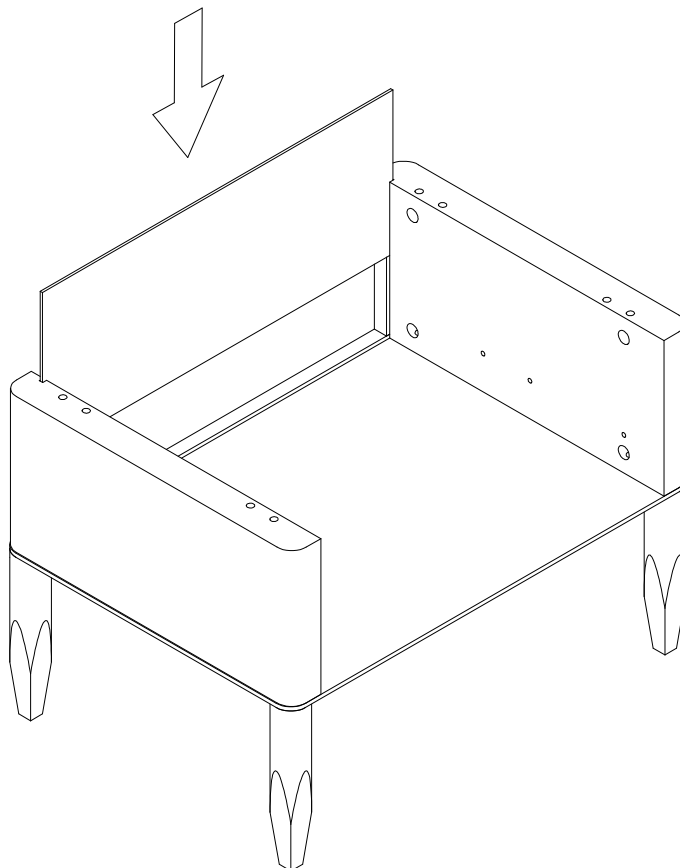


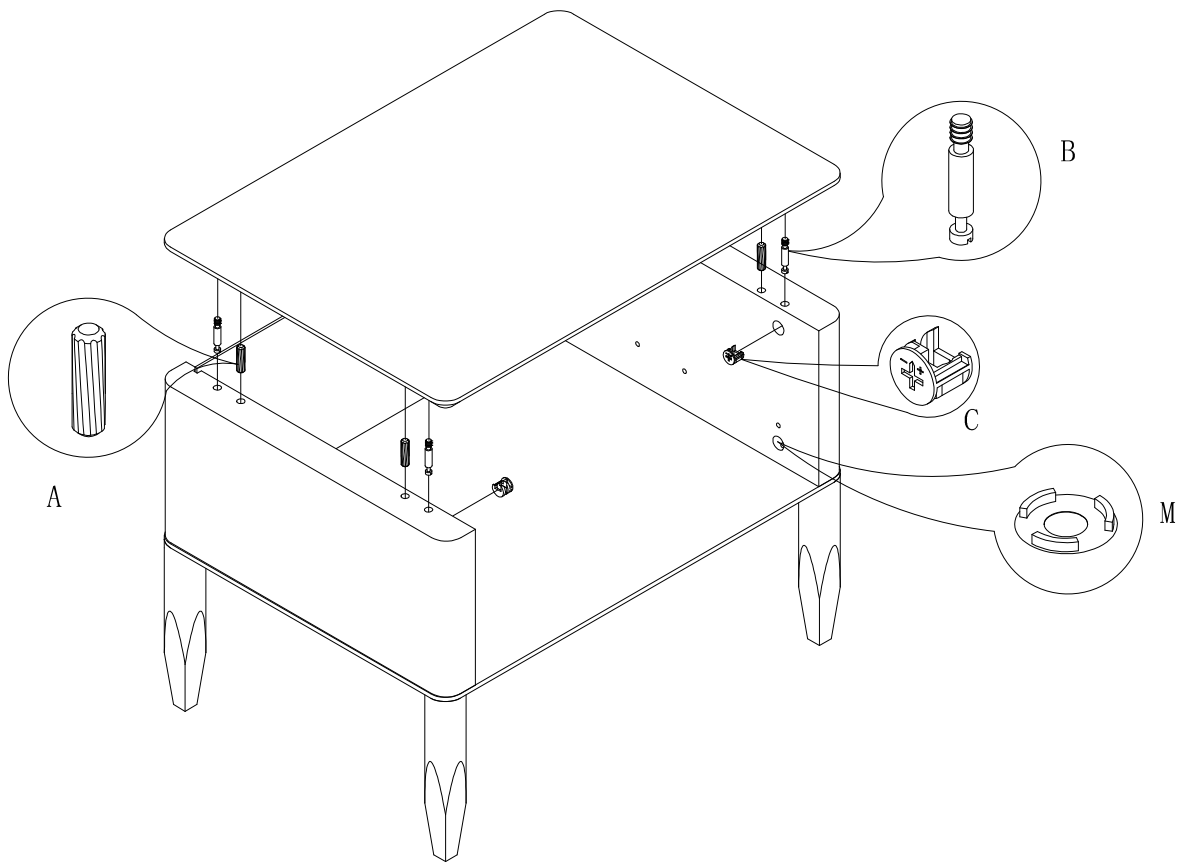
AAA x4
Spec: $\varnothing 3.8 \times L12$



1

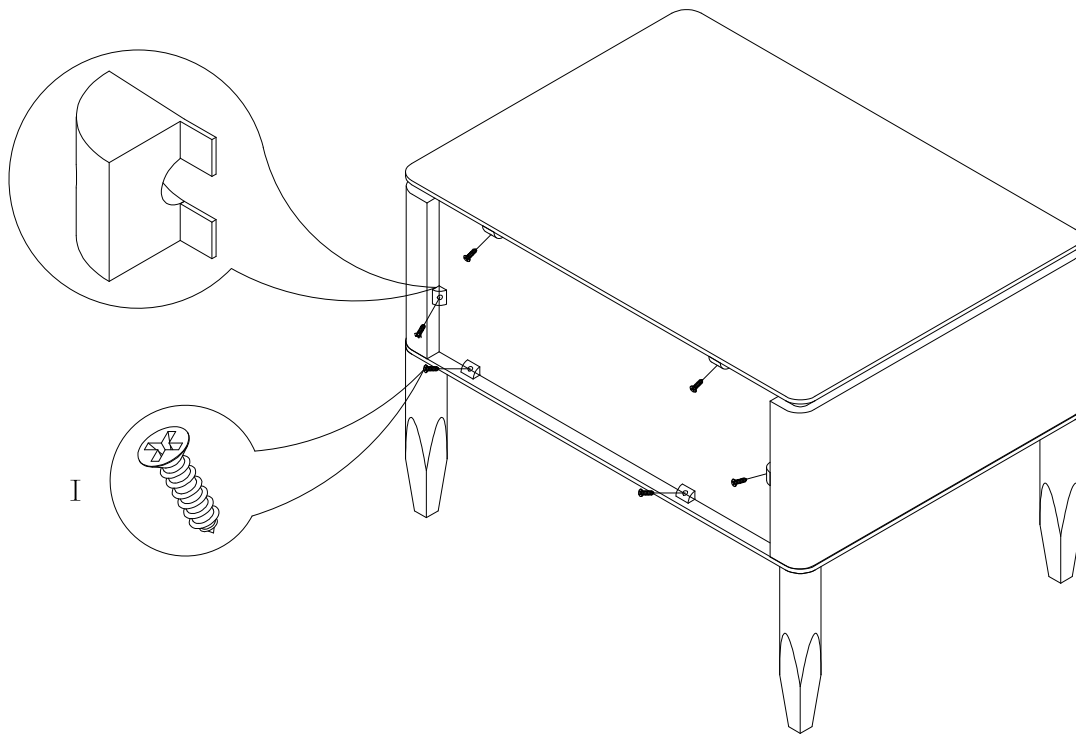
2

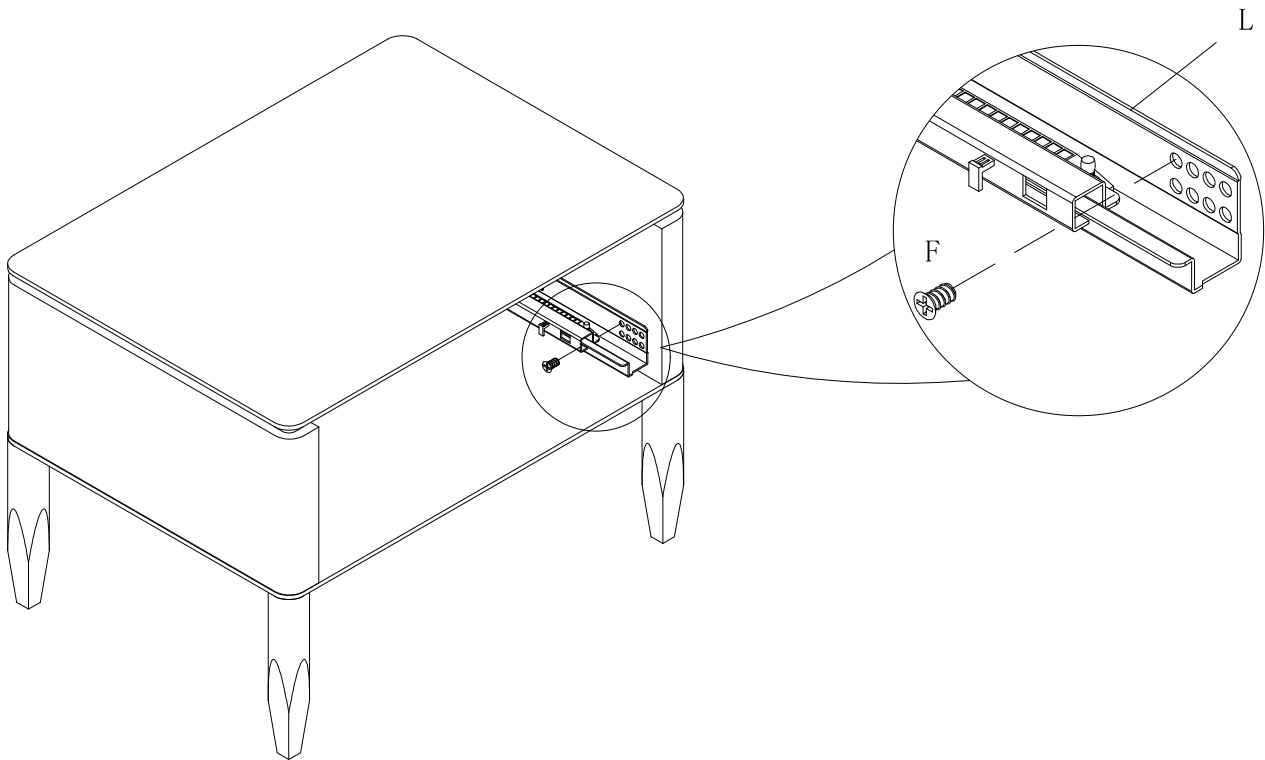




3

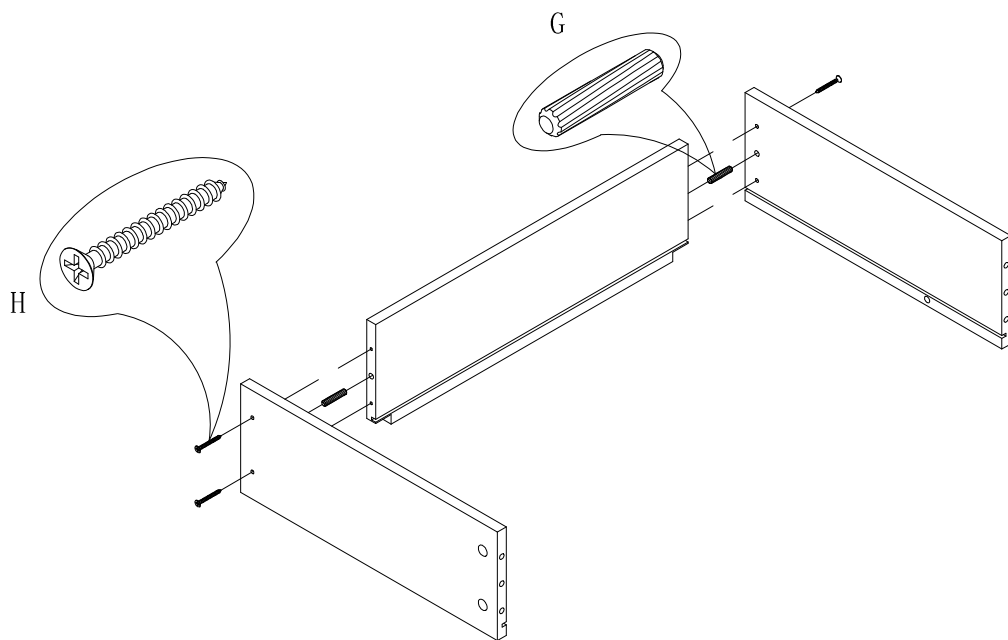
4

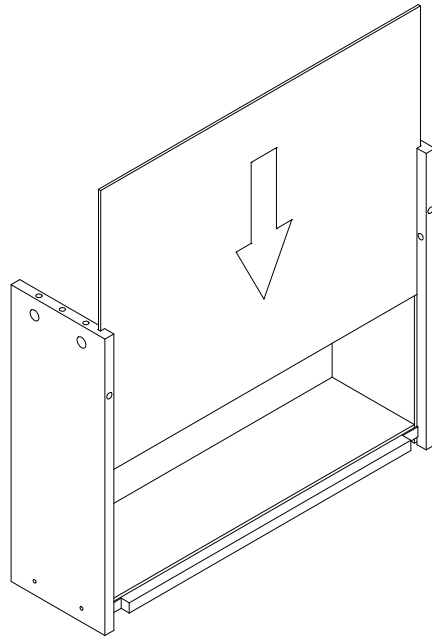




5

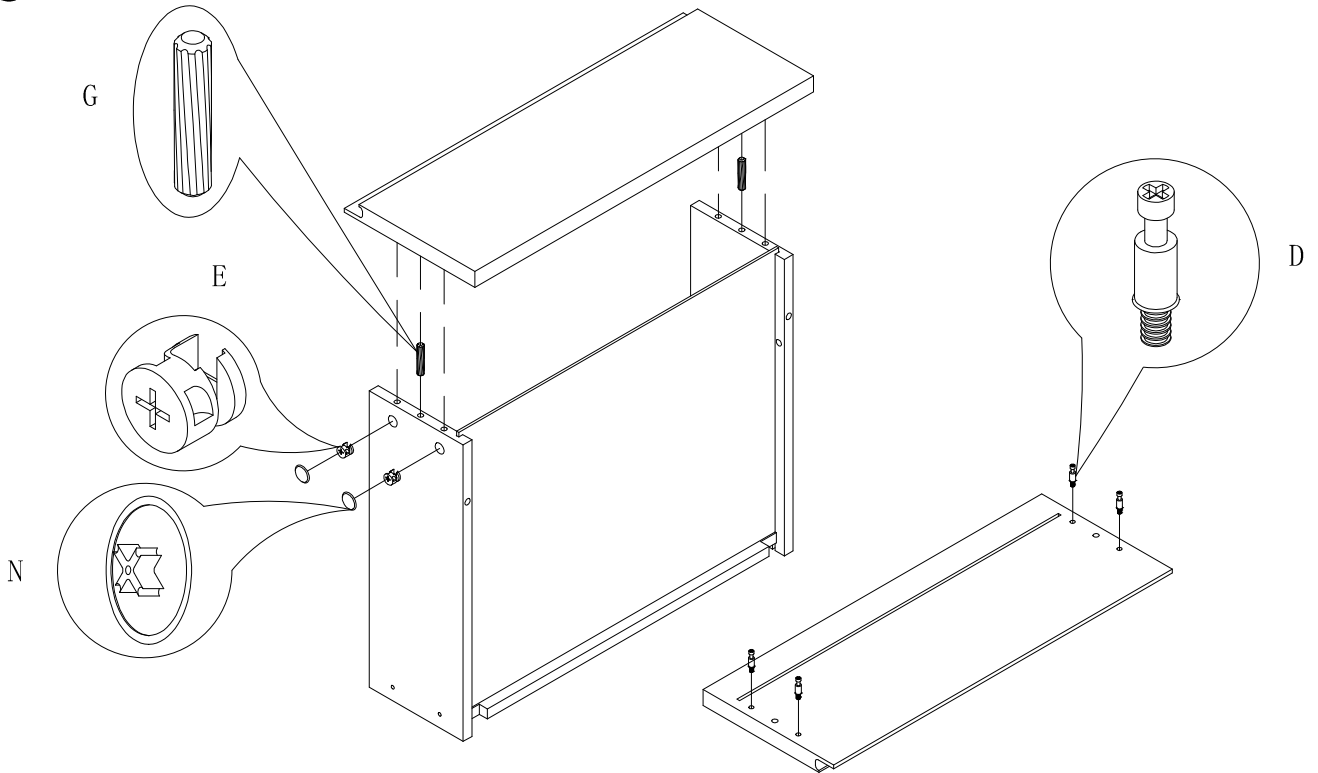
6

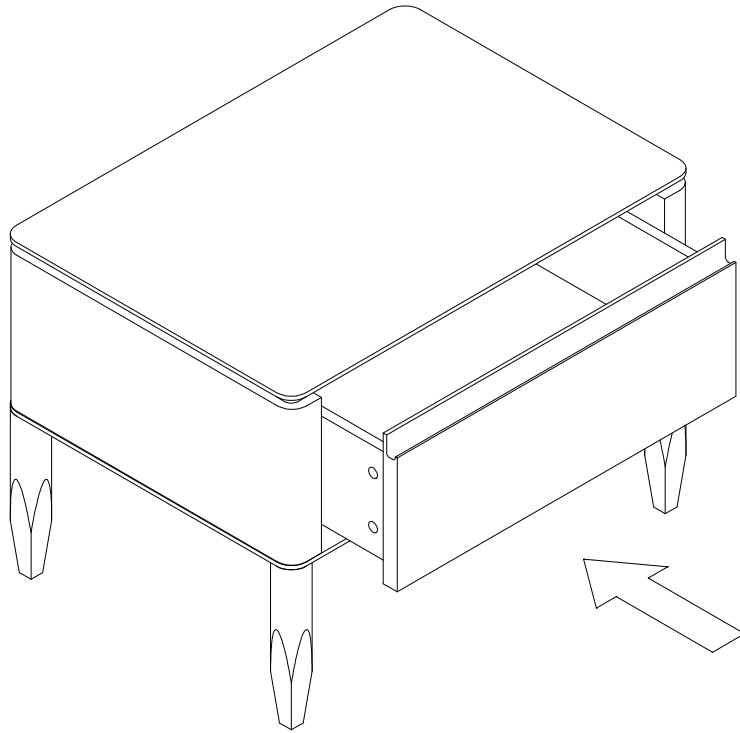




7

8





9
