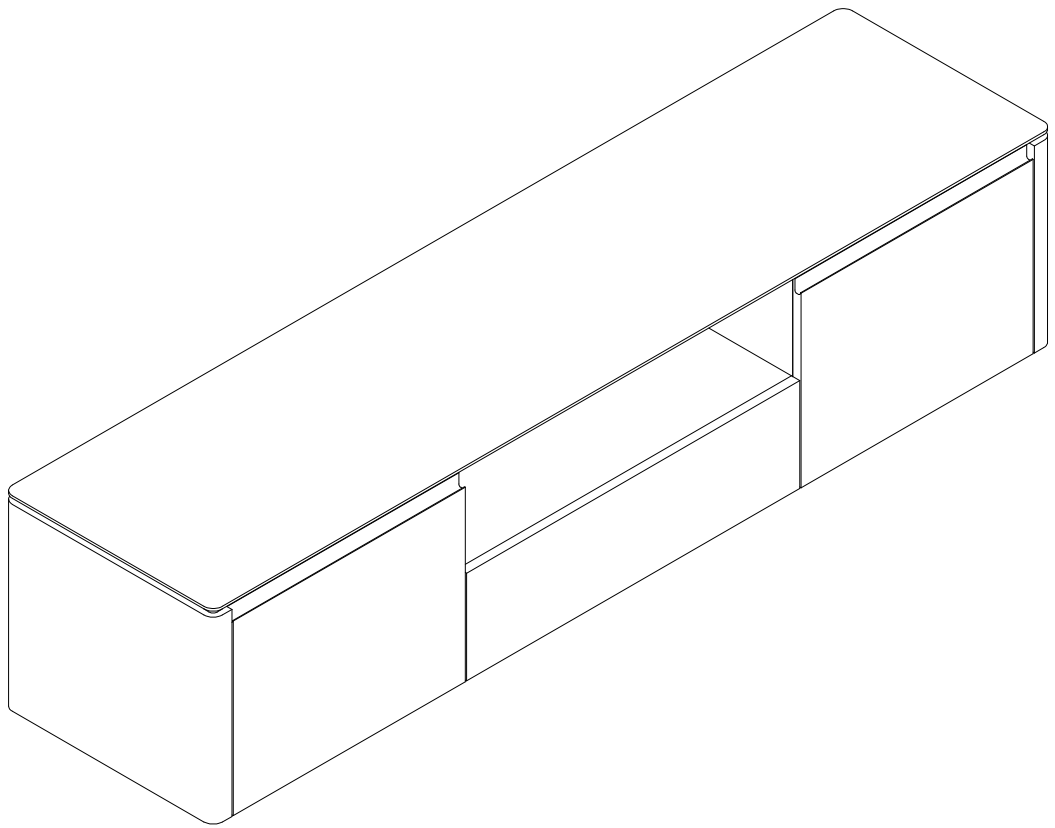
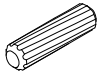
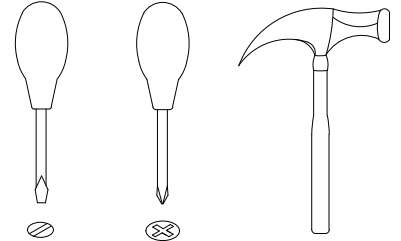
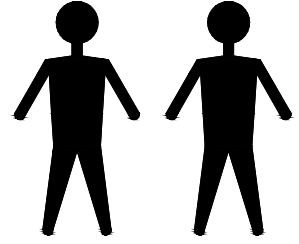




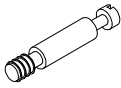
# CP1908TV-18045



# # CP1908TV-18045



A x20  
Spec:  $\varnothing 8 \times 30$



B x20  
Spec:  $\varnothing 7 \times L30$



C x20  
Spec:  $\varnothing 15 \times H12$



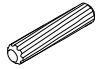
D x6  
Spec:  $\varnothing 6 \times L8$



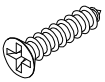
E x6  
Spec:  $\varnothing 6 \times L28$



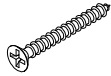
F x6  
Spec:  $\varnothing 12 \times H9$



H x4  
Spec:  $\varnothing 6 \times 30$



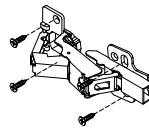
I x6  
Spec:  $\varnothing 3.8 \times L25$



J x6  
Spec:  $\varnothing 3.8 \times L32$



K x6  
Spec:  $\varnothing 60 \times 25$



L x4  
Spec: 088#



M x16  
Spec:  $3.8 \times L16$



N x4  
Spec:



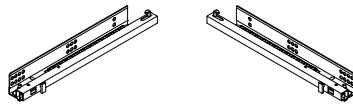
O x18  
Spec:



P x8  
Spec:  $\varnothing 5 \times L19$



Q x4  
Spec:  $\varnothing 3.5 \times L35$



R x1  
Spec: L400



S x16  
Spec: H13



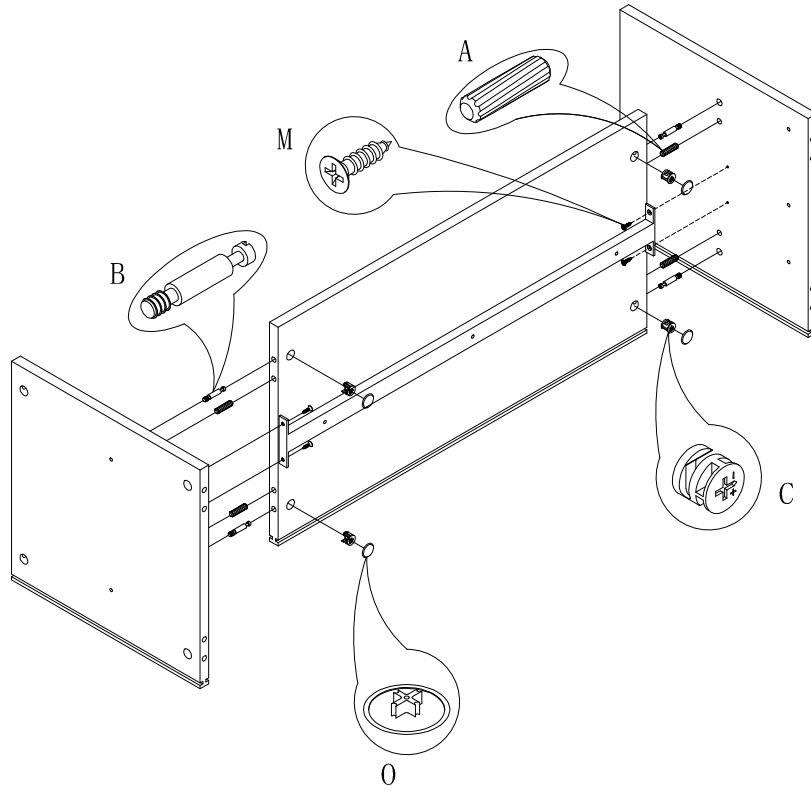
T x16  
Spec:  $\varnothing 3.5 \times L16$



U x8  
Spec:  $\varnothing 20 \times H12$

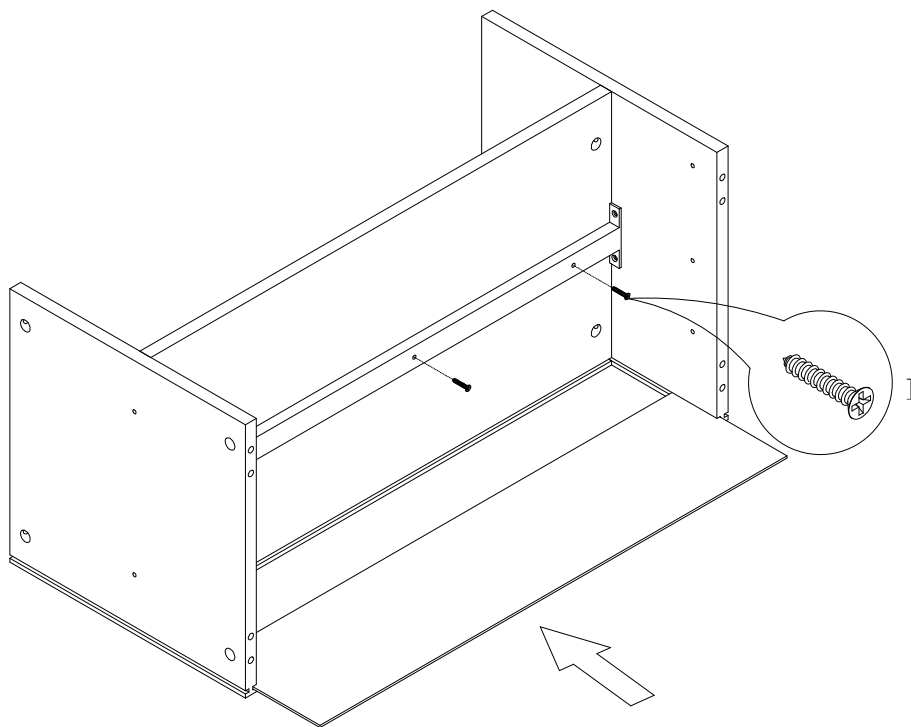


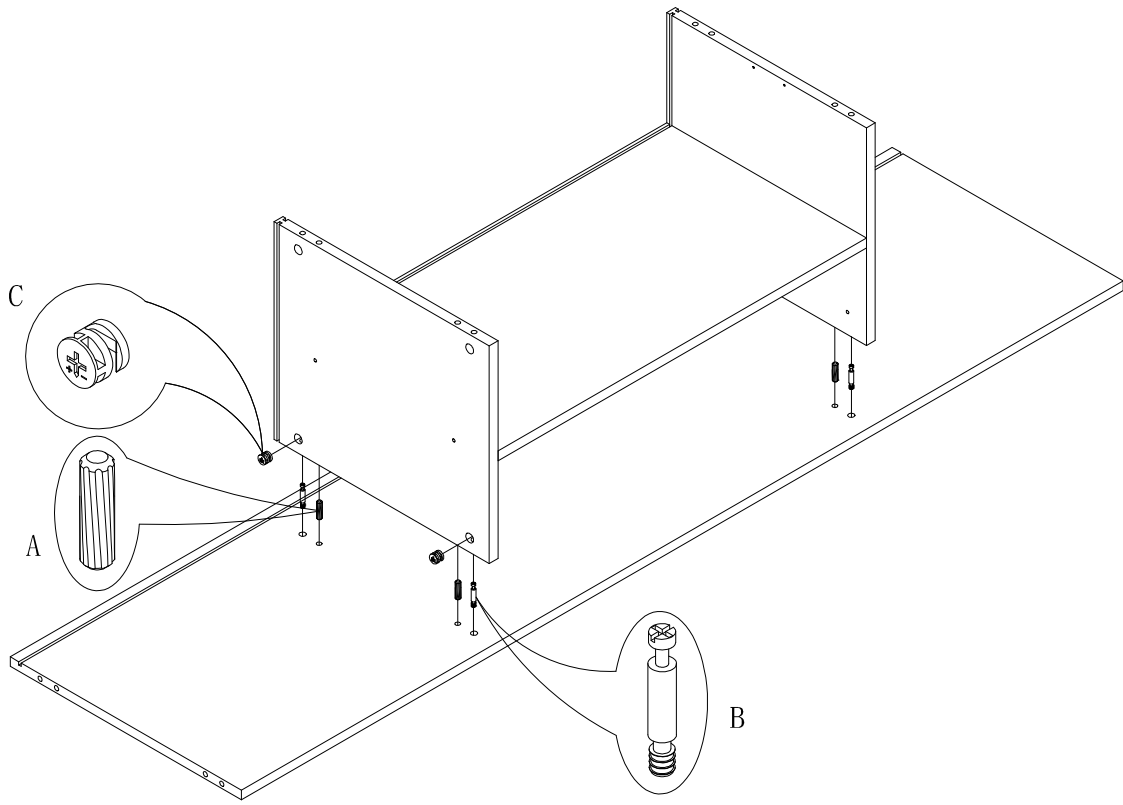
AAA x4  
Spec:  $\varnothing 3.8 \times L12$



1

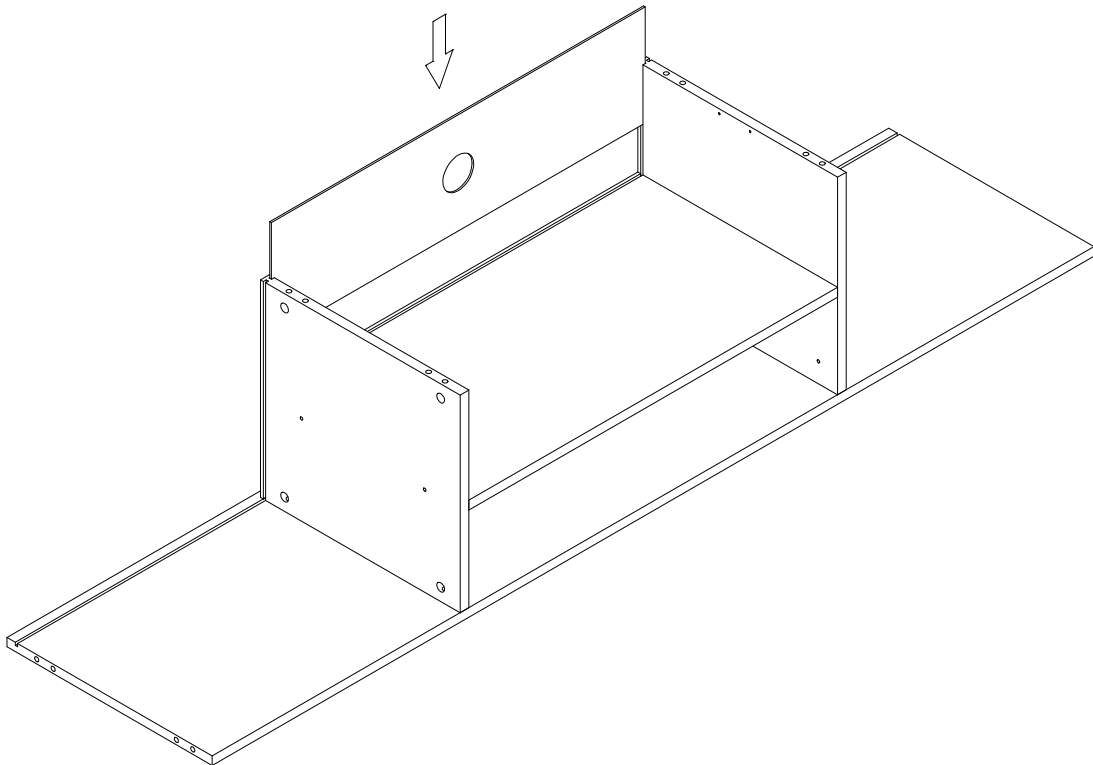
2

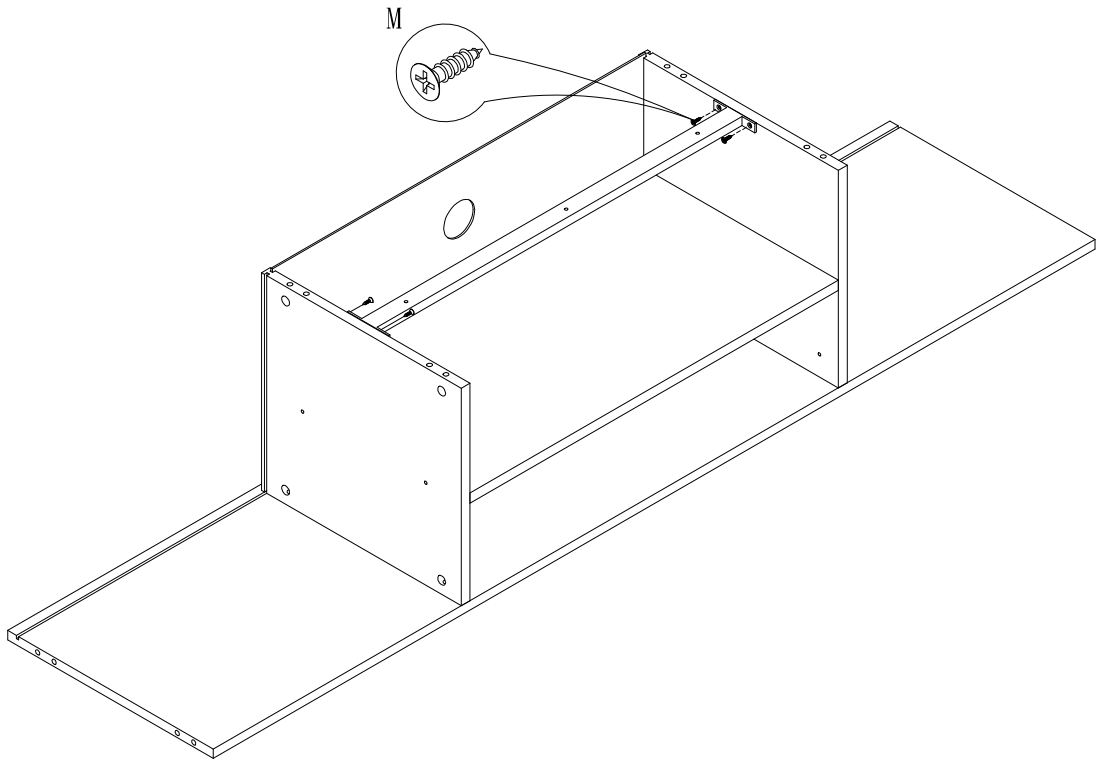




3

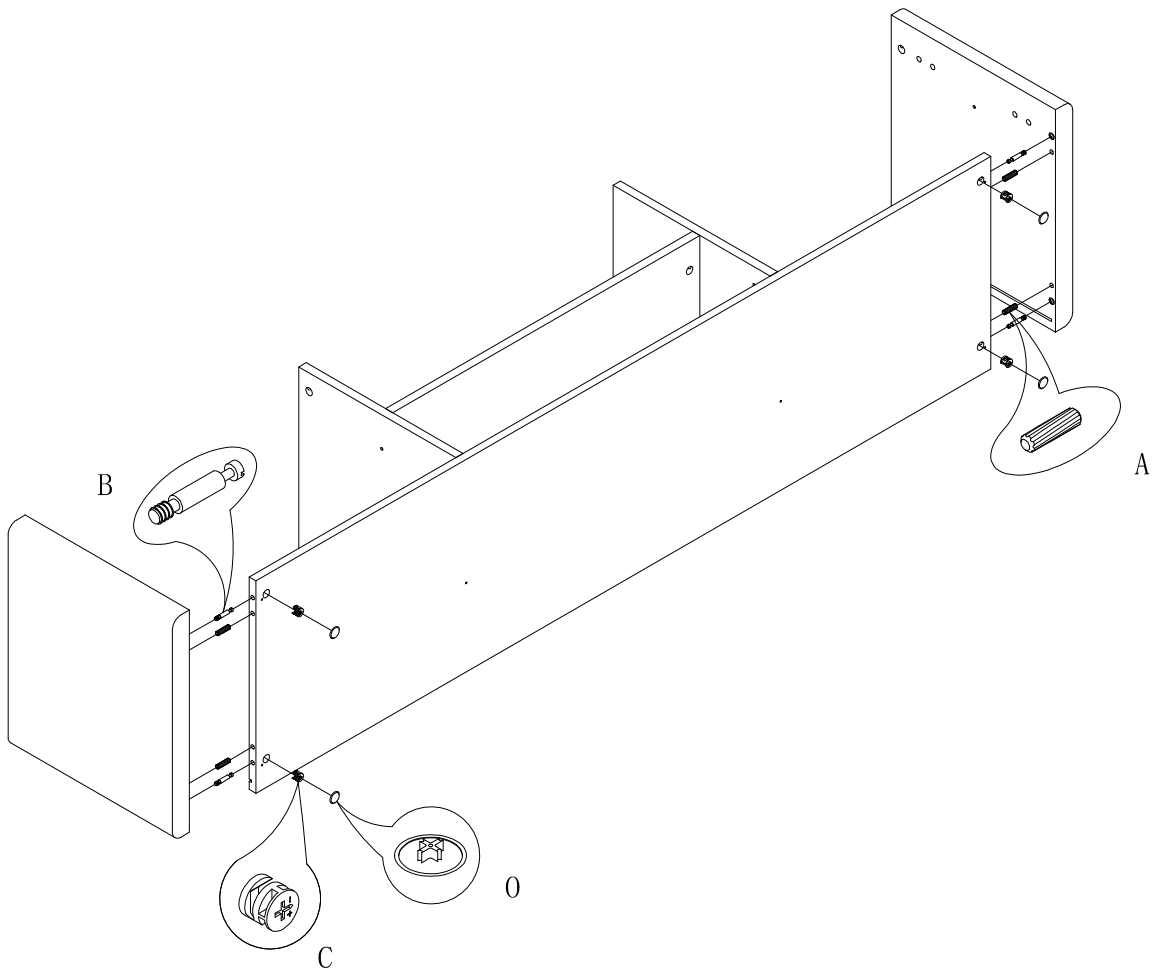
4

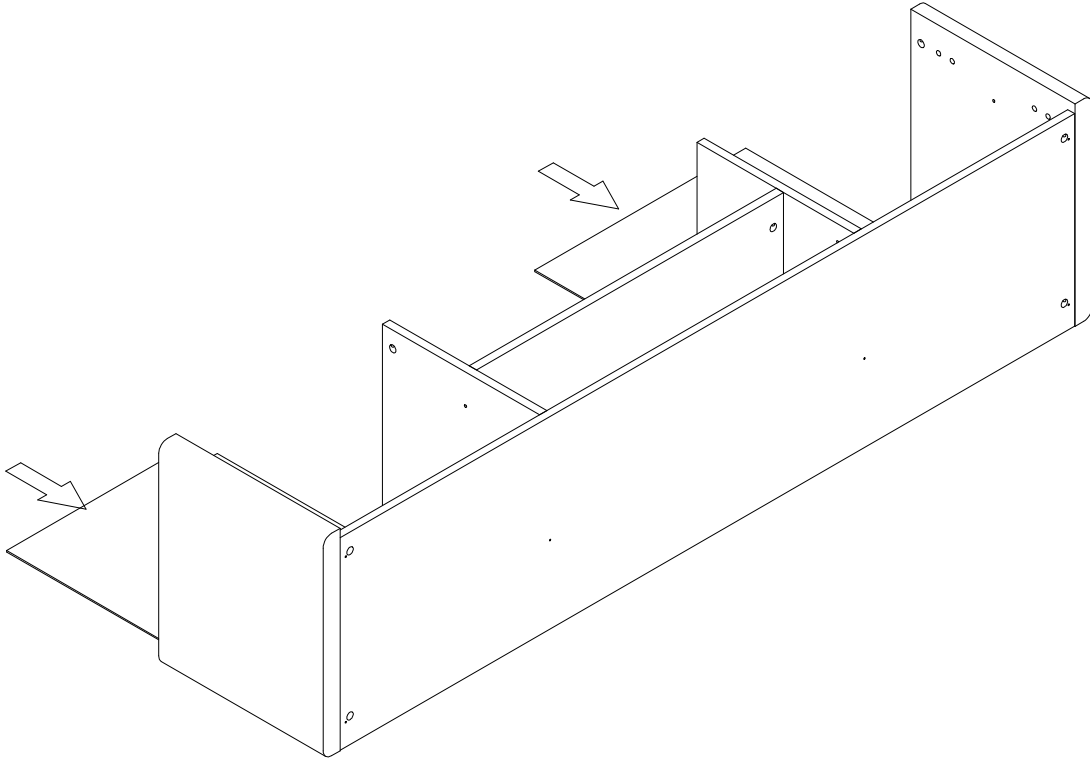




5

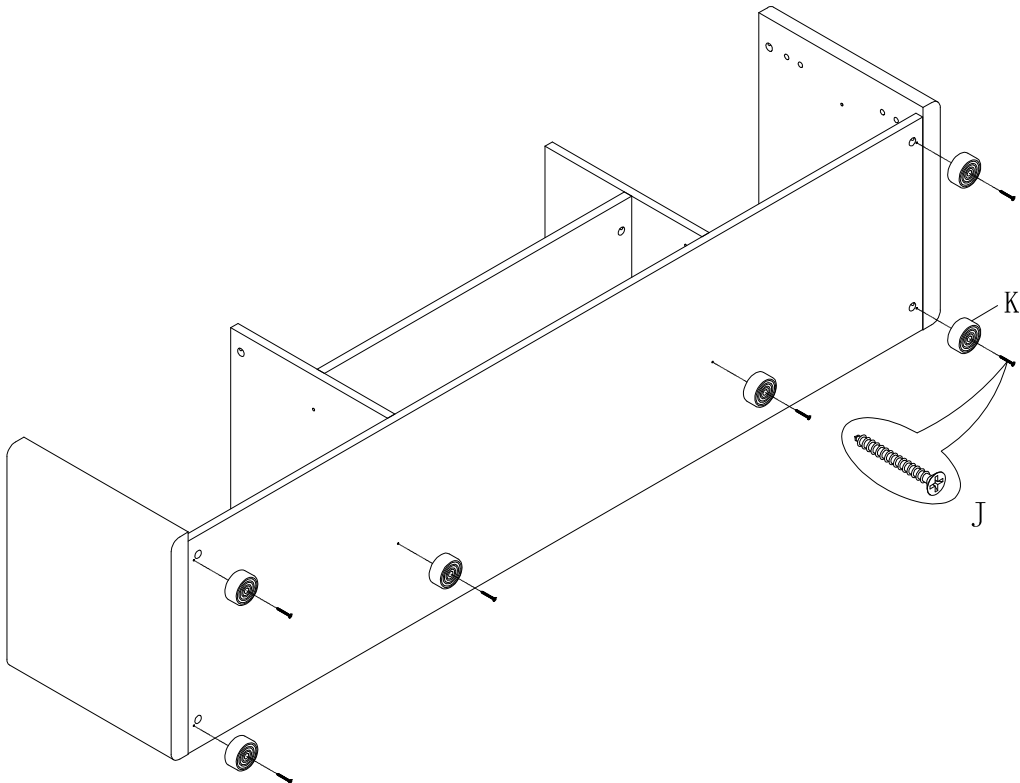
6

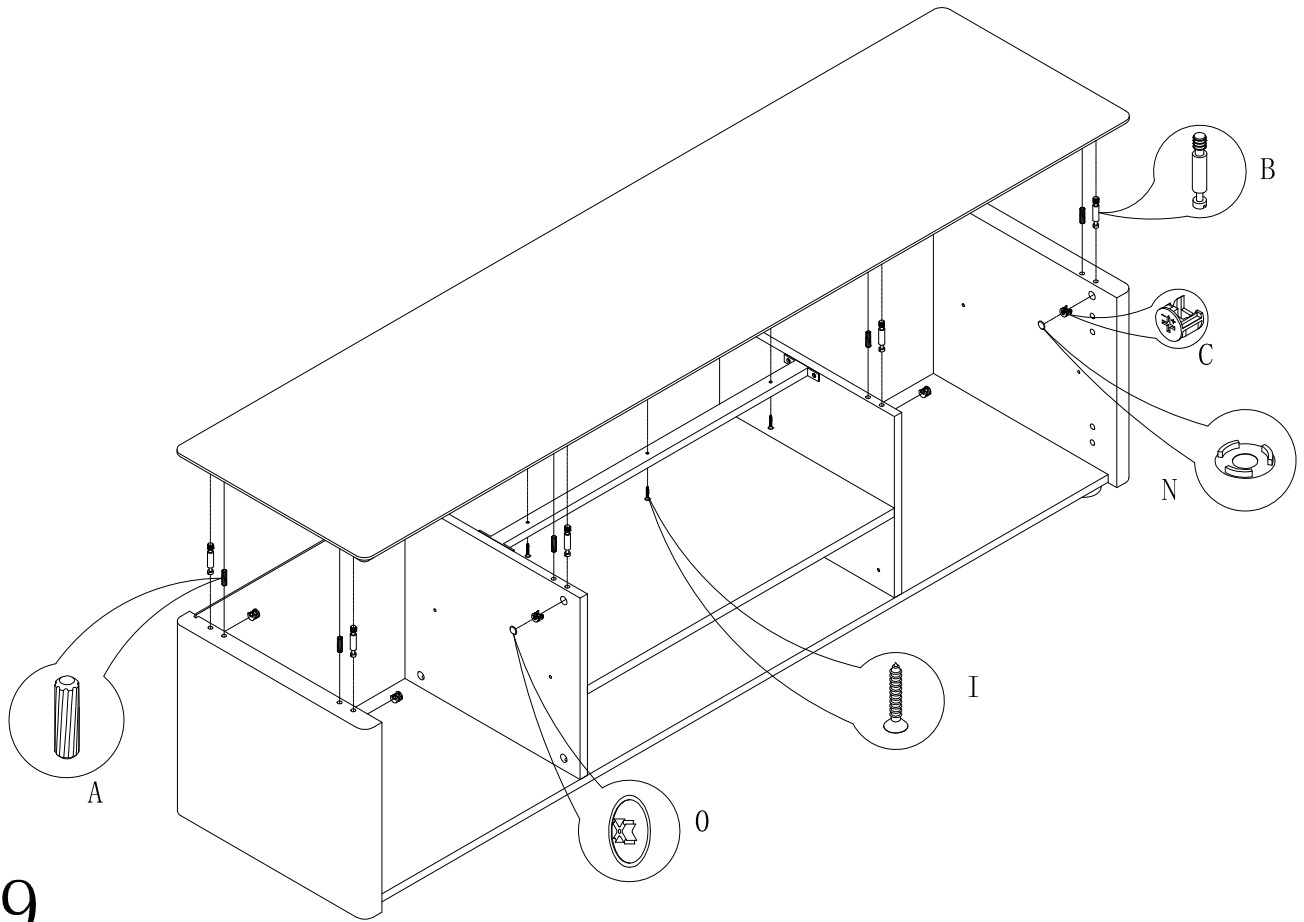




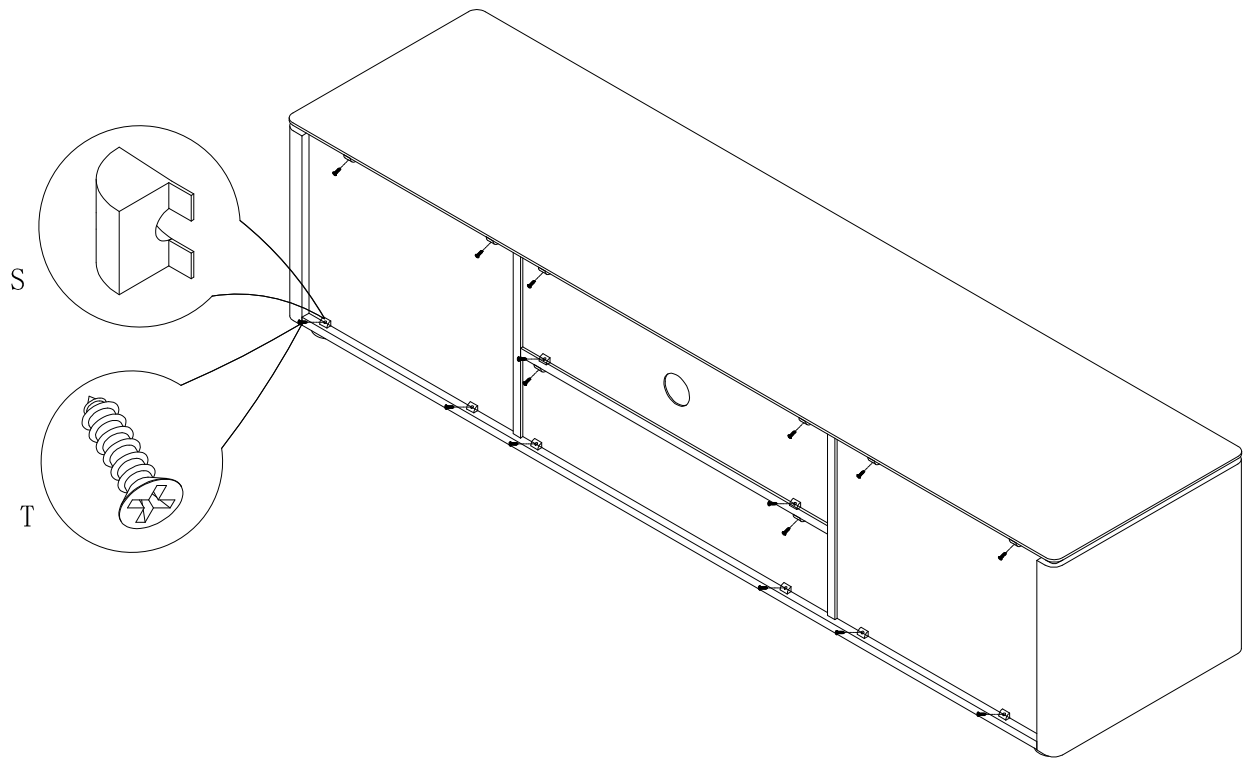
7

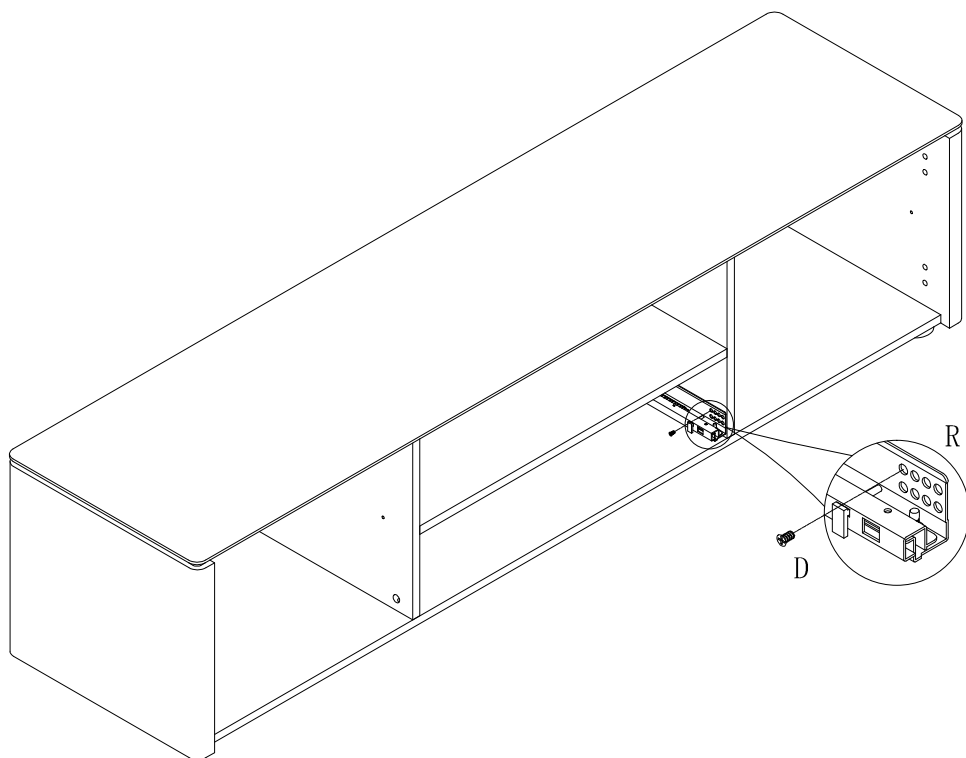
8





10

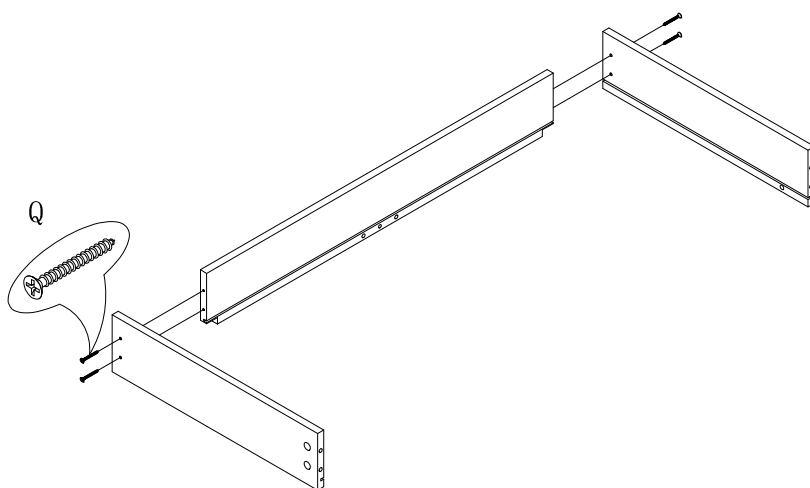




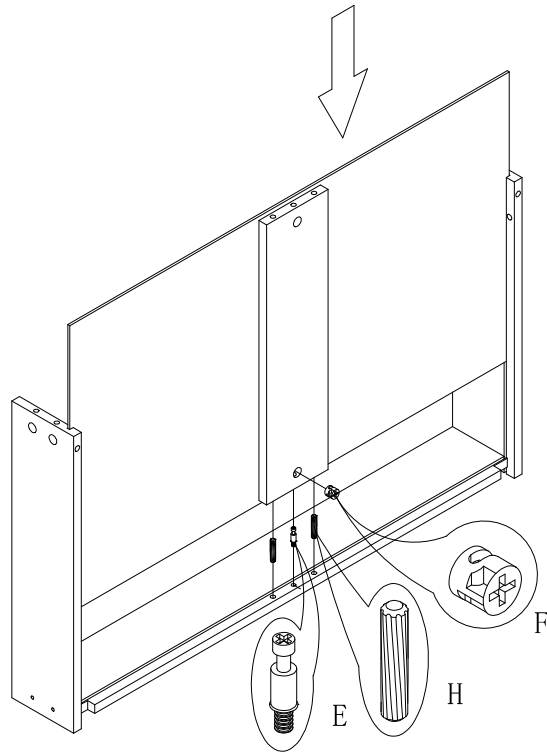
11

---

12

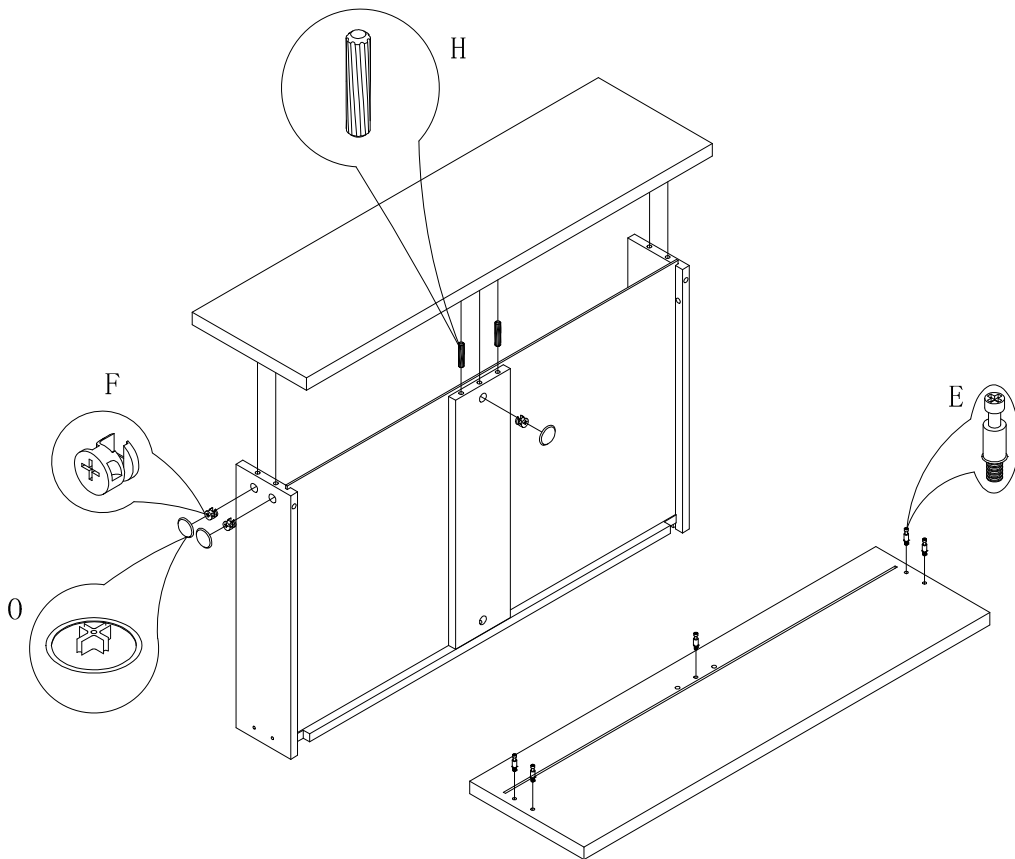


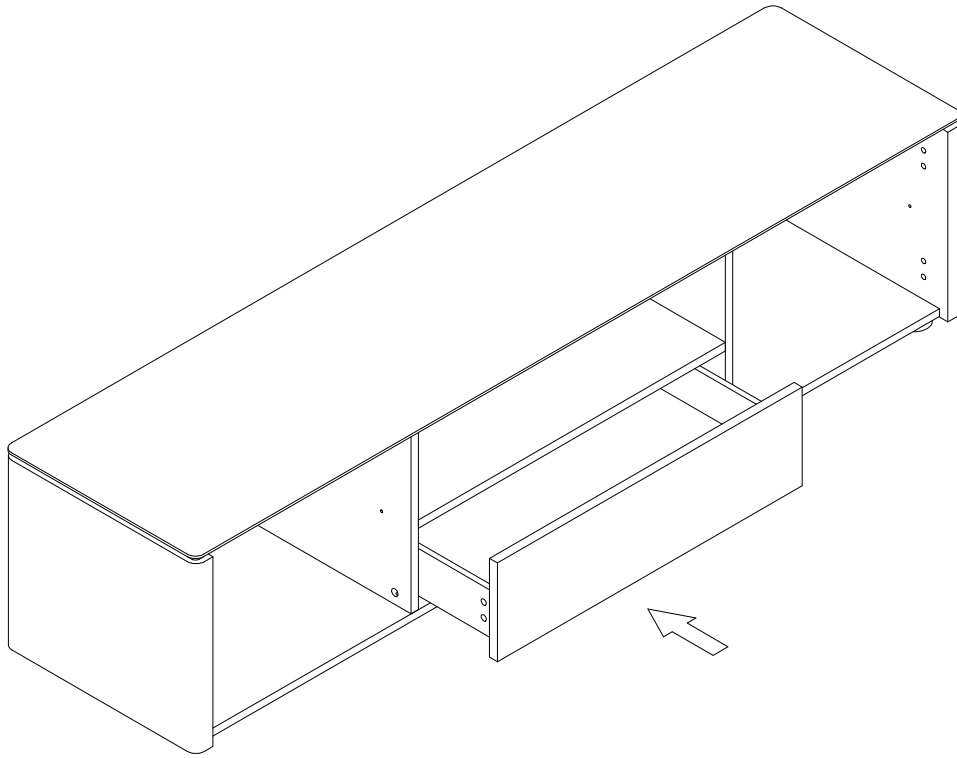




13

14

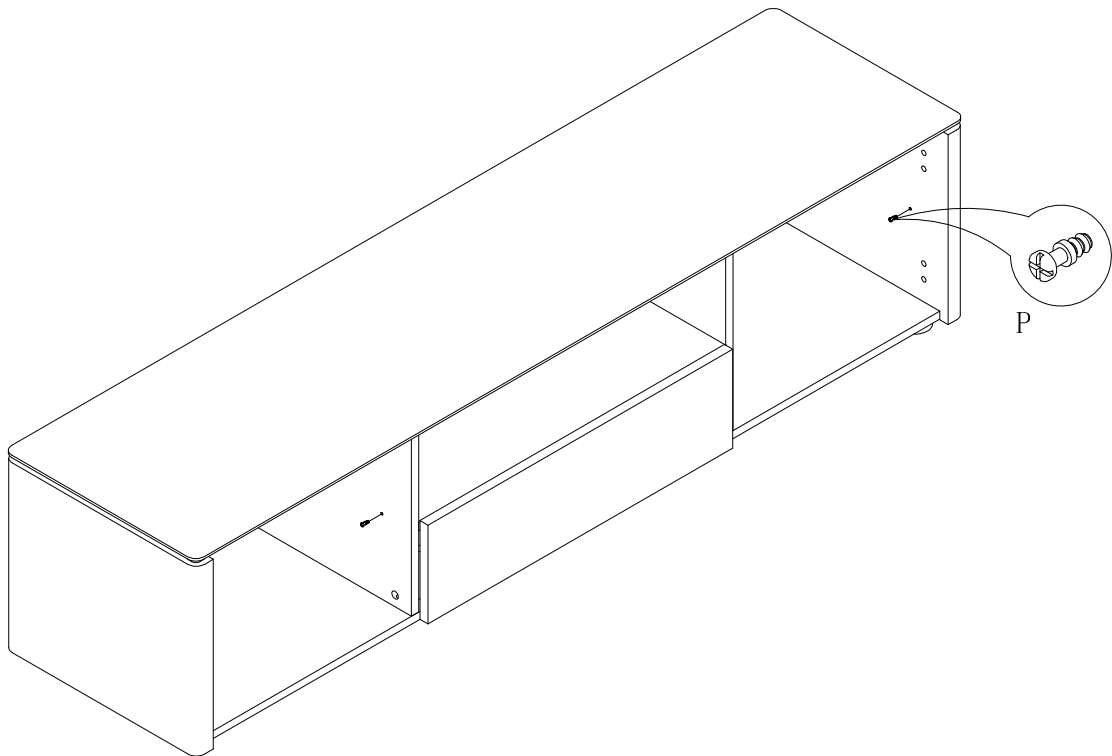


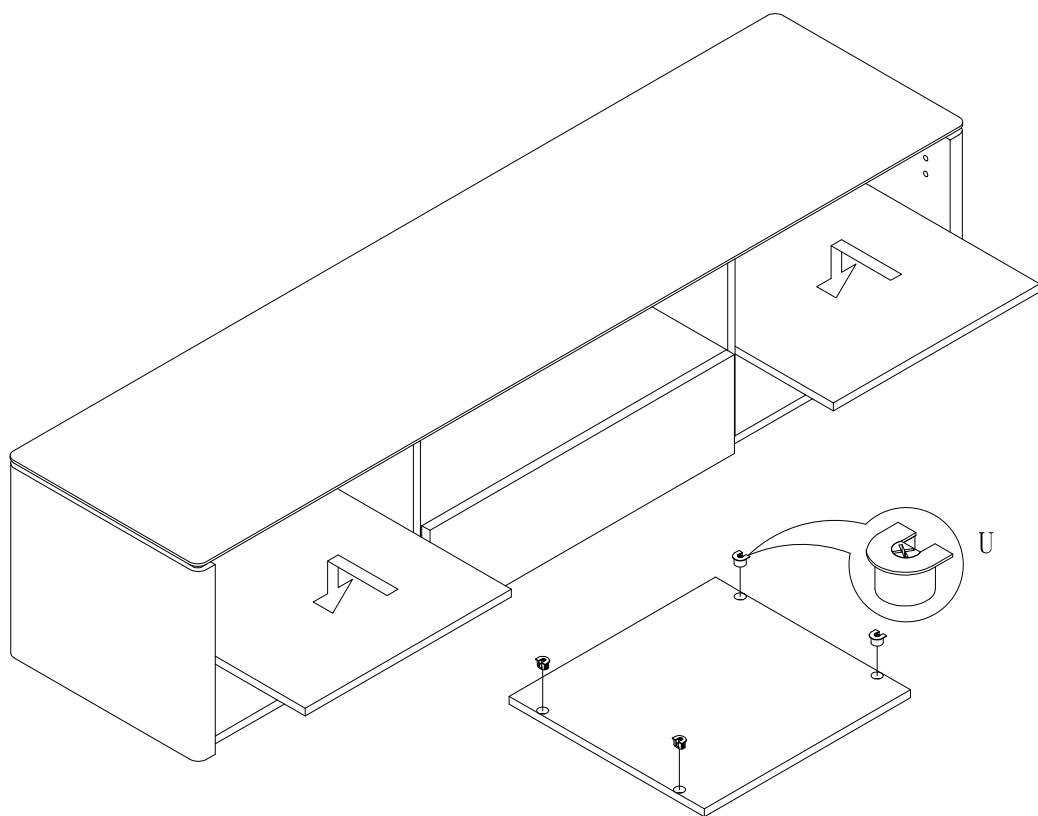


15

---

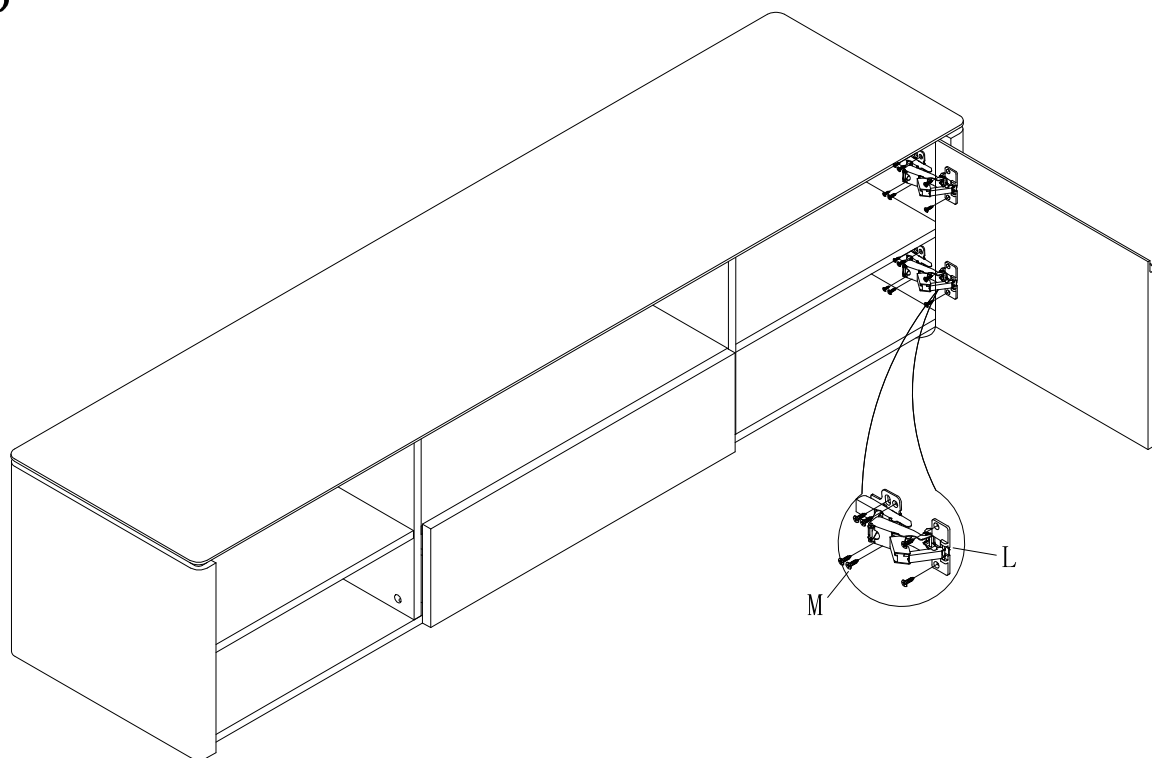
16

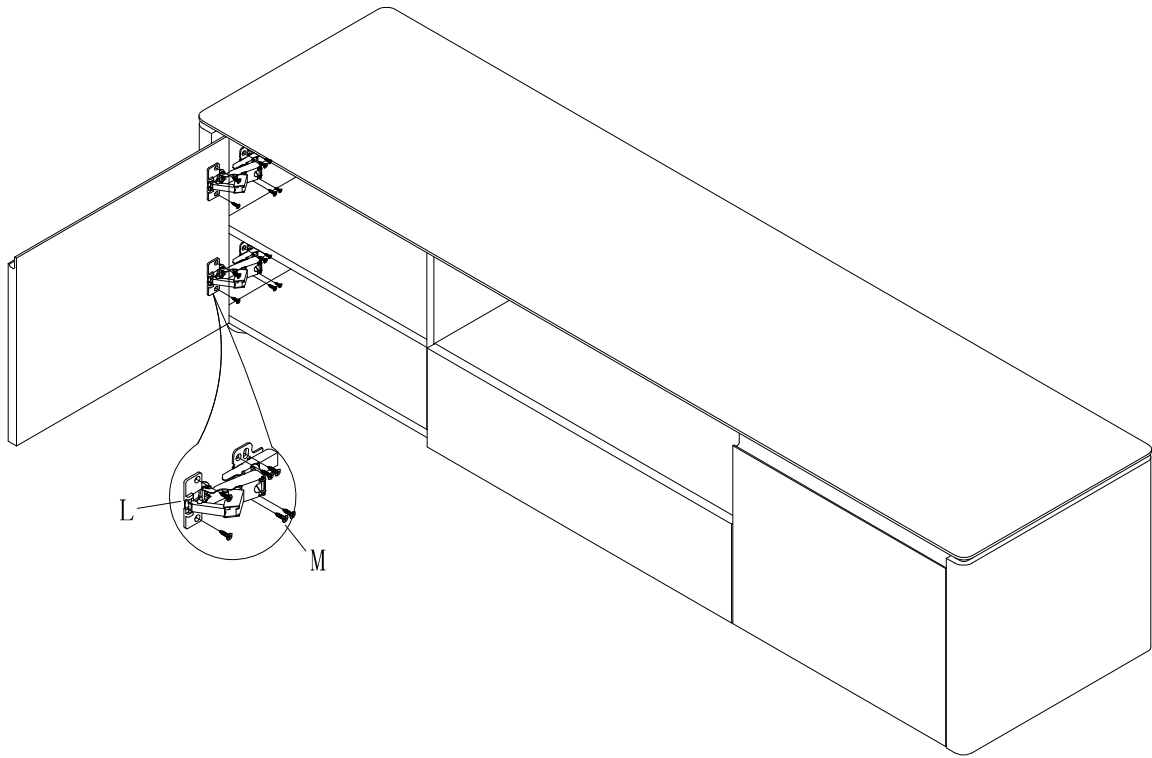




17

18





19

---