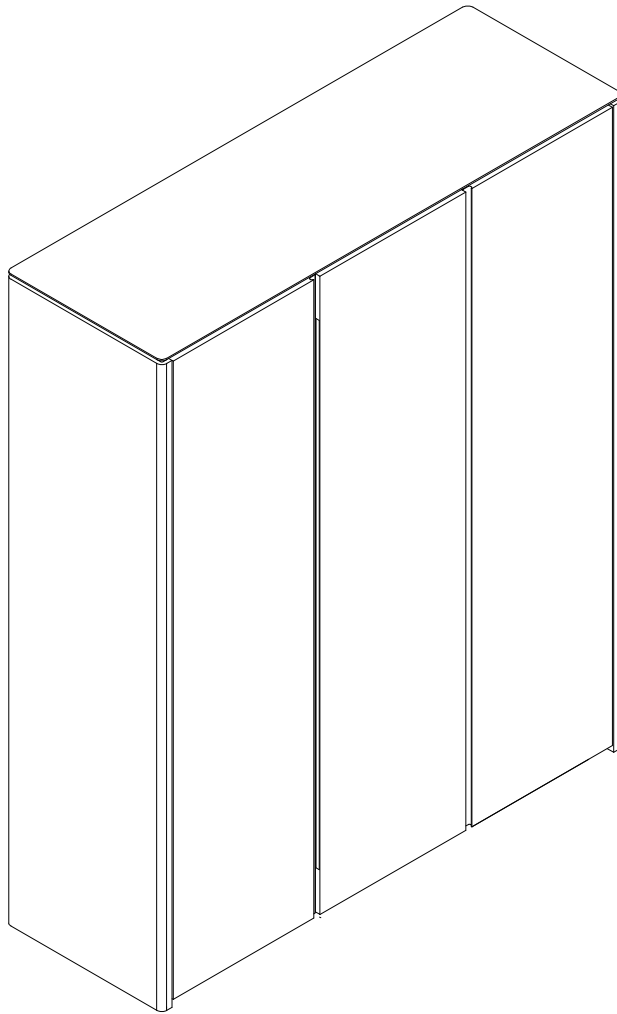


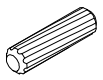
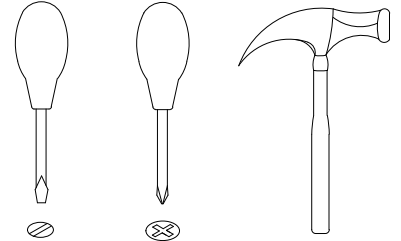
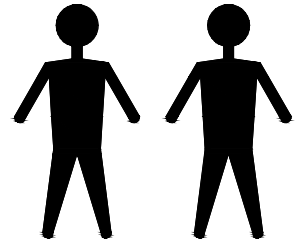


CP1908W-180

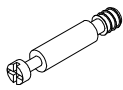


EAC

CP1908W-180



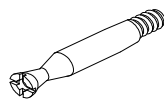
A x56
Spec: $\phi 8 \times 30$



B x34
Spec: $\phi 7 \times L30$



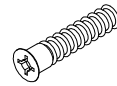
C x34
Spec: $\phi 15 \times H12$



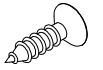
D x12
Spec: $\phi 7 \times L48$



E x12
Spec: $\phi 15 \times H15$



F x4
Spec: M7*38



G x30
Spec: 3.8*L16



H x24
Spec: $\phi 5 \times L19$



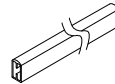
I x24
Spec: $\phi 20 \times H12$



J x2
Spec: L63*W20



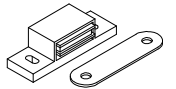
K x2
Spec: $\phi 5 \times L30$



L x1
Spec: L1112



M x46
Spec:



N x6
Spec:



O x12
Spec: $\phi 3.5 \times L16$



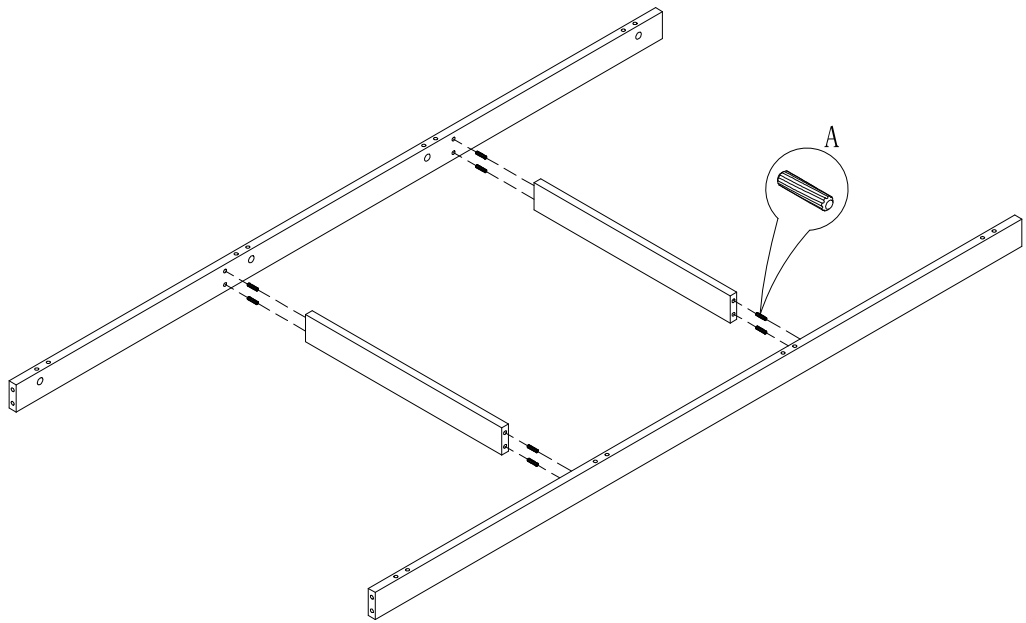
P x12
Spec: $\phi 3.5 \times L11$



Q x10
Spec: 088#

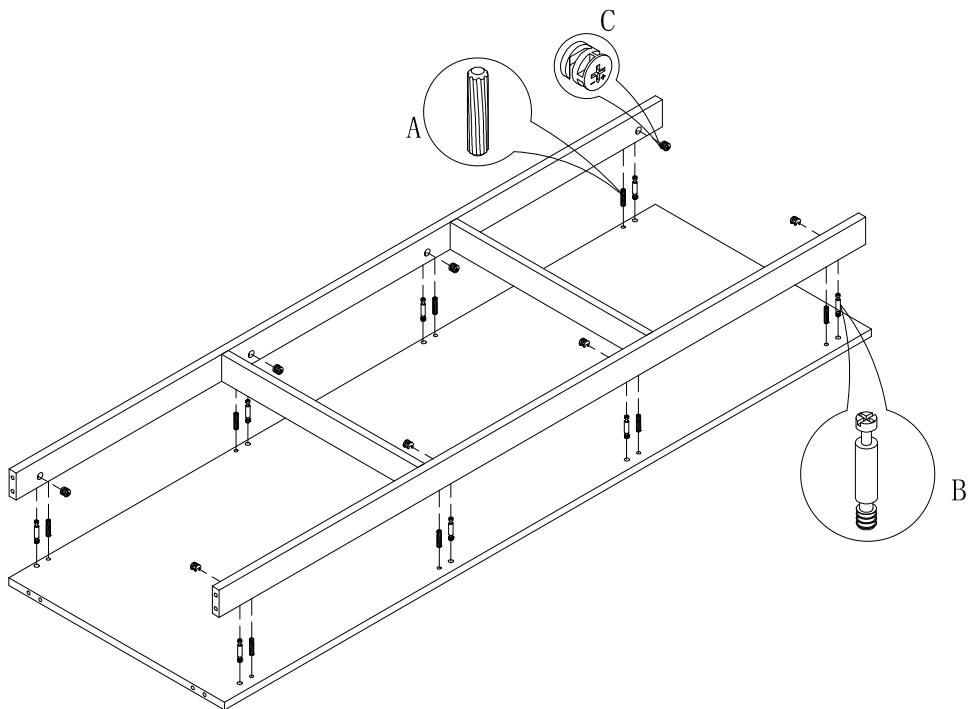


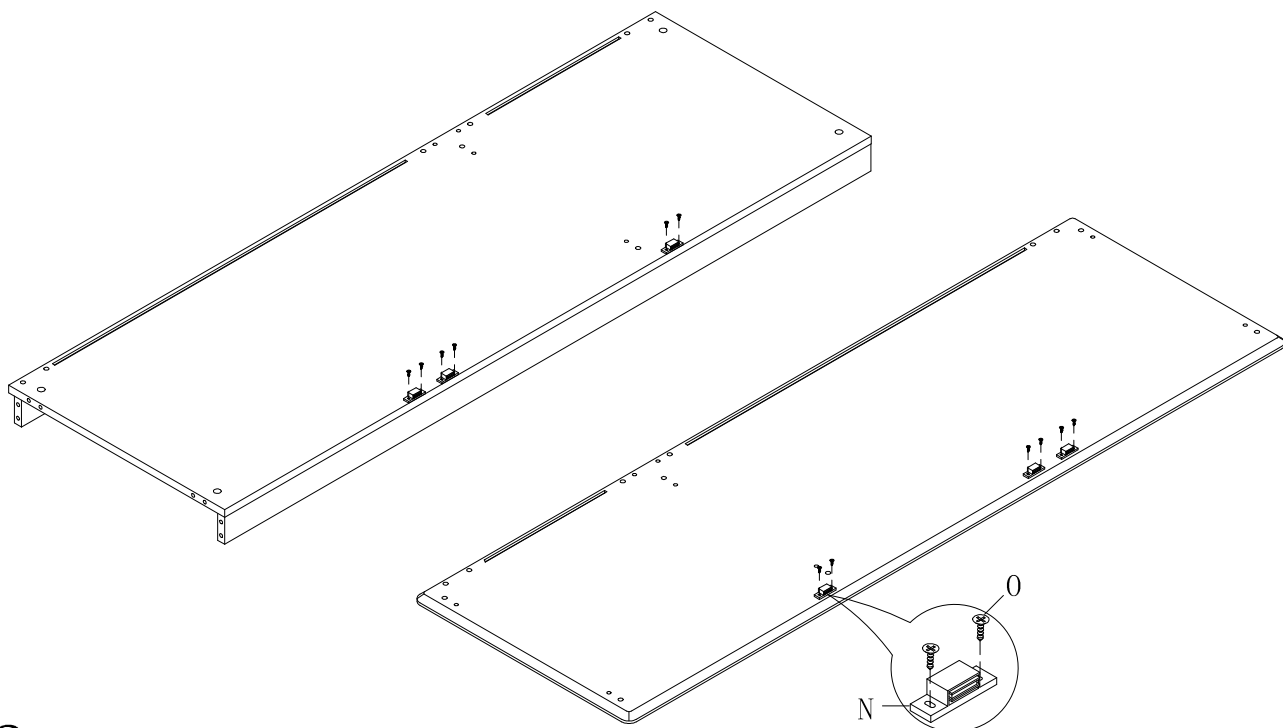
R x5
Spec: 078#



1

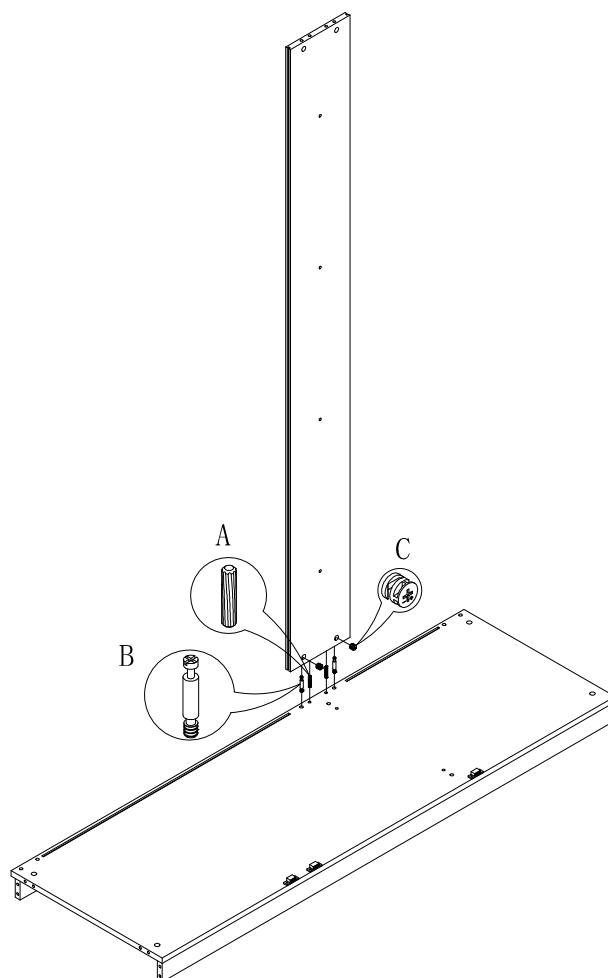
2



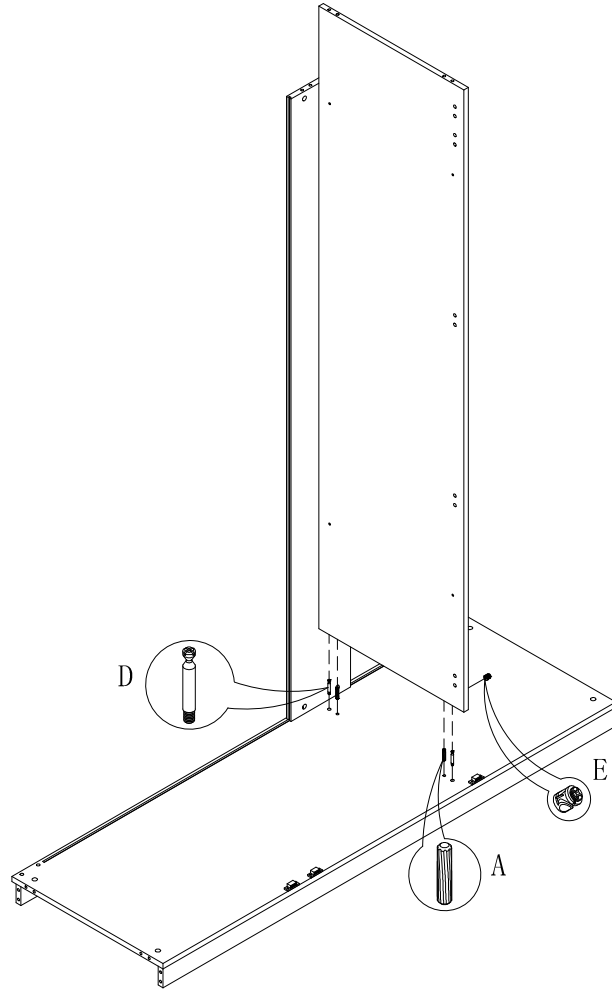


3

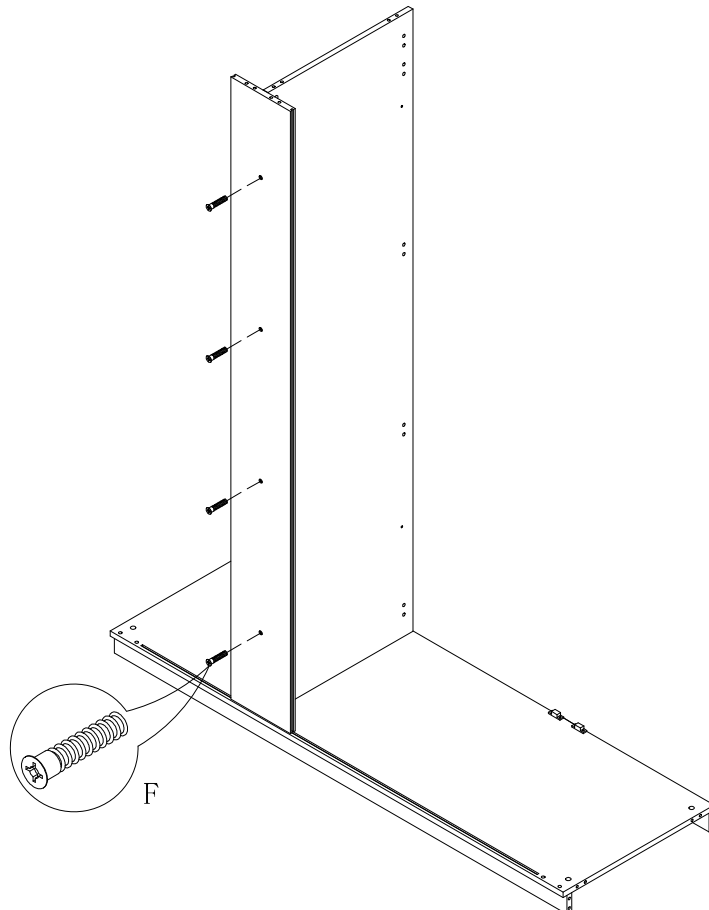
4

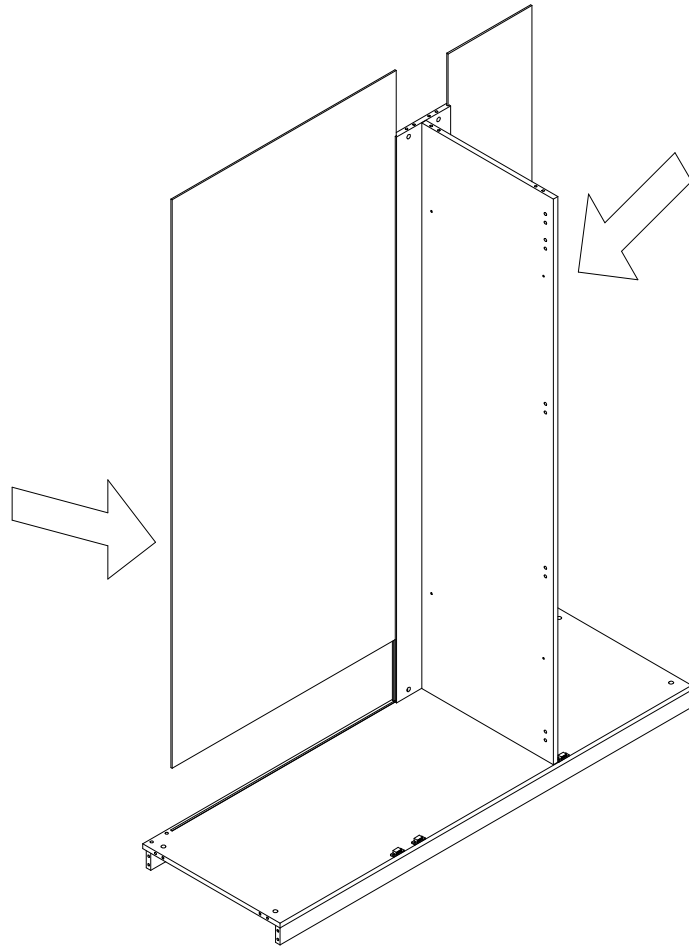


5



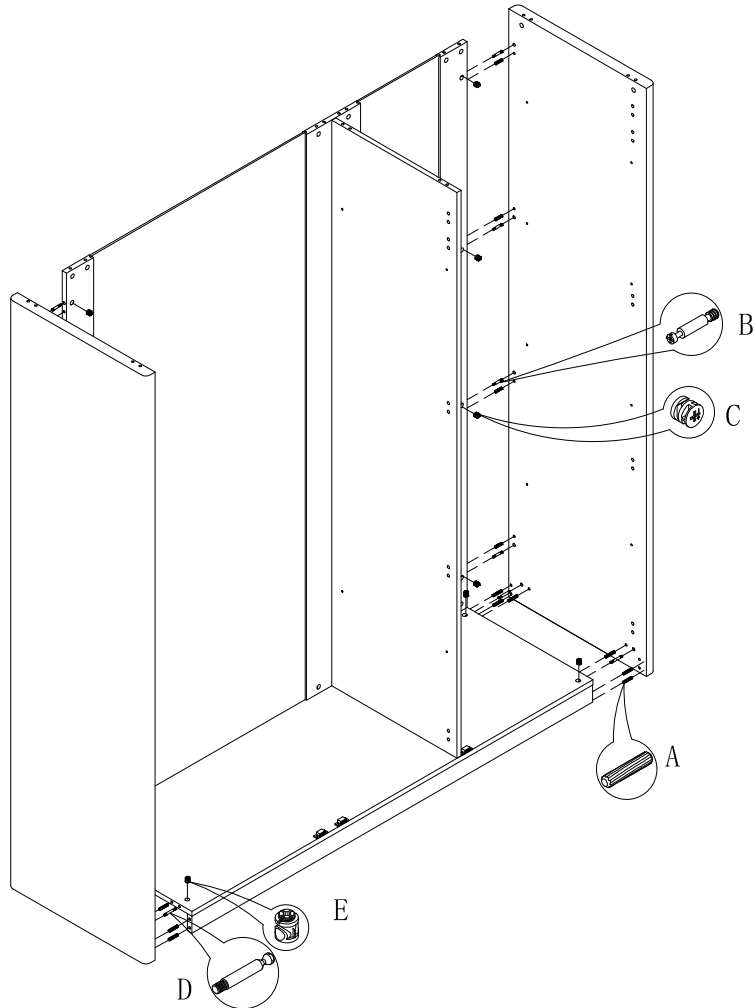
6

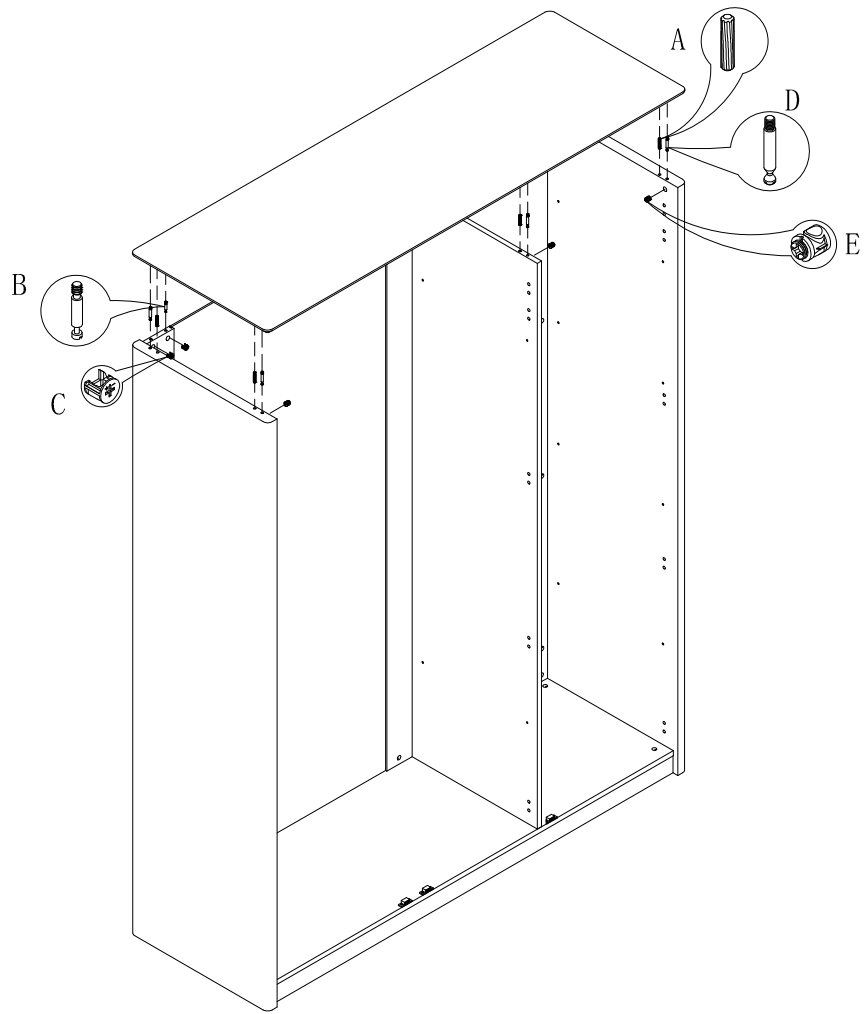




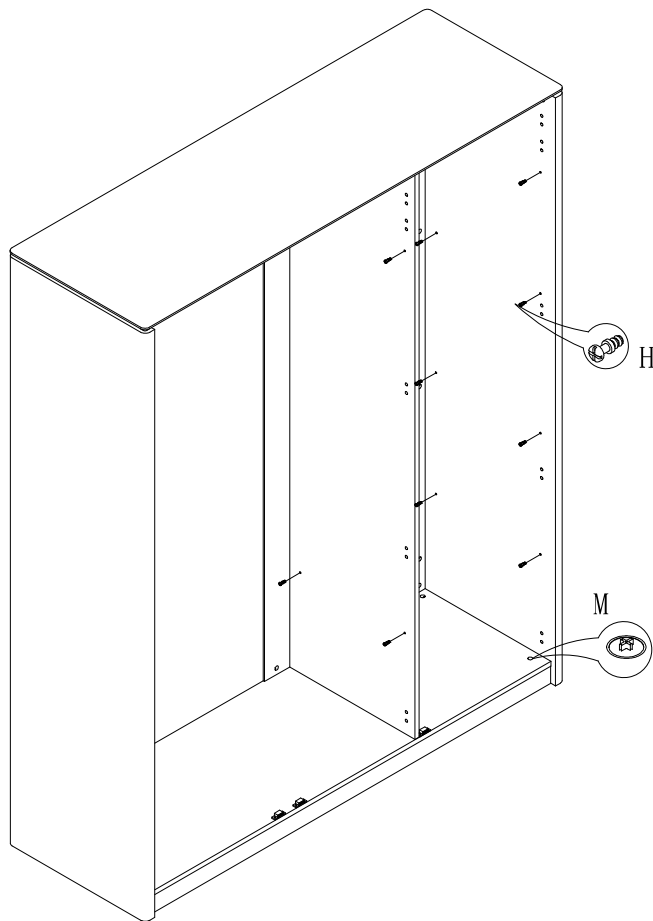
7

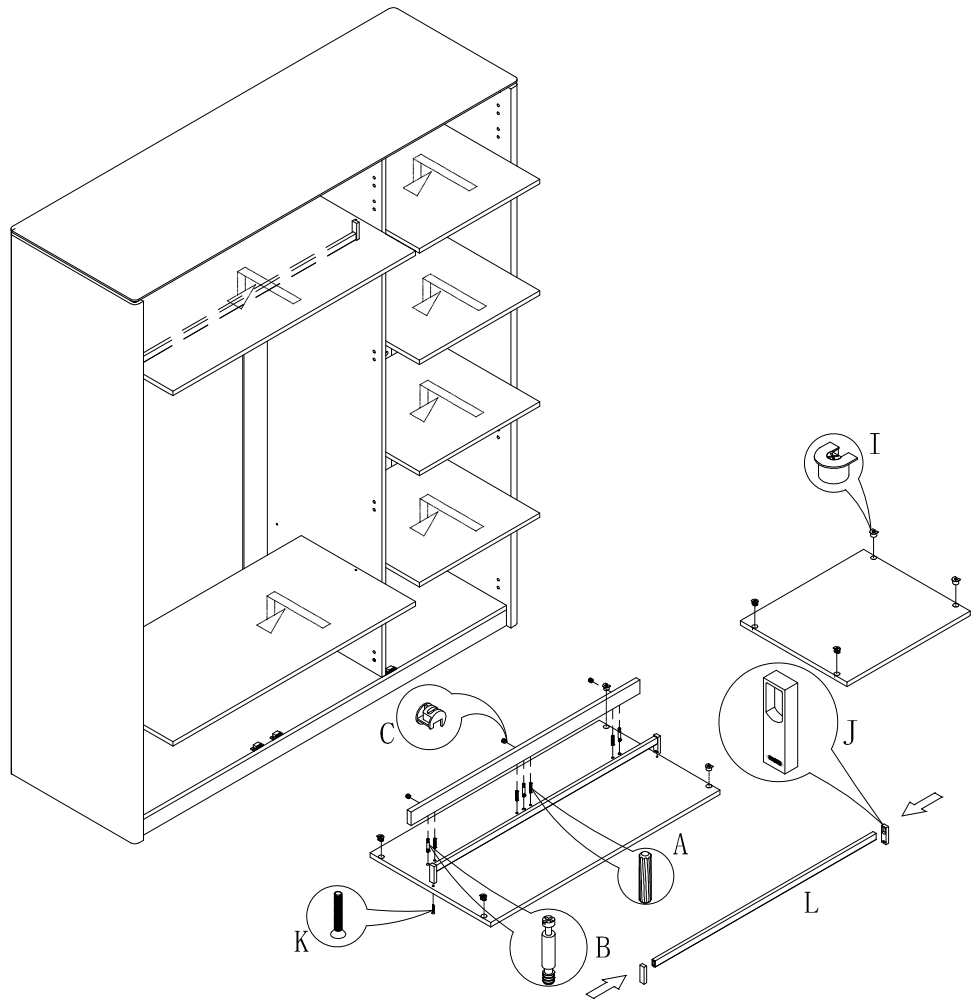
8





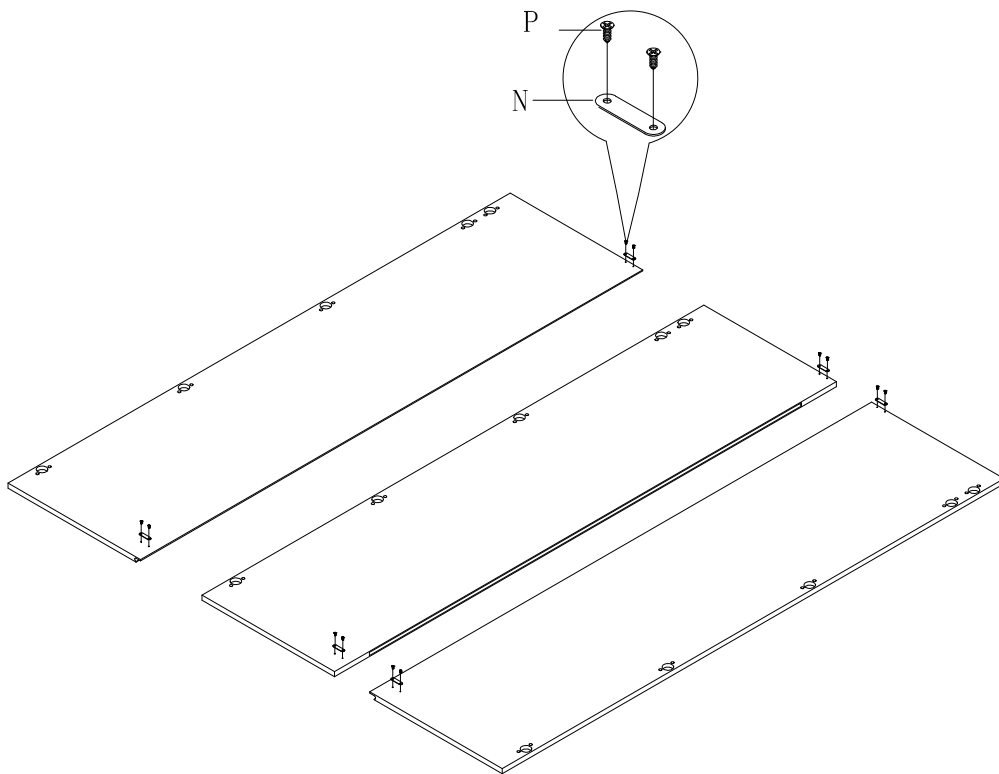
10

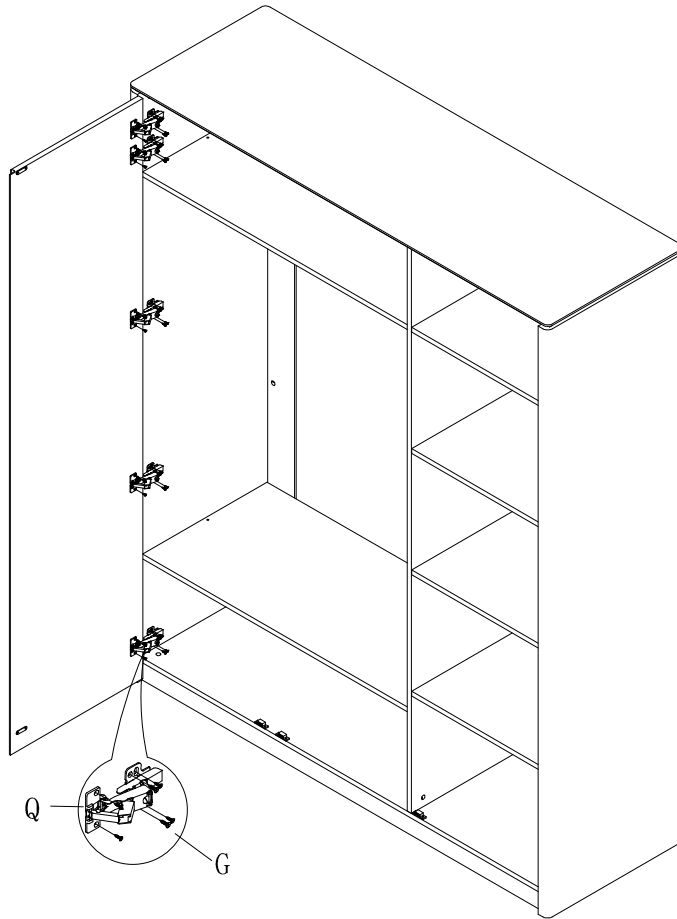




11

12





13

14

