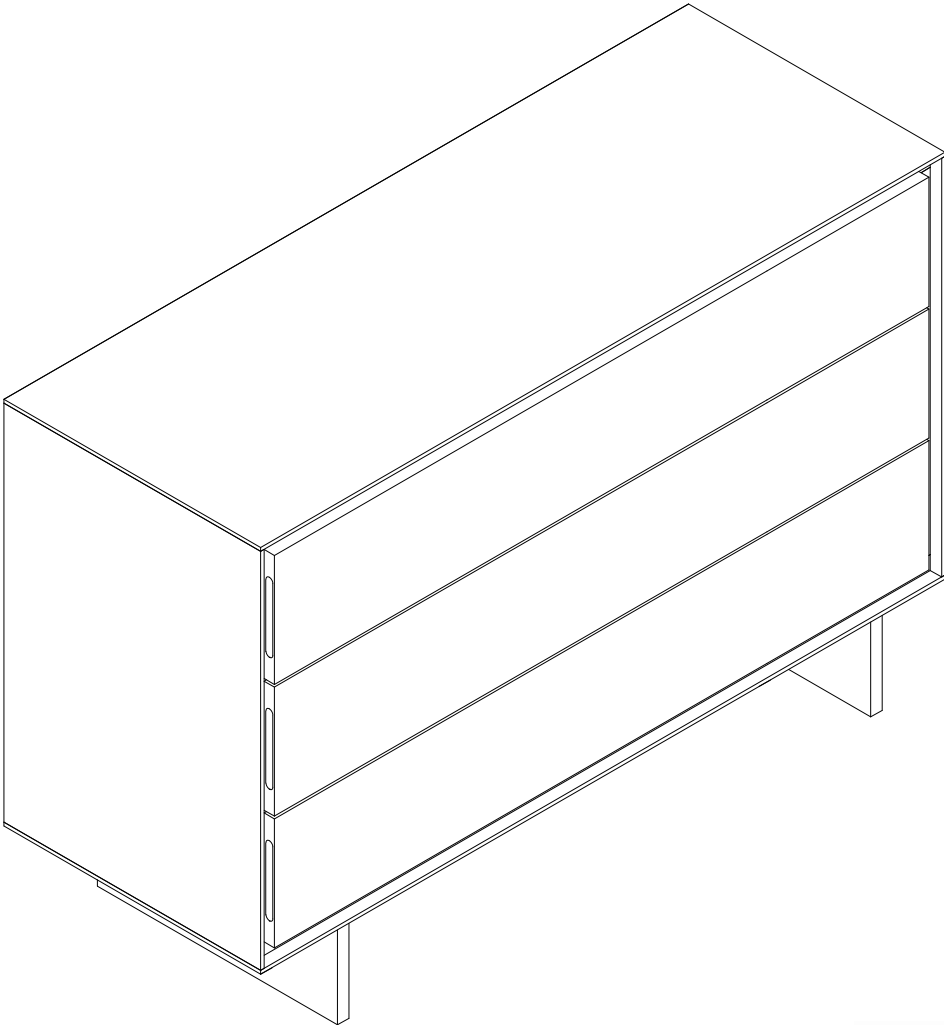


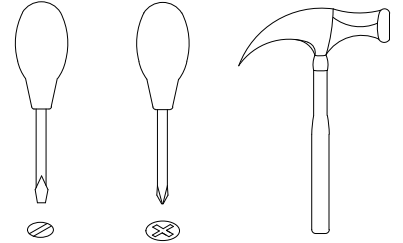
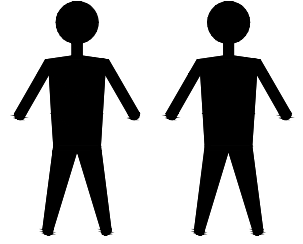


CP2202C3

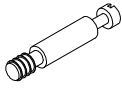


EAC

CP2202C3



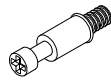
A x10
Spec: $\varnothing 8 \times 30$



B x14
Spec: $\varnothing 7 \times L30$



C x14
Spec: $\varnothing 15 \times H12$



D x24
Spec: $\varnothing 6 \times L28$



E x24
Spec: $\varnothing 12 \times H9$



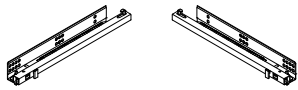
F x12
Spec: $\varnothing 3.5 \times L35$



G x24
Spec: $\varnothing 6 \times 30$



H x18
Spec: $\varnothing 6 \times L8$



I x3
Spec: L400



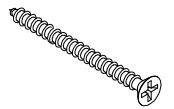
J x16
Spec: $\varnothing 3.5 \times L16$



K x16
Spec: H13



L x8
Spec: $3.8 \times L16$



M x6
Spec: $\varnothing 3.5 \times 50$



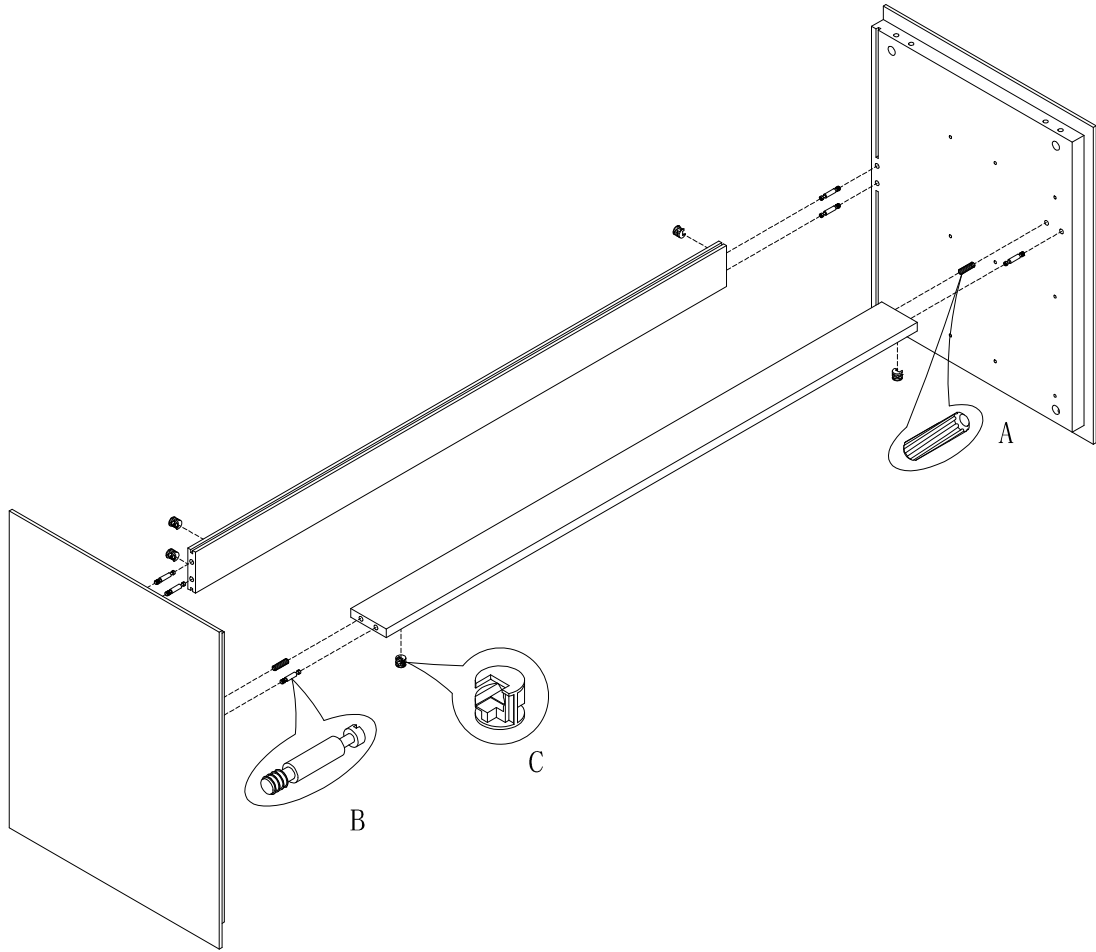
N x8
Spec:



O x30
Spec:

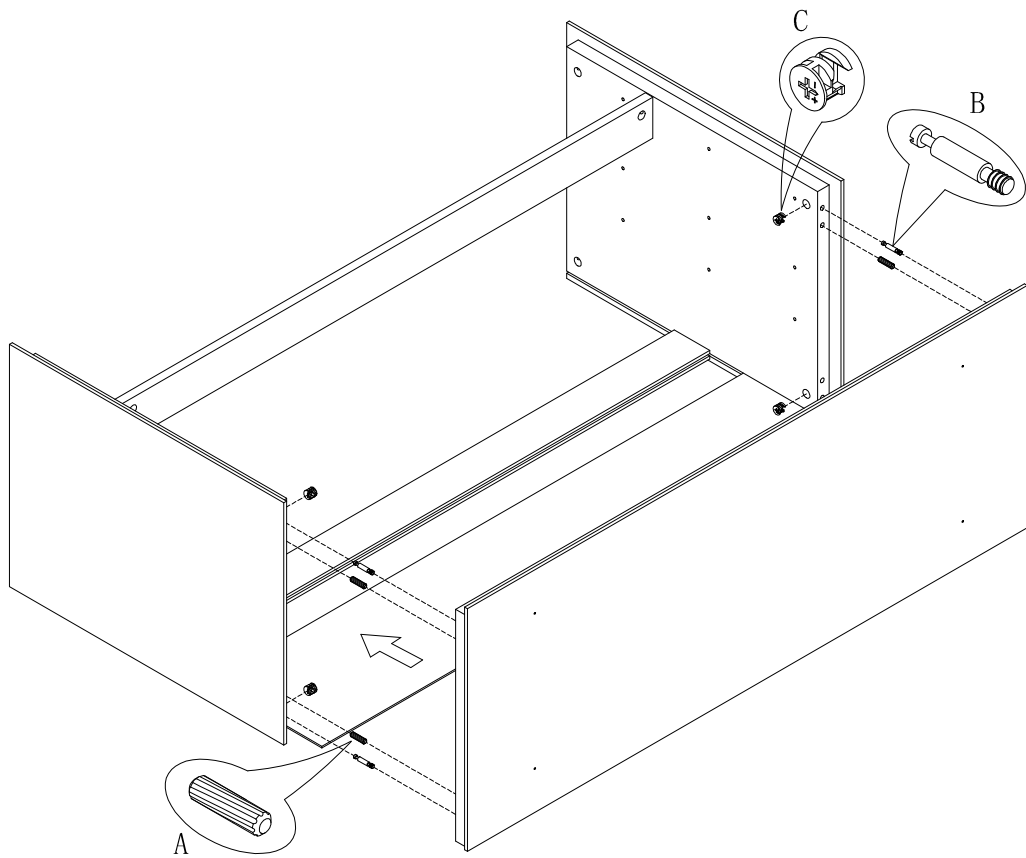


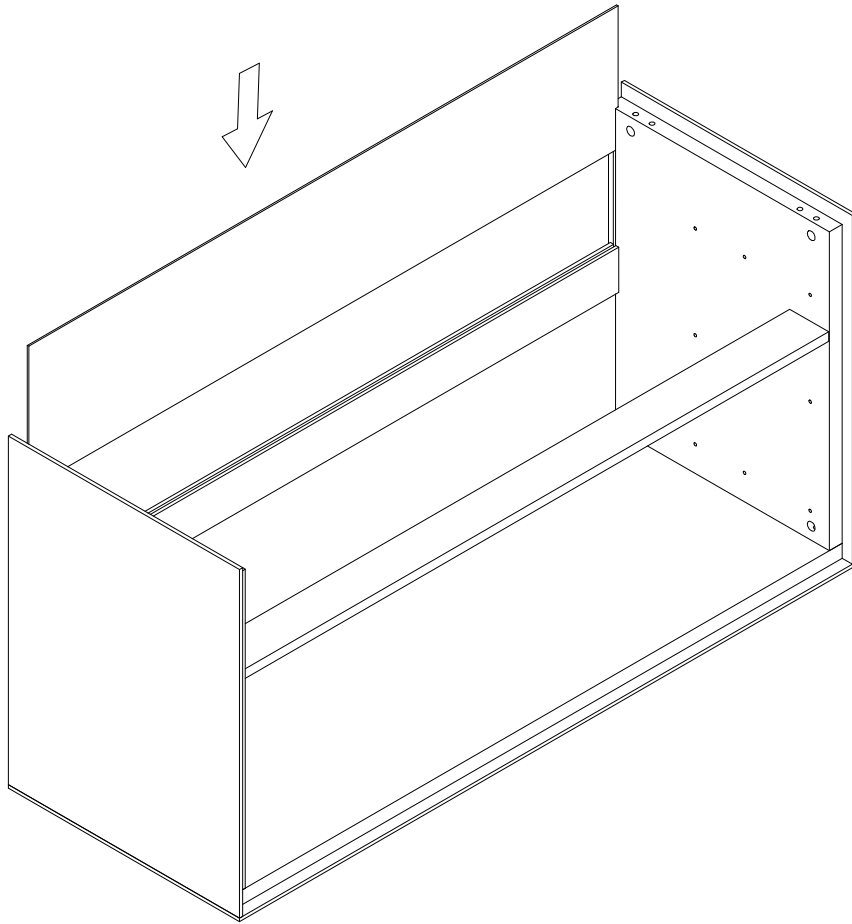
AAA x12
Spec: $\varnothing 3.8 \times L12$



1

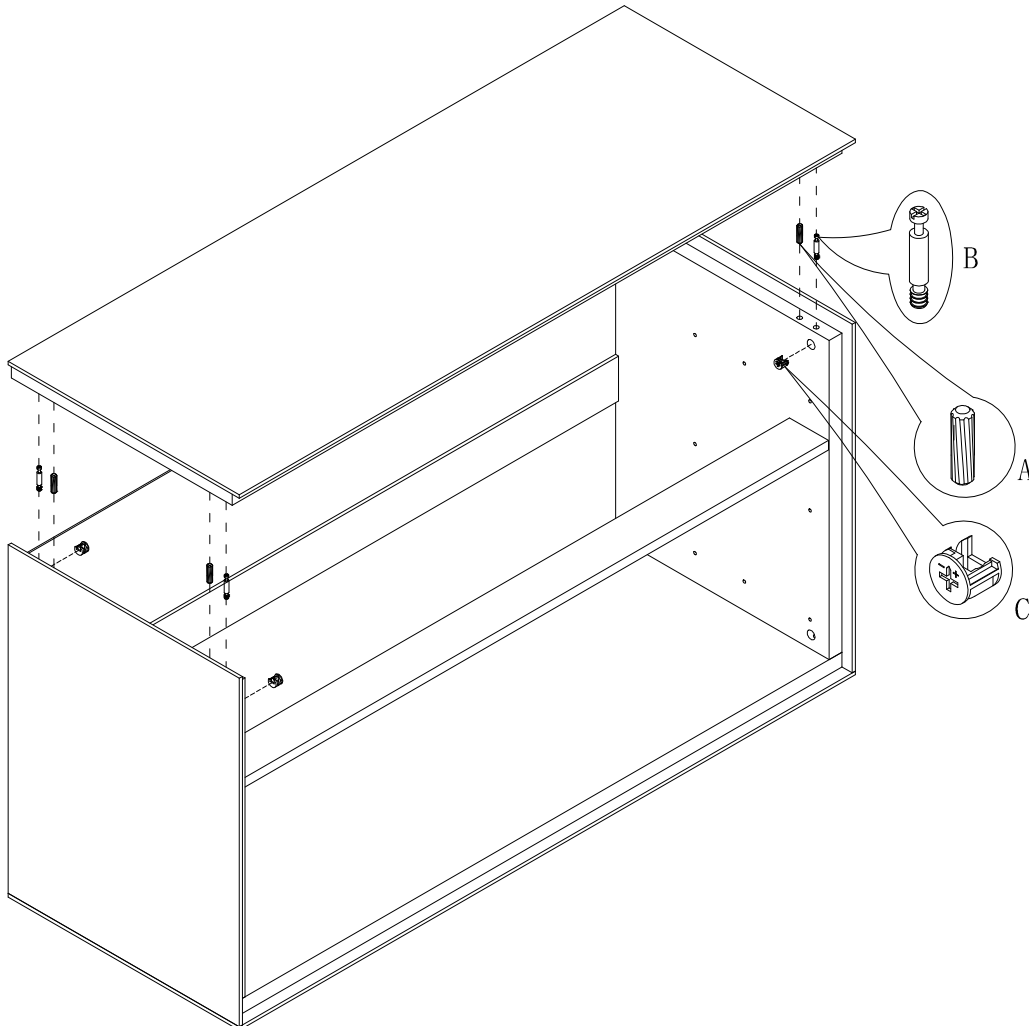
2

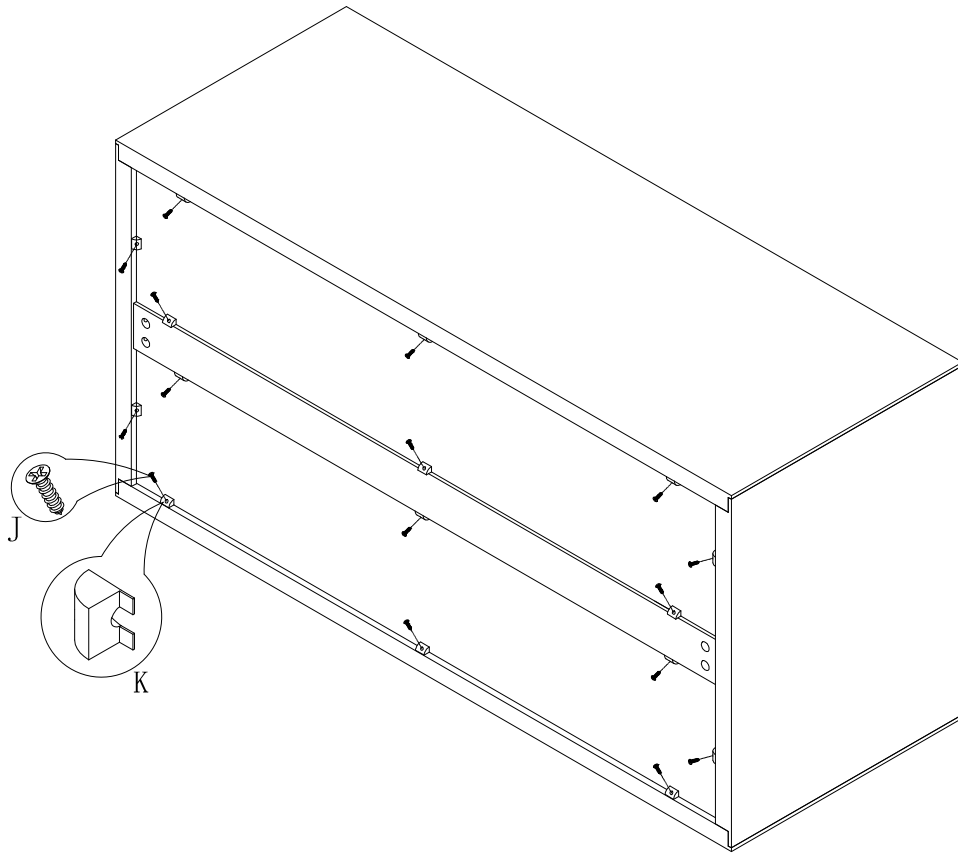




3

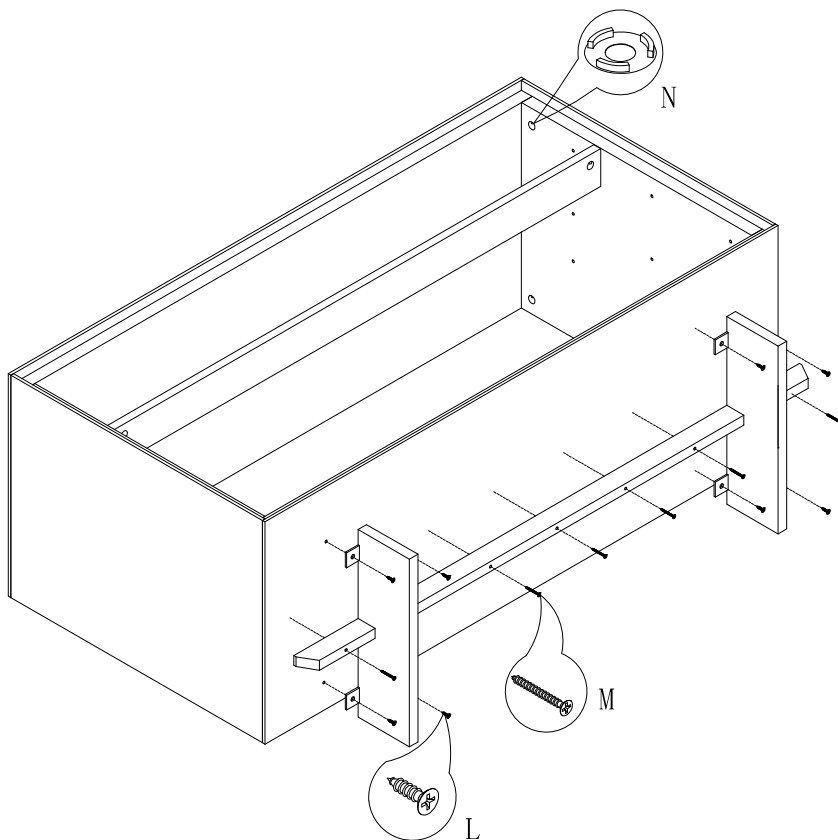
4

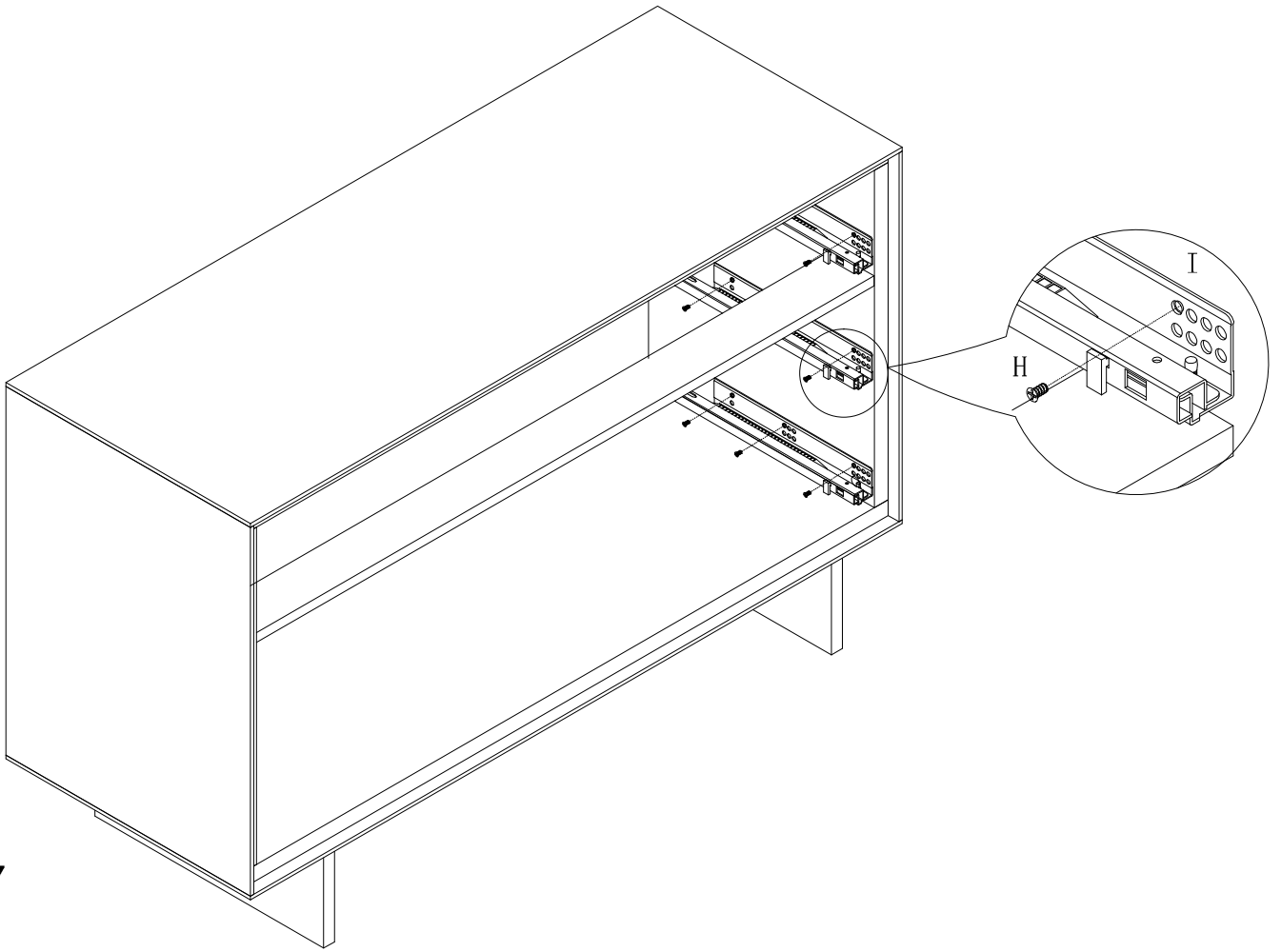




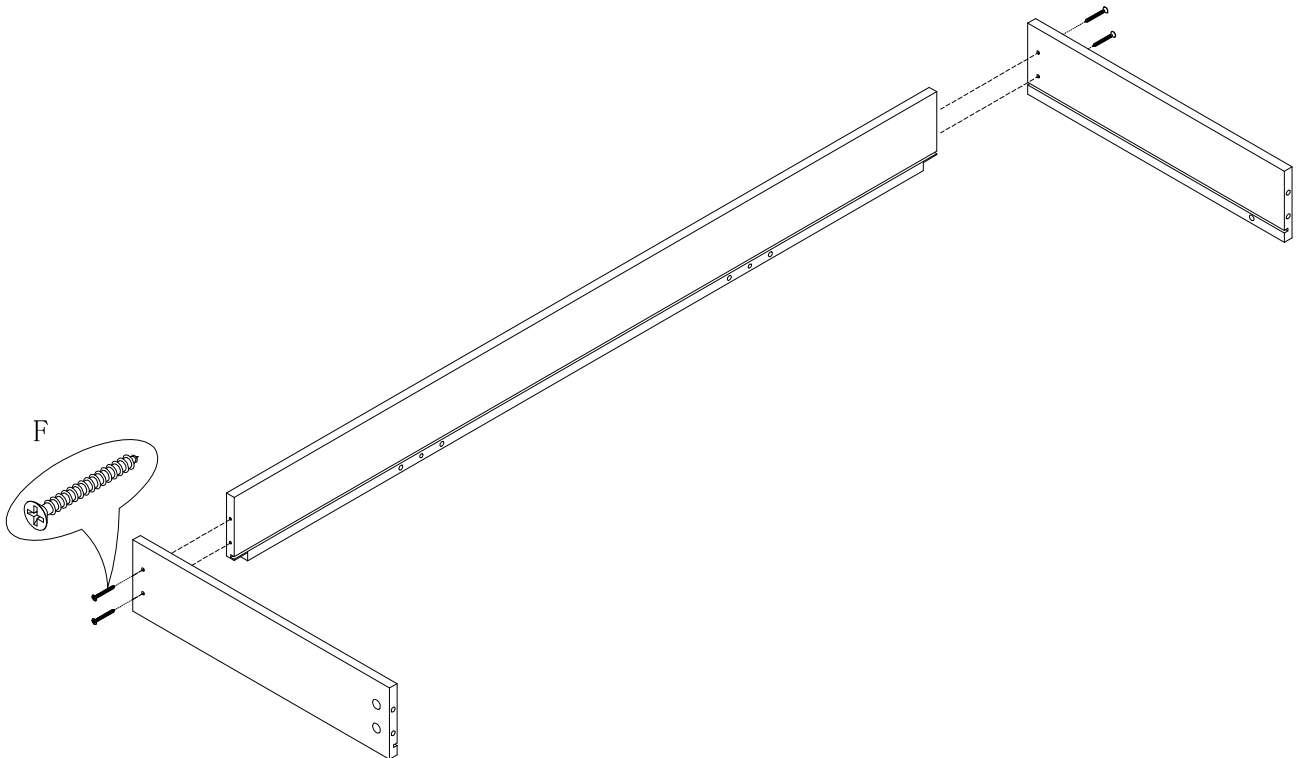
5

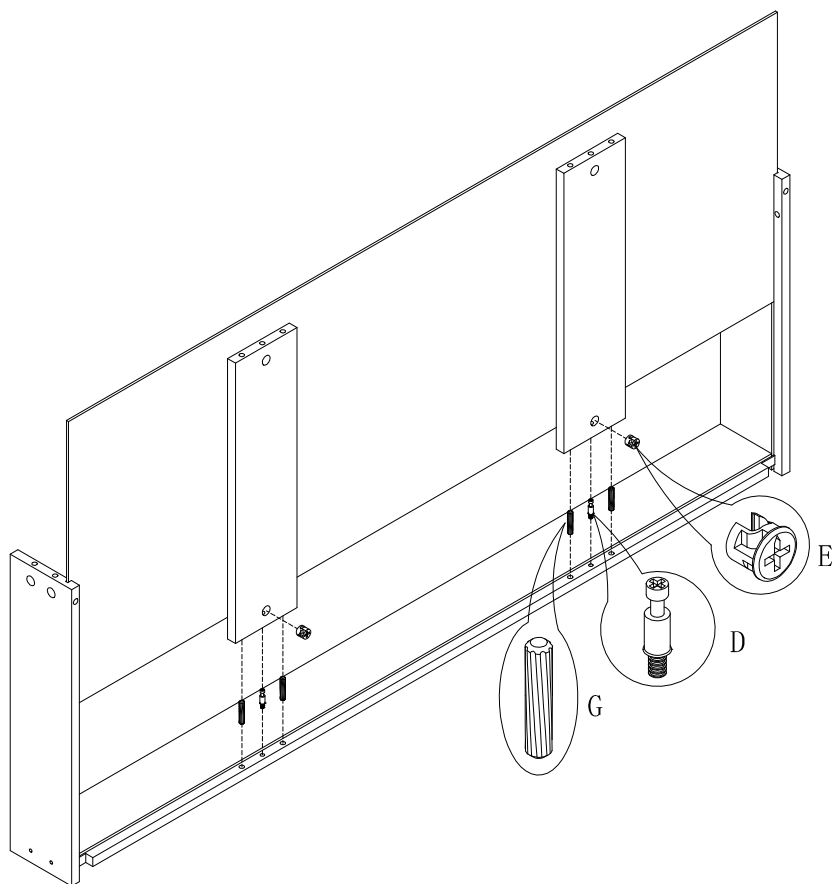
6





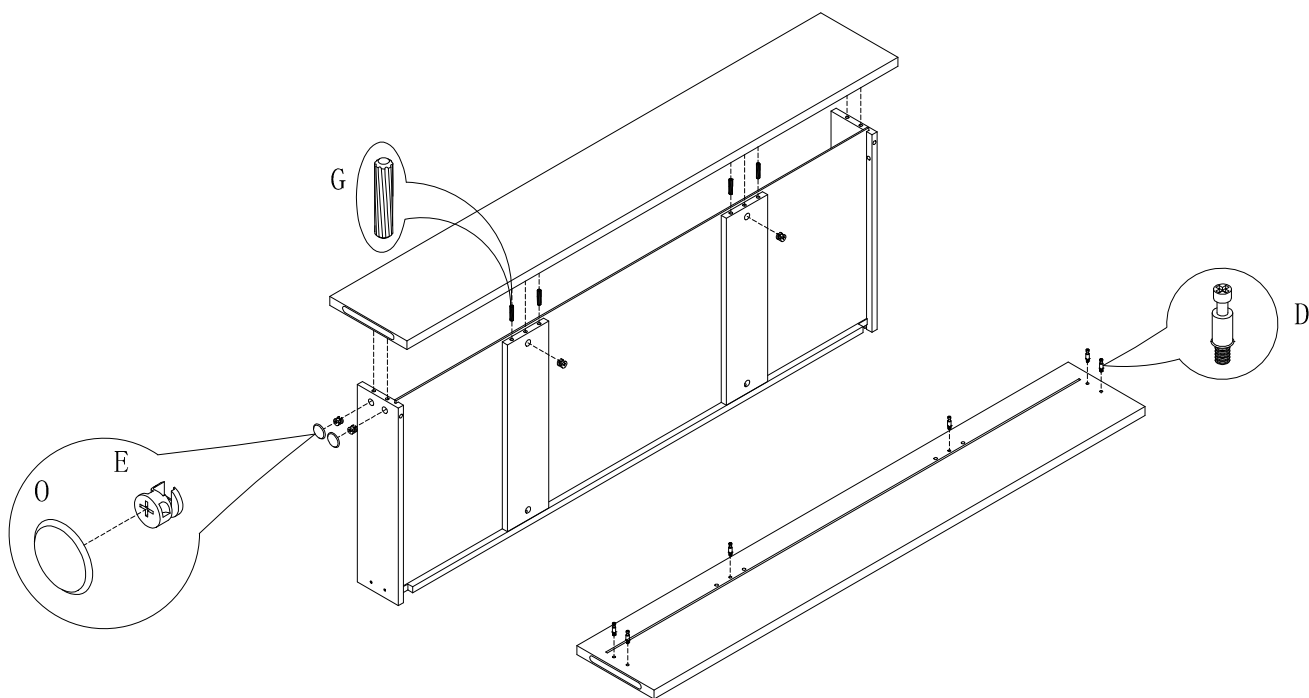
8

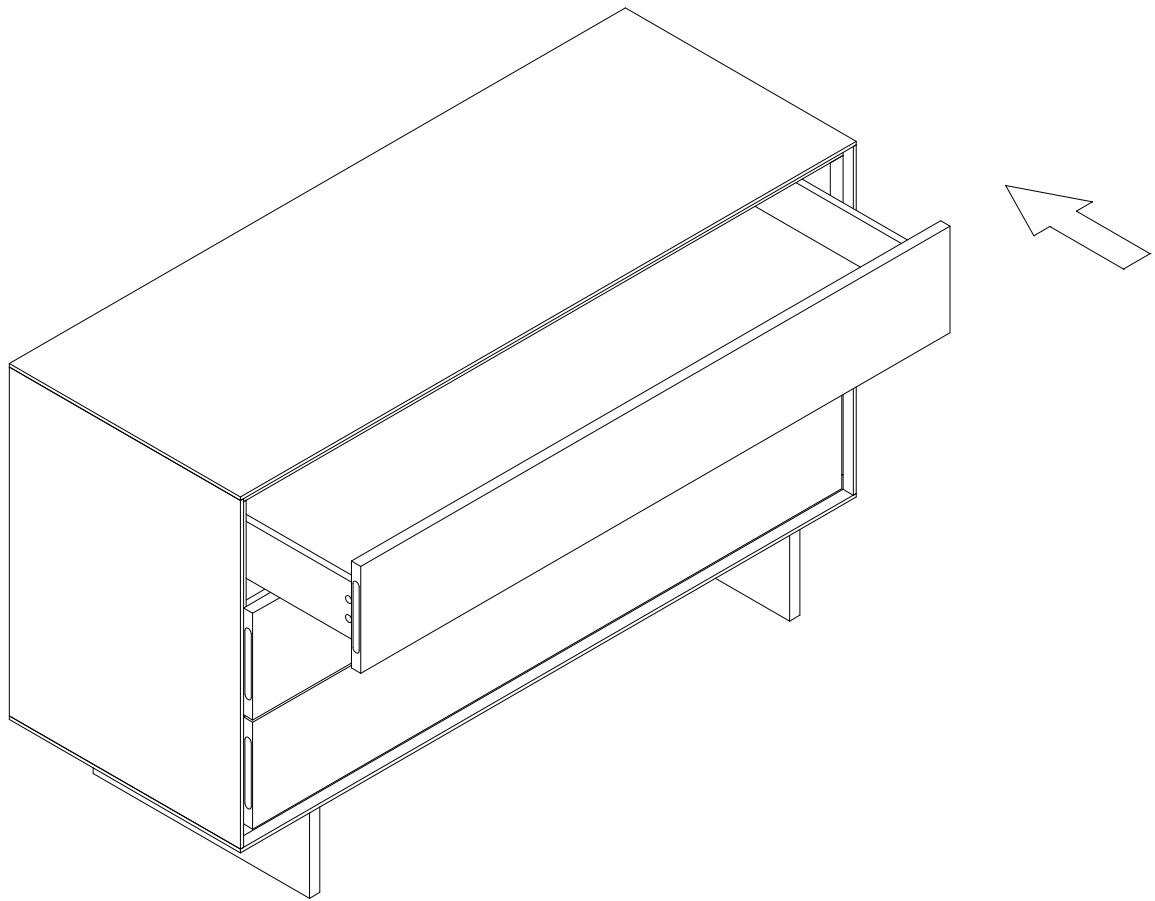




9

10





11
