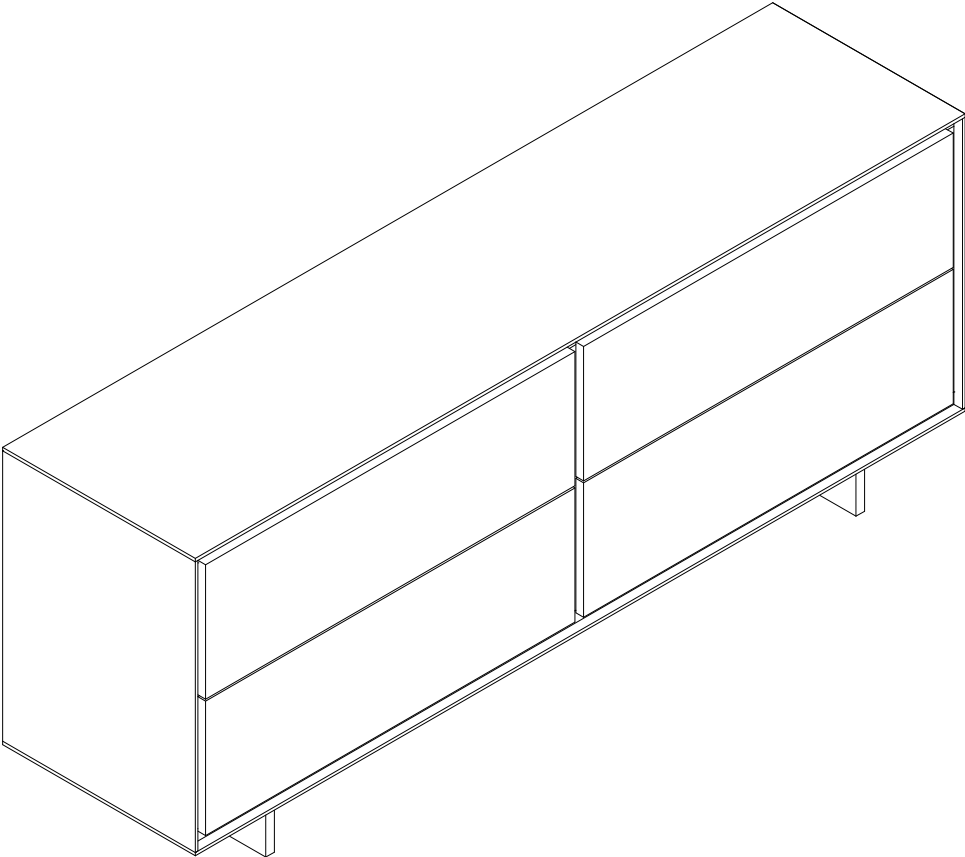


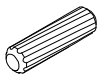
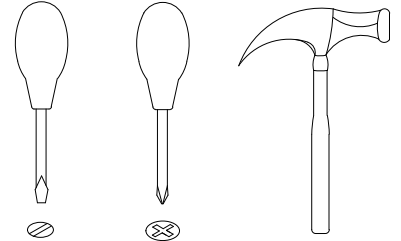
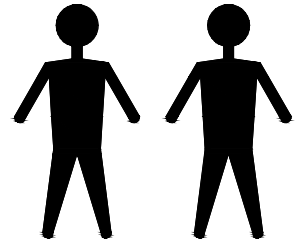


CP2202E4

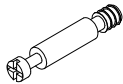


EAC

CP2202E4



A x16
Spec: $\varnothing 8 \times 30$



B x16
Spec: $\varnothing 7 \times L30$



C x16
Spec: $\varnothing 15 \times H12$



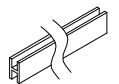
D x24
Spec: $\varnothing 6 \times L28$



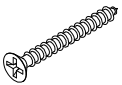
E x24
Spec: $\varnothing 12 \times H9$



F x16
Spec: $\varnothing 6 \times L8$



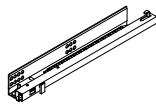
G x2
Spec: L856



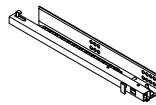
H x16
Spec: $\varnothing 3.5 \times L35$



I x48
Spec: $\varnothing 6 \times 30$



J x4
Spec: L400



L x12
Spec:



M x28
Spec:



N x16
Spec: $\varnothing 3.5 \times L16$



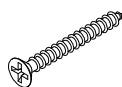
O x16
Spec: H13



Q x8
Spec: $3.8 \times L16$



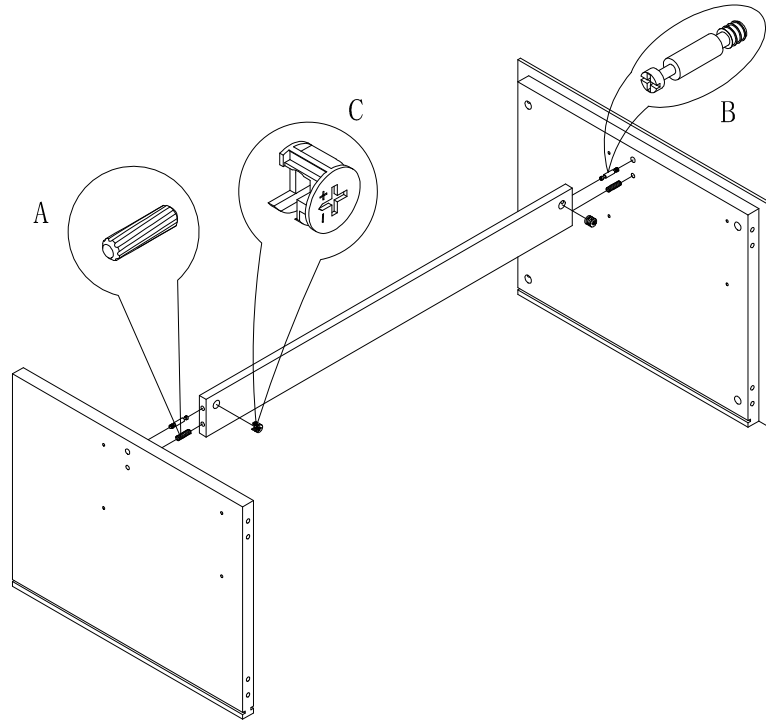
R x4
Spec: 15×15



S x5
Spec: $\varnothing 3.8 \times L50$

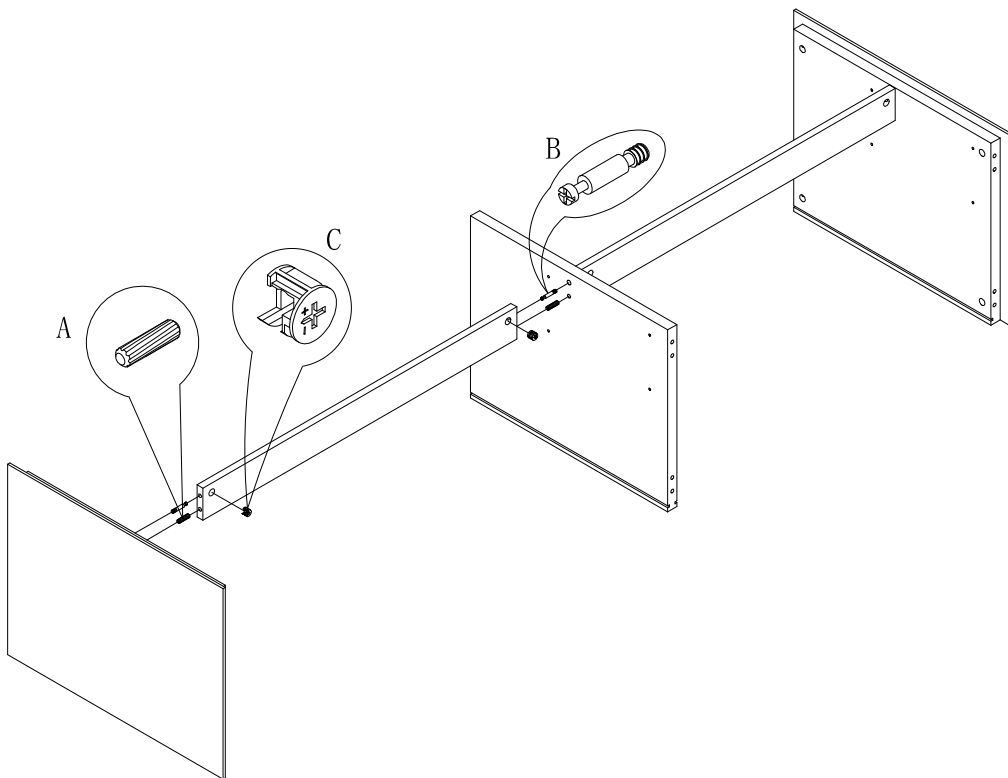


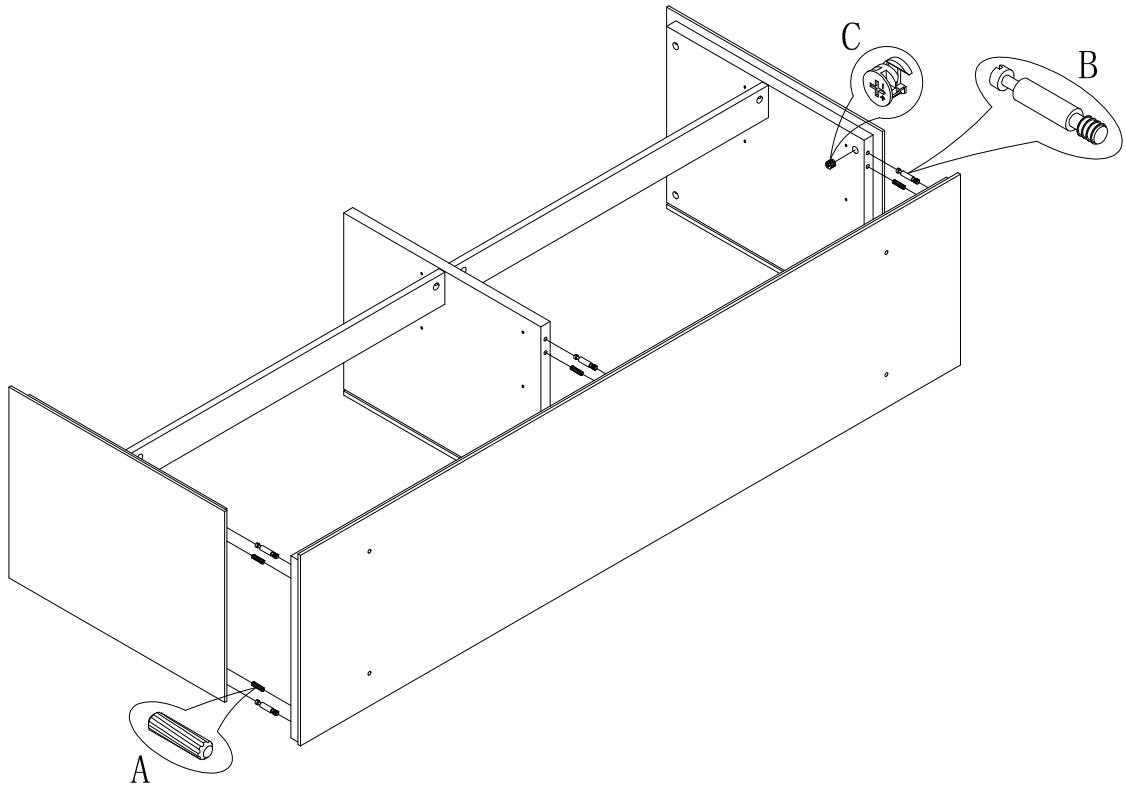
AAA x16
Spec: $\varnothing 3.8 \times L12$



1

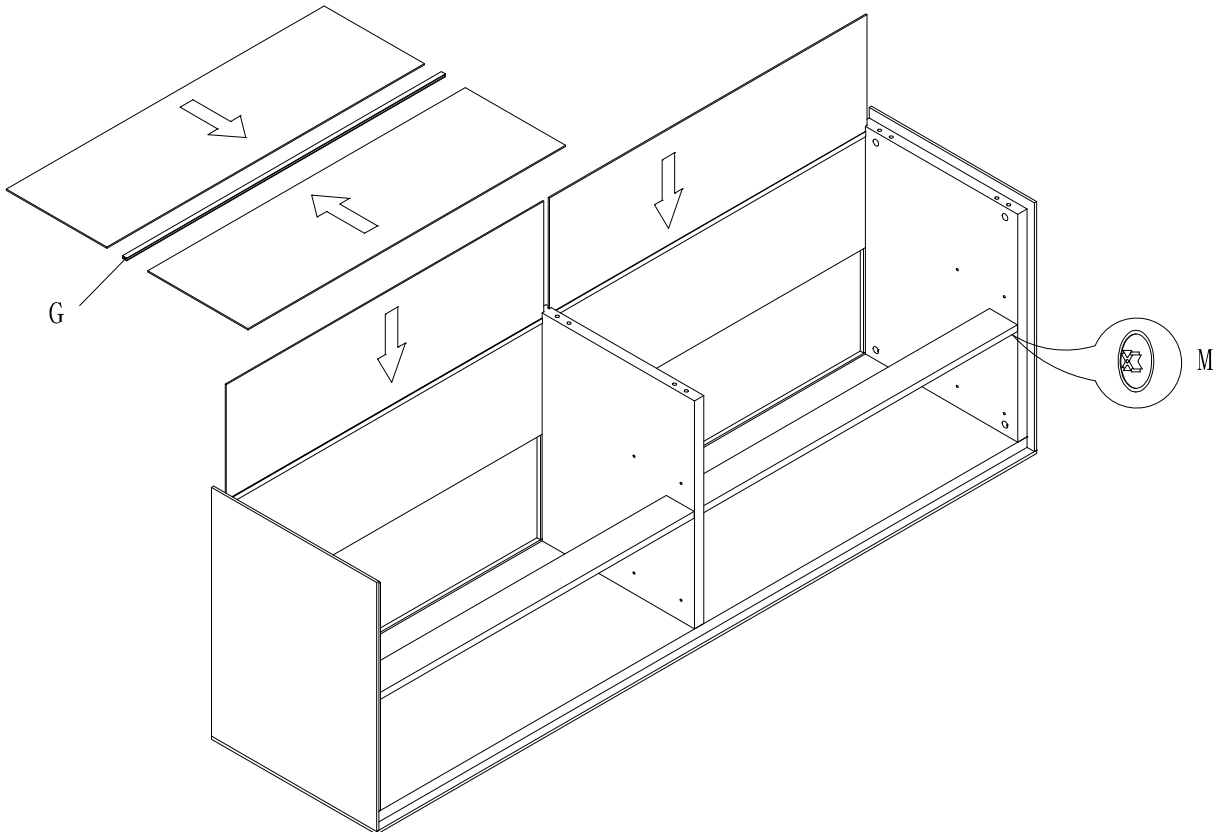
2

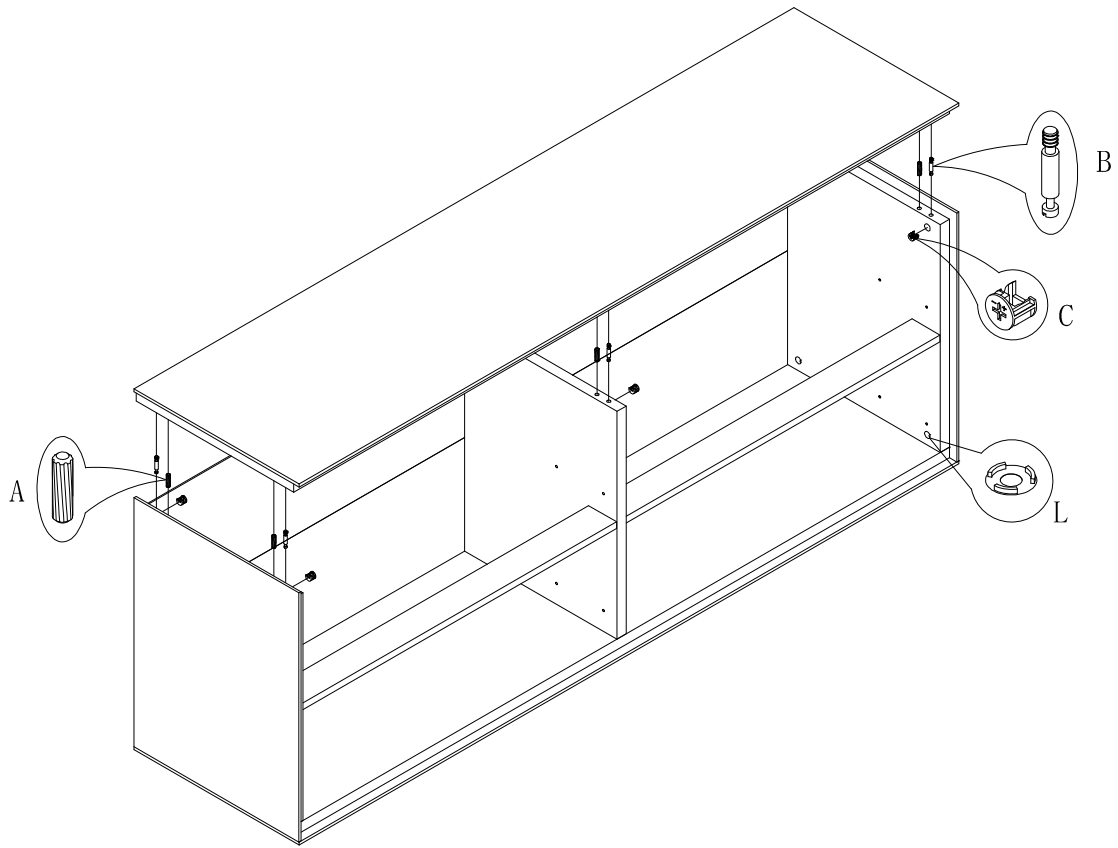




3

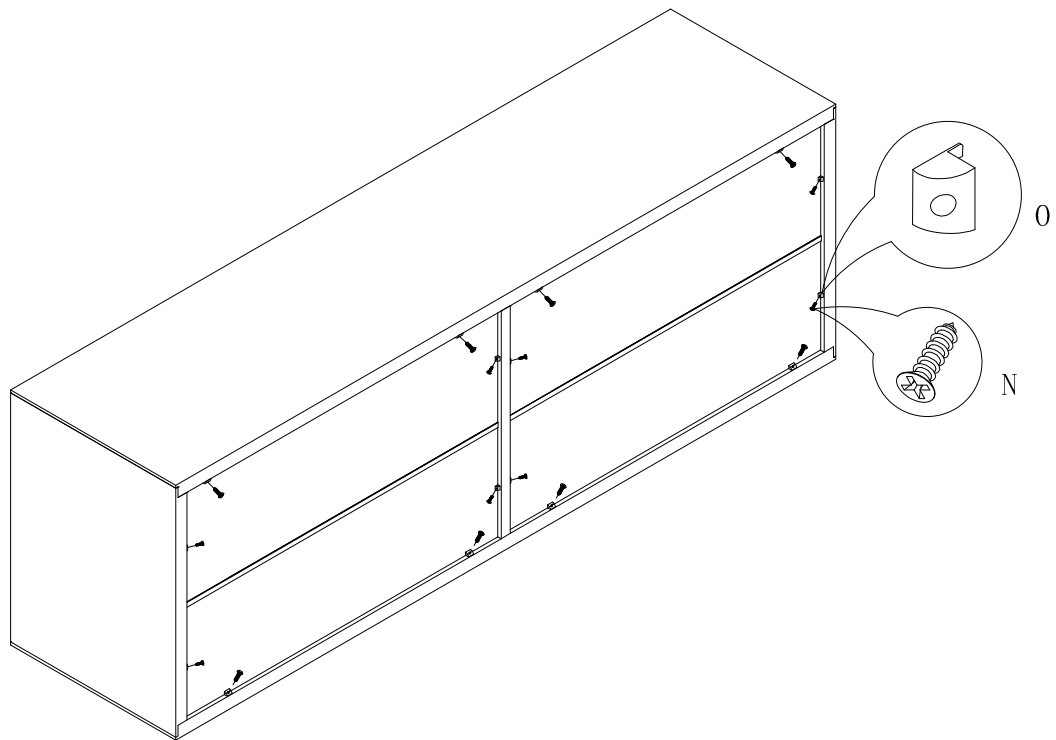
4

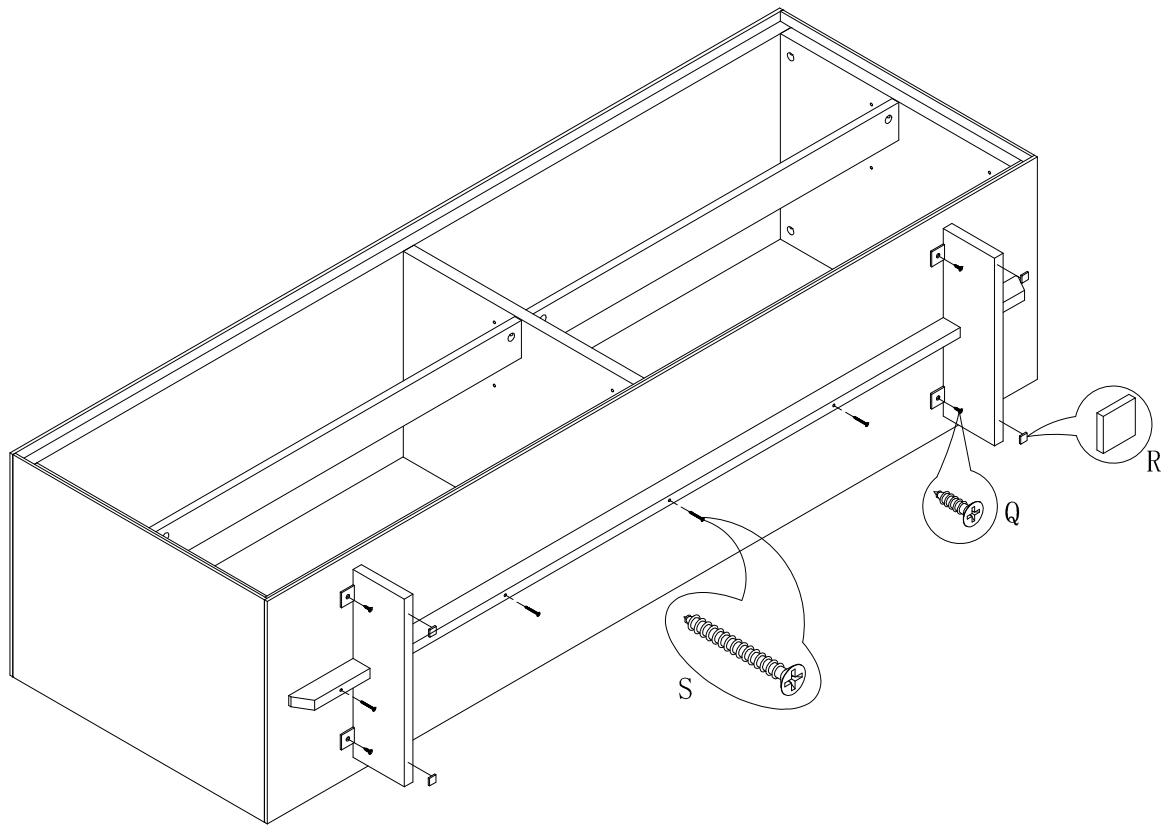




5

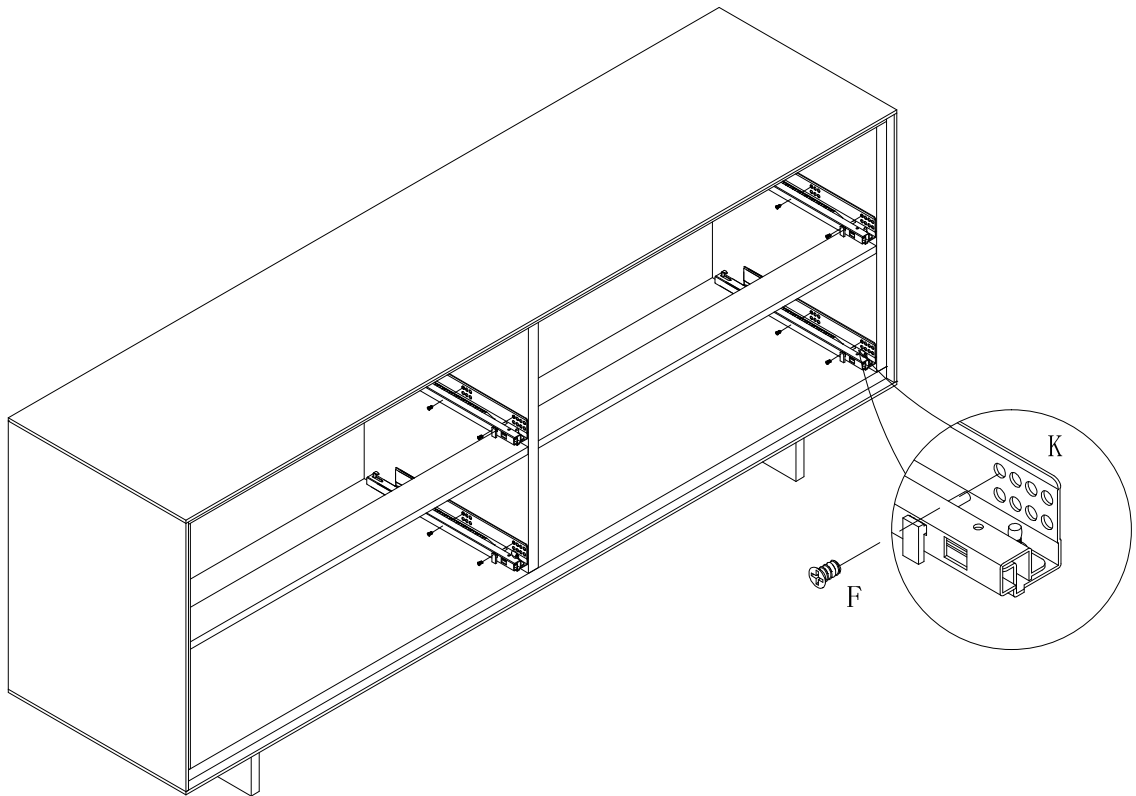
6

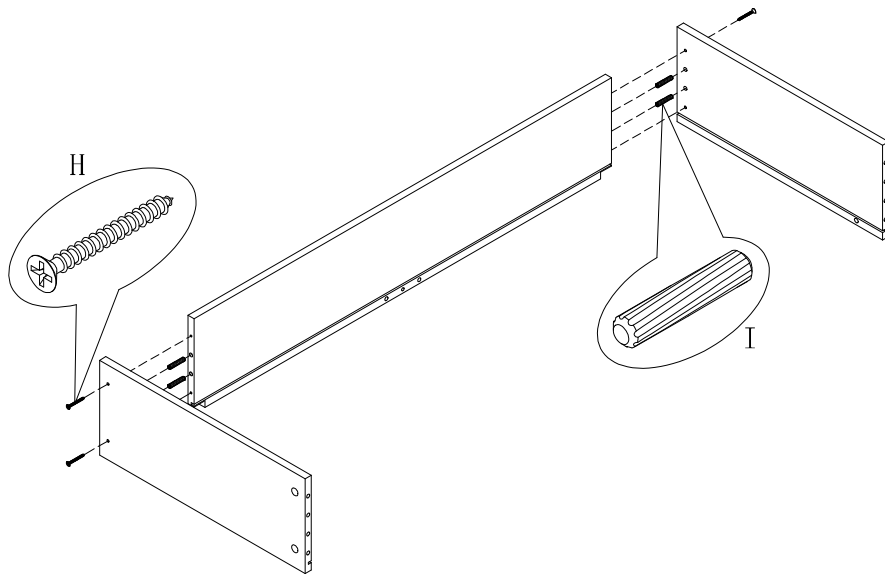




7

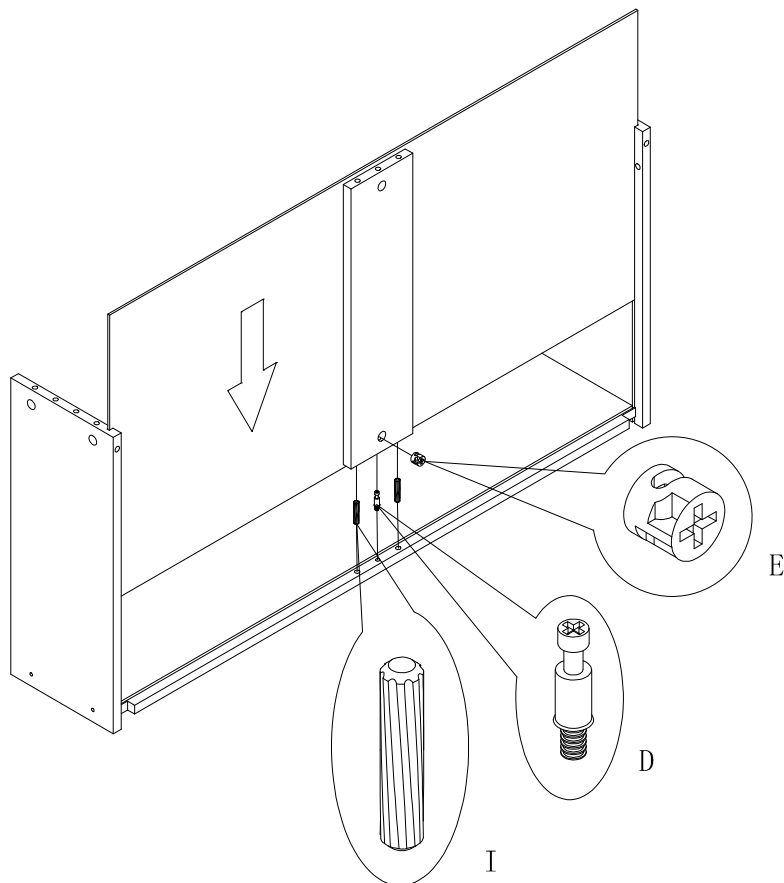
8

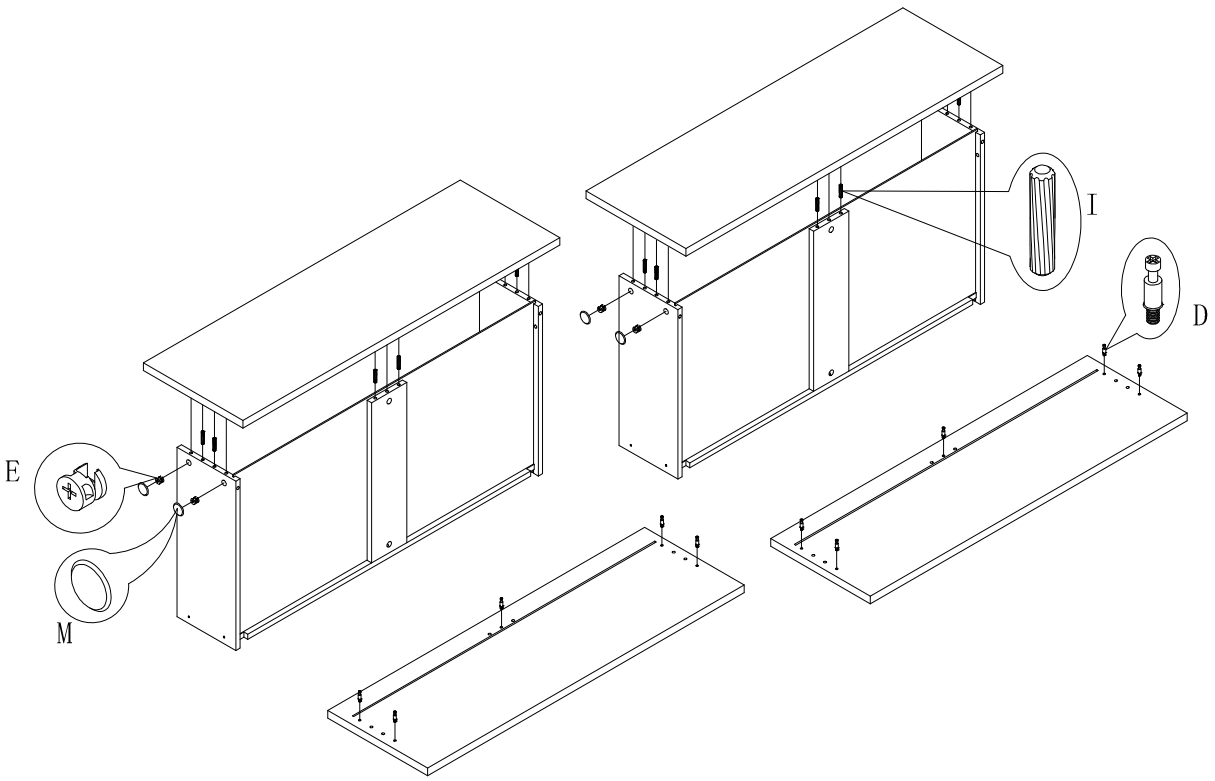




9

10





11

12

