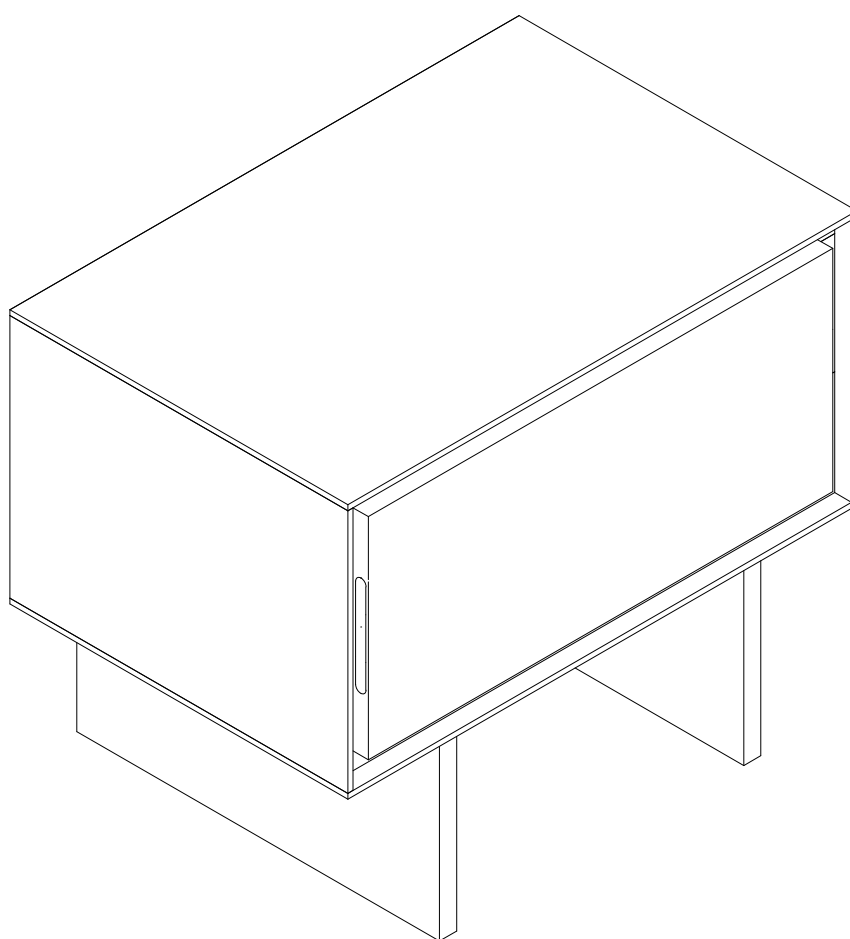


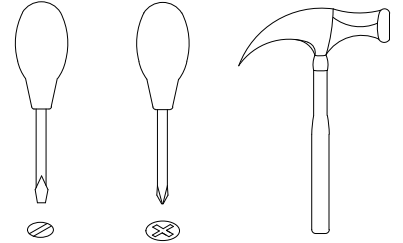
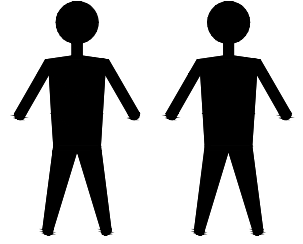
**MOD**  
interiors

# CP2202H3

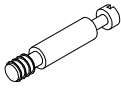


**EAC**

# # CP2202H3



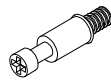
A x8  
Spec:  $\varnothing 8 \times 30$



B x8  
Spec:  $\varnothing 7 \times L30$



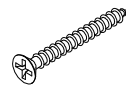
C x8  
Spec:  $\varnothing 15 \times H12$



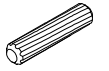
D x4  
Spec:  $\varnothing 6 \times L28$



E x4  
Spec:  $\varnothing 12 \times H9$



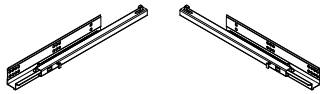
F x4  
Spec:  $\varnothing 3.5 \times L35$



G x4  
Spec:  $\varnothing 6 \times 30$



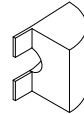
H x6  
Spec:  $\varnothing 6 \times L8$



I x1  
Spec: L350



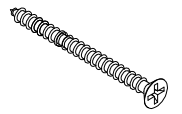
J x6  
Spec:  $\varnothing 3.5 \times L16$



K x6  
Spec: H13



L x8  
Spec:  $3.8 \times L16$



M x3  
Spec:  $\varnothing 3.5 \times 50$



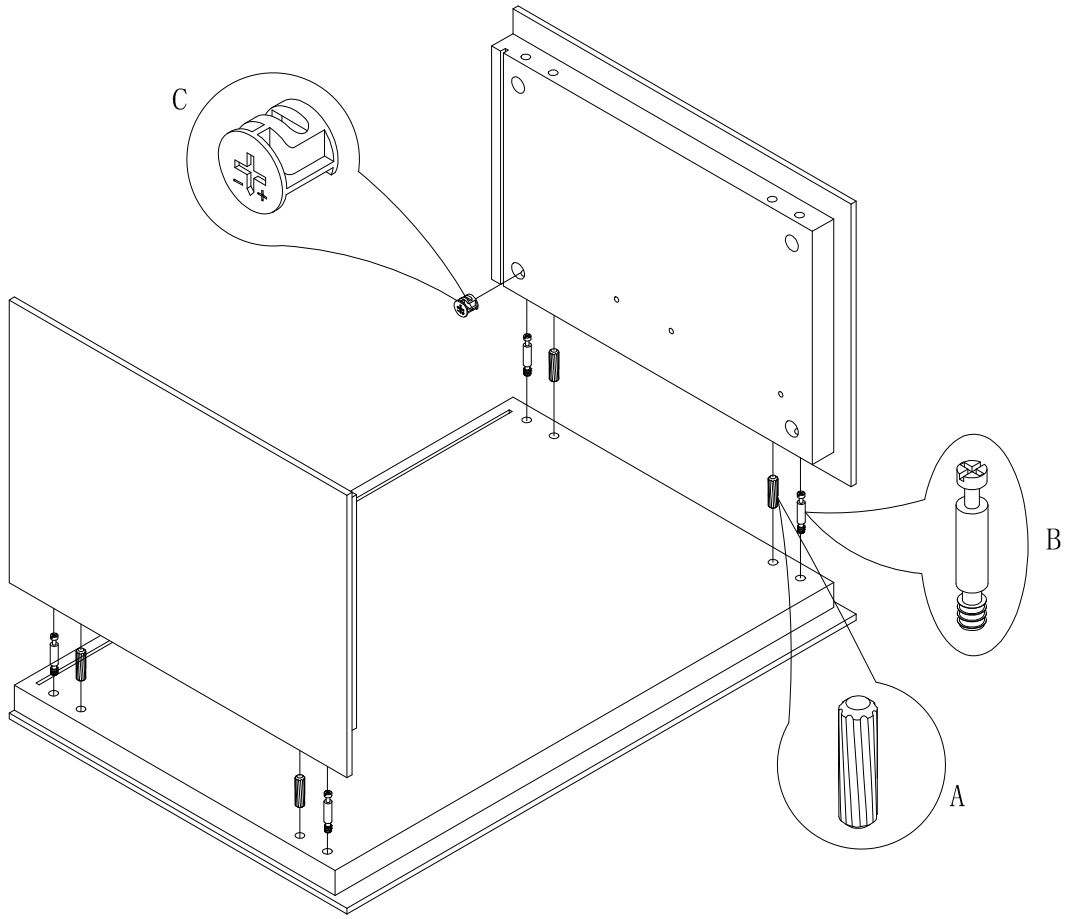
N x8  
Spec:



O x4  
Spec:

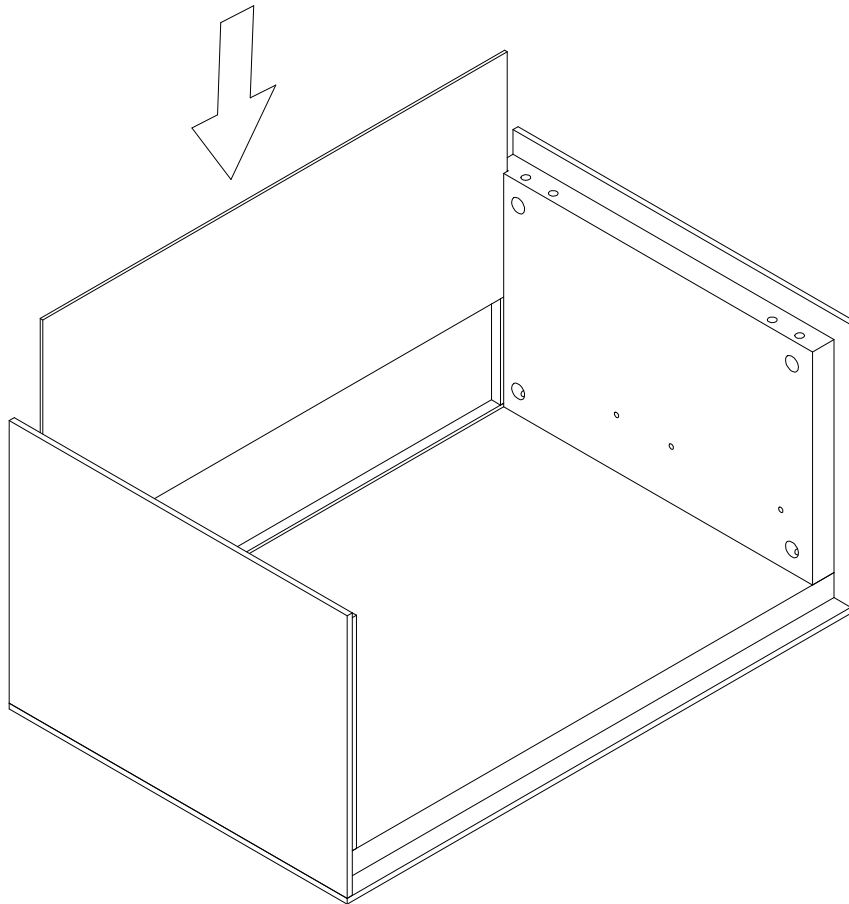


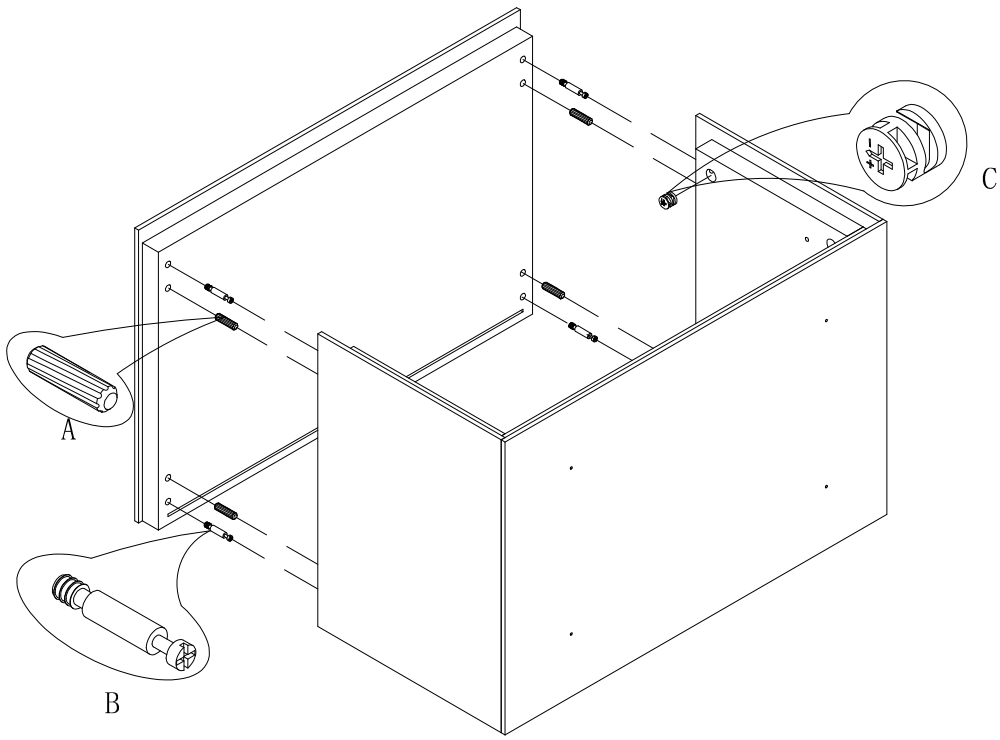
AAA x4  
Spec:  $\varnothing 3.8 \times L12$



1

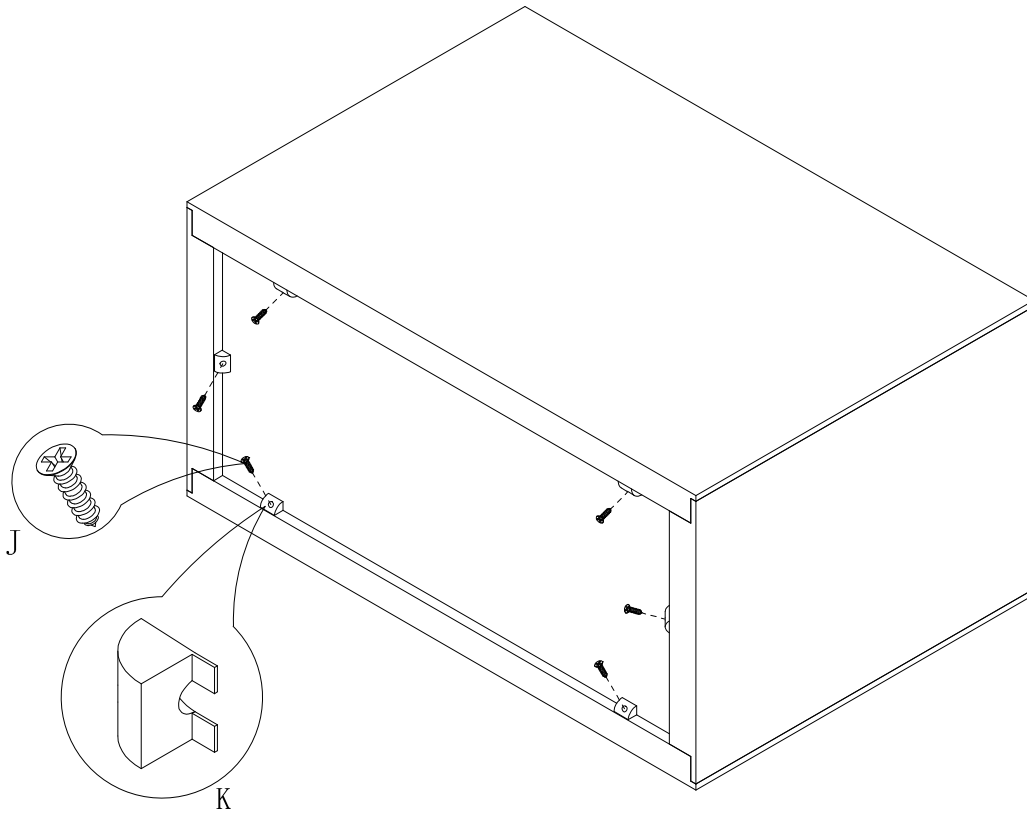
2

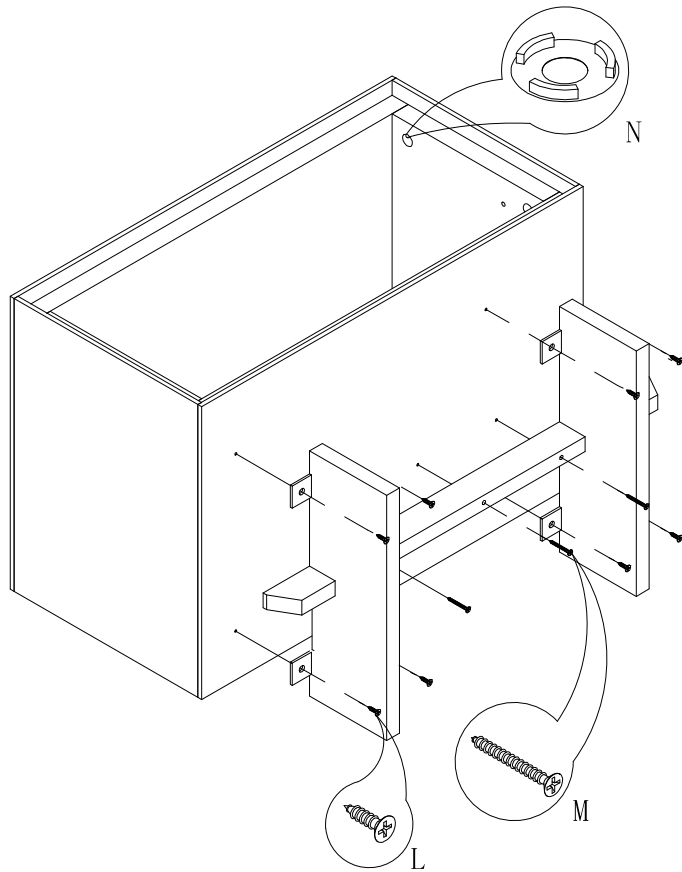




3

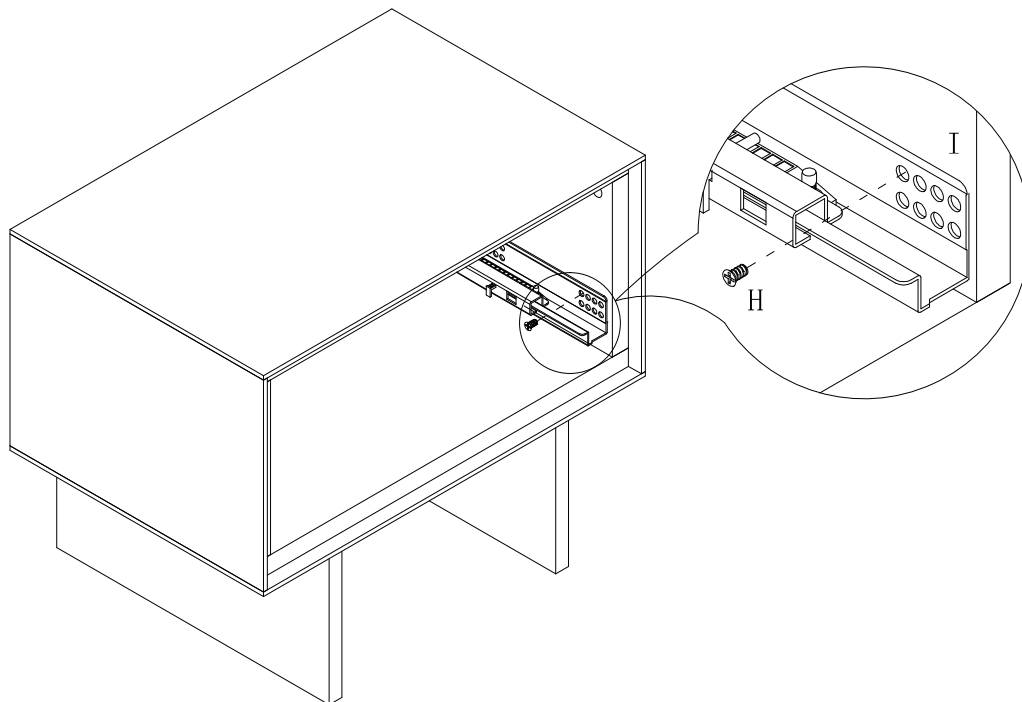
4

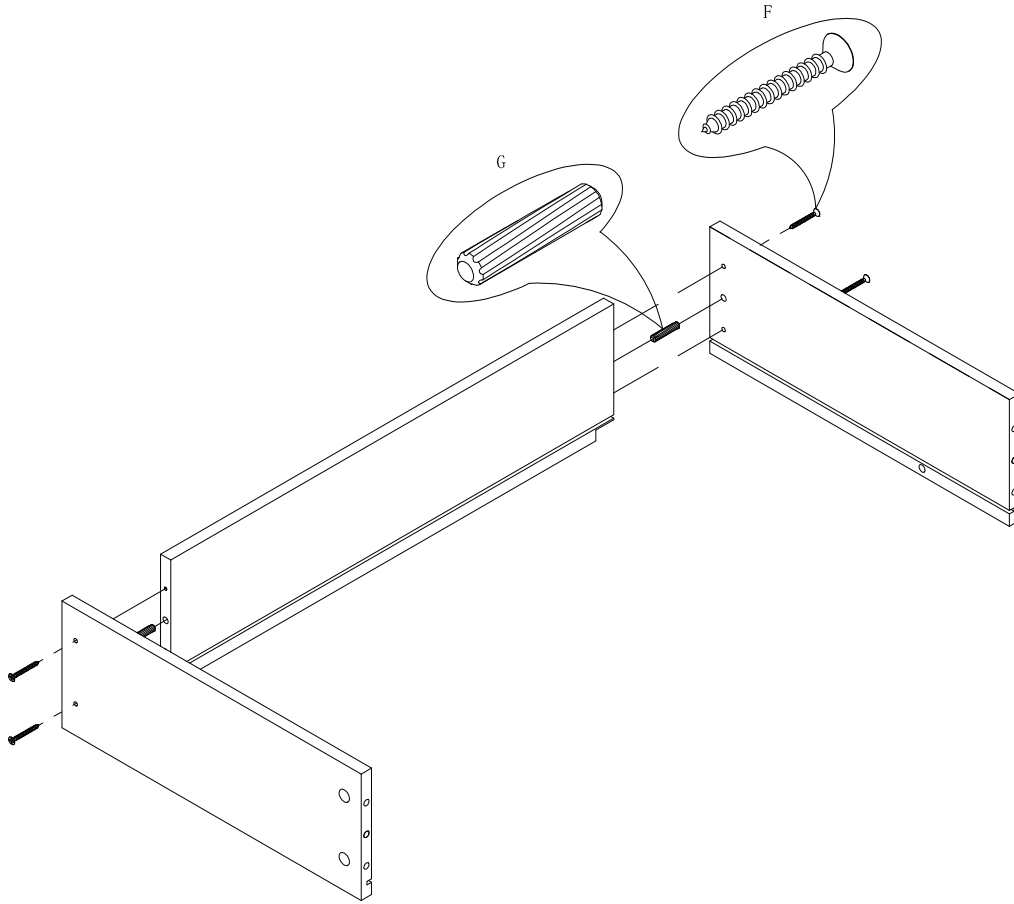




5

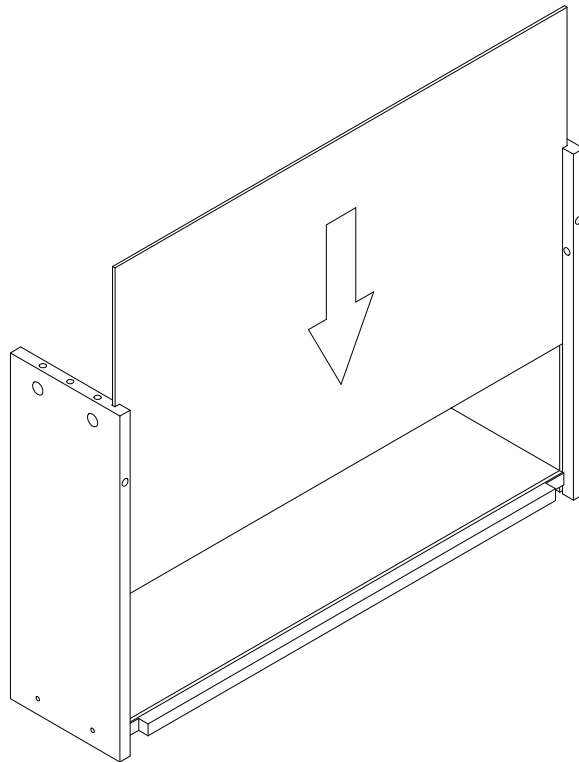
6

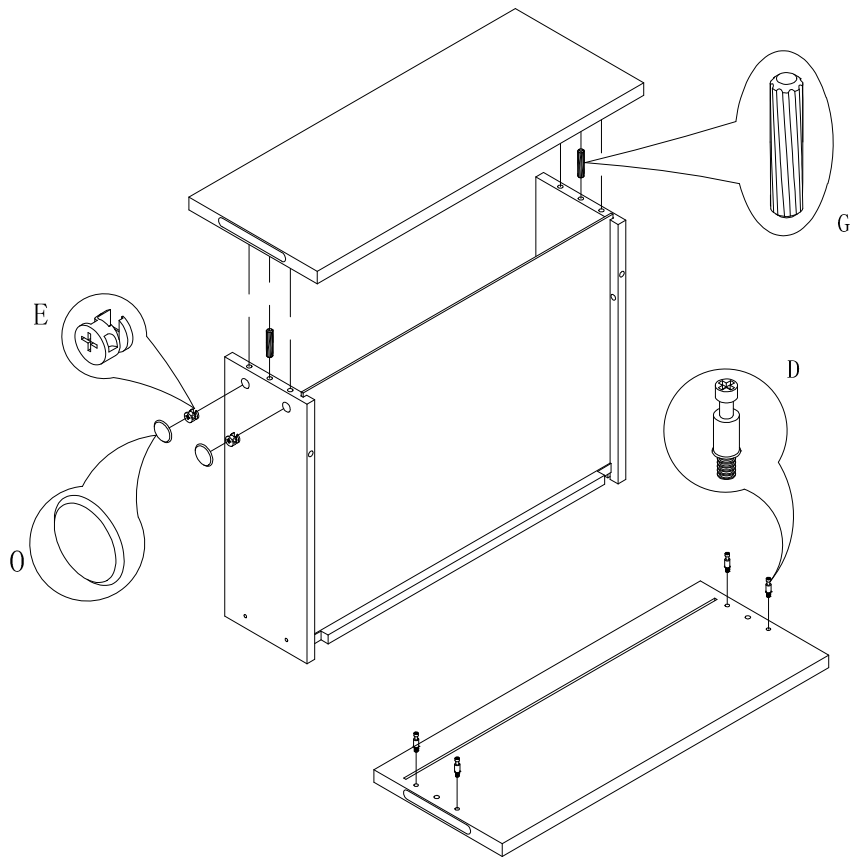




7

8





9

10

