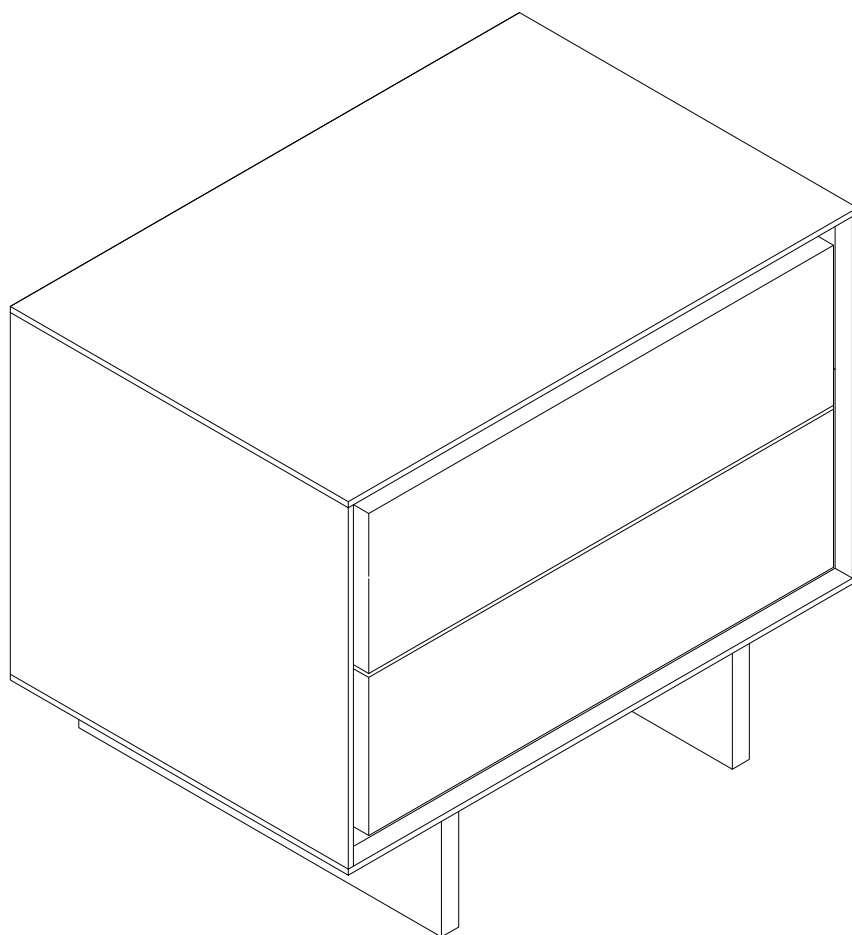


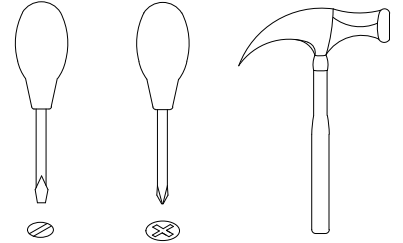
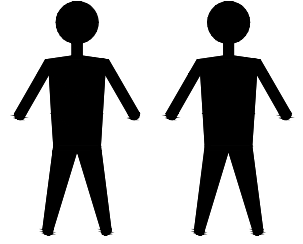
**MOD**  
interiors

# CP2202H5

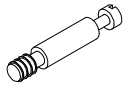


**EAC**

# # CP2202H5



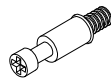
A x8  
Spec:  $\phi 8 \times 30$



B x8  
Spec:  $\phi 7 \times L30$



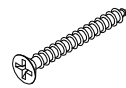
C x8  
Spec:  $\phi 15 \times H12$



D x8  
Spec:  $\phi 6 \times L28$



E x8  
Spec:  $\phi 12 \times H9$



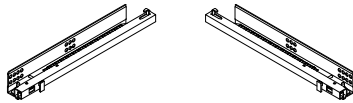
F x8  
Spec:  $\phi 3.5 \times L35$



G x8  
Spec:



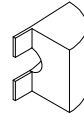
H x8  
Spec:  $\phi 6 \times L8$



I x2  
Spec: L350



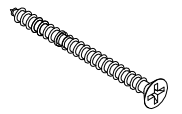
J x6  
Spec:  $\phi 3.5 \times L16$



K x6  
Spec: H13



L x8  
Spec:  $3.8 \times L16$



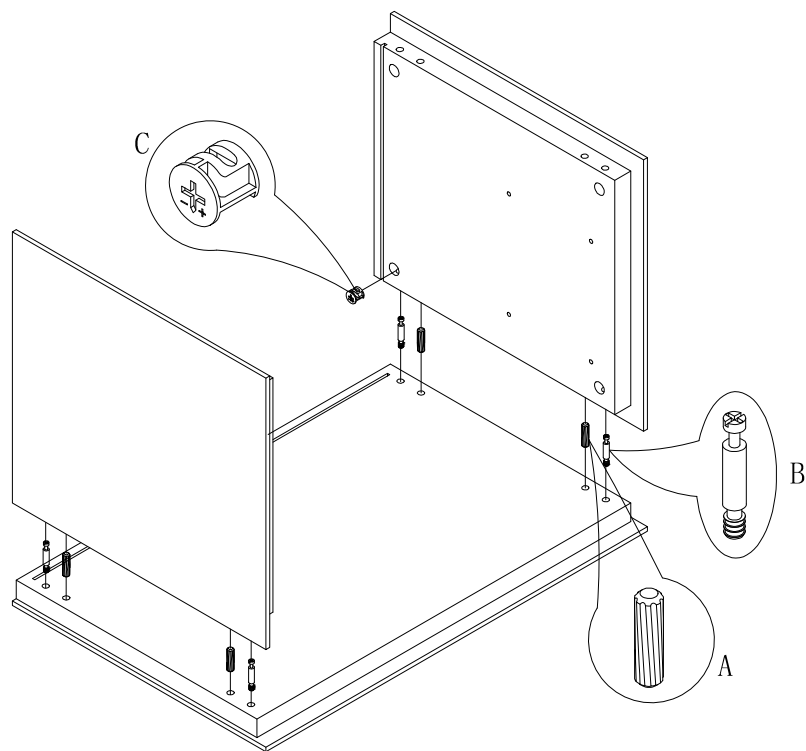
M x3  
Spec:  $\phi 3.5 \times 50$



N x8  
Spec:

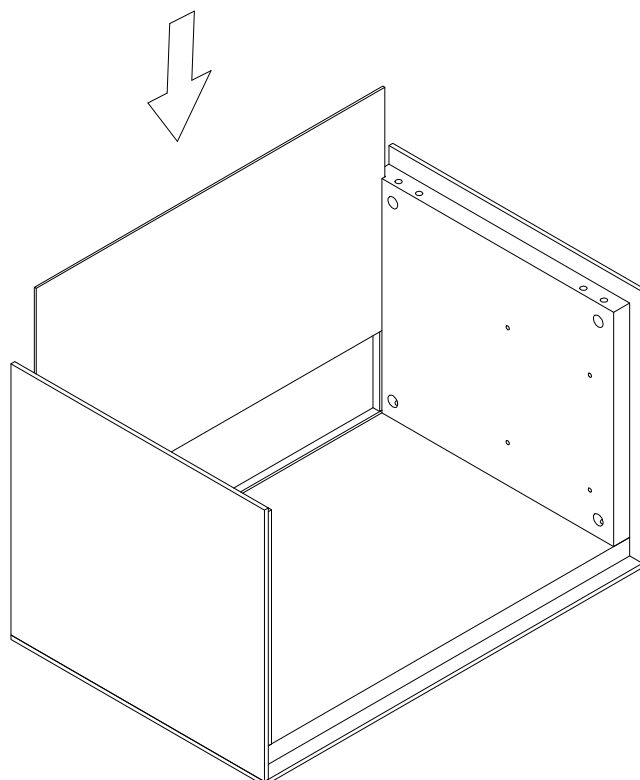


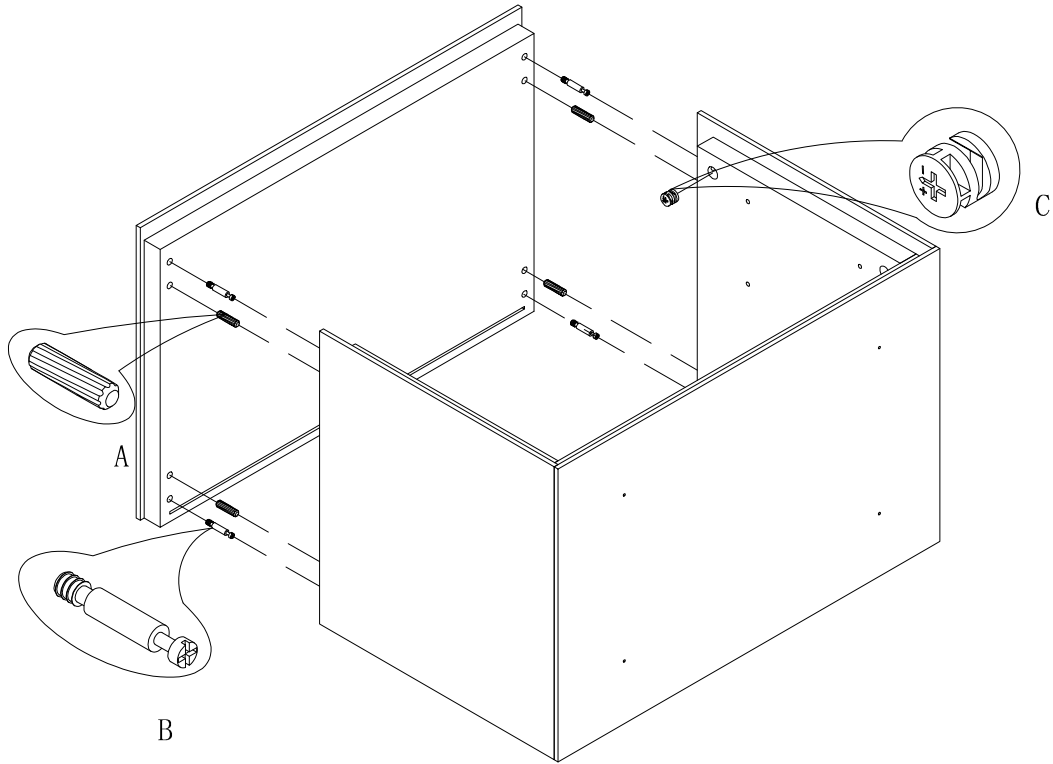
AAA x8  
Spec:  $\phi 3.8 \times L12$



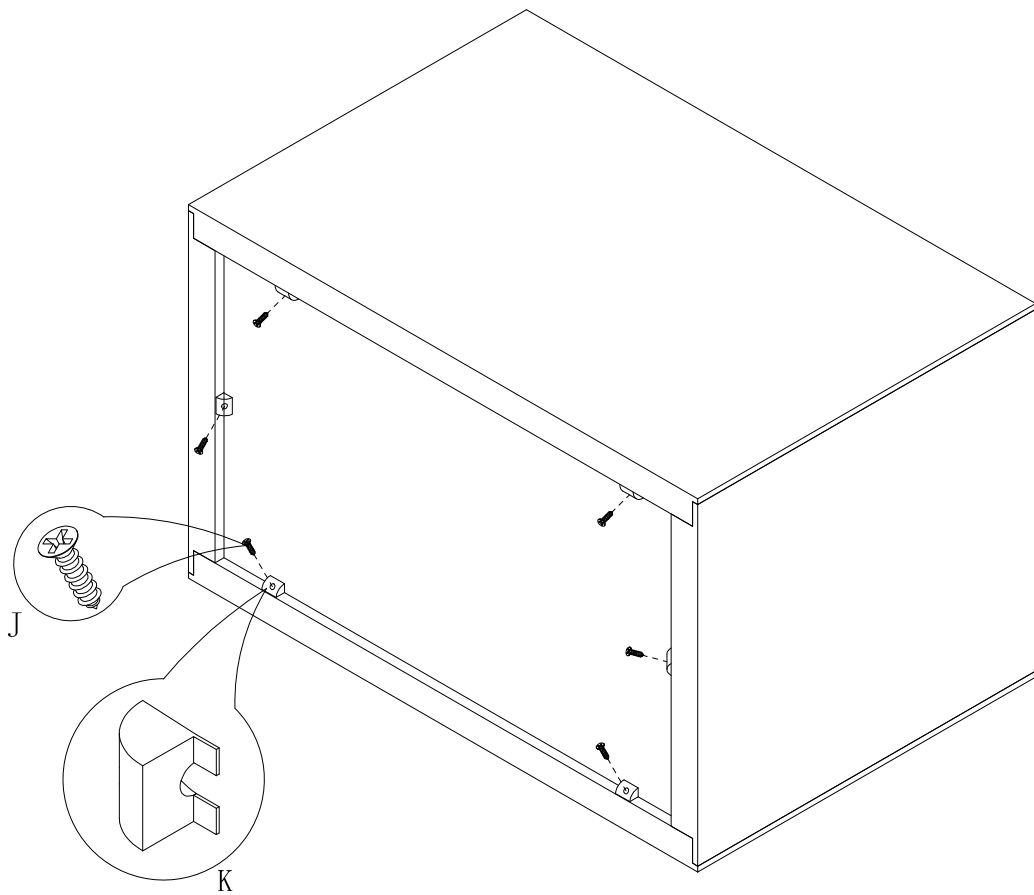
1

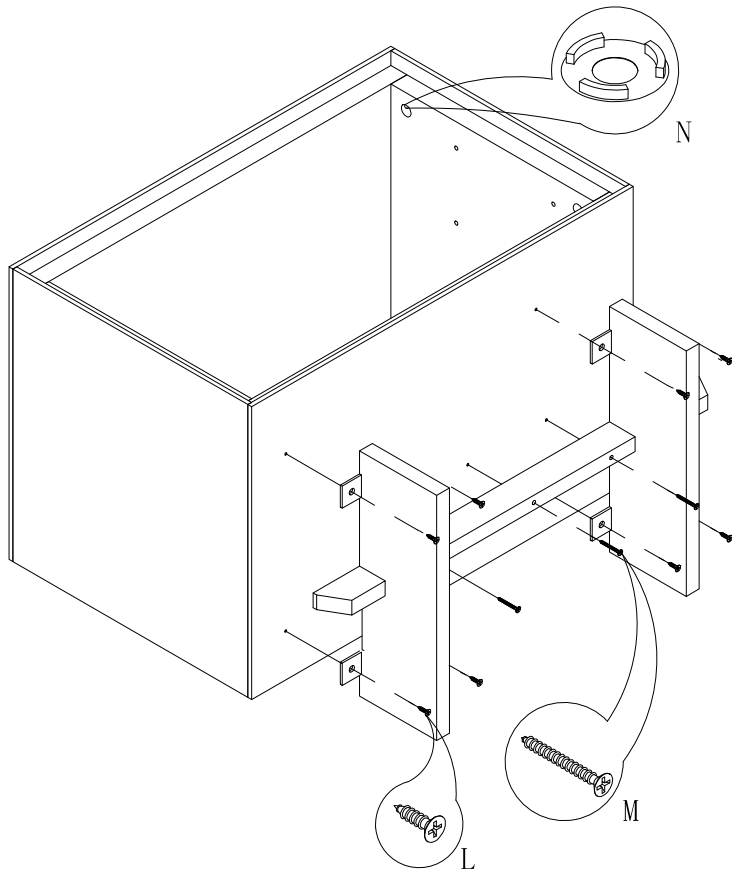
2





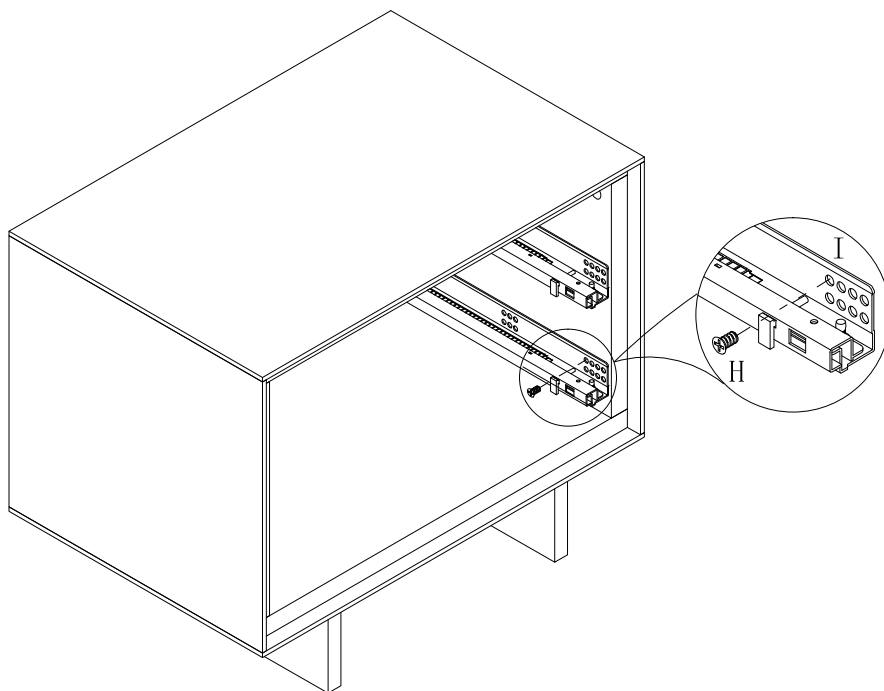
4

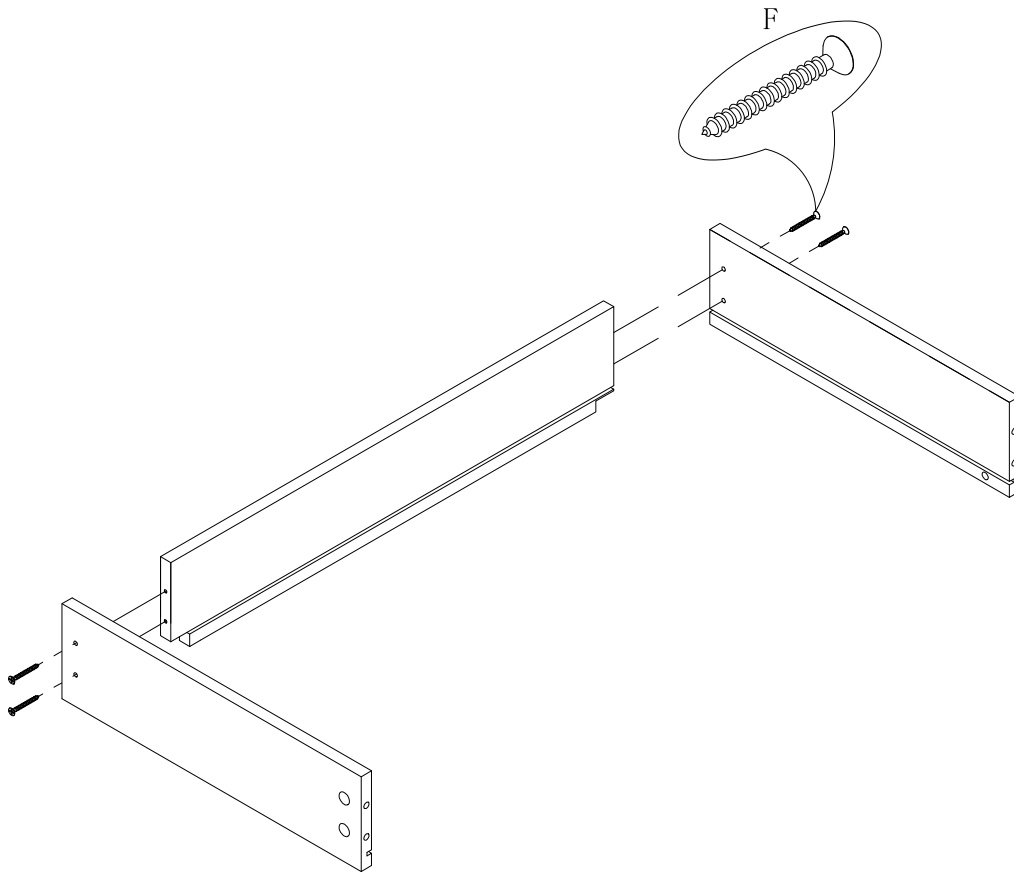




5

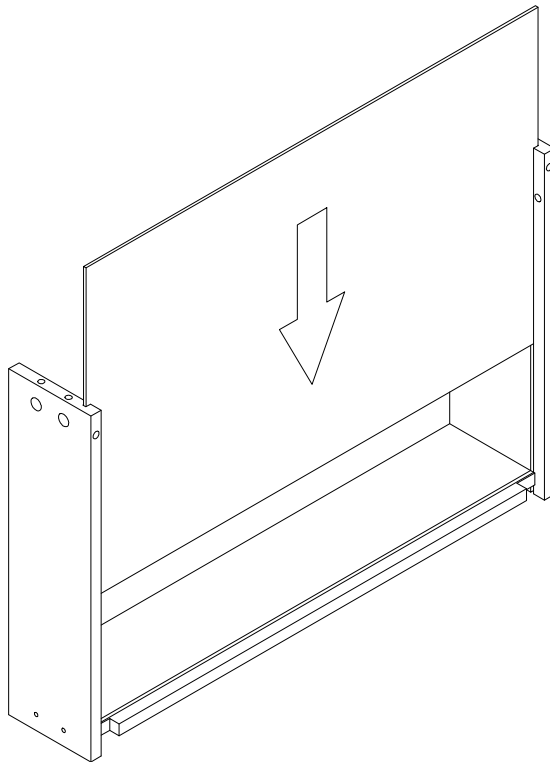
6

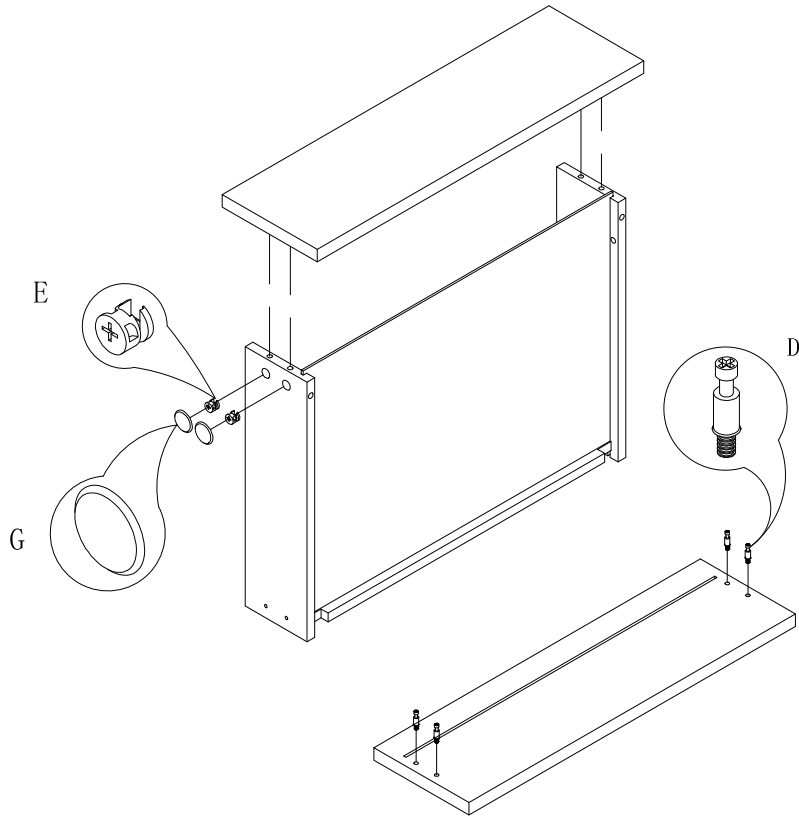




7

8





9

10

