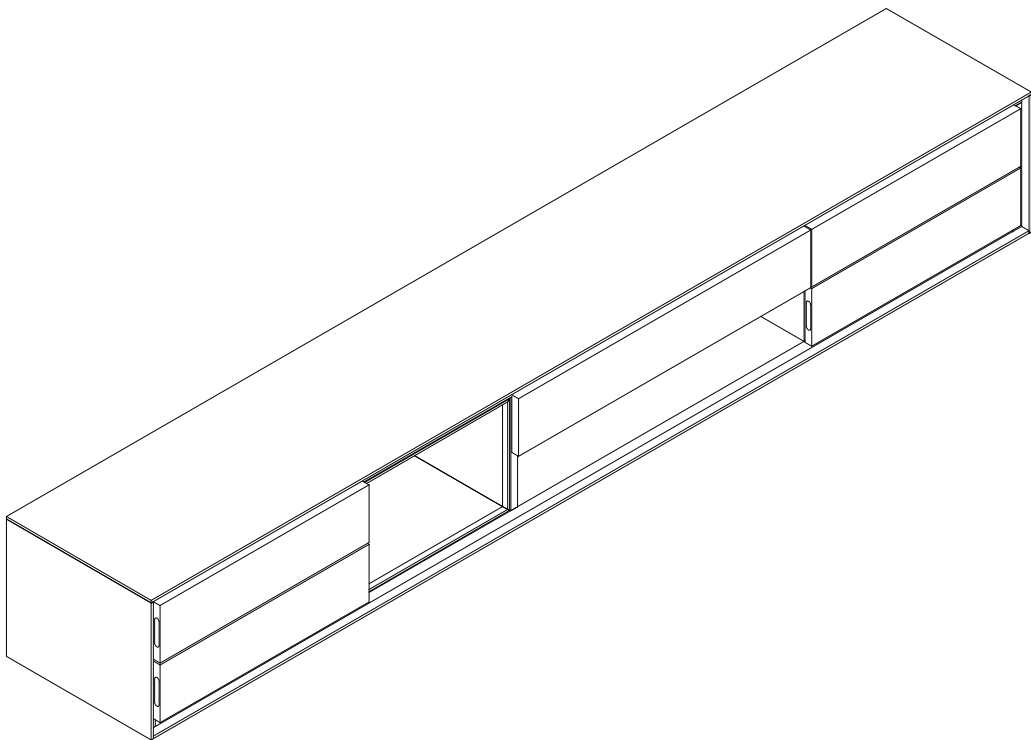


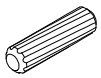
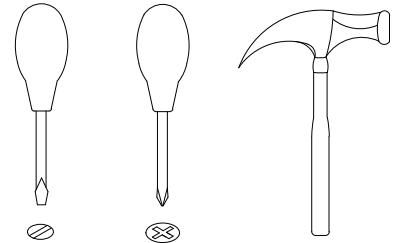
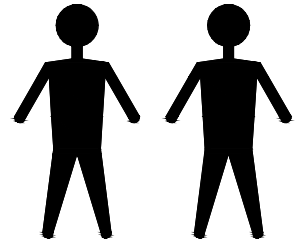


CP2202TV-A

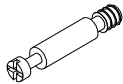


EAC

CP2202TV-A



A x26
Spec: $\phi 8 \times 30$



B x4
Spec: $\phi 7 \times L30$



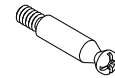
C x6
Spec: $\phi 15 \times H12$



D x22
Spec: $\phi 6 \times L28$



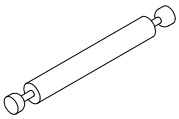
E x22
Spec: $\phi 12 \times H9$



F x20
Spec: $\phi 7 \times L35$



G x20
Spec: $\phi 10 \times 14$



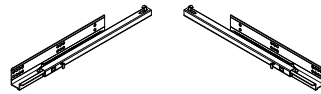
H x1
Spec: $\phi 7 \times L66$



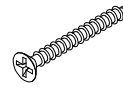
I x30
Spec: $\phi 6 \times L8$



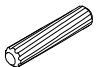
J x20
Spec: $\phi 10 \times 1$



K x5
Spec: L300



L x20
Spec: $\phi 3.5 \times L35$



M x4
Spec: $\phi 6 \times 30$



O x28
Spec:



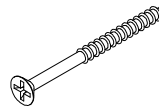
P x8
Spec: $\phi 3.5 \times L16$



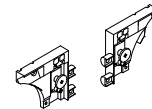
Q x8
Spec: H13



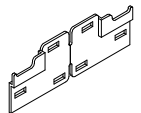
R x9
Spec: $\phi 8 \times L50$



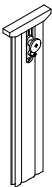
S x9
Spec: $\phi 4 \times L60$



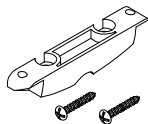
T x1
Spec:



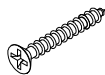
U x2
Spec:



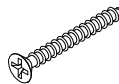
V x1
Spec: L261



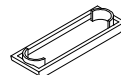
W x1
Spec:



X x6
Spec: $\phi 3.5 \times L25$



Y x4
Spec: $\phi 4 \times L32$



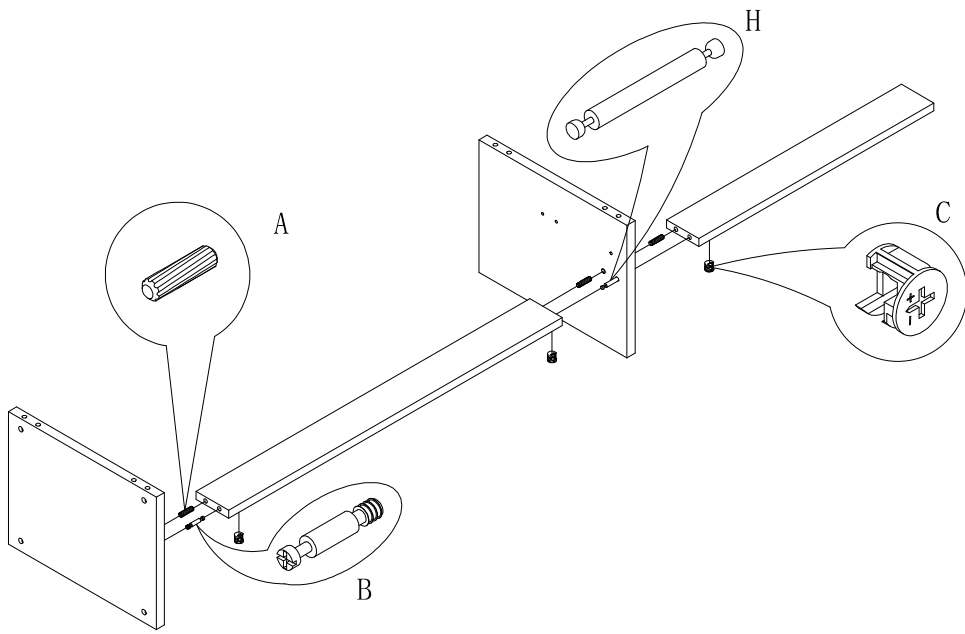
Z x3
Spec: $56 \times 18 \times 7$



Z1 x1
Spec:

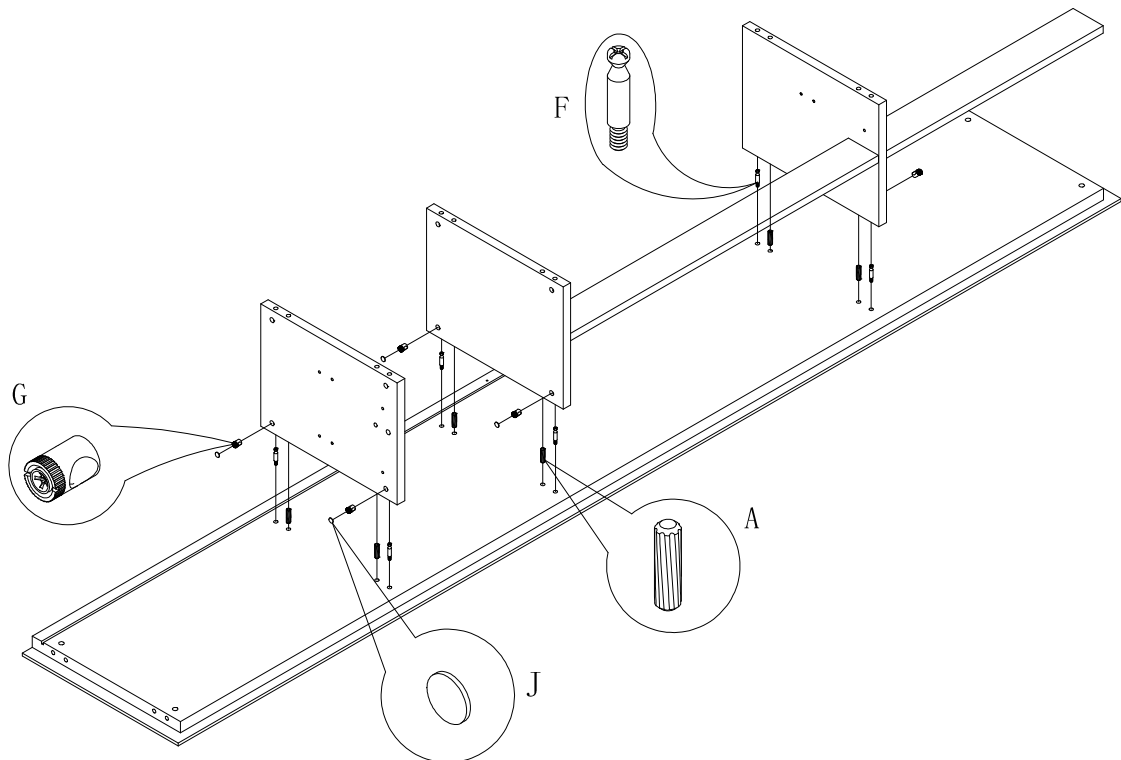


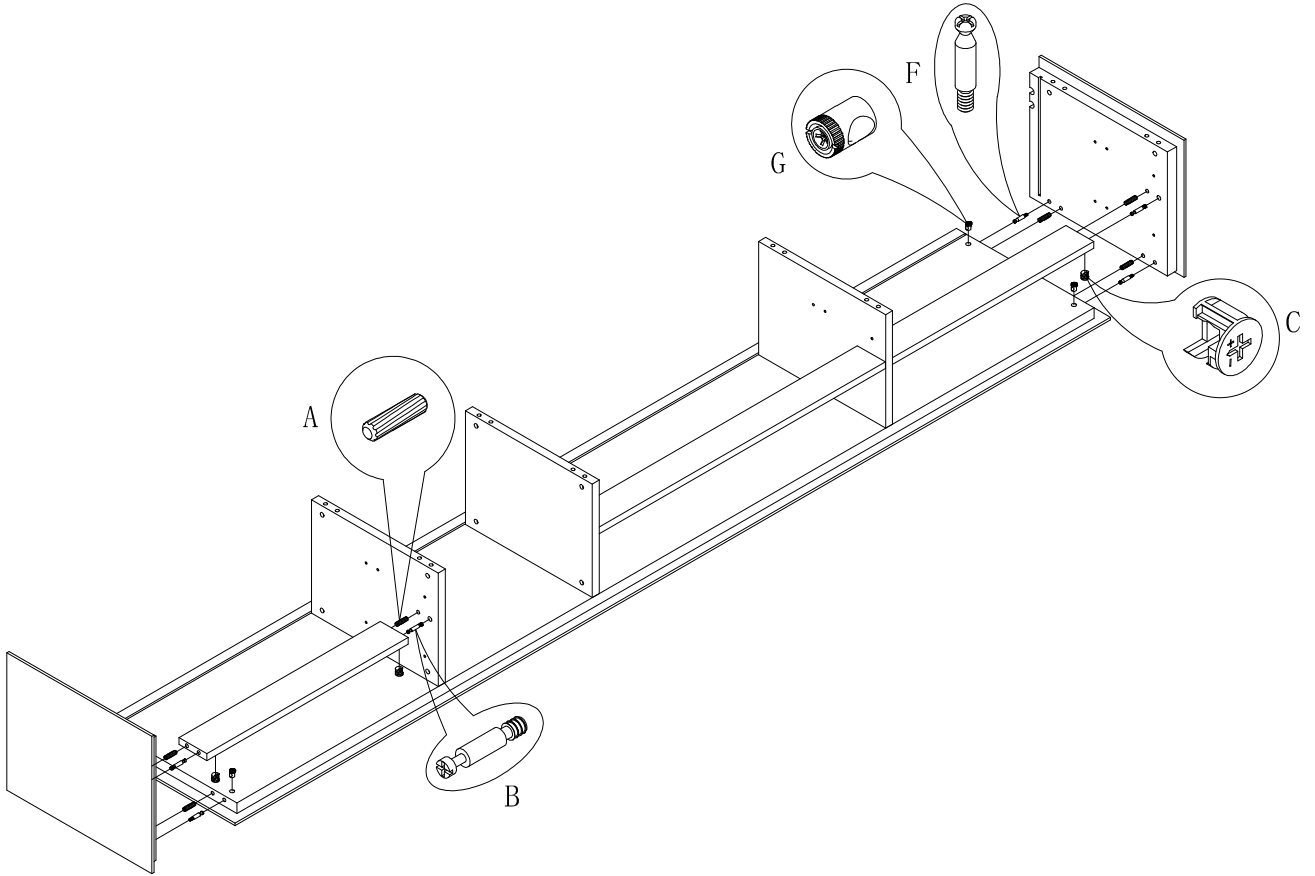
AAA x20
Spec: $\phi 3.8 \times L12$



1

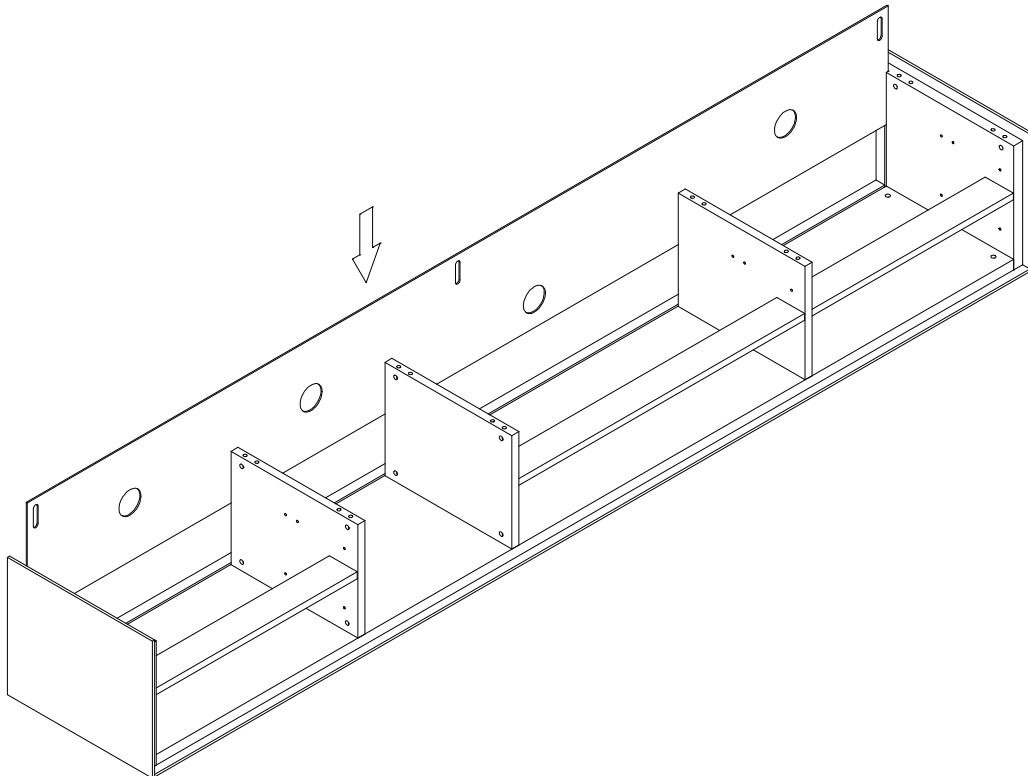
2

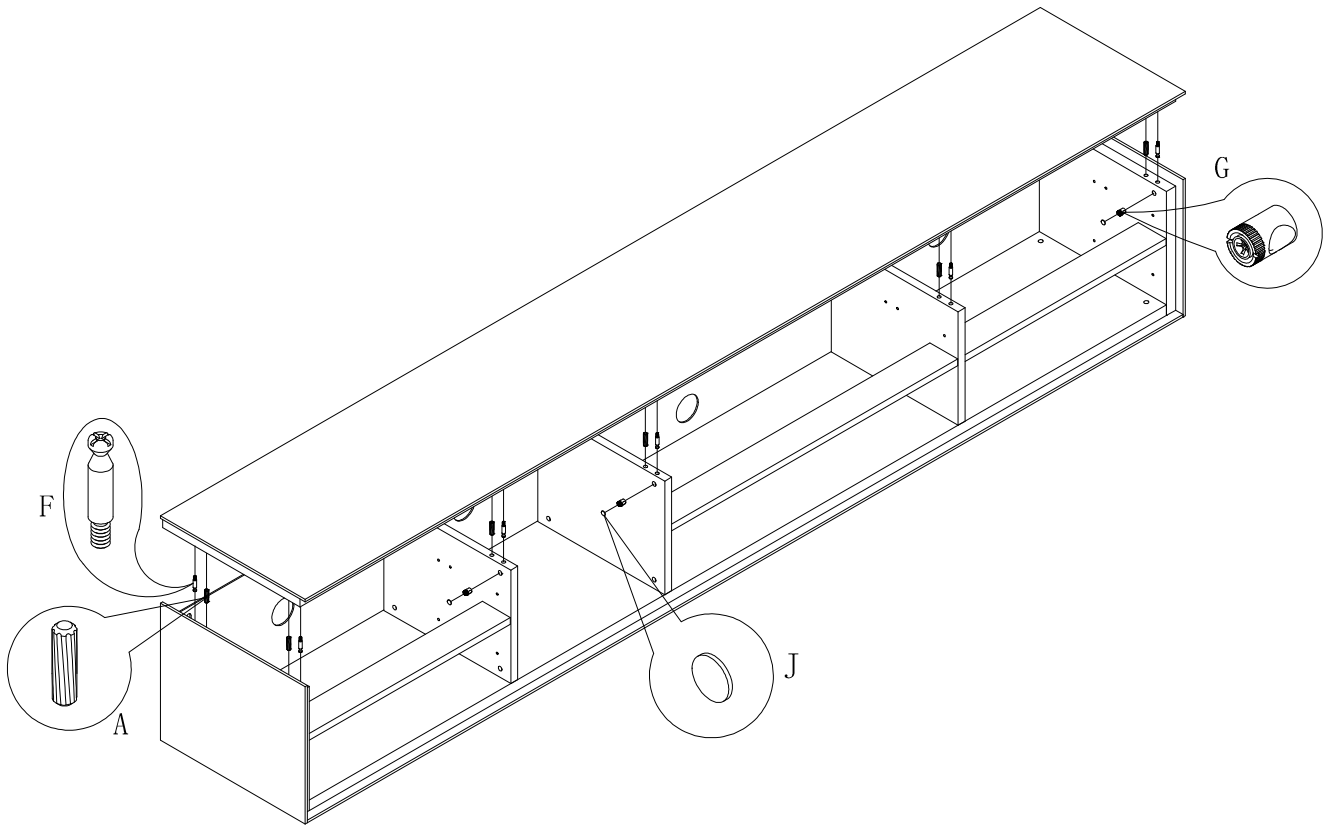




3

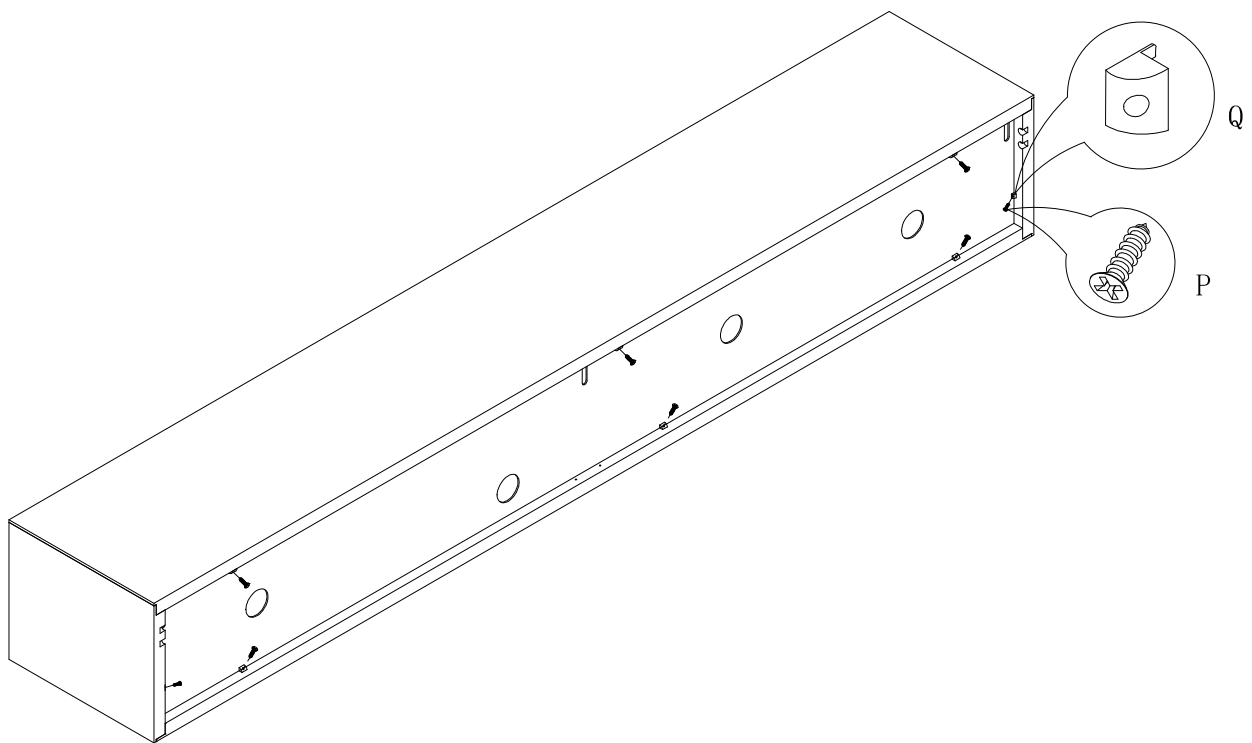
4

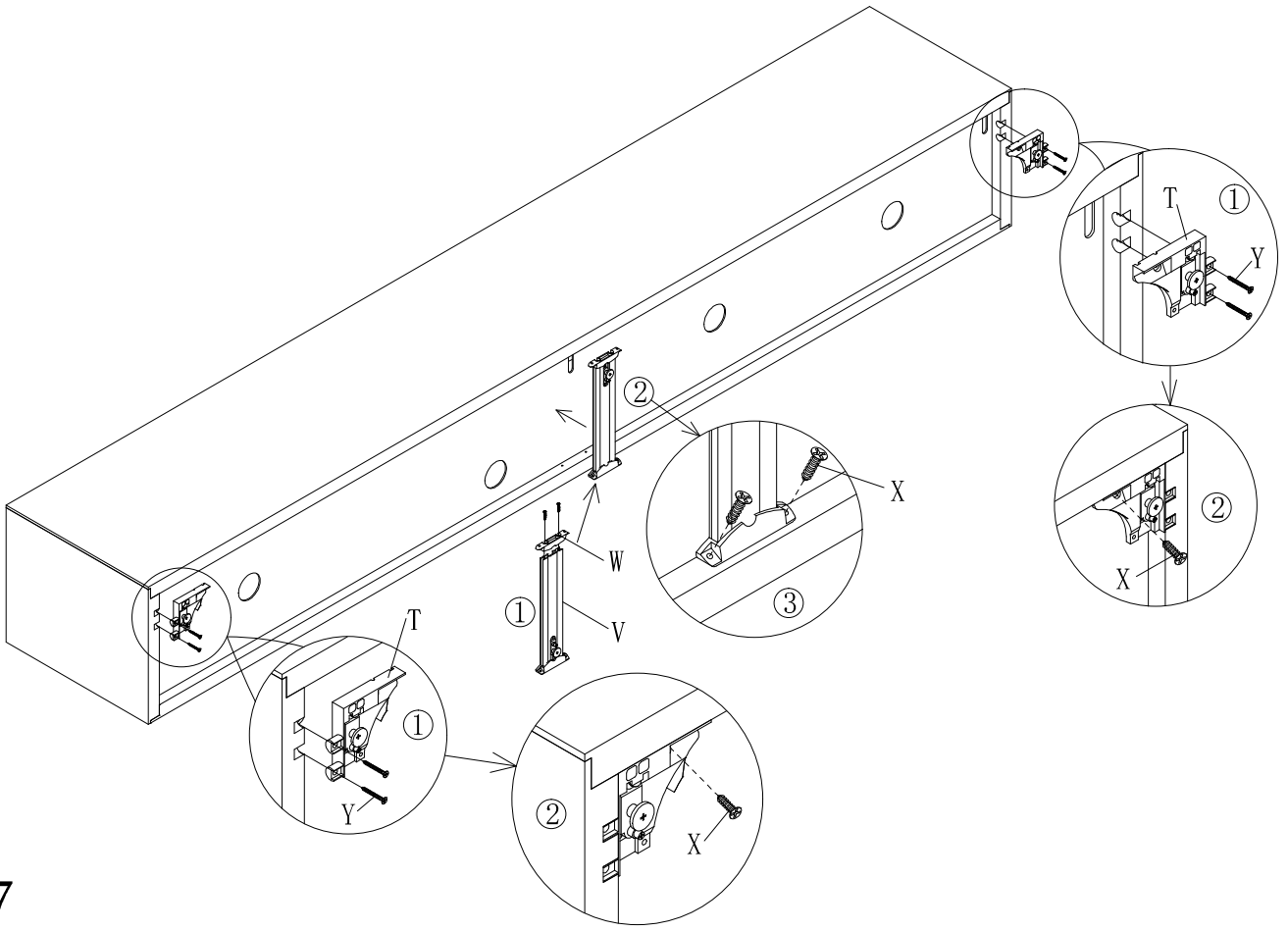




5

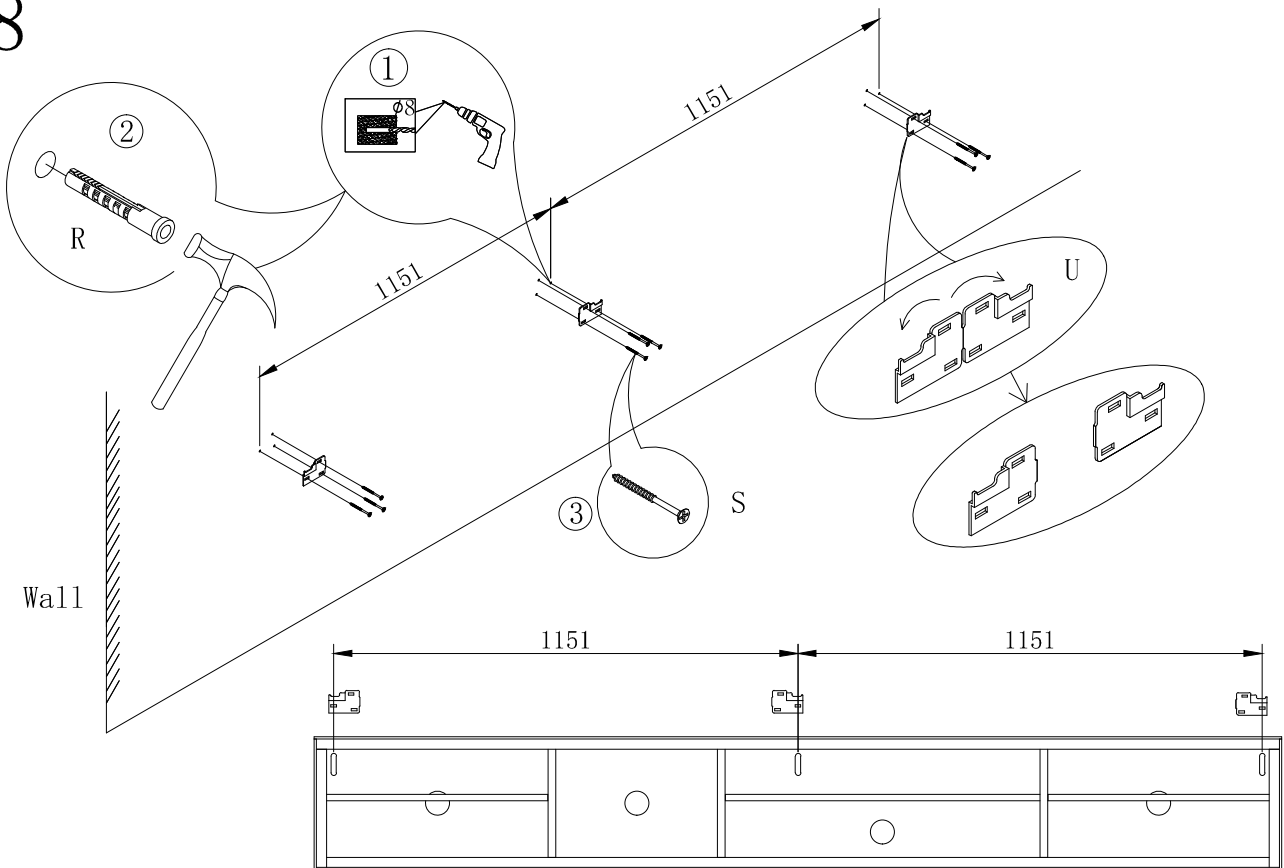
6

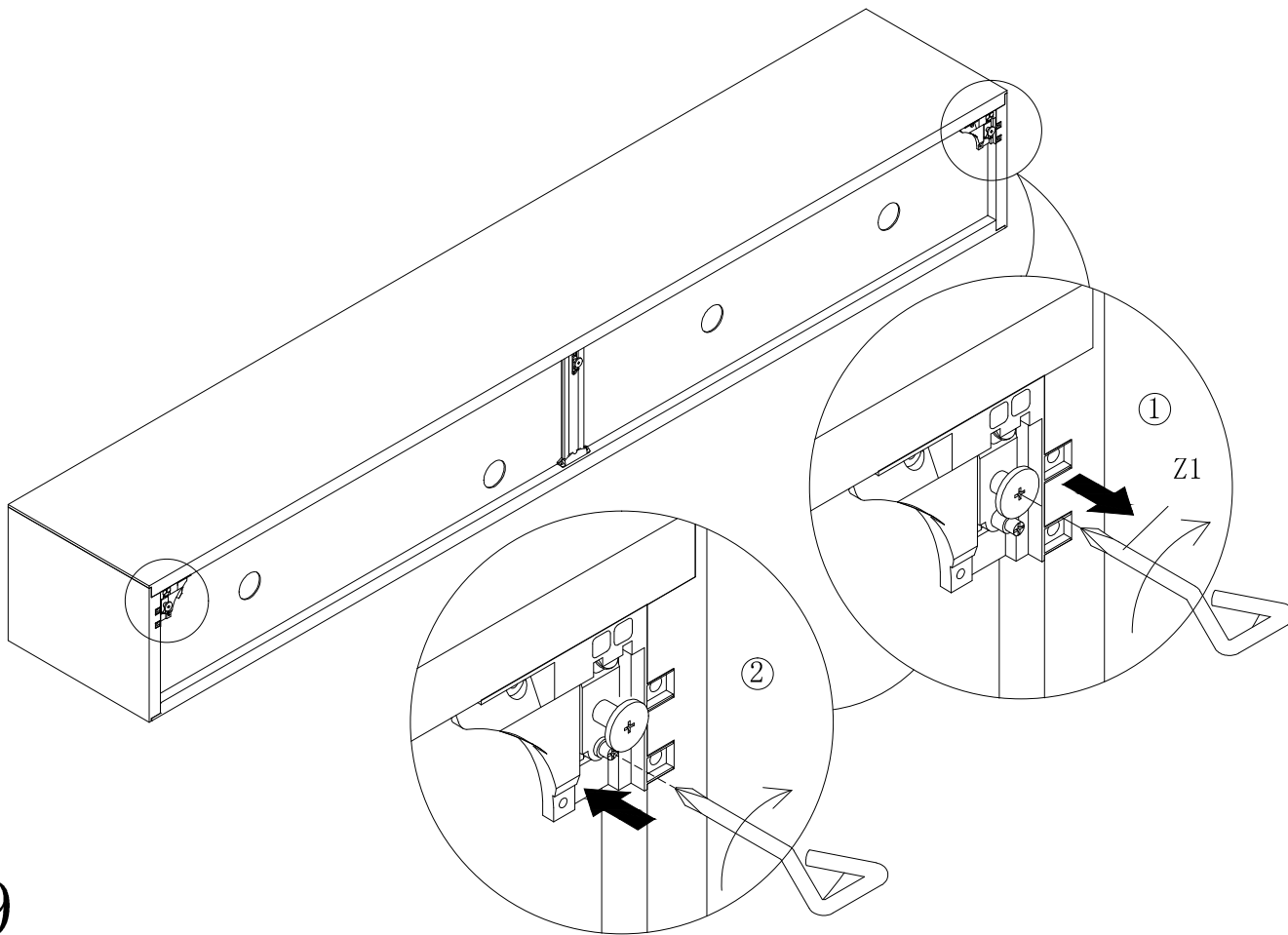




7

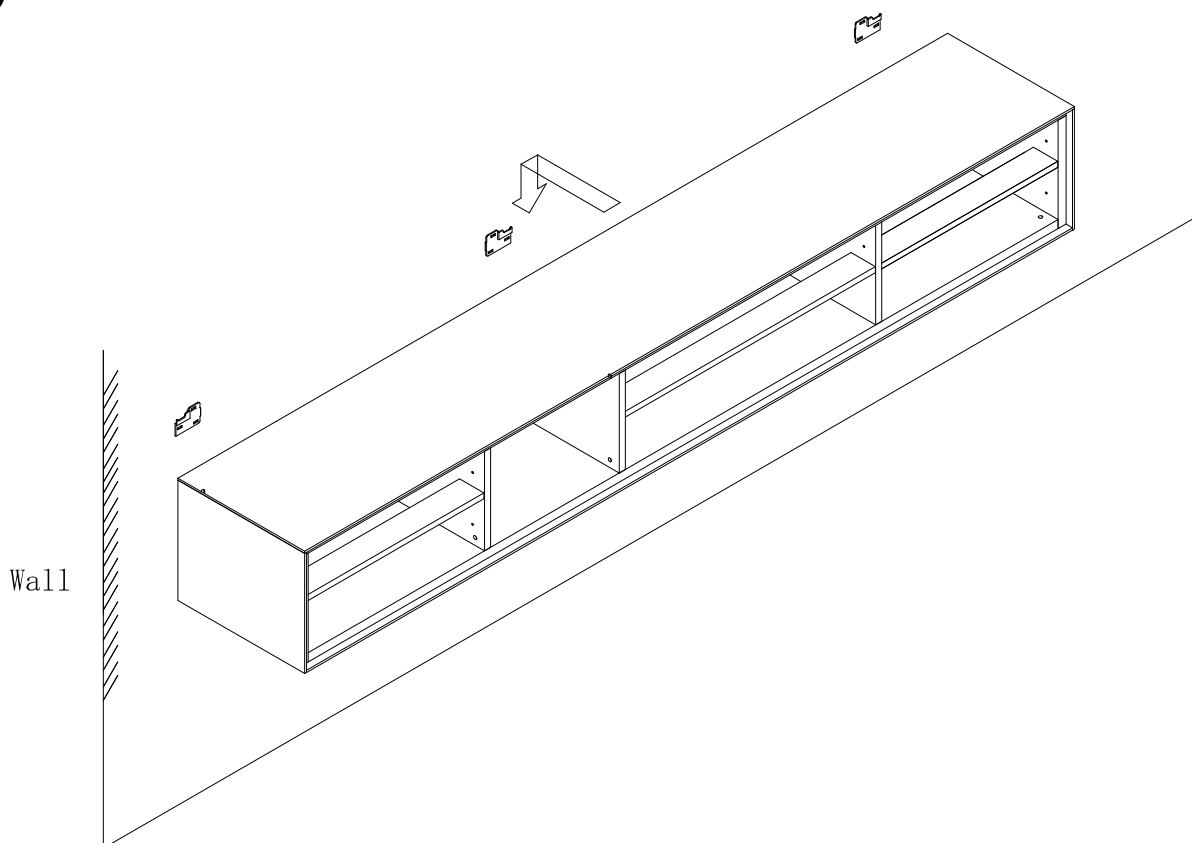
8

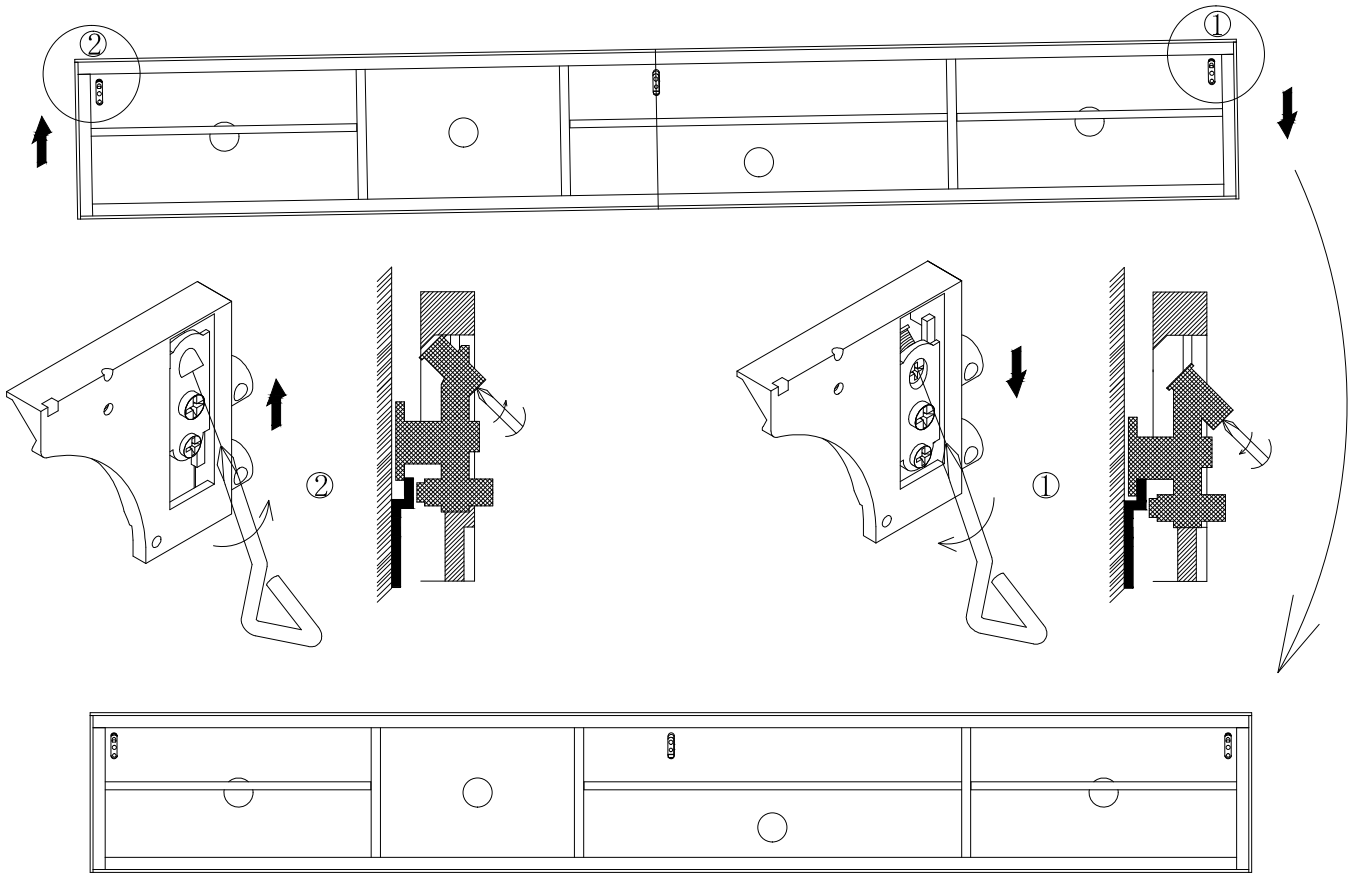




9

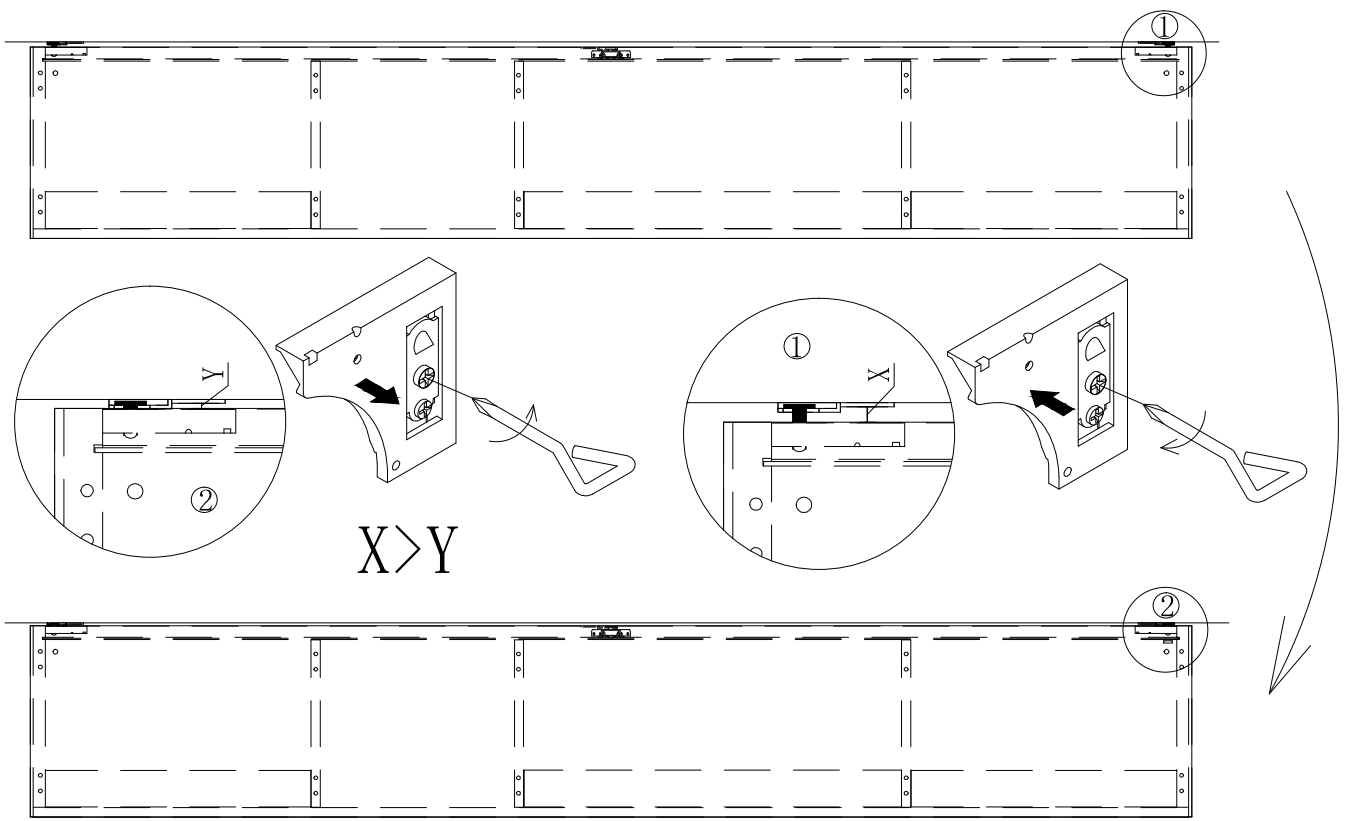
10

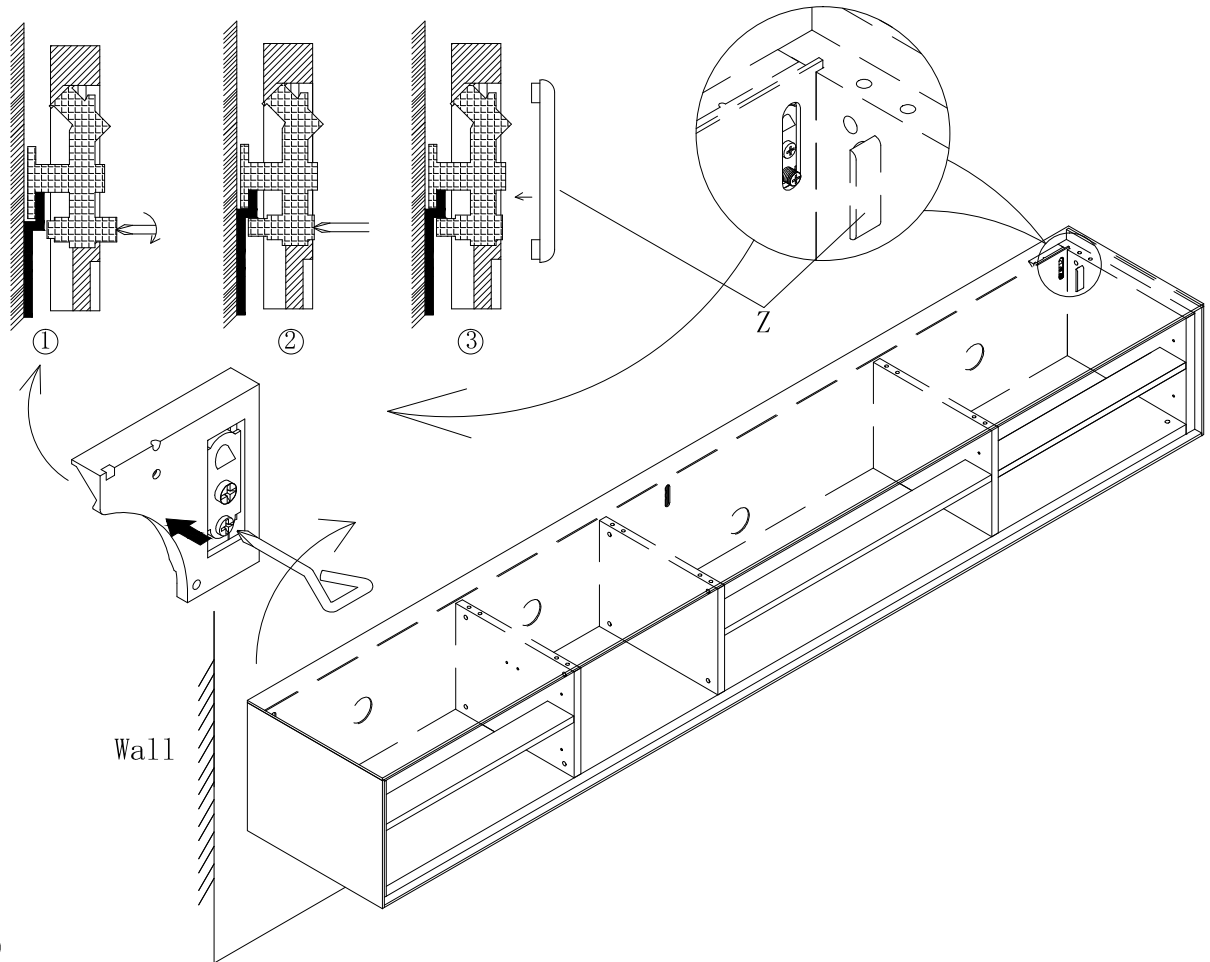




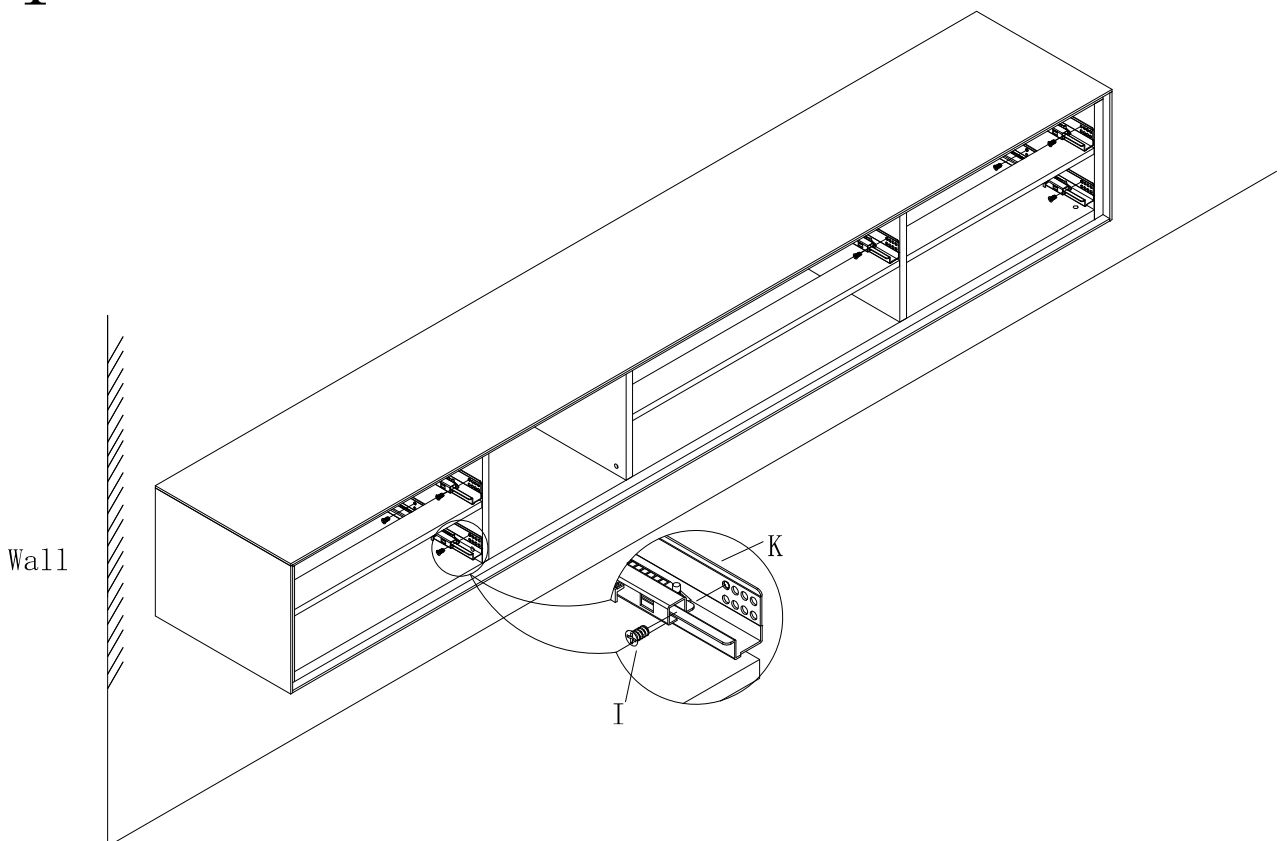
11

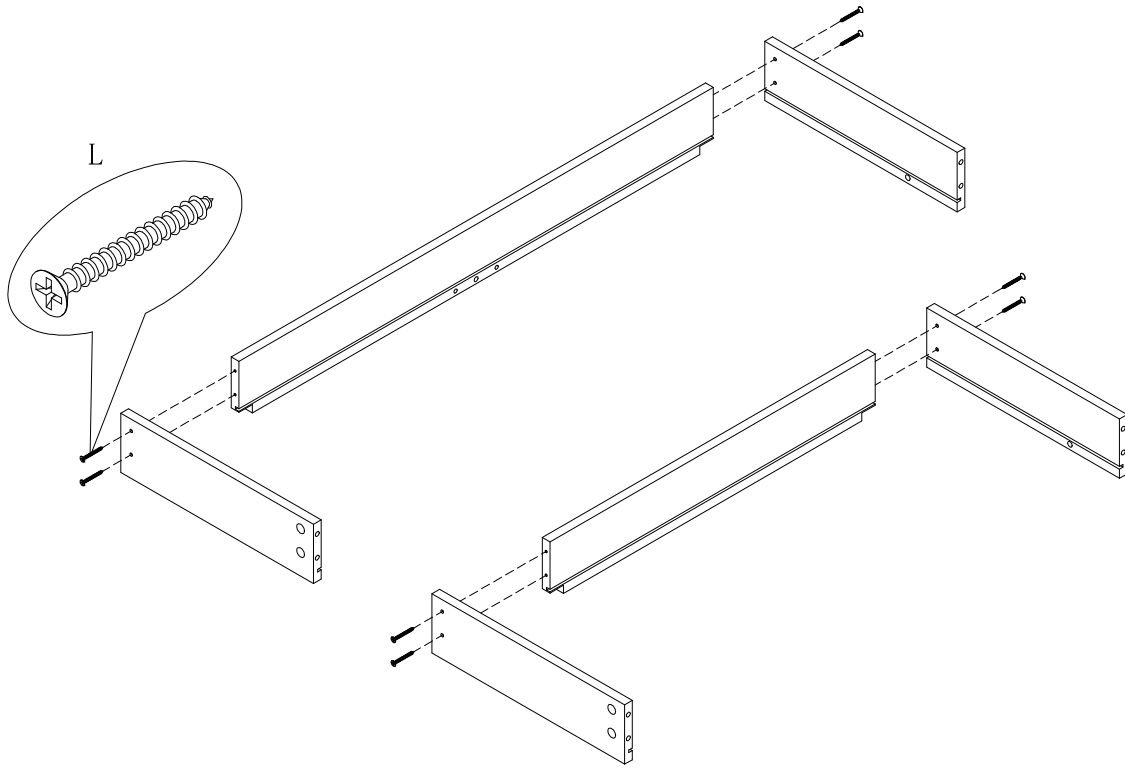
12





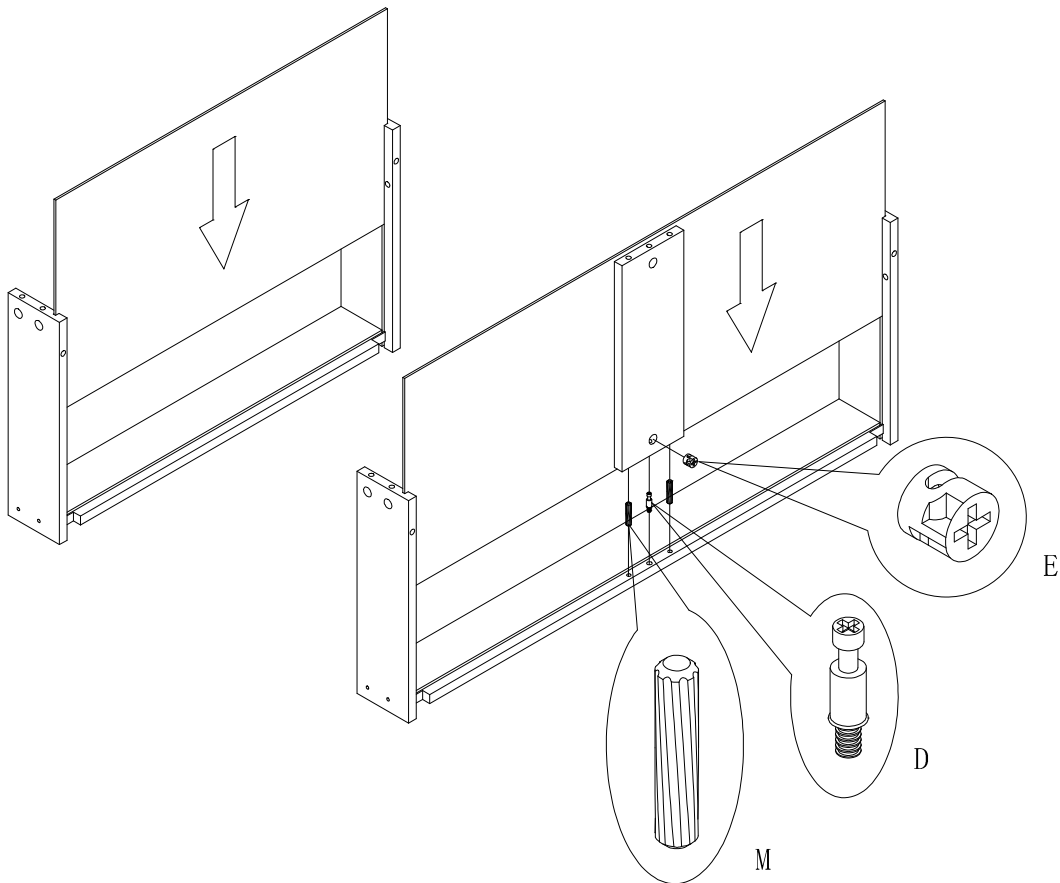
14

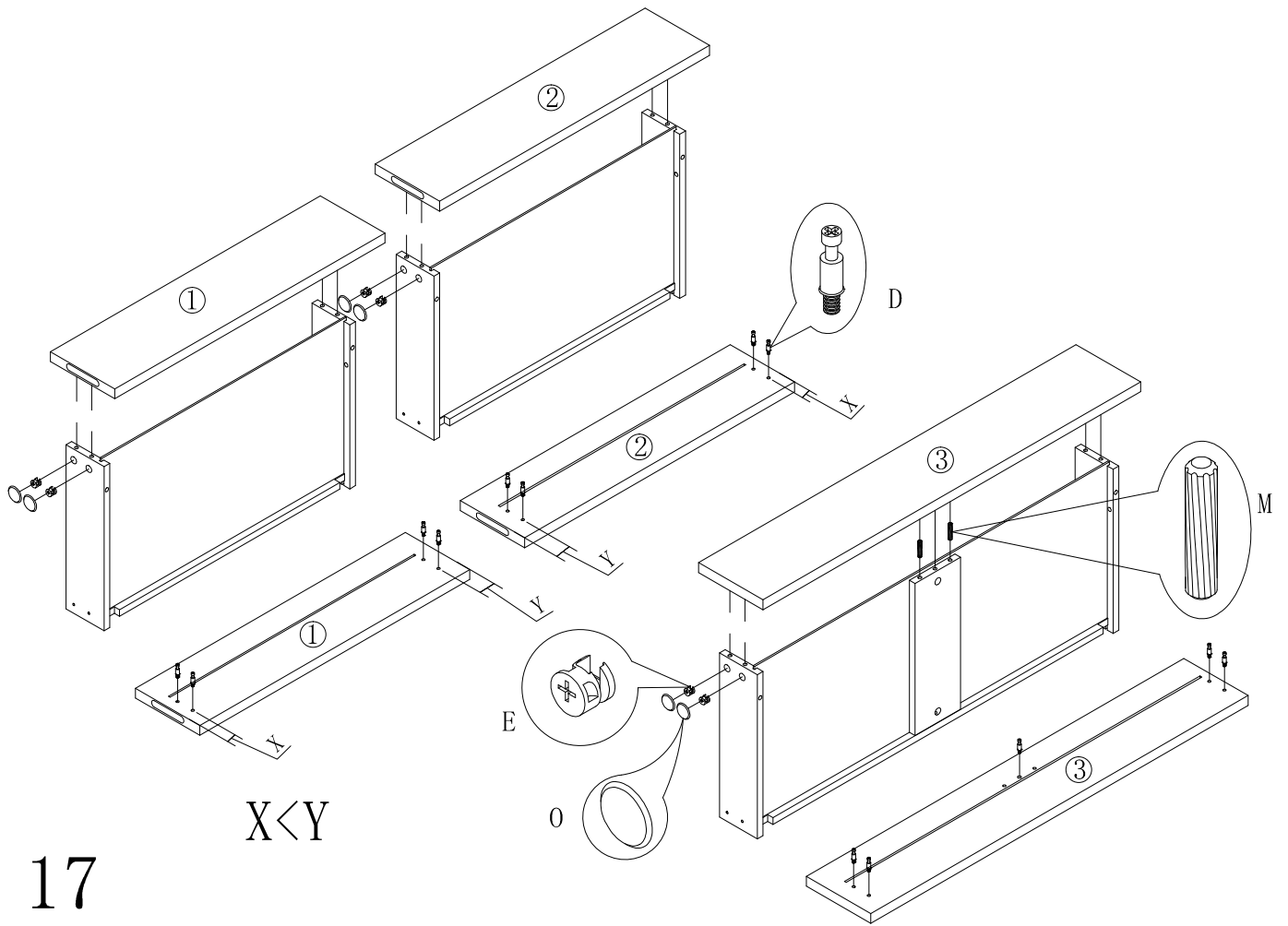




15

16

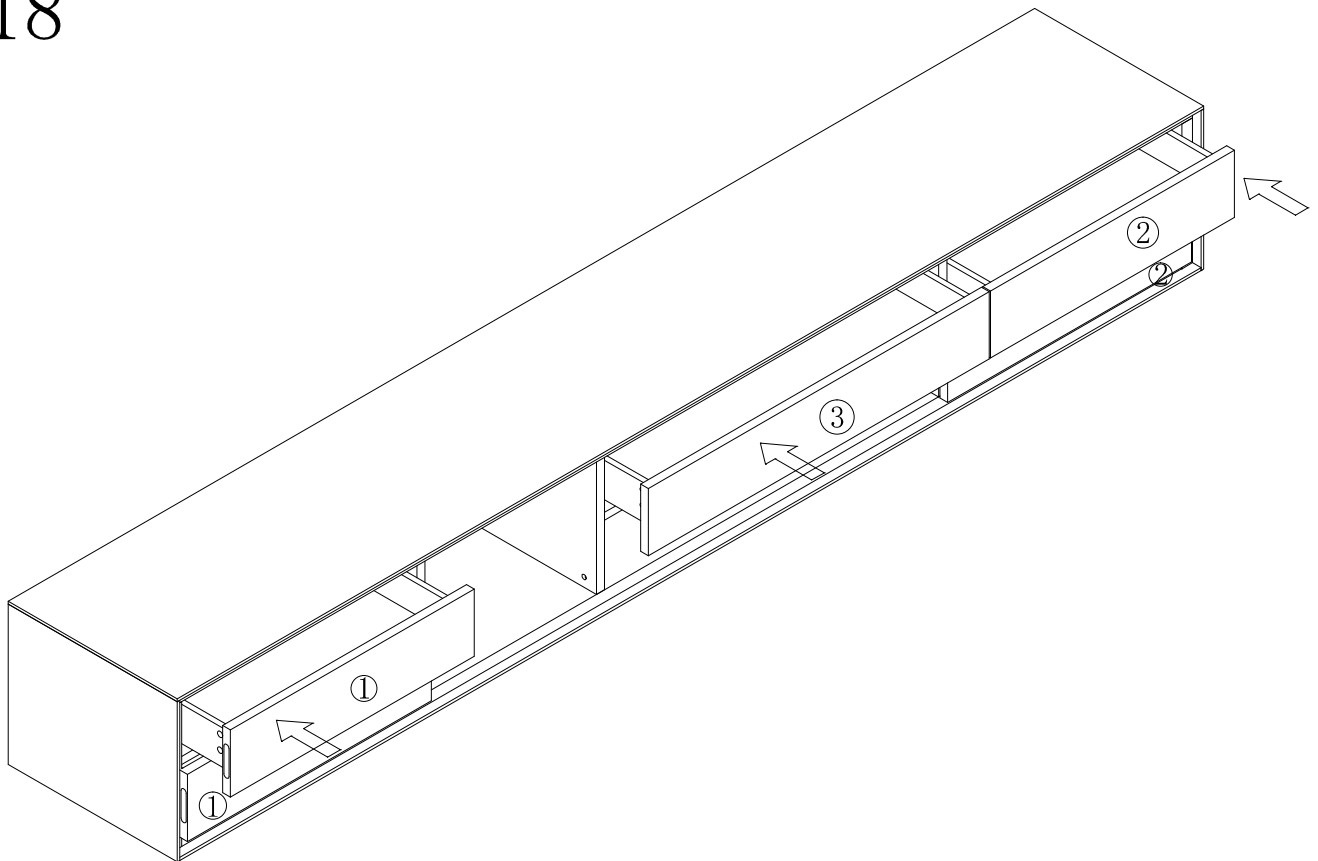


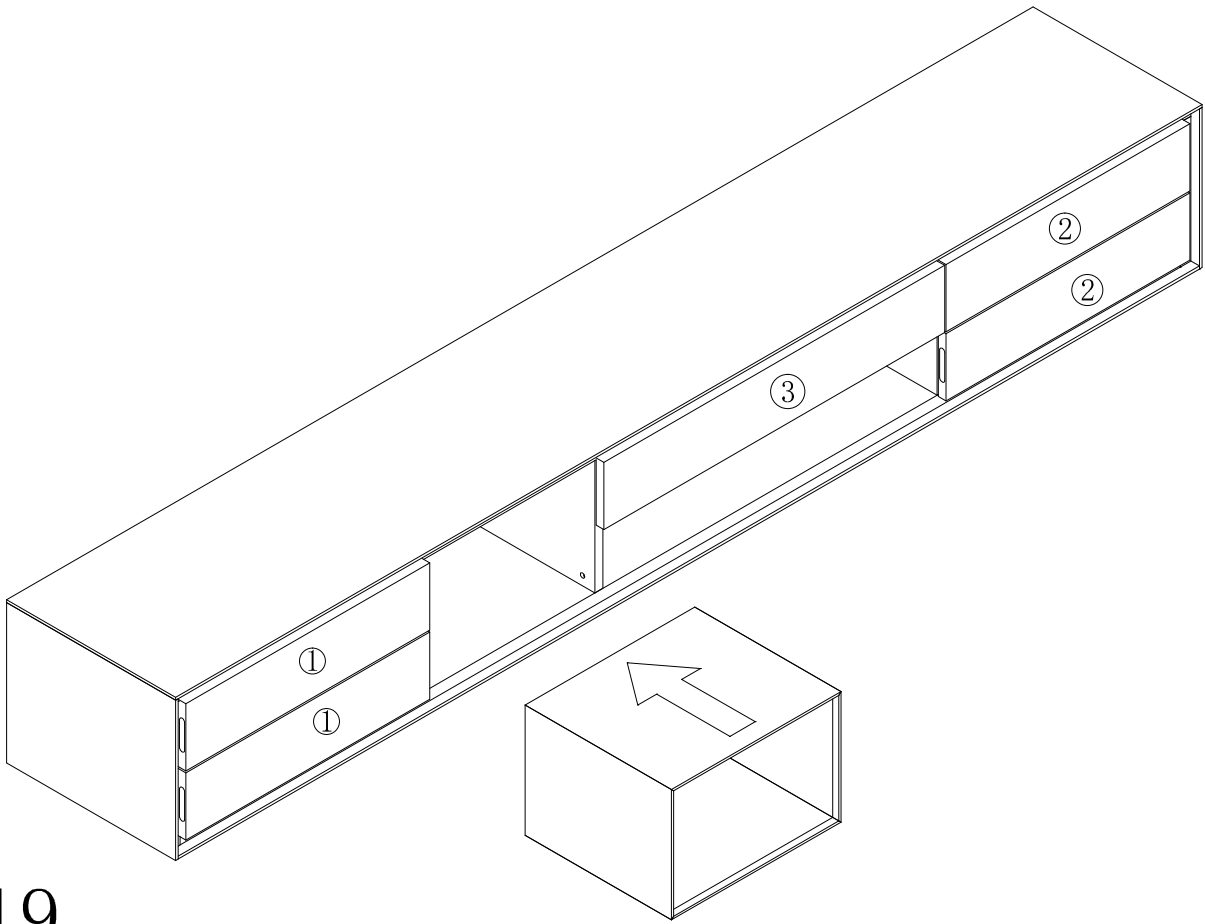


17

$X < Y$

18





19
