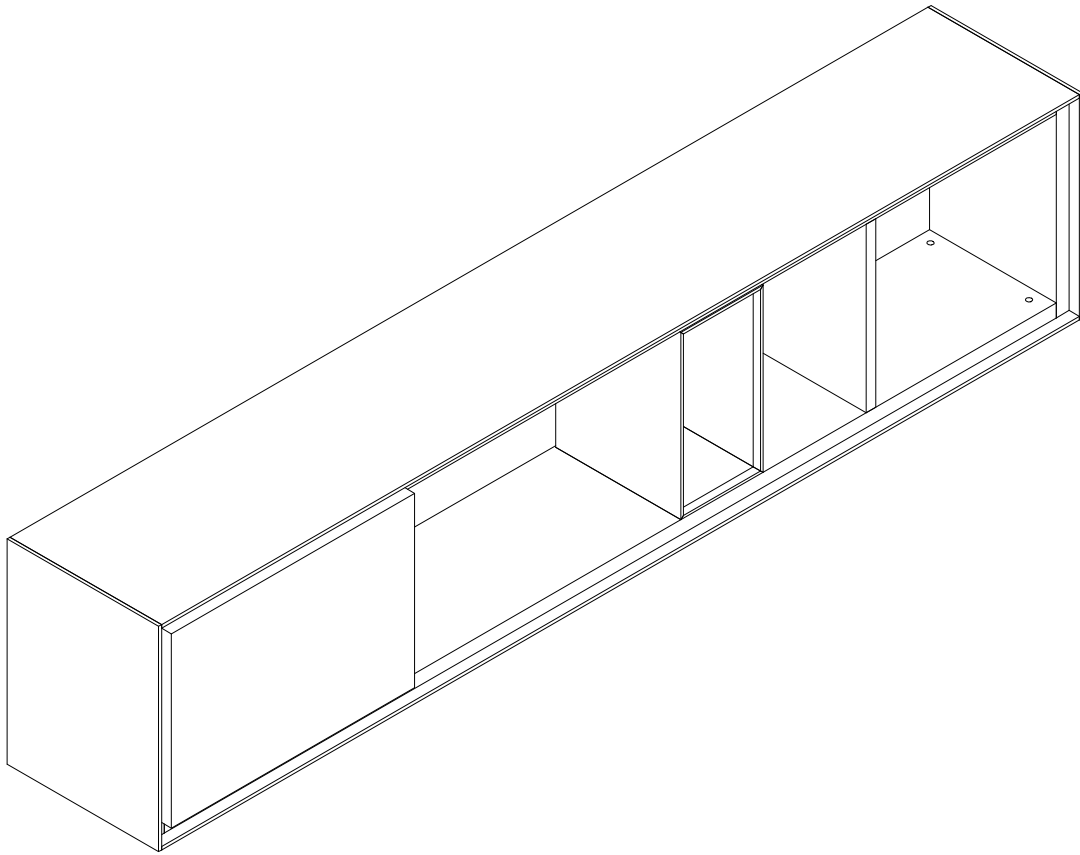
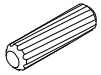
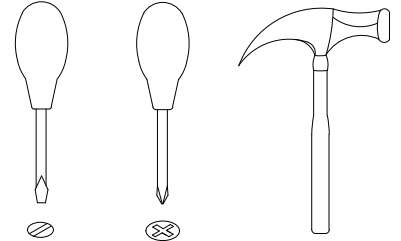
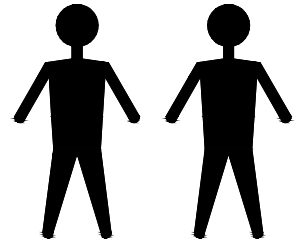




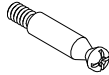
CP2202TV-D



CP2202TV-D



A x16
Spec: $\varnothing 8 \times 30$



B x16
Spec: $\varnothing 7 \times L35$



C x16
Spec: $\varnothing 10 \times 14$



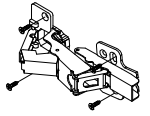
D x16
Spec: $\varnothing 10 \times 1$



F x8
Spec: $\varnothing 3.5 \times L16$



G x8
Spec: H13



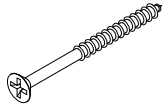
H x2
Spec: 078#



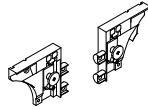
I x4
Spec: $3.8 \times L16$



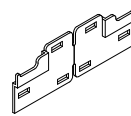
J x9
Spec: $\varnothing 8 \times L50$



K x9
Spec: $\varnothing 4 \times L60$



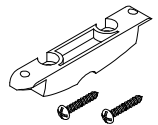
L x1
Spec:



M x2
Spec:



N x1
Spec: L311



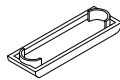
O x1
Spec:



P x6
Spec: $\varnothing 3.5 \times L25$



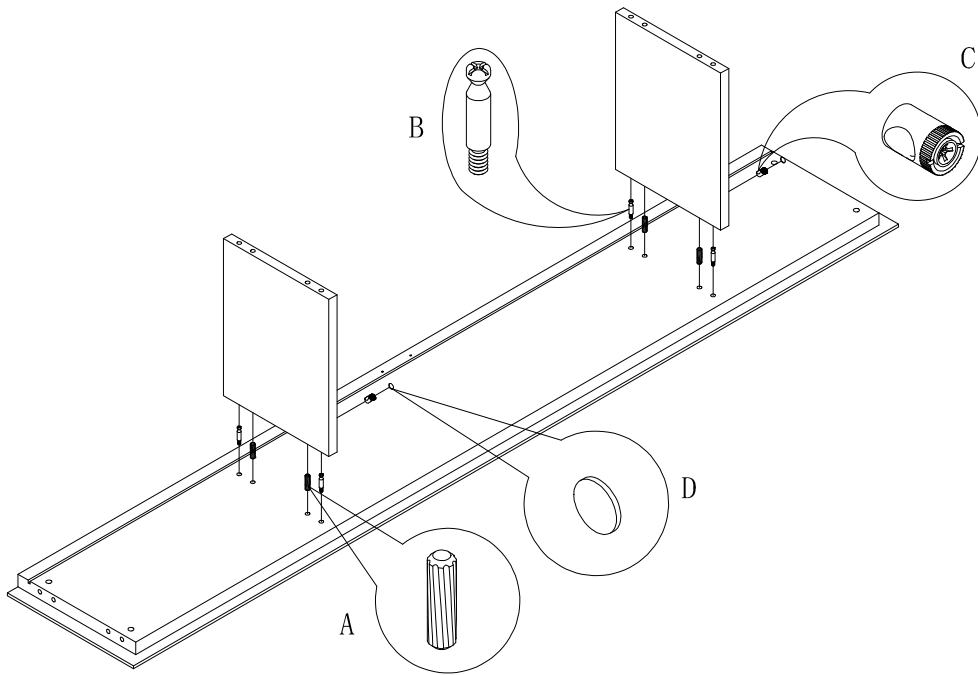
Q x4
Spec: $\varnothing 4 \times L32$



R x3
Spec: $56 \times 18 \times 7$

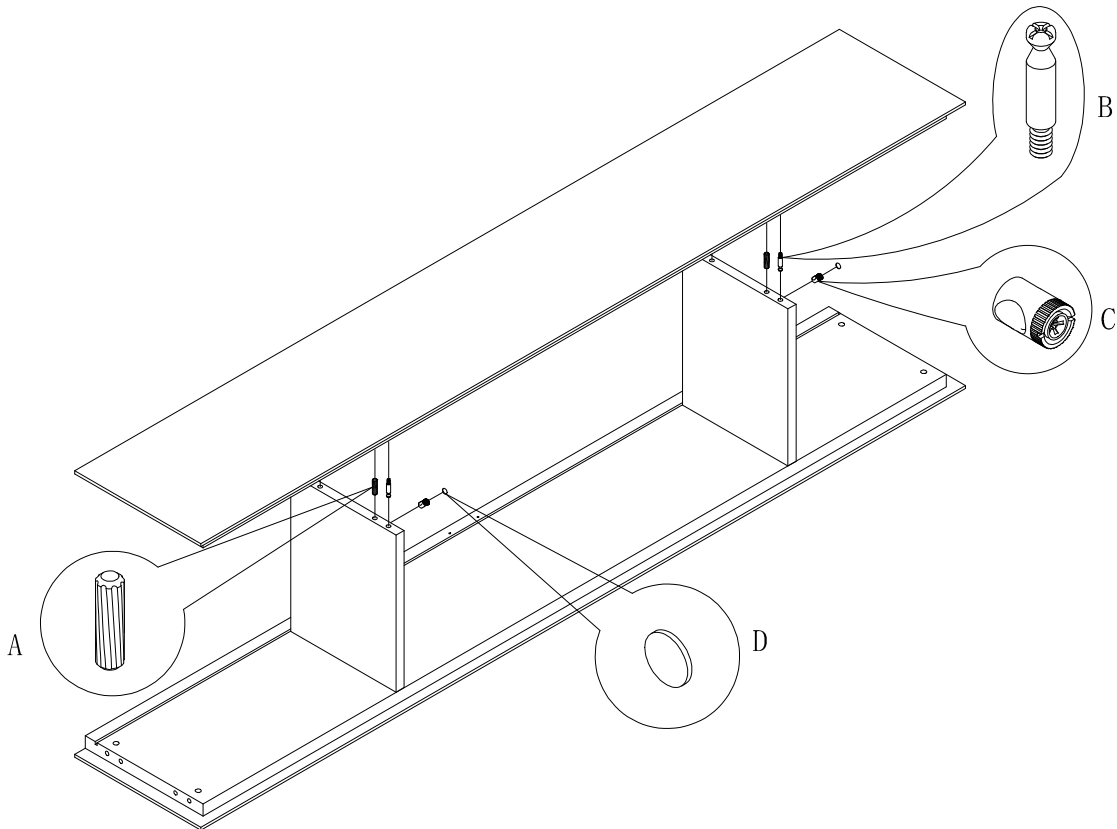


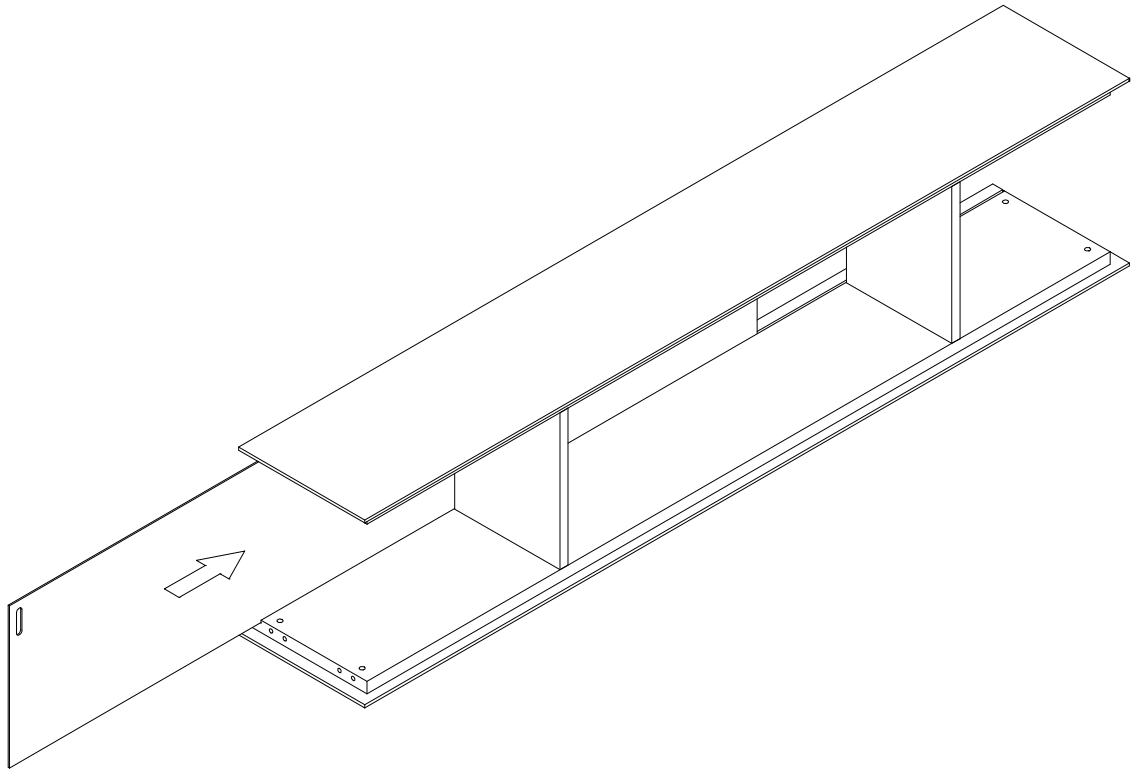
S x1
Spec:



1

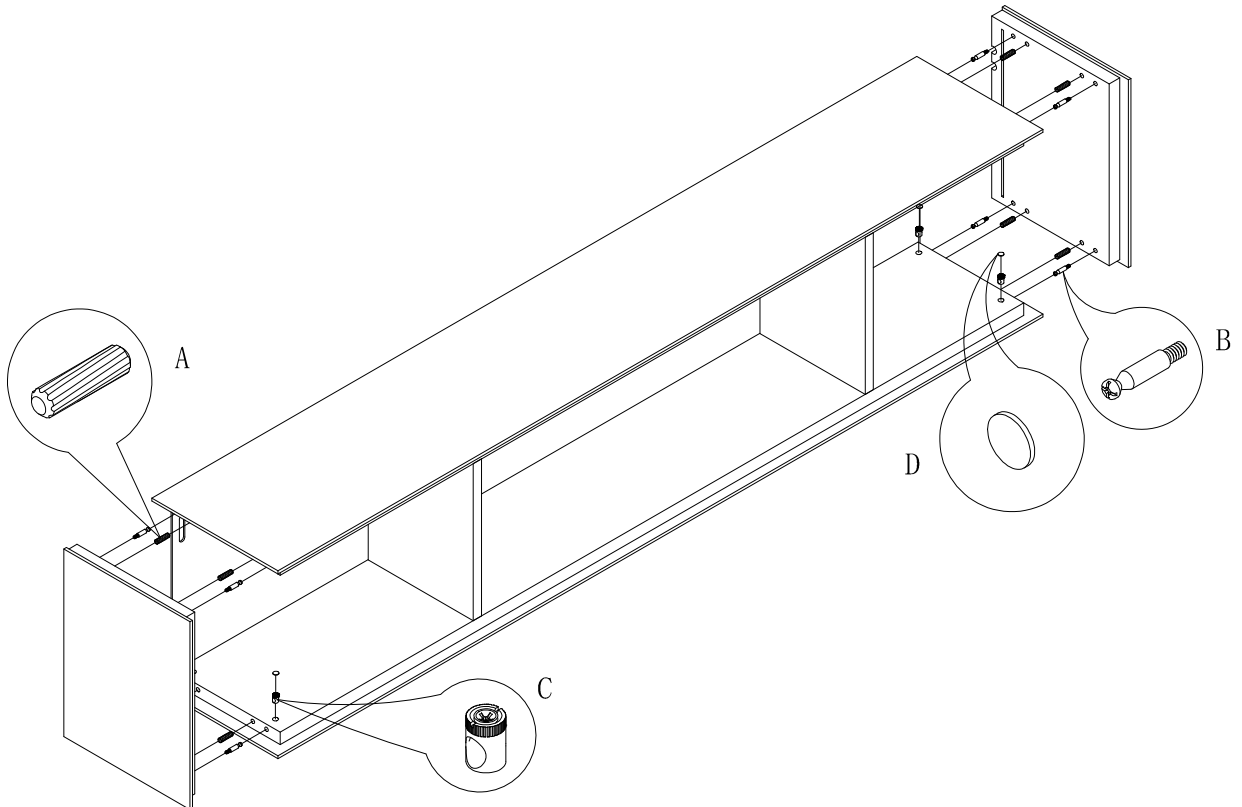
2

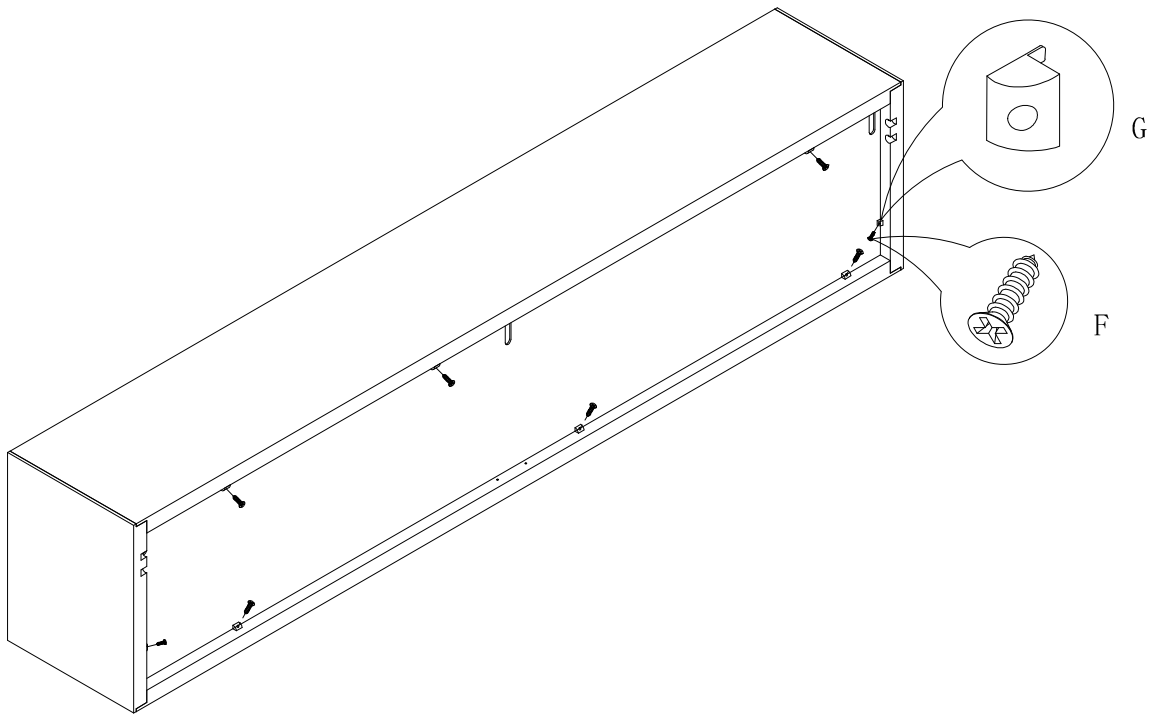




3

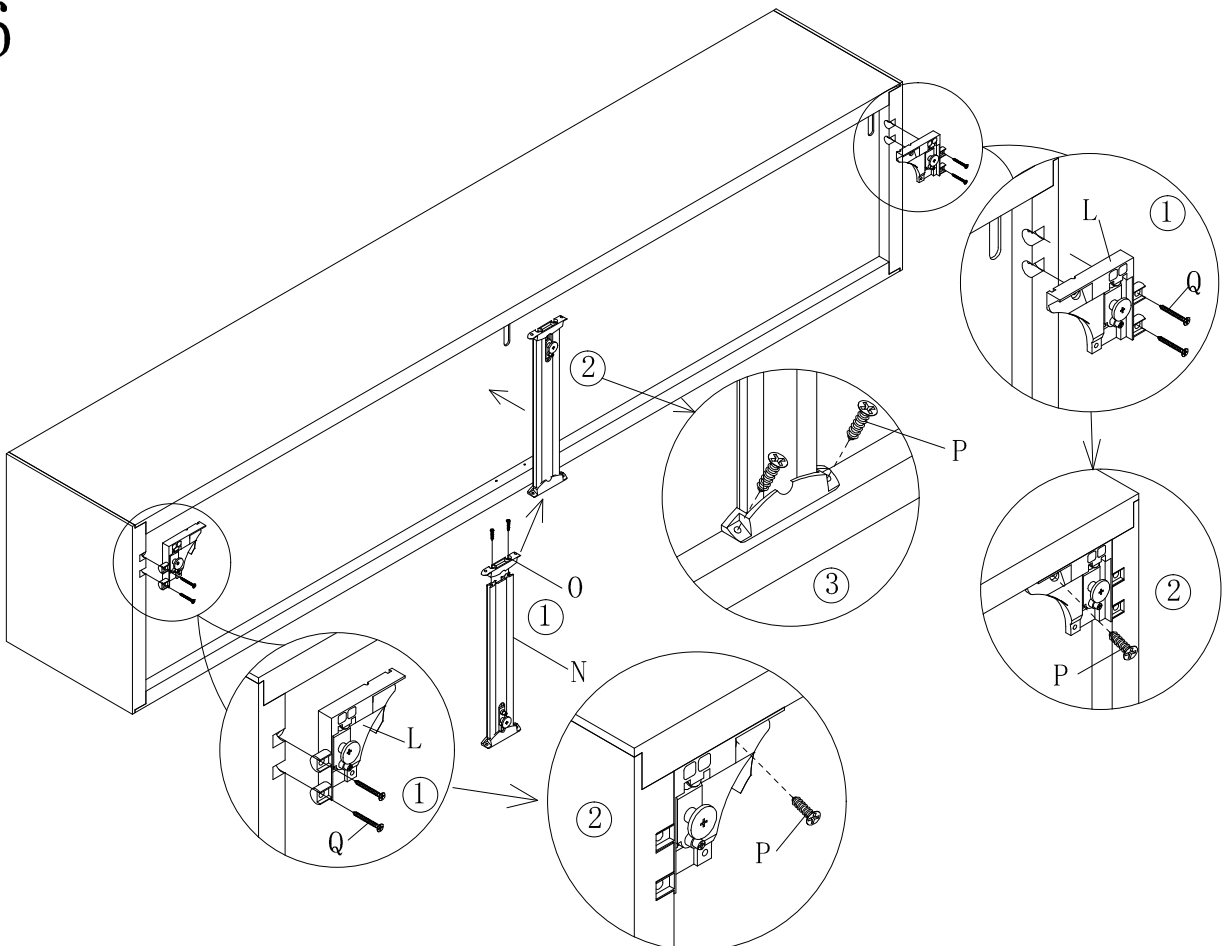
4

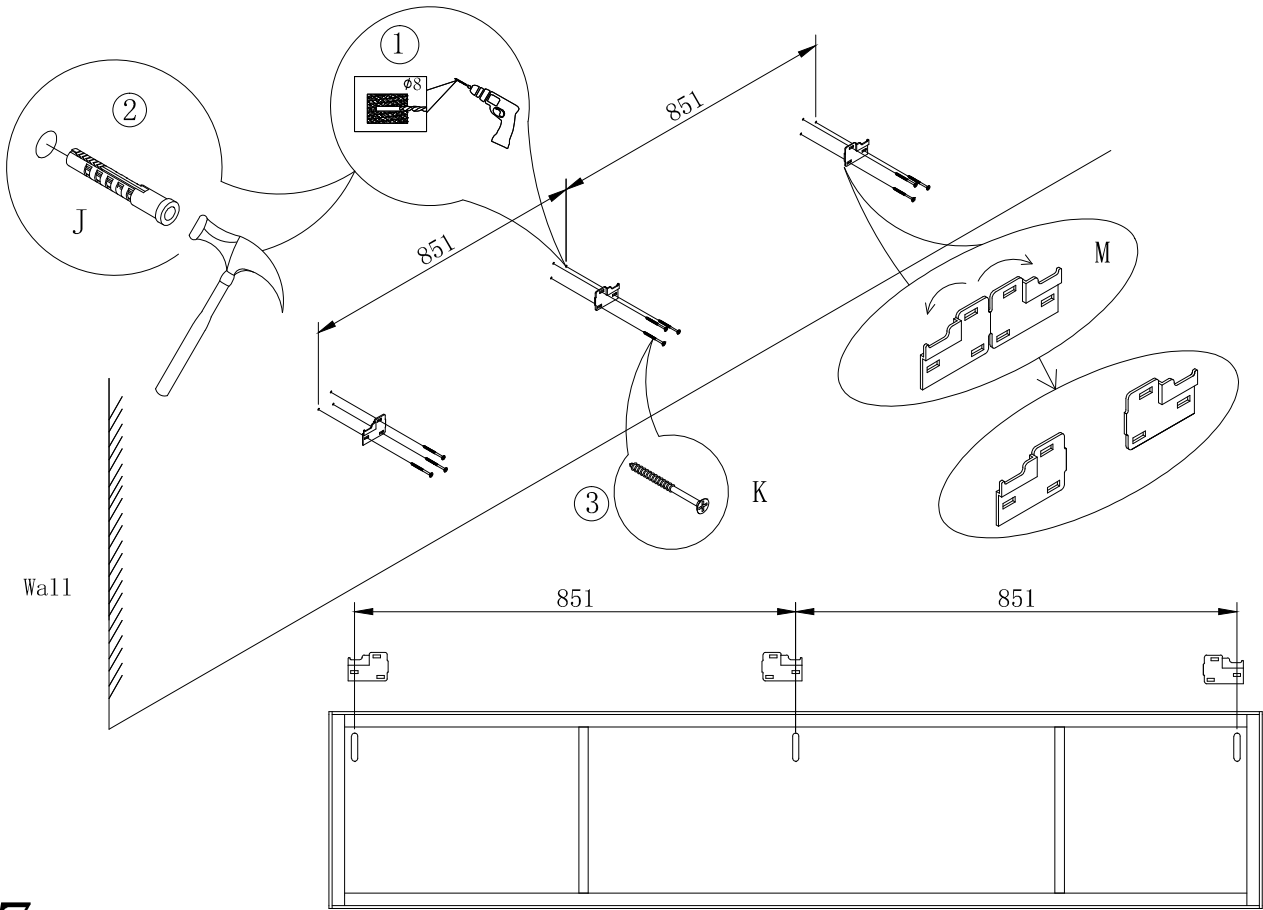




5

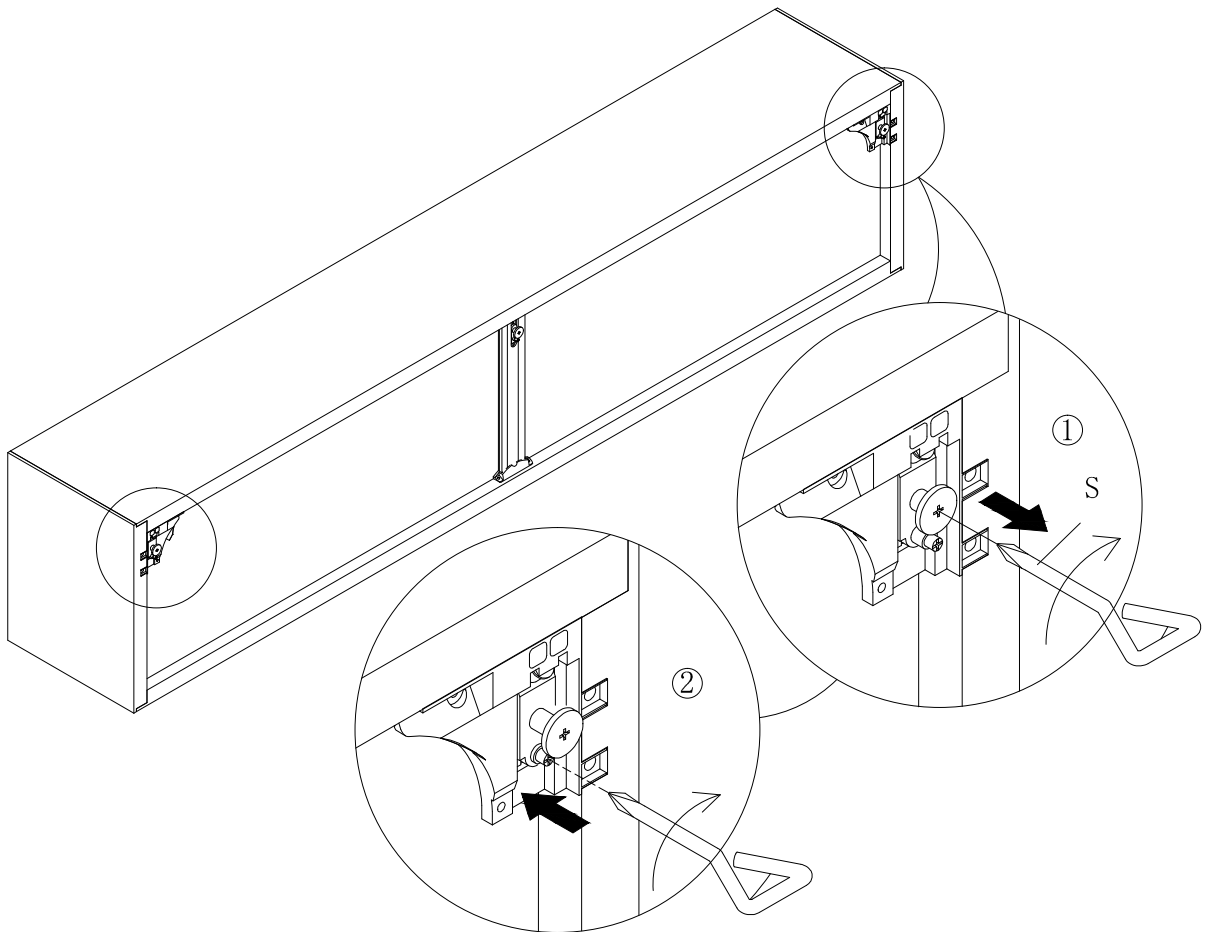
6

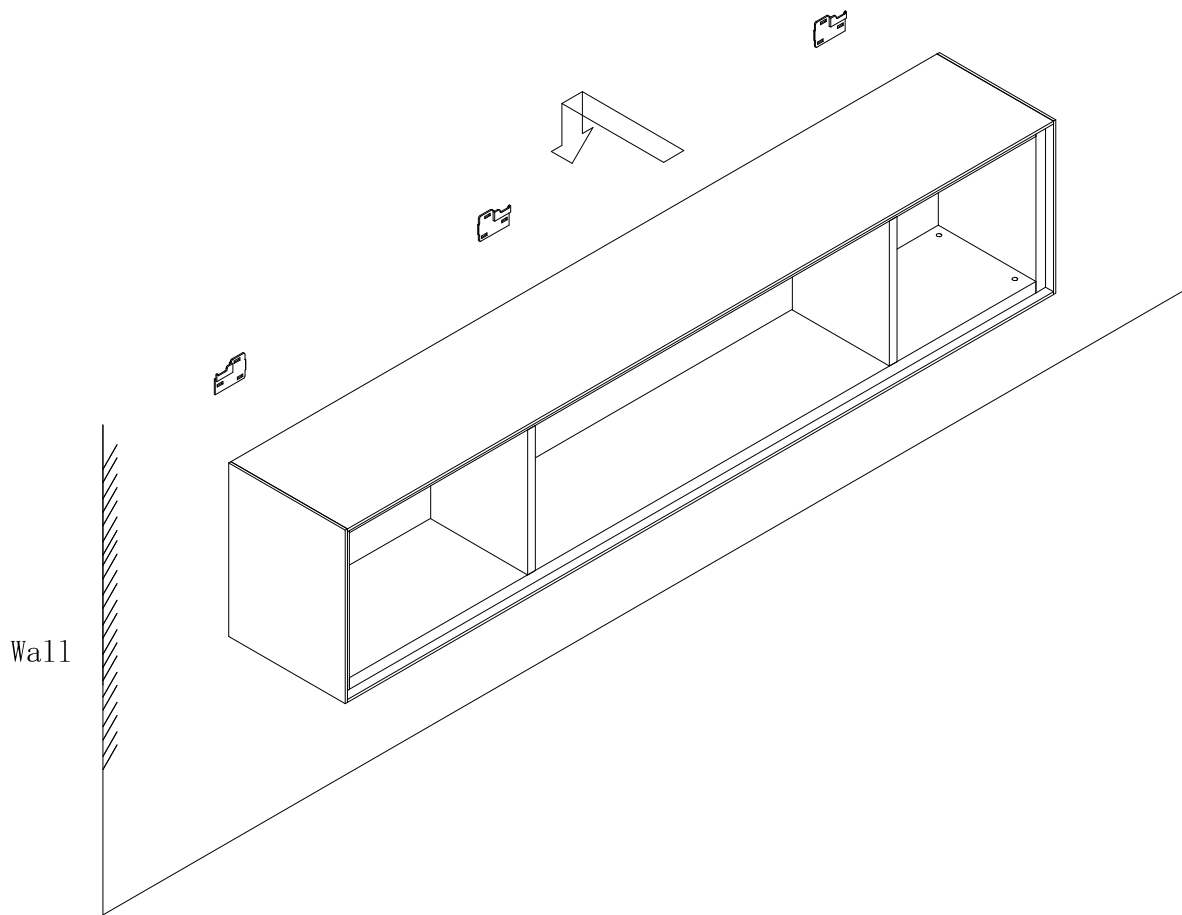




7

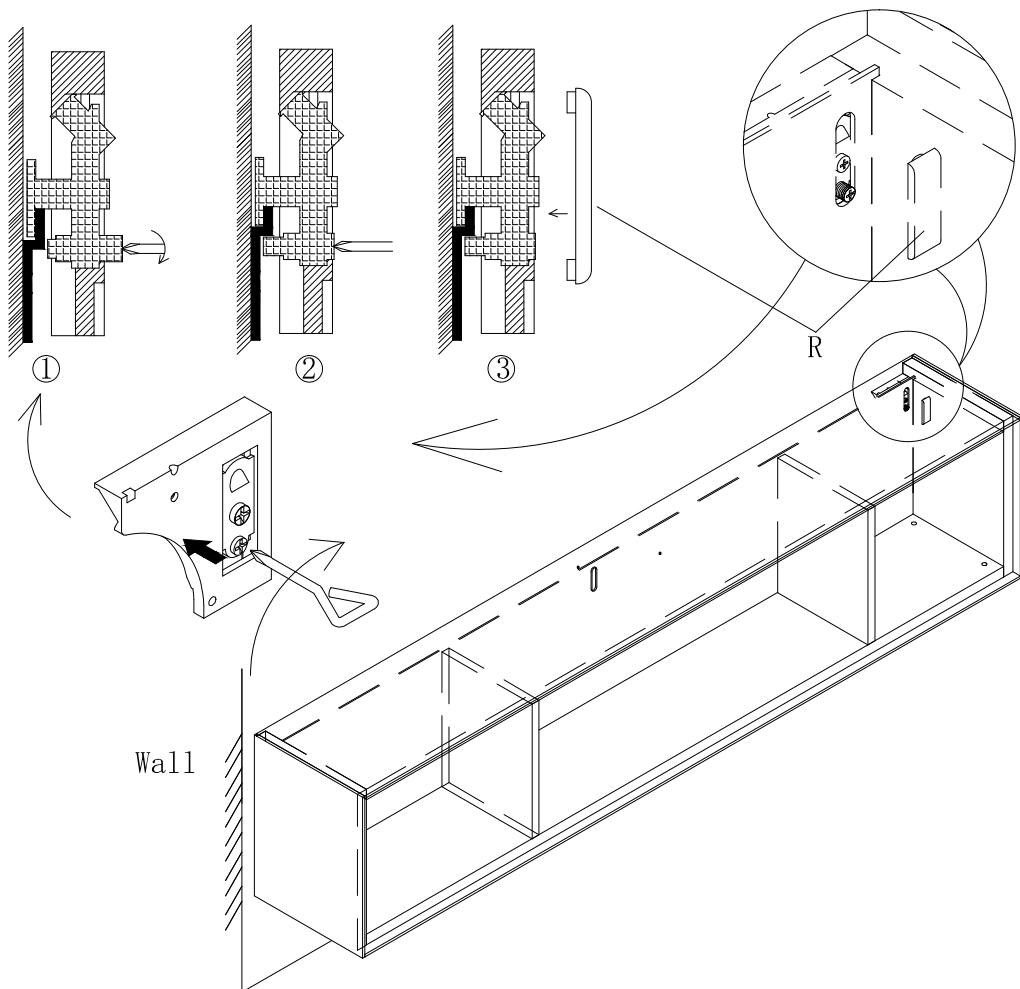
8

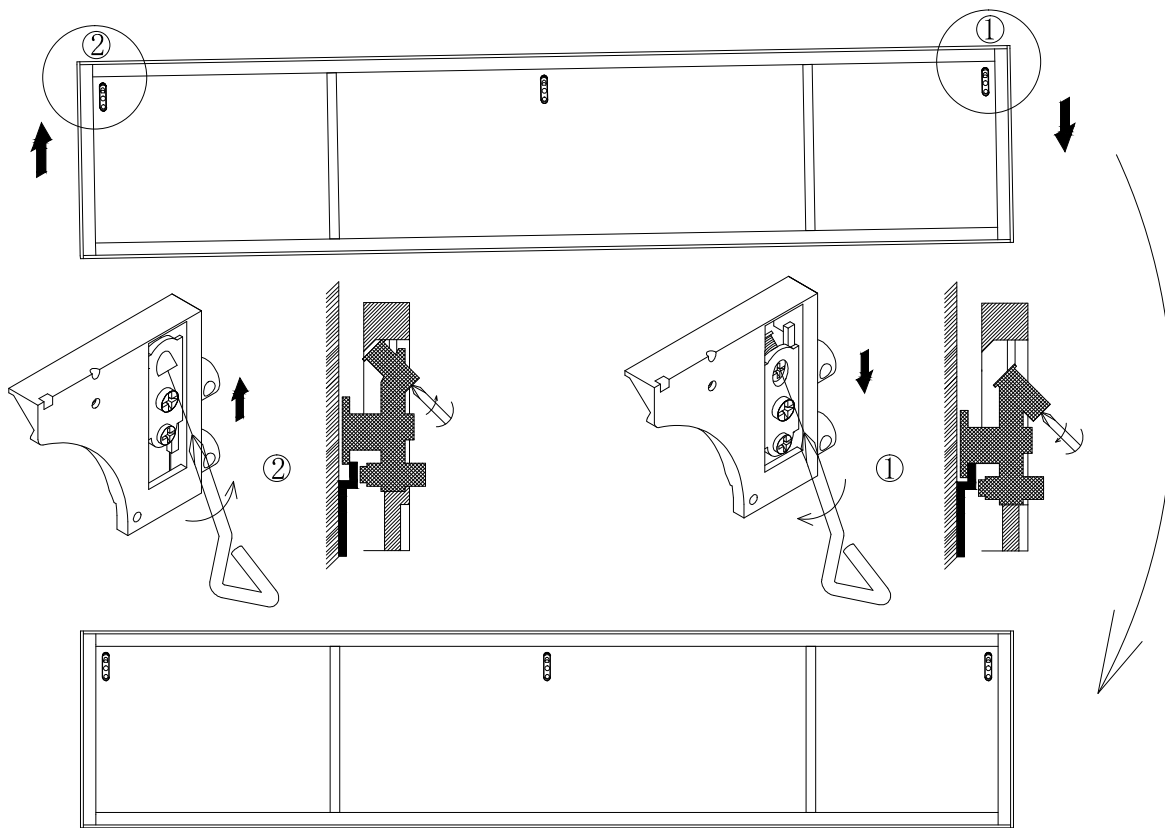




9

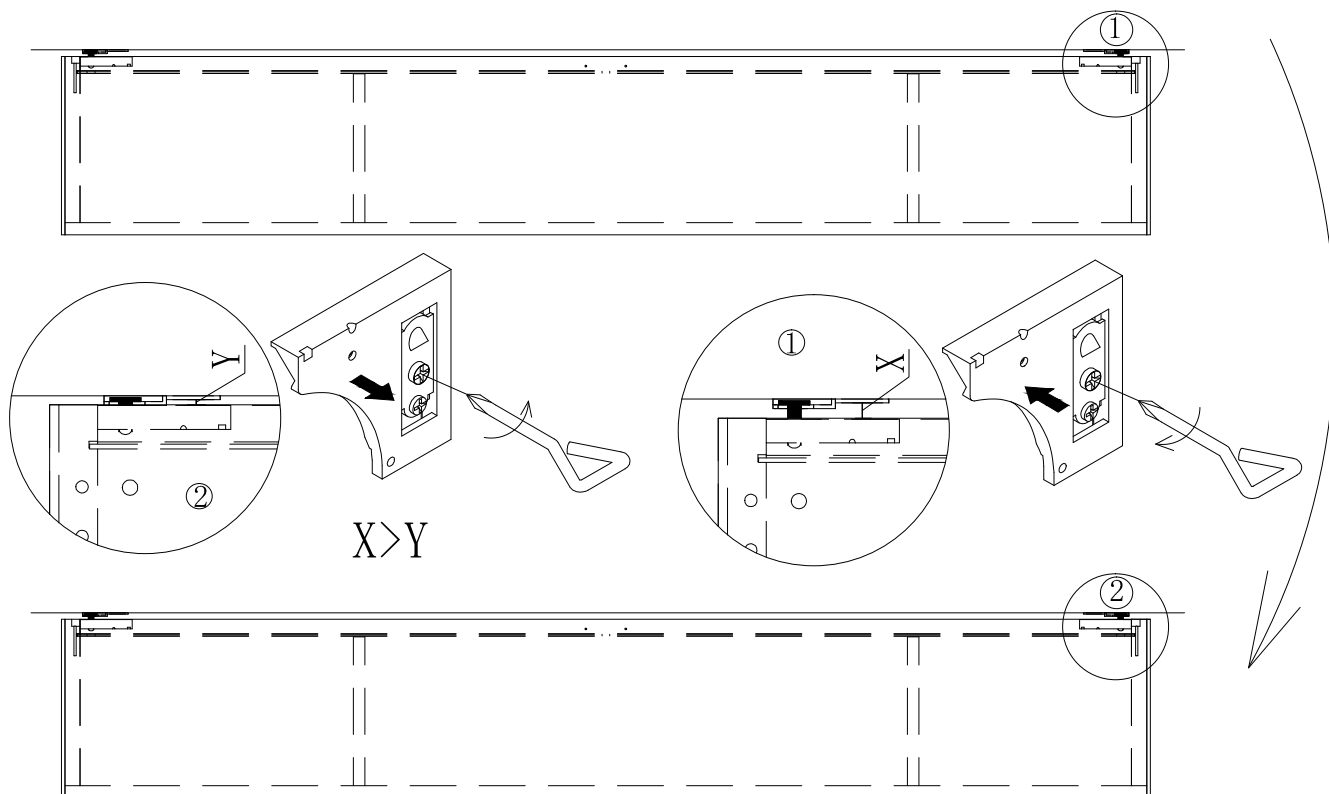
10

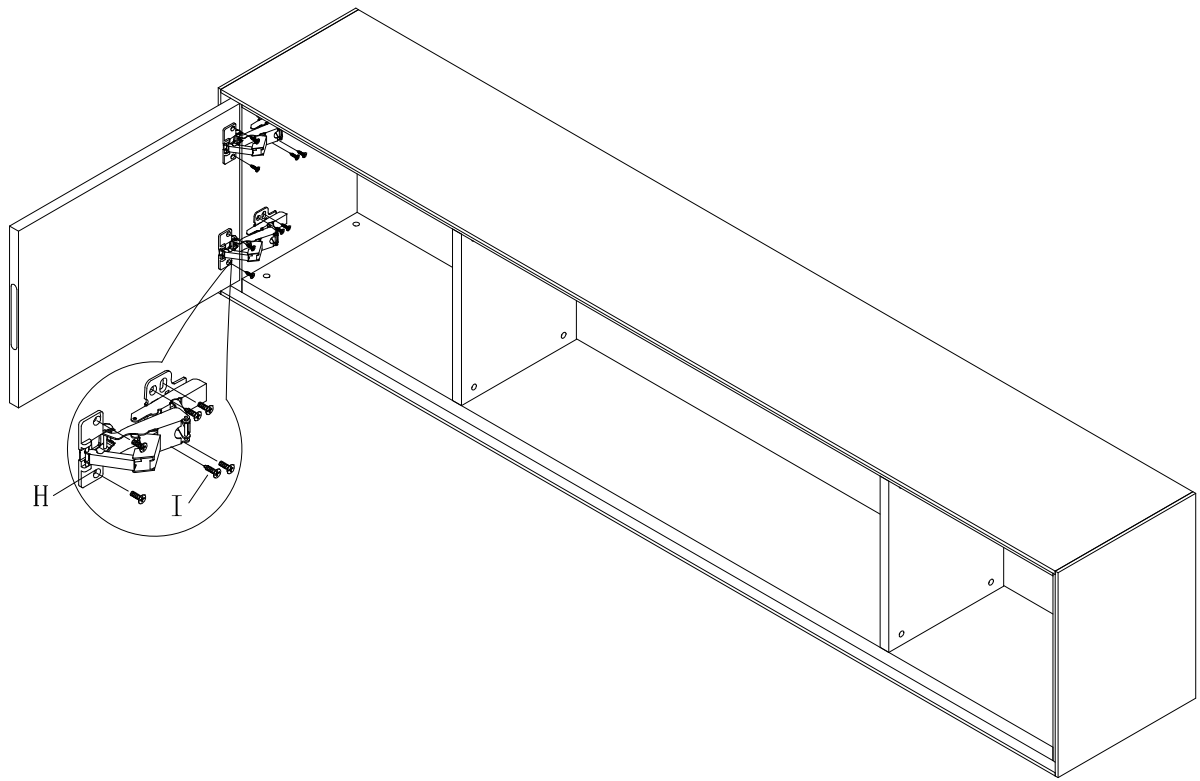




11

12





13

14

