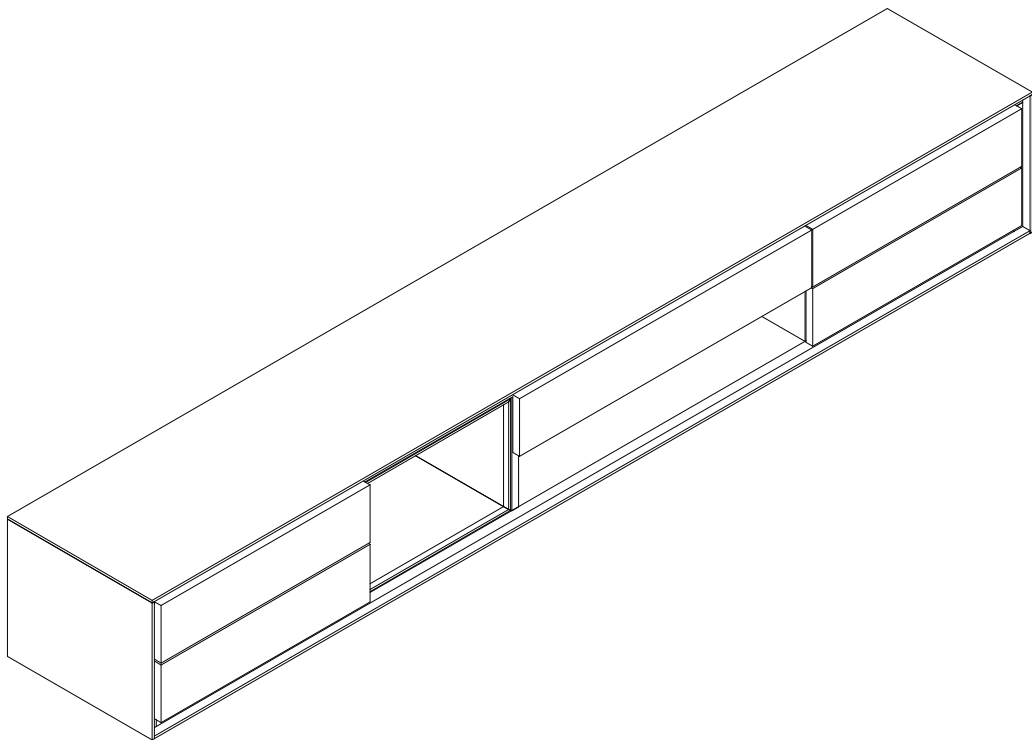


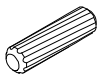
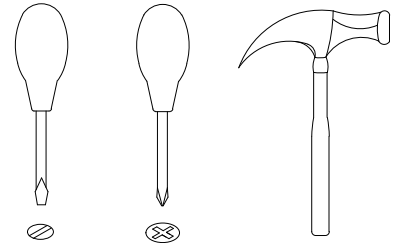
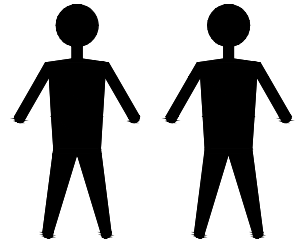


# CP2202TV4

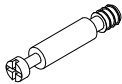


**EAC**

# # CP2202TV4



A x26  
Spec:  $\varnothing 8 \times 30$



B x4  
Spec:  $\varnothing 7 \times L30$



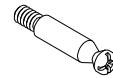
C x6  
Spec:  $\varnothing 15 \times H12$



D x22  
Spec:  $\varnothing 6 \times L28$



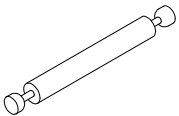
E x22  
Spec:  $\varnothing 12 \times H9$



F x20  
Spec:  $\varnothing 7 \times L35$



G x20  
Spec:  $\varnothing 10 \times 14$



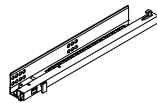
H x1  
Spec:  $\varnothing 7 \times L66$



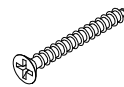
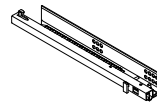
I x20  
Spec:  $\varnothing 6 \times L8$



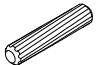
J x20  
Spec:  $\varnothing 10 \times 1$



K x5  
Spec: L300



L x20  
Spec:  $\varnothing 3.5 \times L35$



M x4  
Spec:  $\varnothing 6 \times 30$



O x28  
Spec:



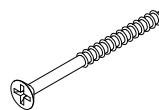
P x8  
Spec:  $\varnothing 3.5 \times L16$



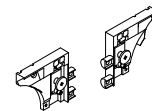
Q x8  
Spec: H13



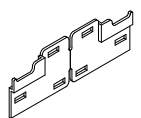
R x9  
Spec:  $\varnothing 8 \times L50$



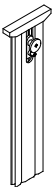
S x9  
Spec:  $\varnothing 4 \times L60$



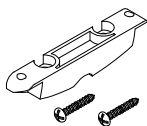
T x1  
Spec:



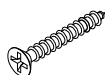
U x2  
Spec:



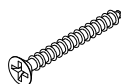
V x1  
Spec: L261



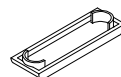
W x1  
Spec:



X x6  
Spec:  $\varnothing 3.5 \times L25$



Y x4  
Spec:  $\varnothing 4 \times L32$



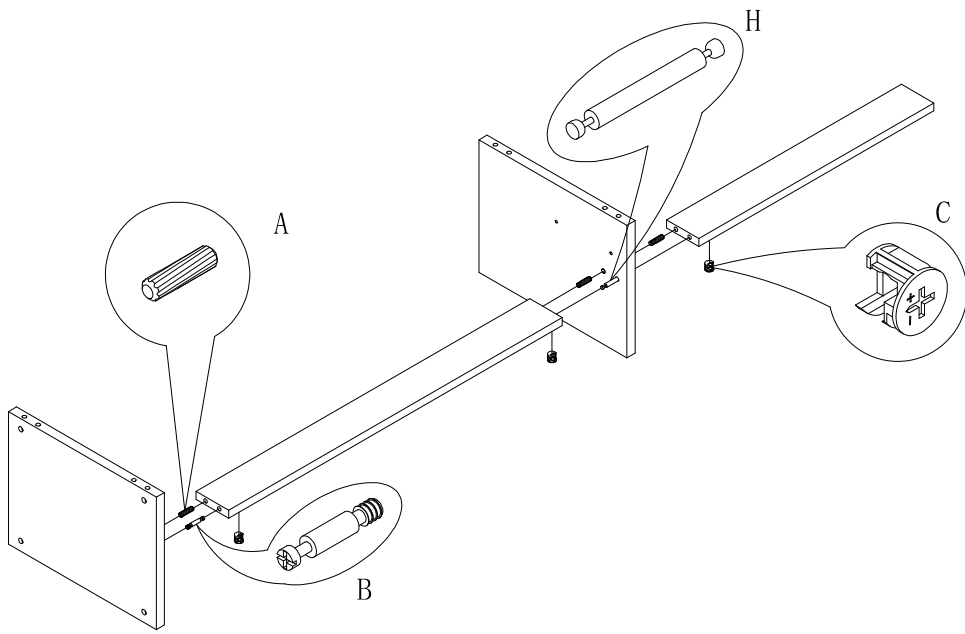
Z x3  
Spec:  $56 \times 18 \times 7$



Z1 x1  
Spec:

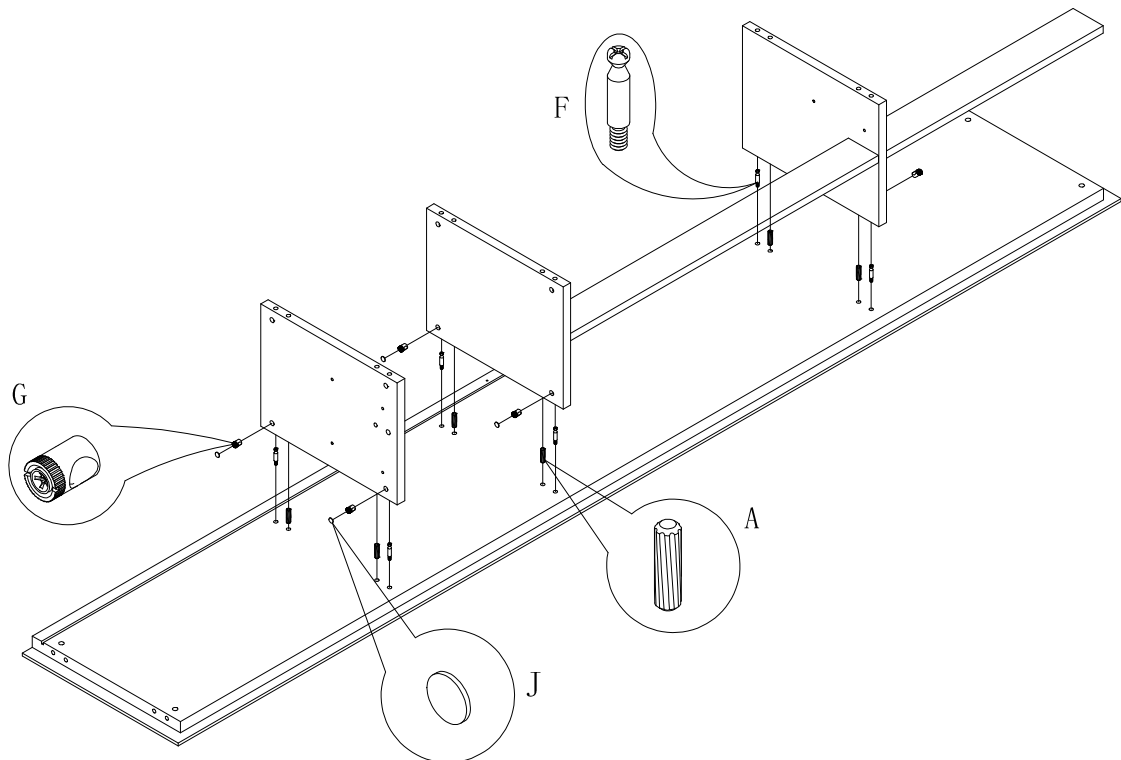


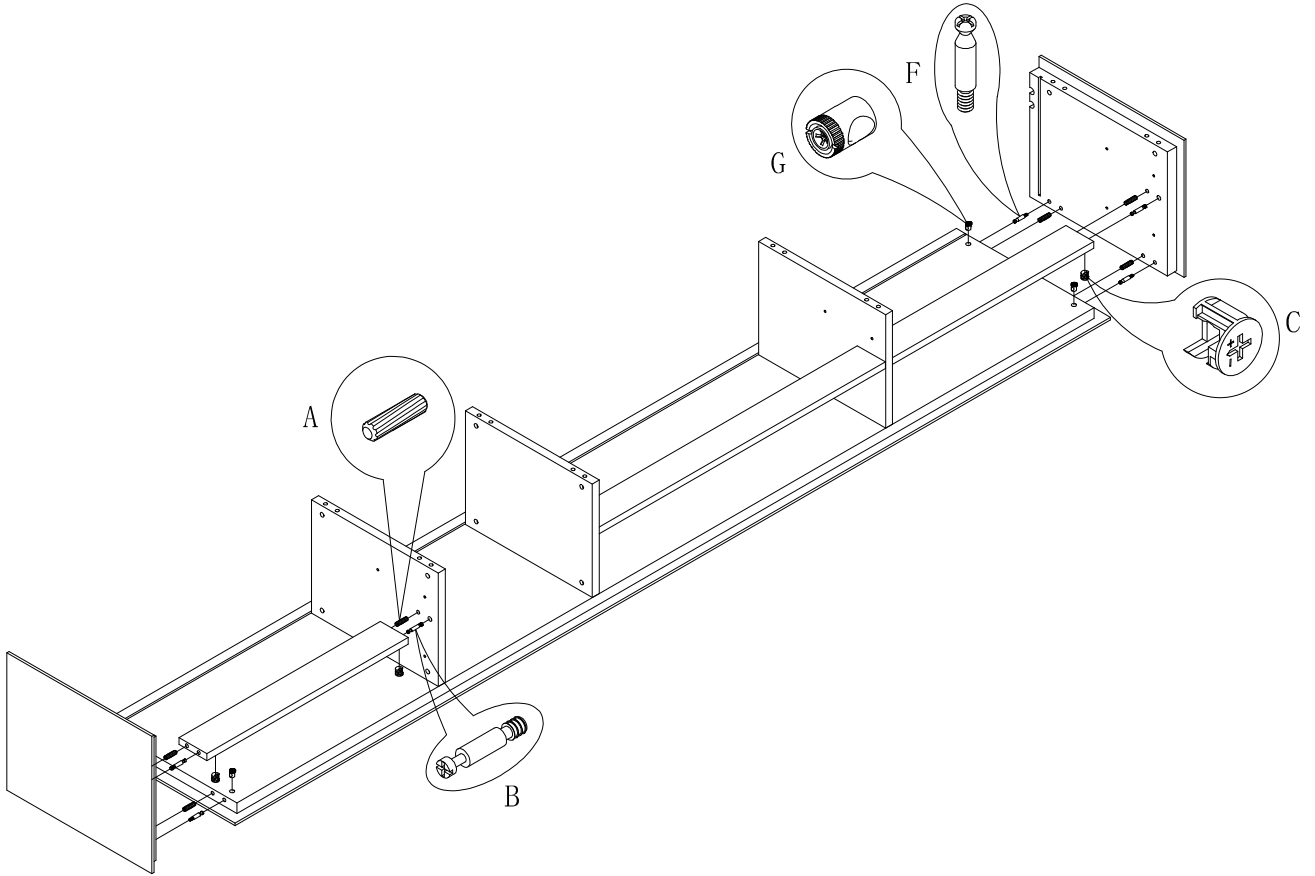
AAA x20  
Spec:  $\varnothing 3.8 \times L12$



1

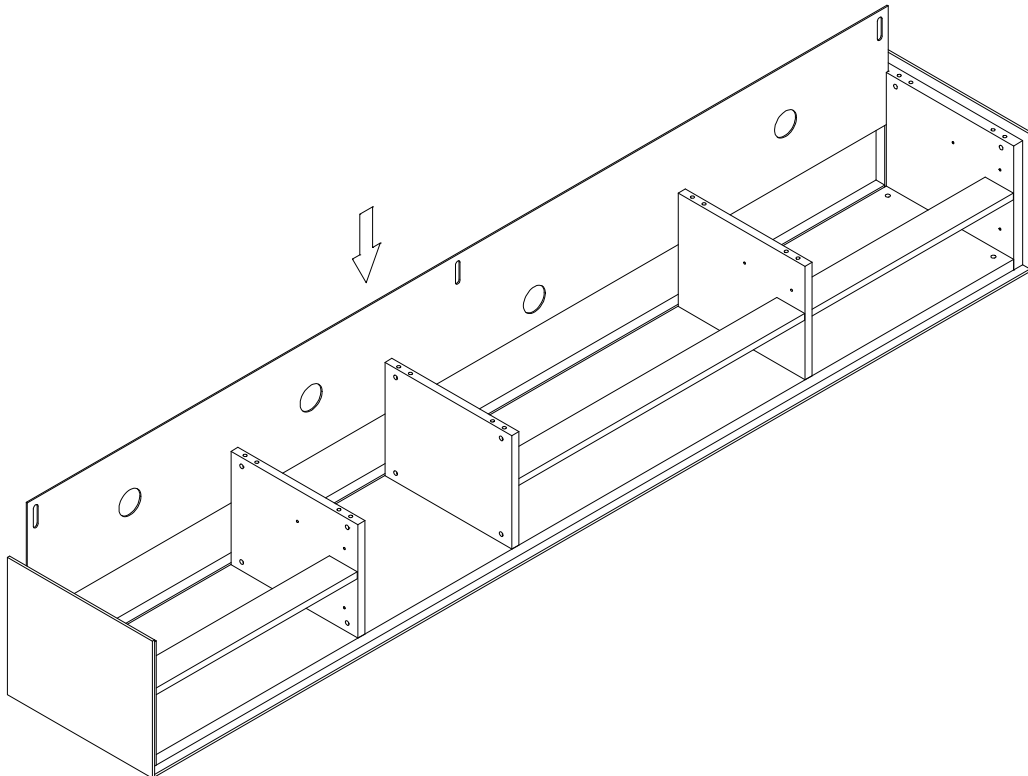
2

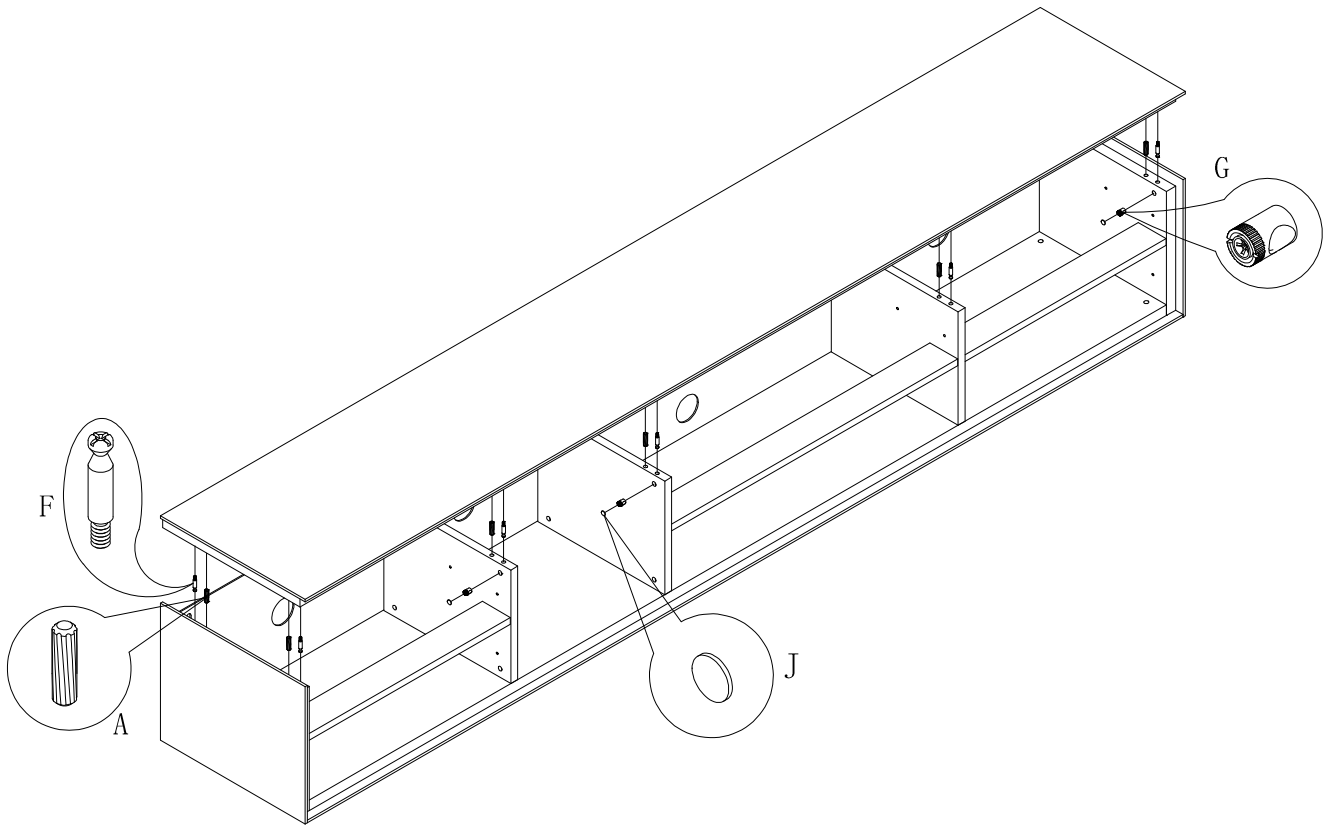




3

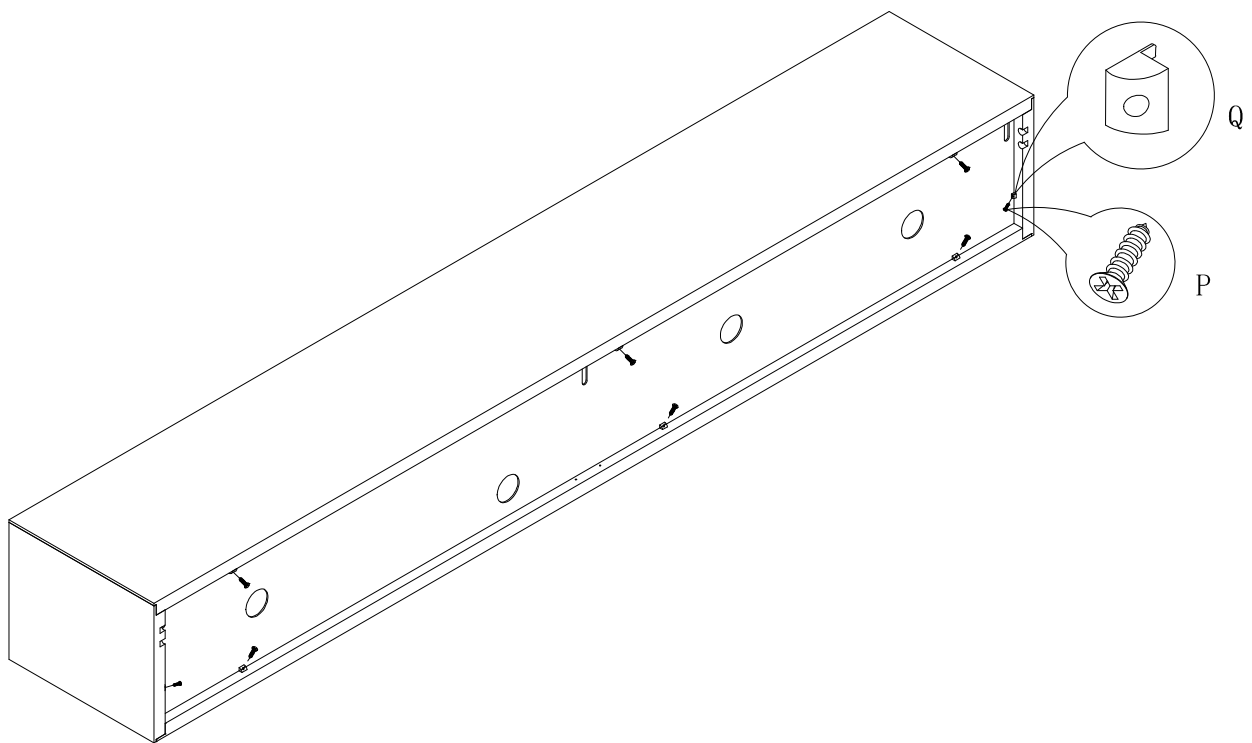
4

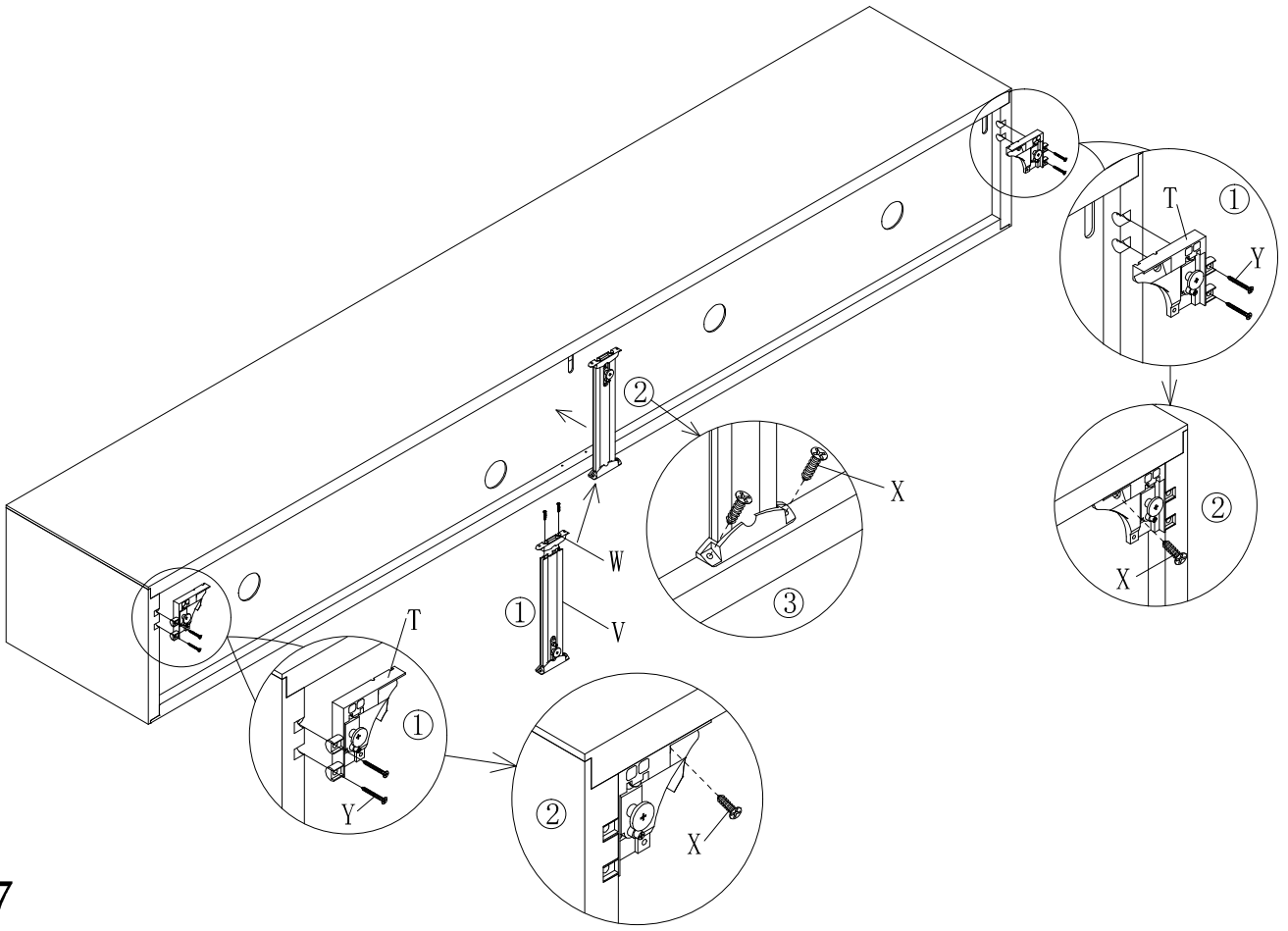




5

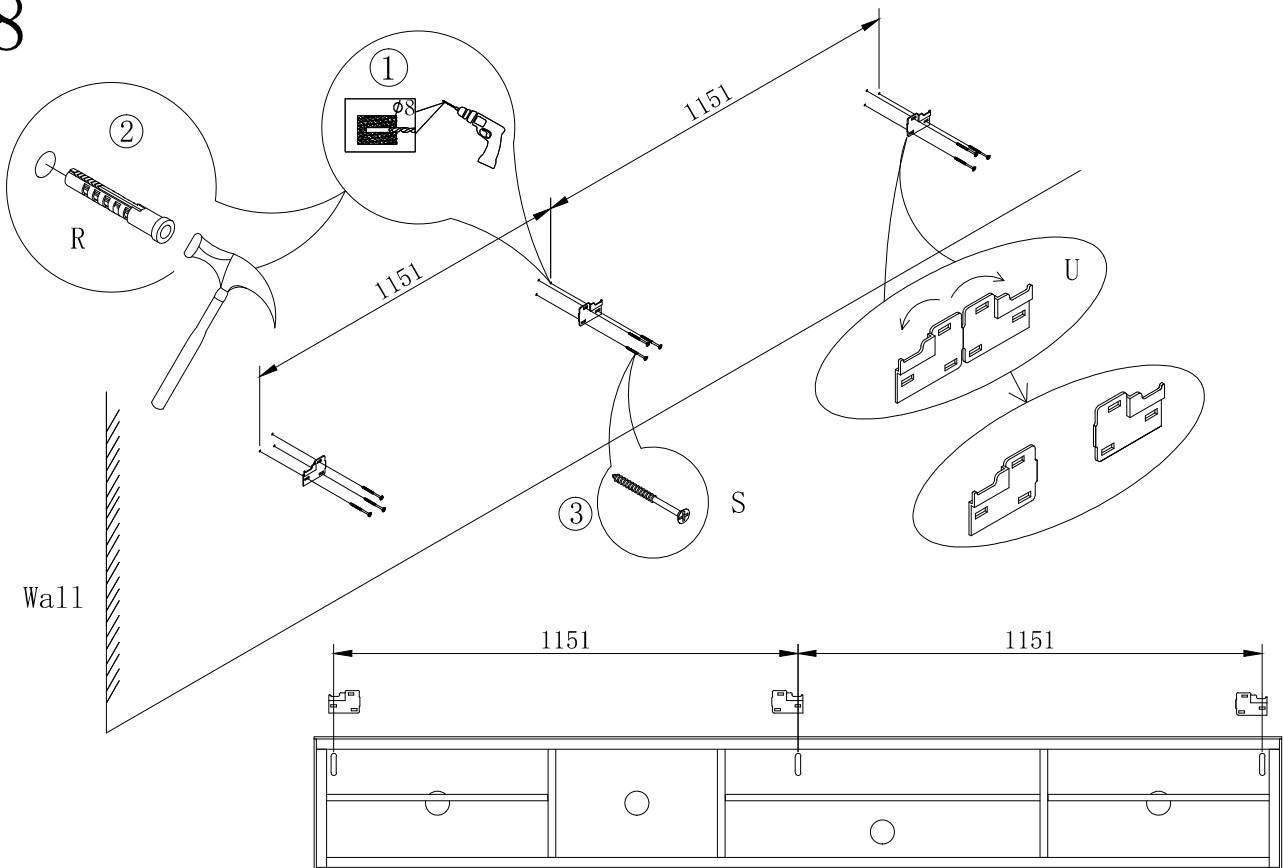
6

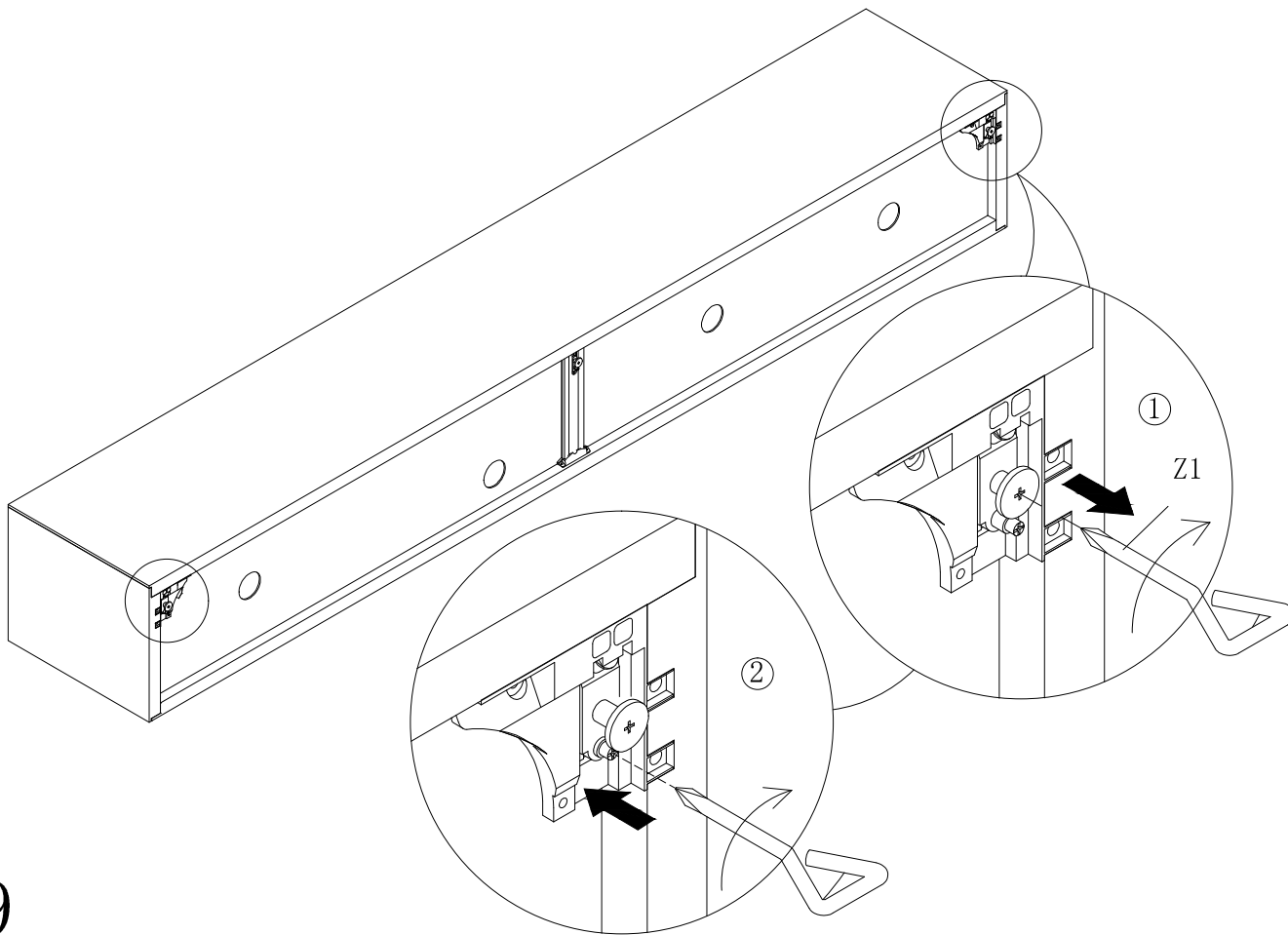




7

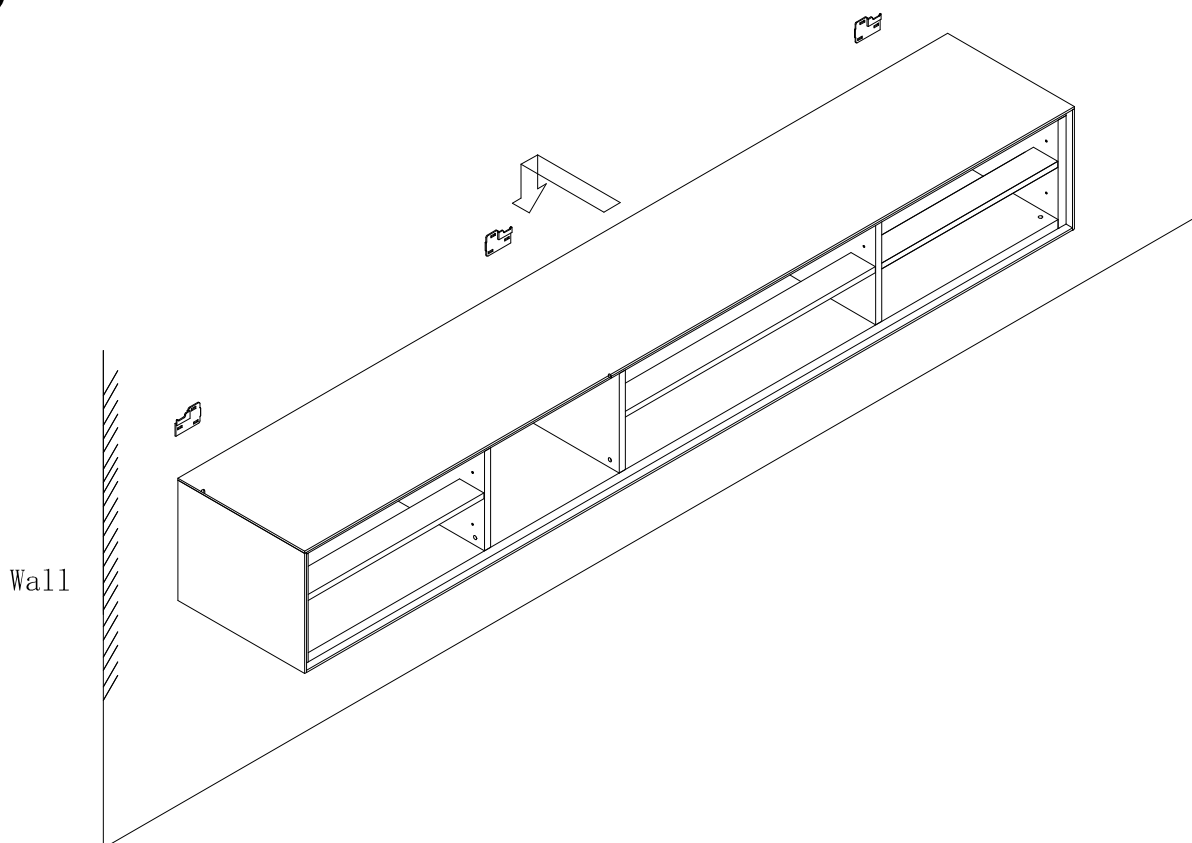
8

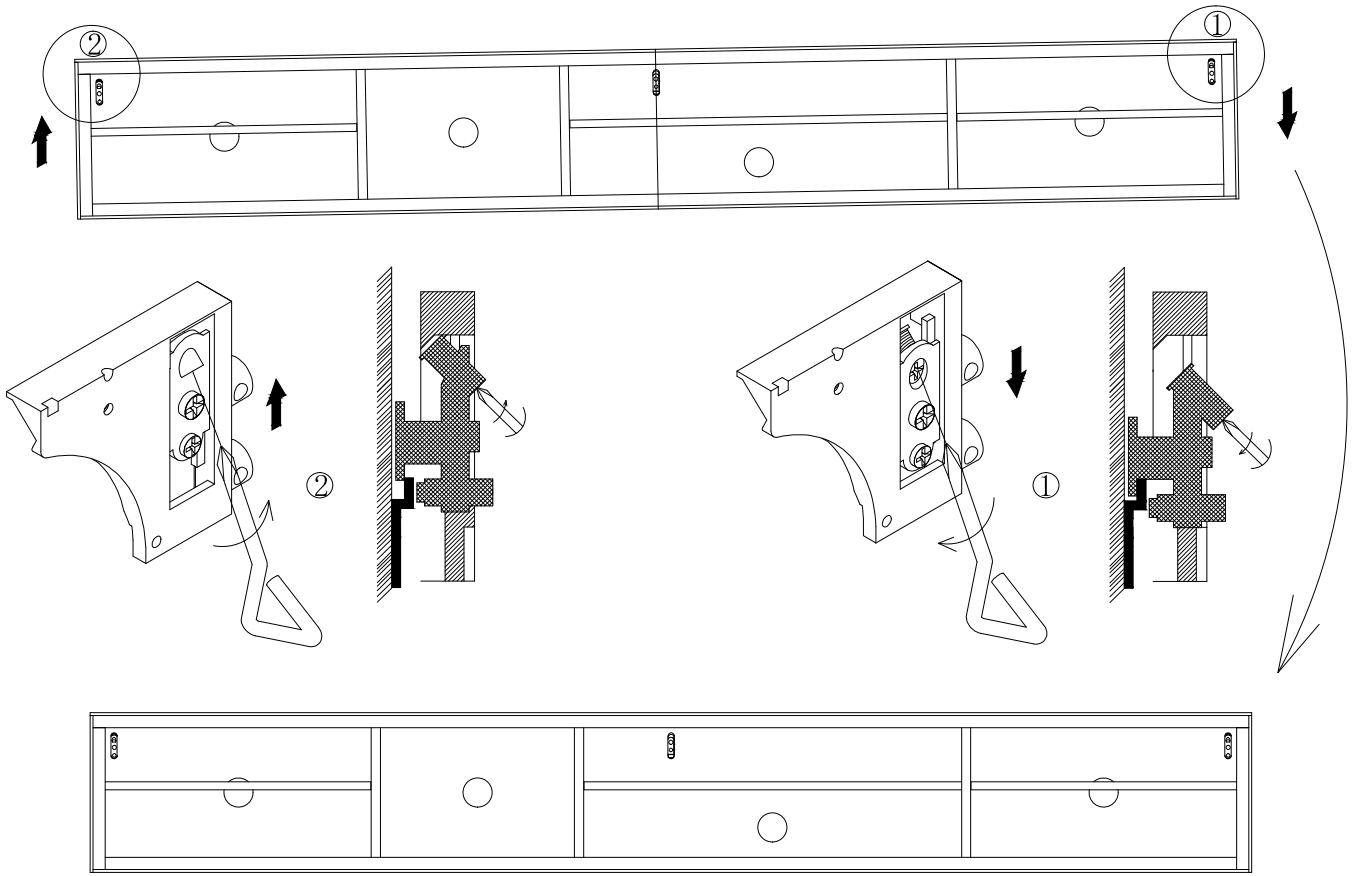




9

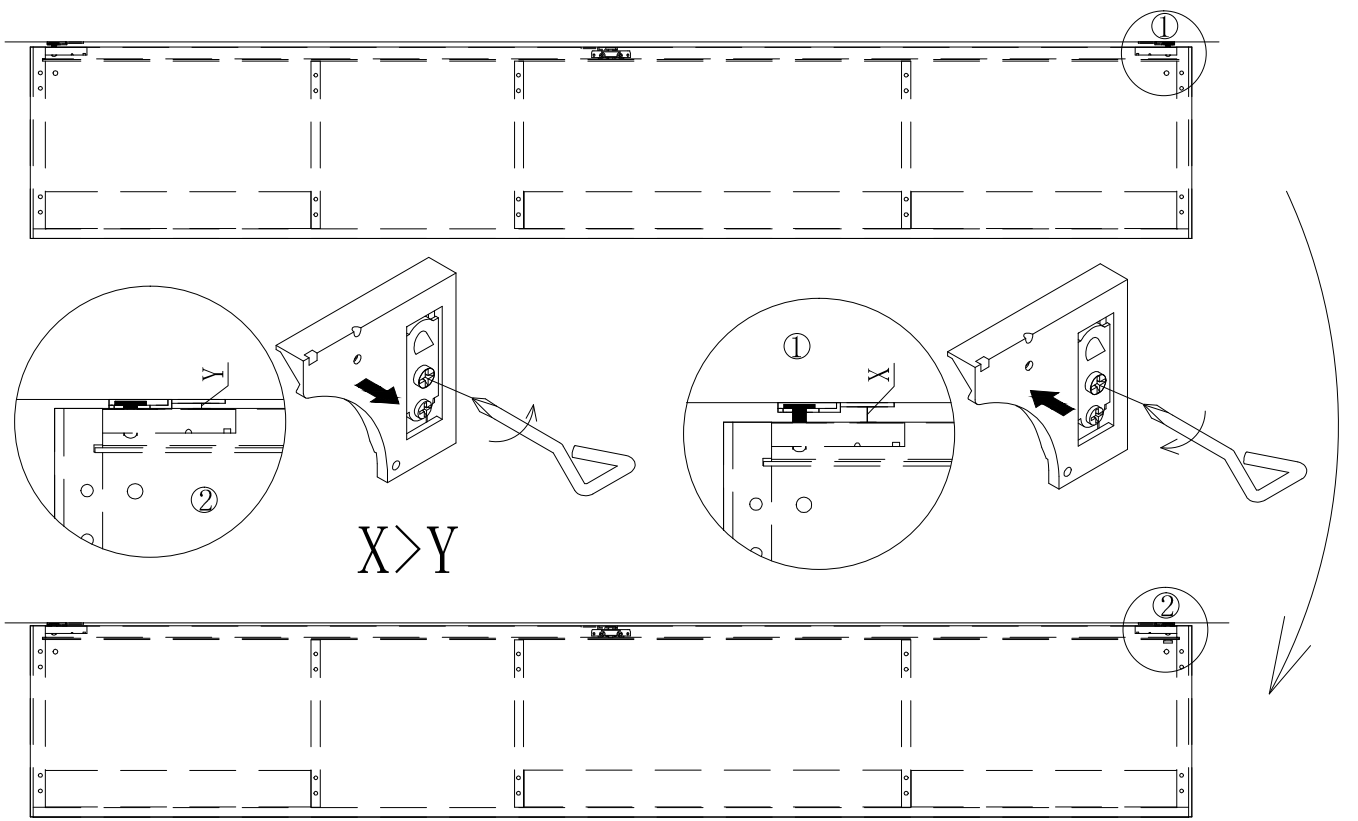
10





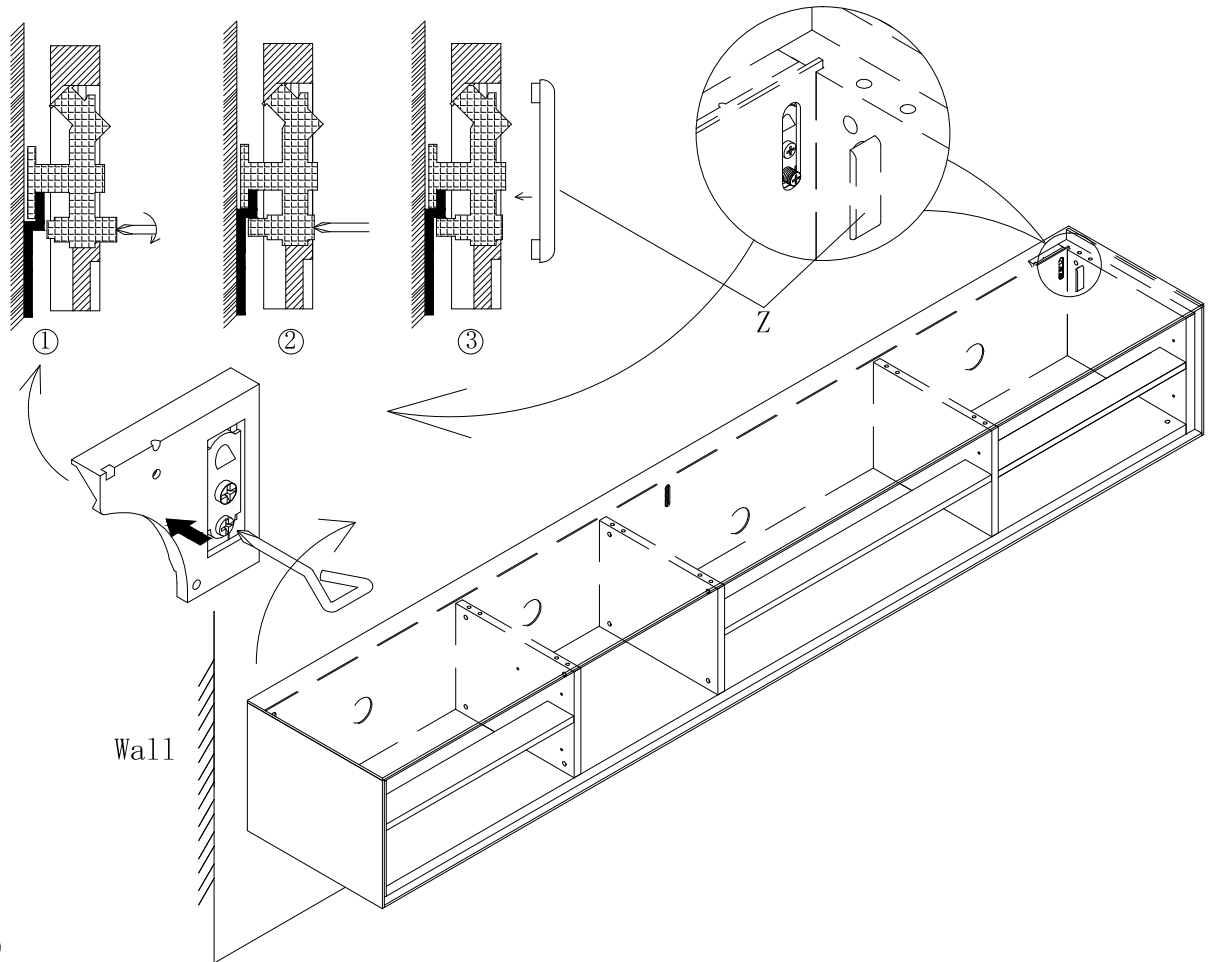
11

12

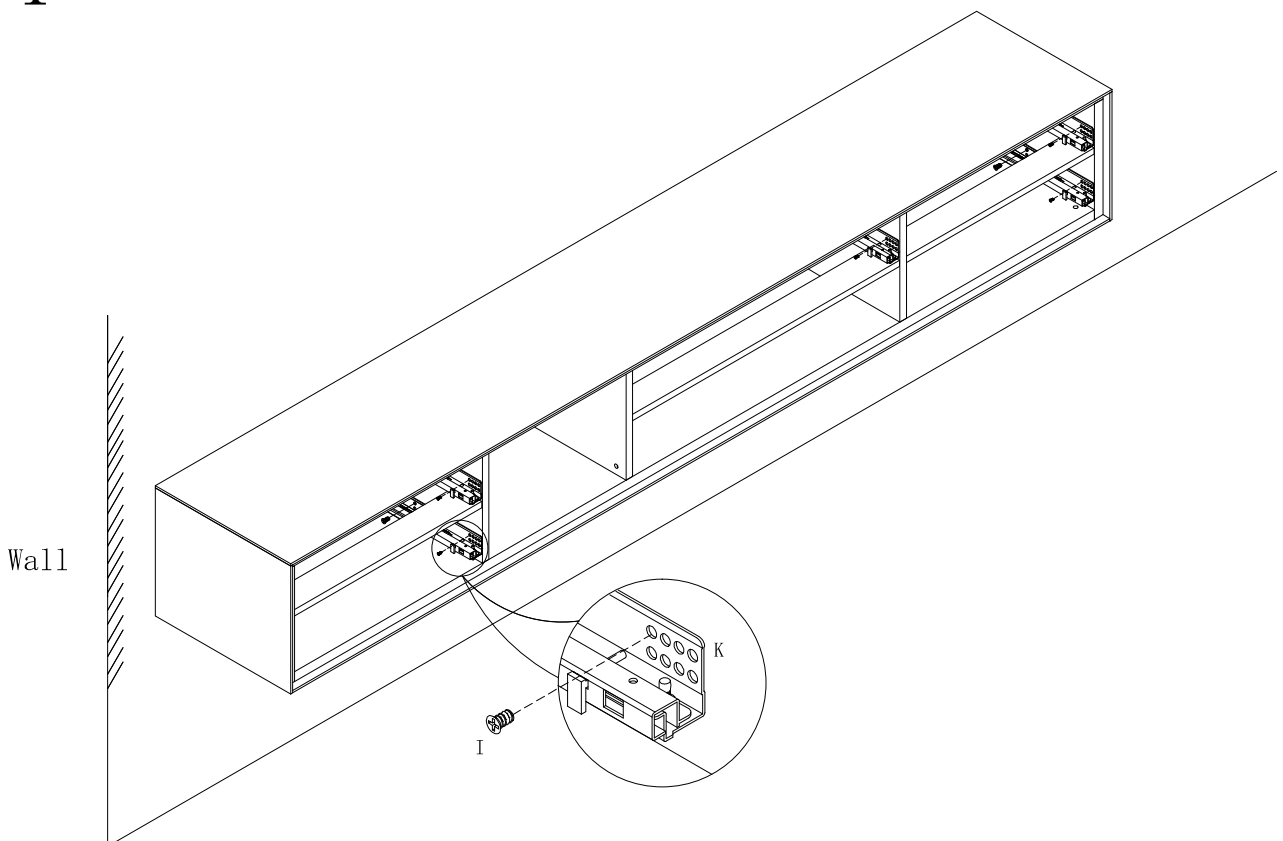


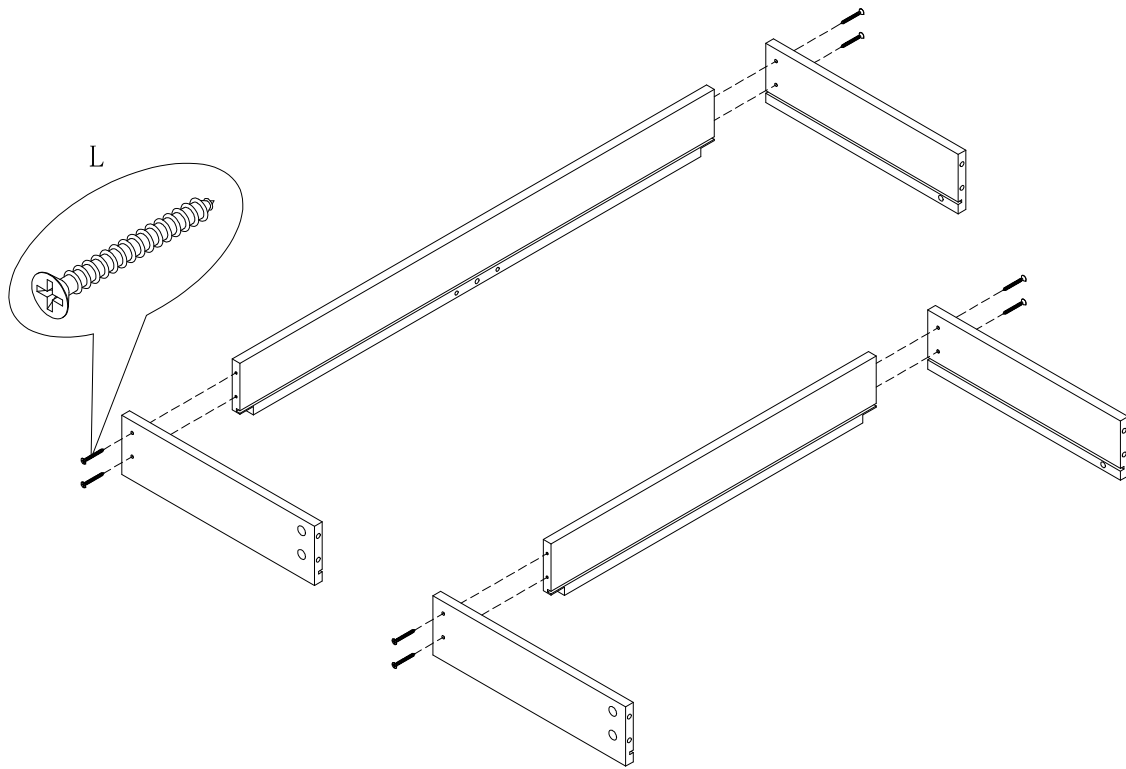
$X > Y$





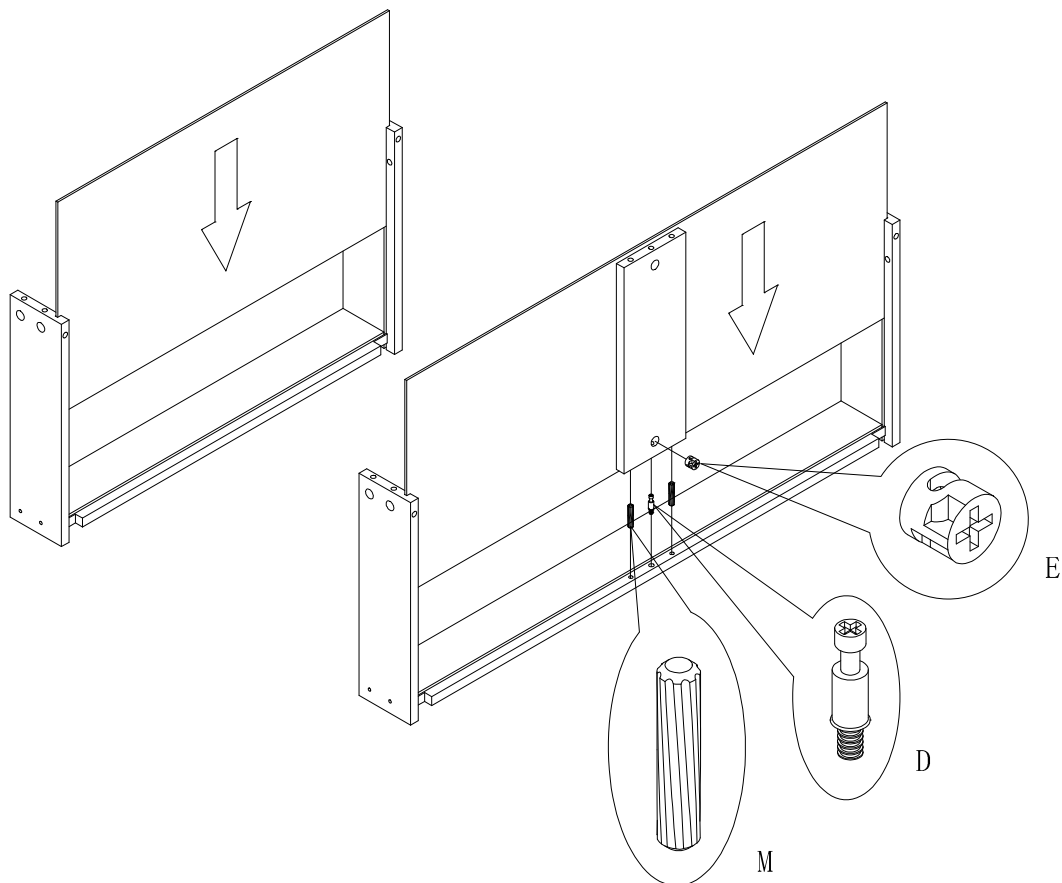
14

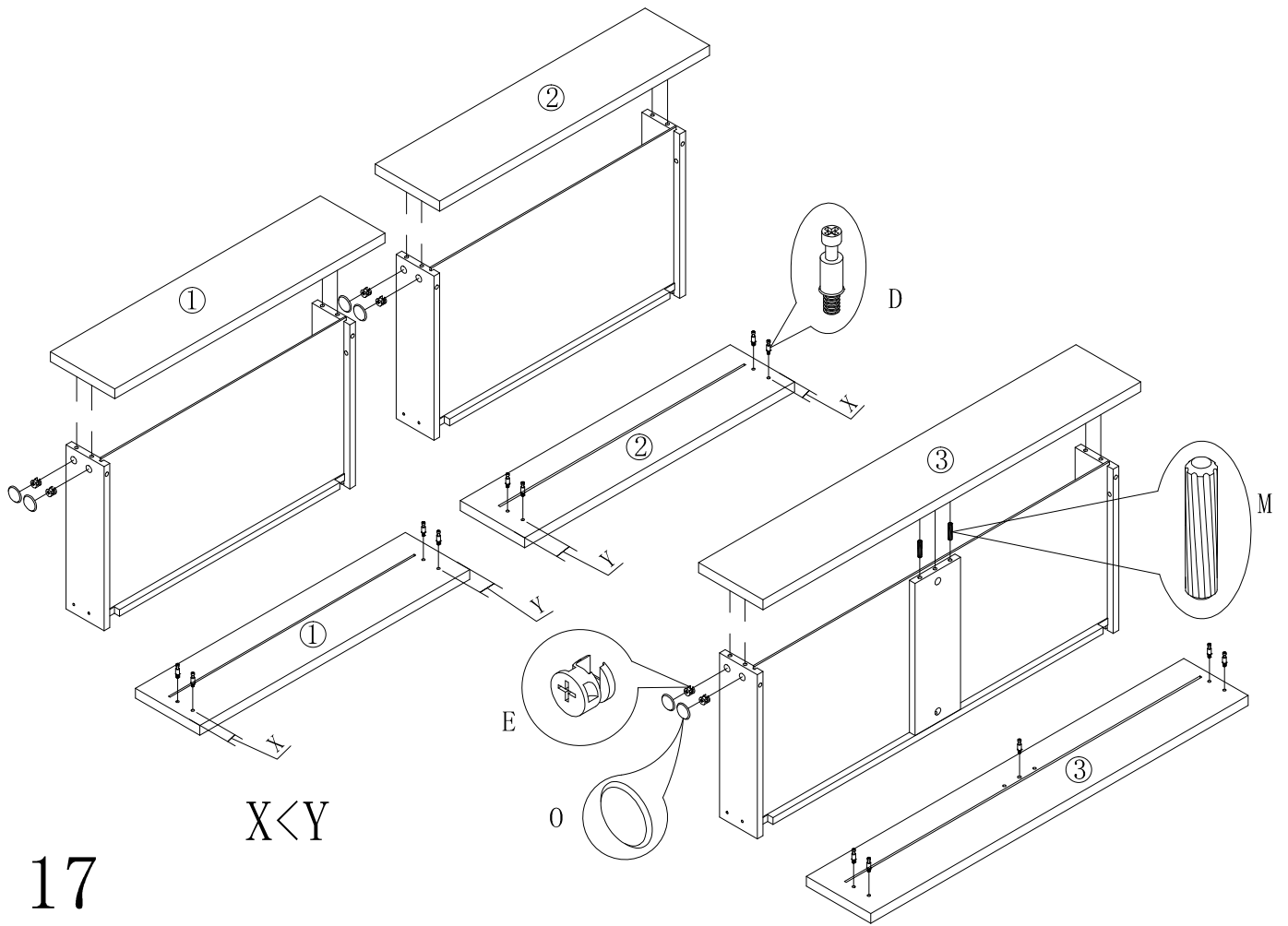




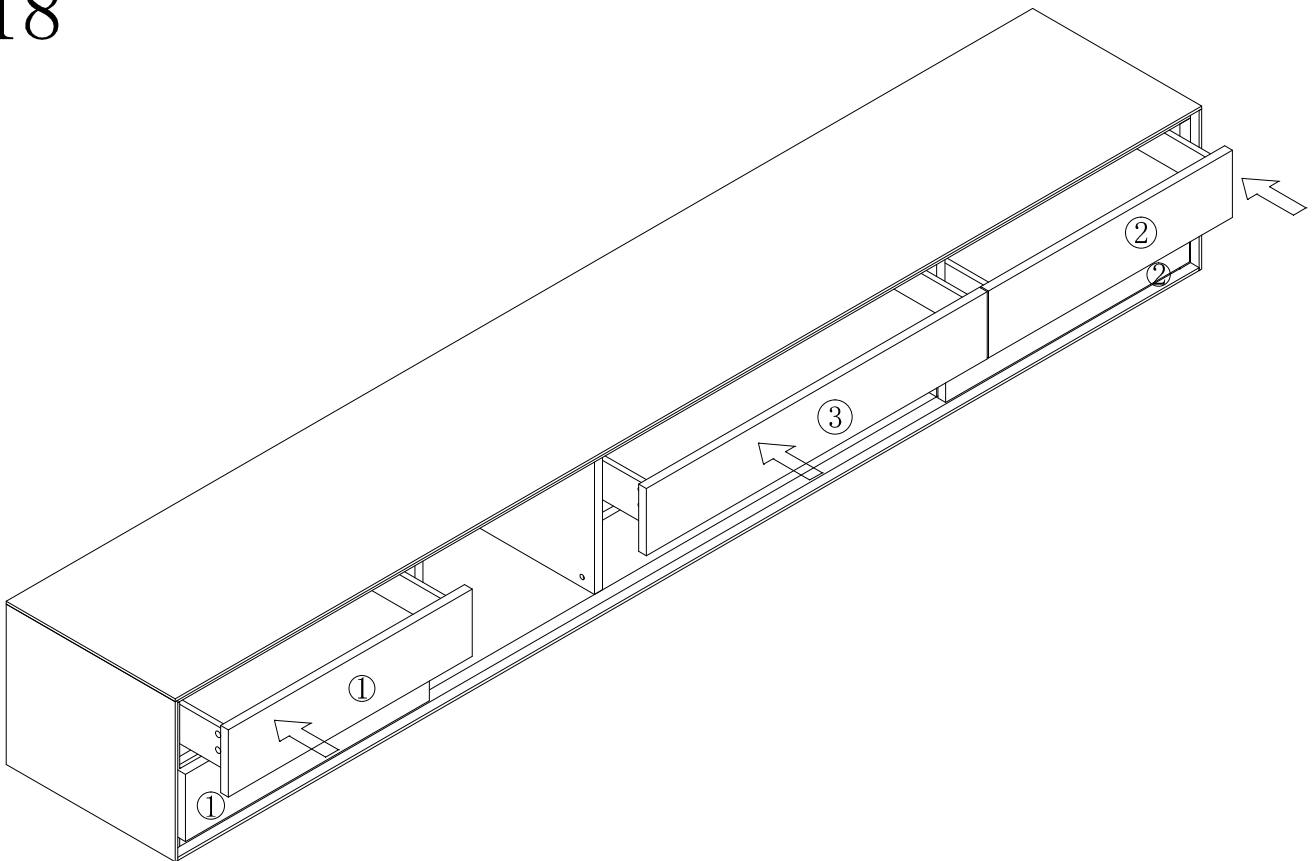
15

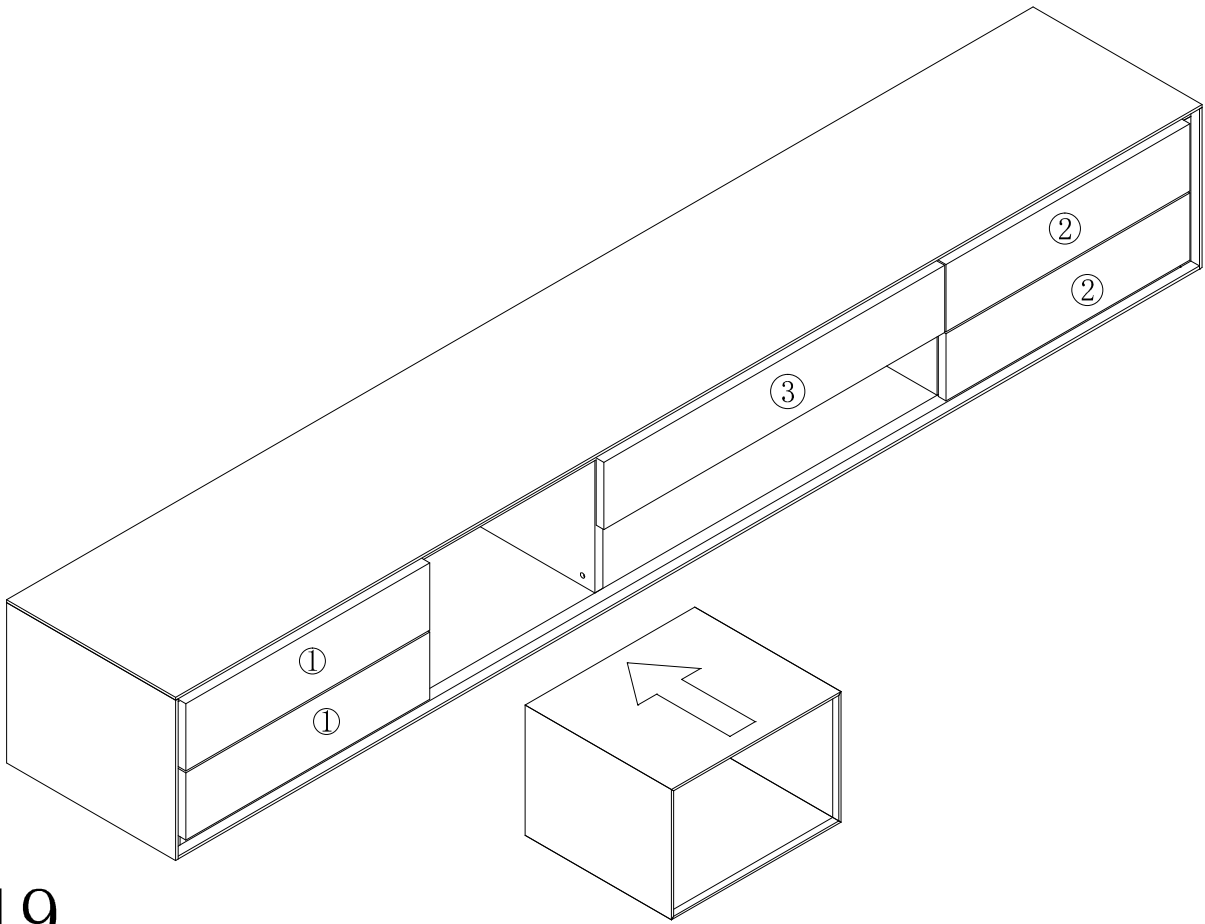
16





18





19

---