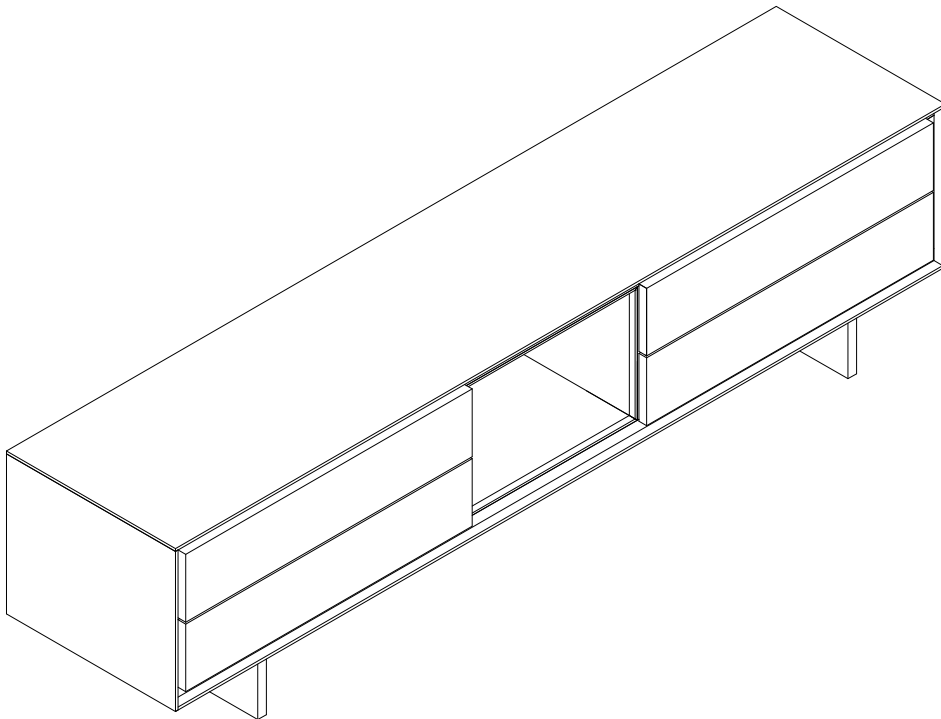


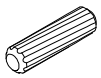
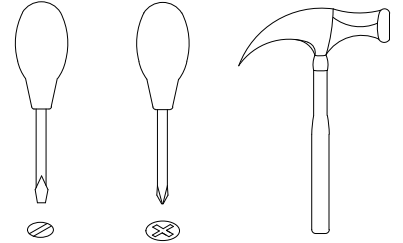
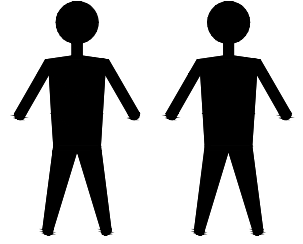


# CP2202TV5

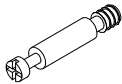


**EAC**

# # CP2202TV5



A x20  
Spec:  $\varnothing 8 \times 30$



B x20  
Spec:  $\varnothing 7 \times L30$



C x20  
Spec:  $\varnothing 15 \times H12$



D x24  
Spec:  $\varnothing 6 \times L28$



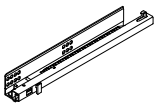
E x24  
Spec:  $\varnothing 12 \times H9$



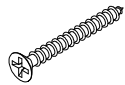
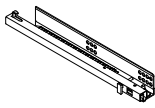
F x16  
Spec:  $\varnothing 6 \times 30$



G x16  
Spec:  $\varnothing 6 \times L8$



H x4  
Spec: L300



I x16  
Spec:  $\varnothing 3.5 \times L35$



J x28  
Spec:



K x16  
Spec:



L x8  
Spec:  $\varnothing 3.5 \times L16$



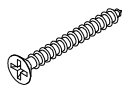
M x8  
Spec: H13



N x8  
Spec:  $\varnothing 3.8 \times L16$



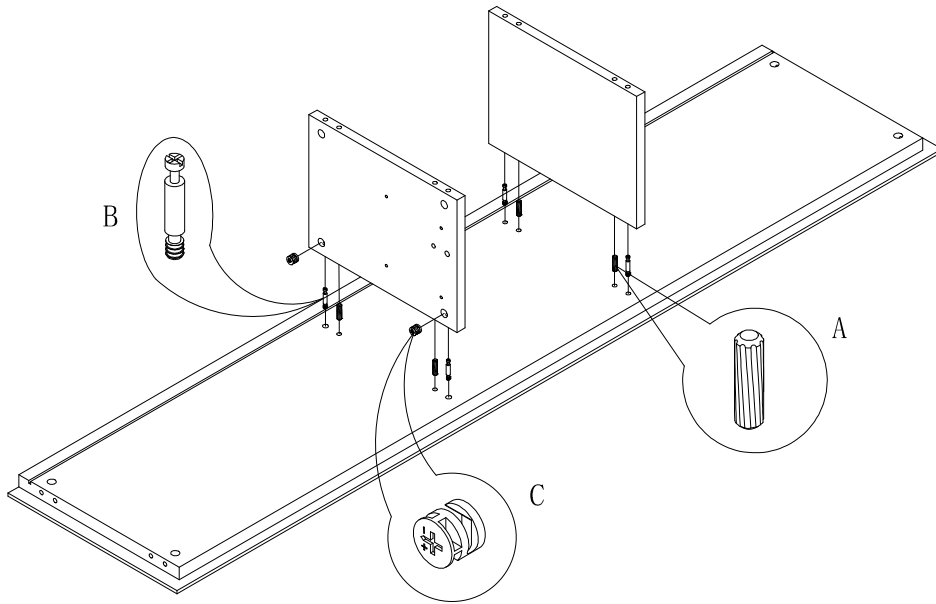
O x4  
Spec: 15\*15



P x5  
Spec:  $\varnothing 3.8 \times L50$

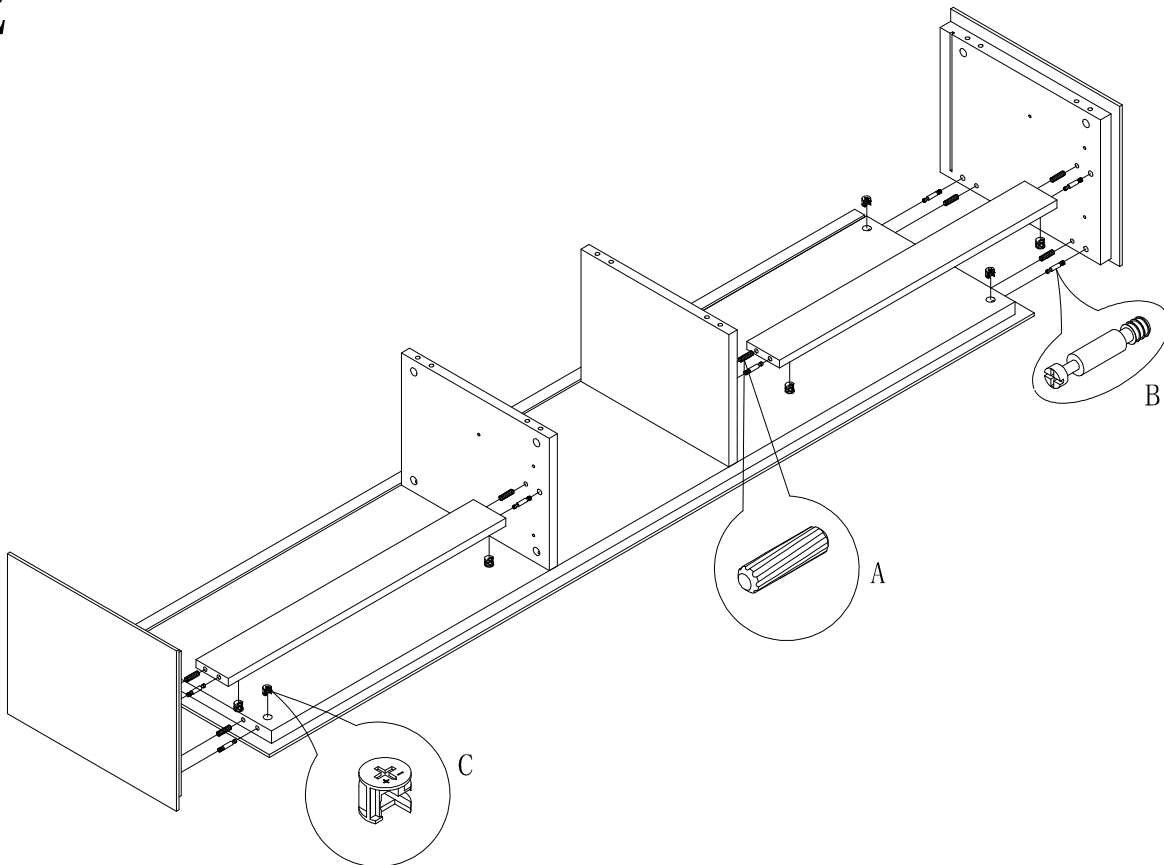


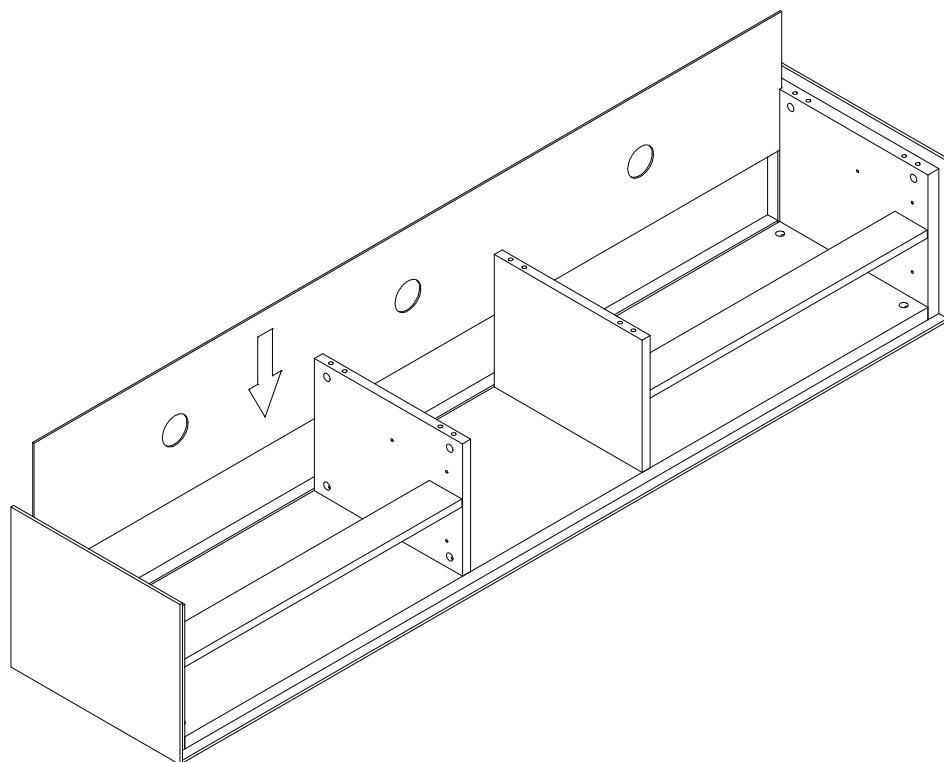
AAA x16  
Spec:  $\varnothing 3.8 \times L12$



1

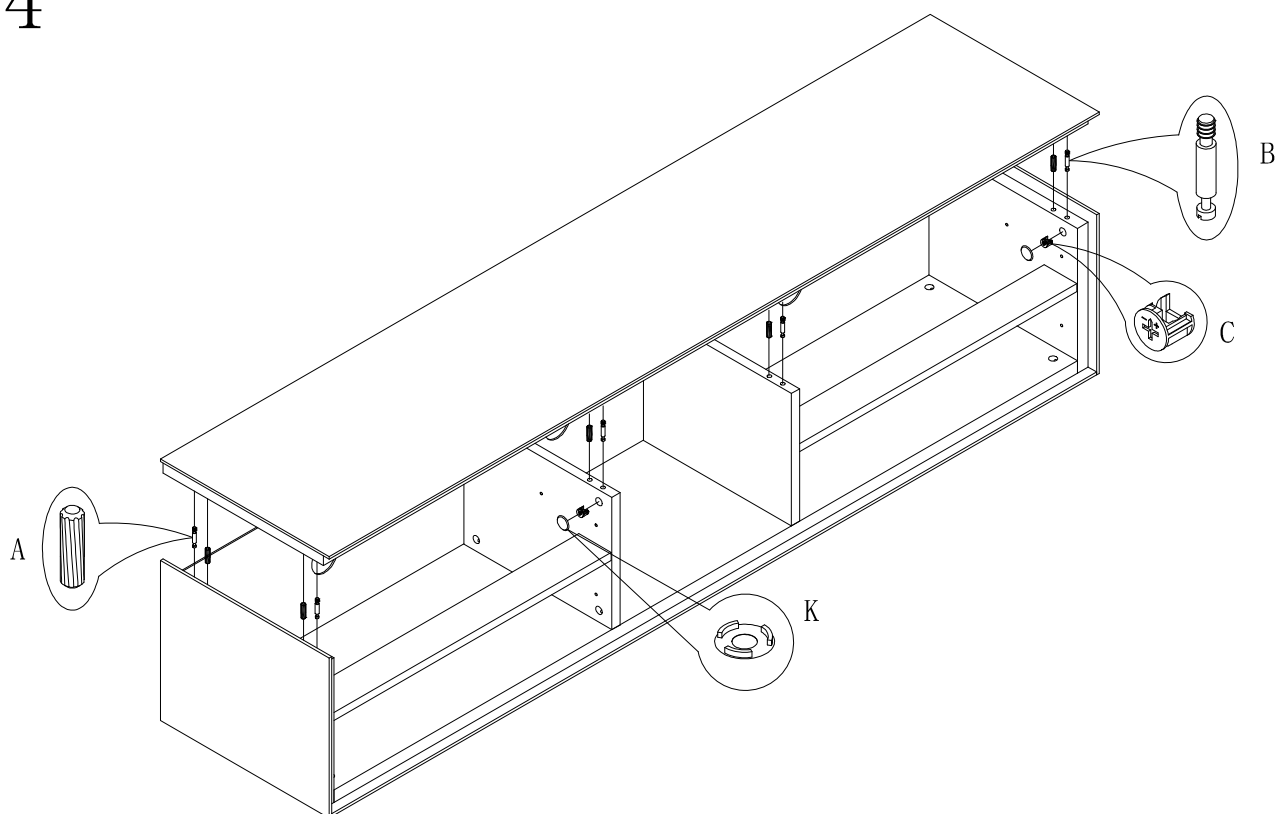
2

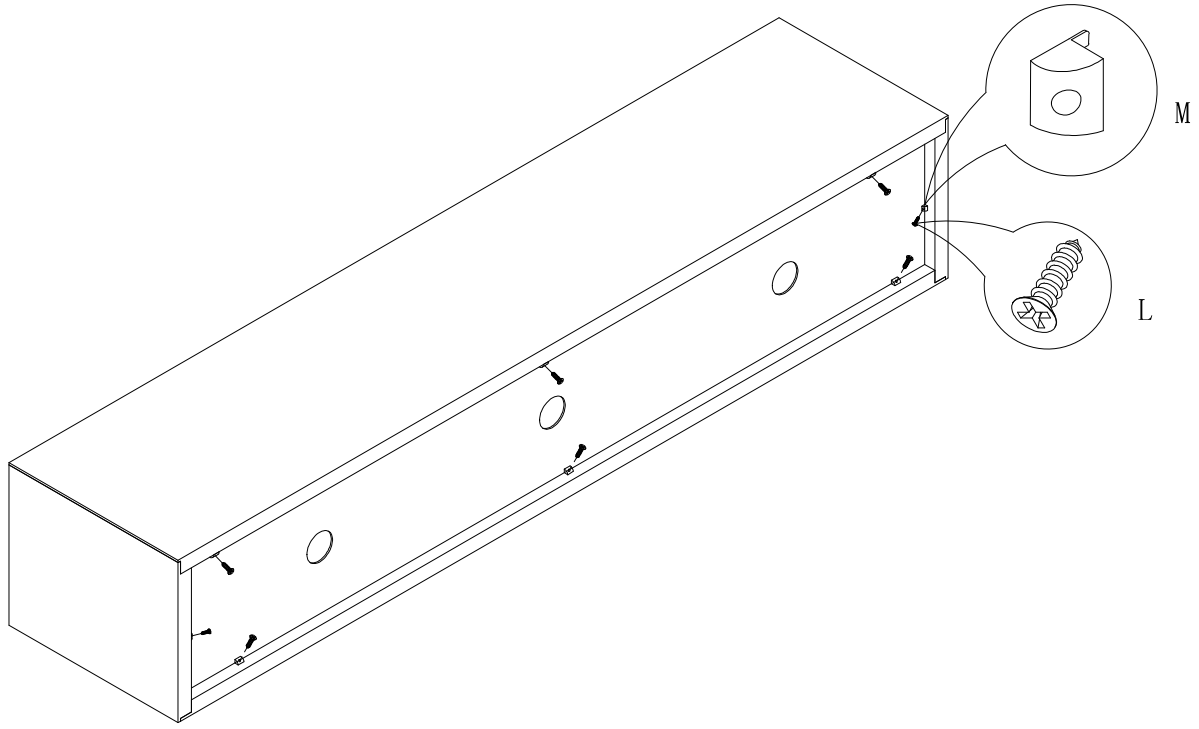




3

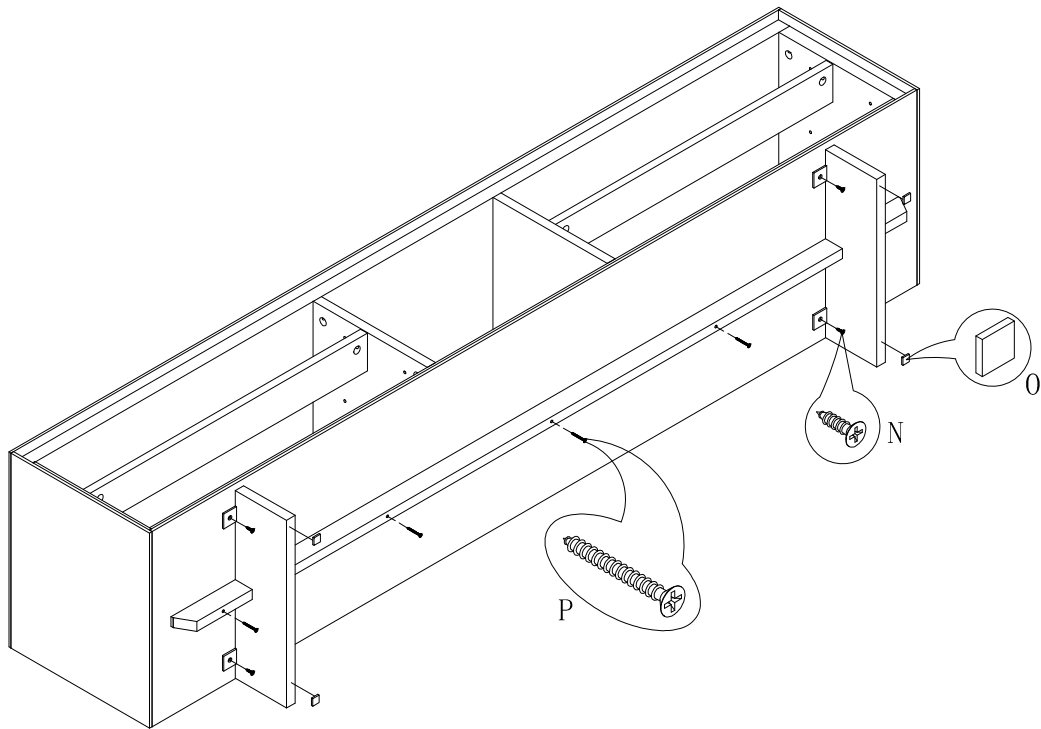
4

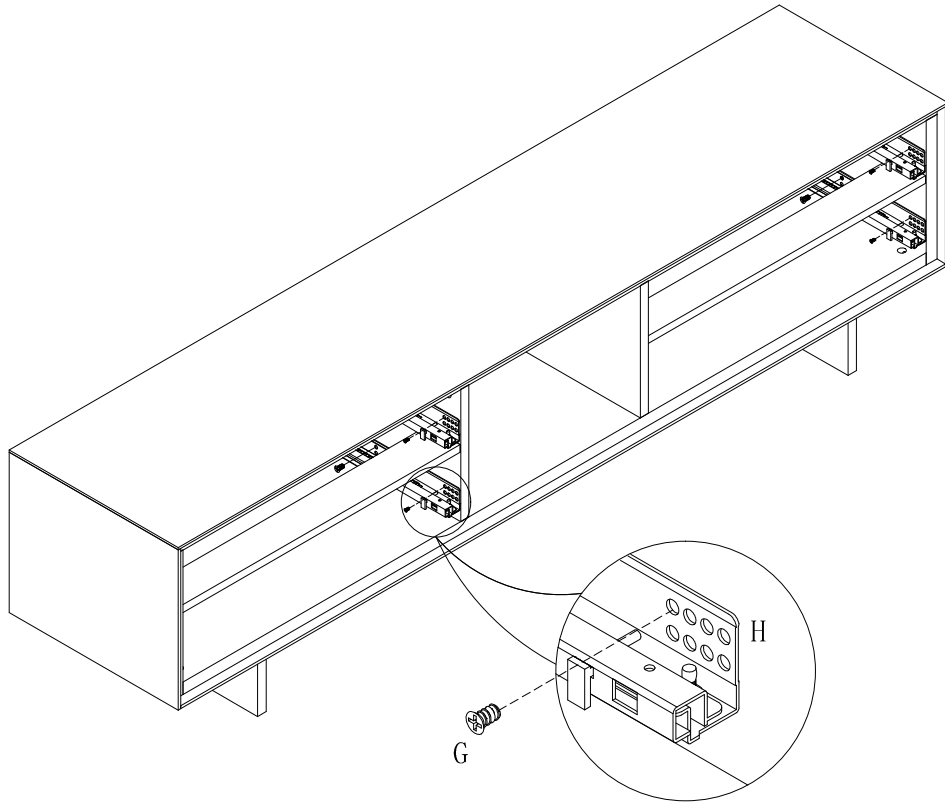




5

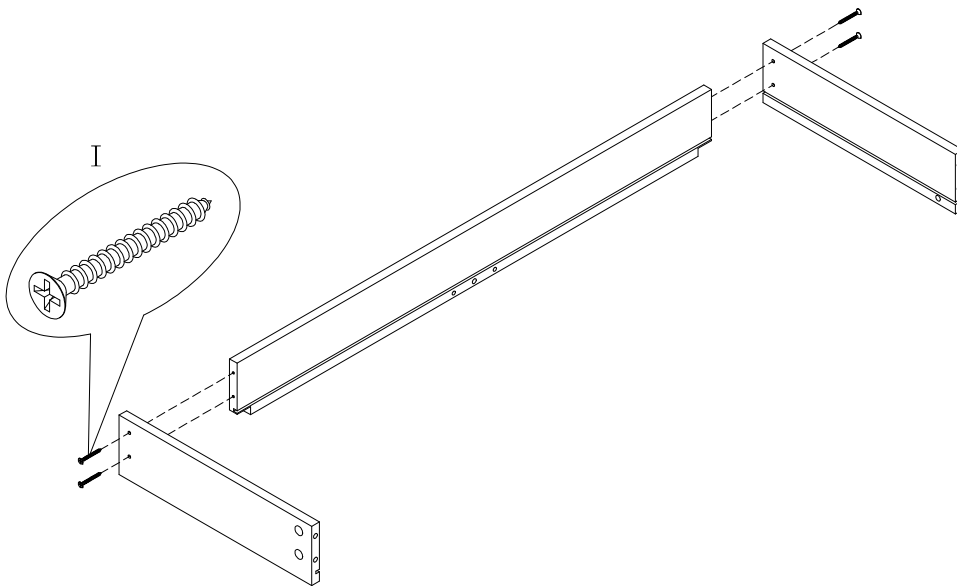
6

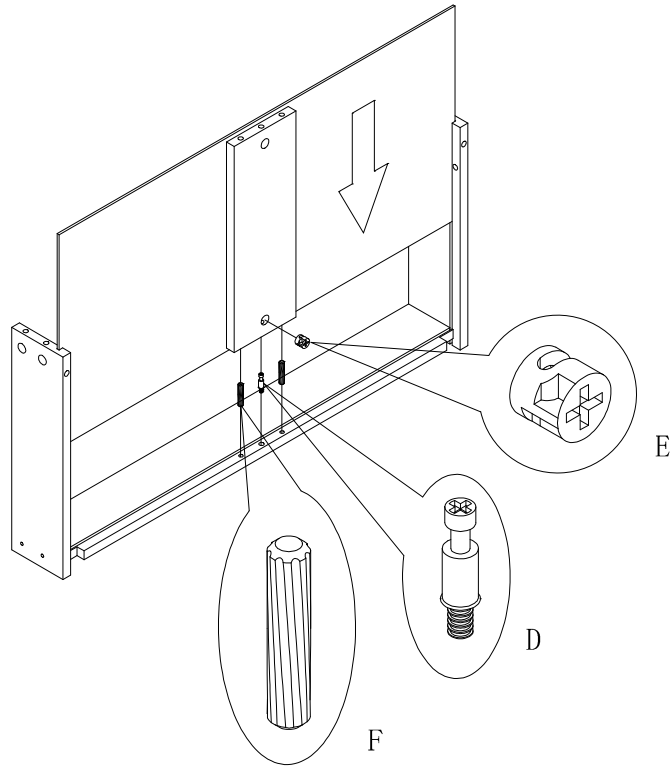




7

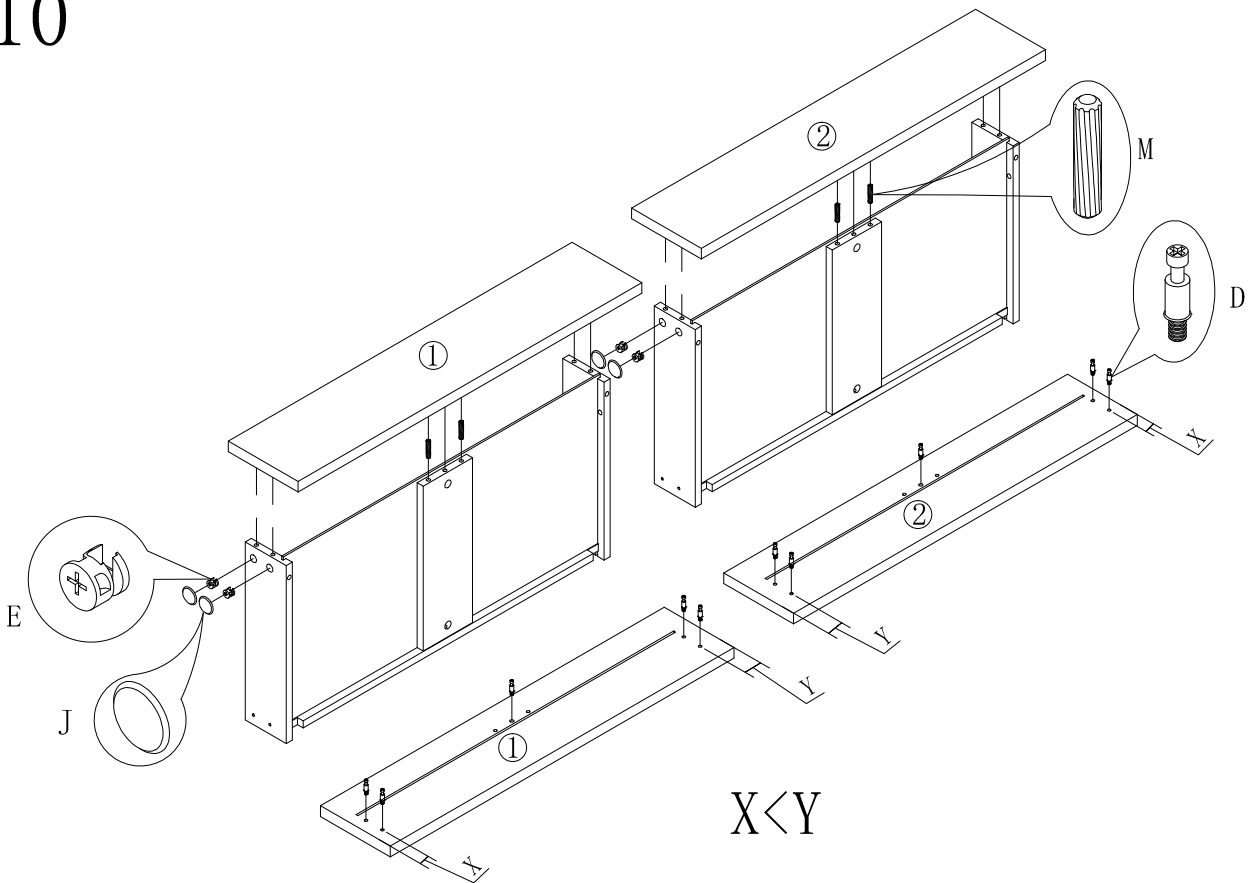
8

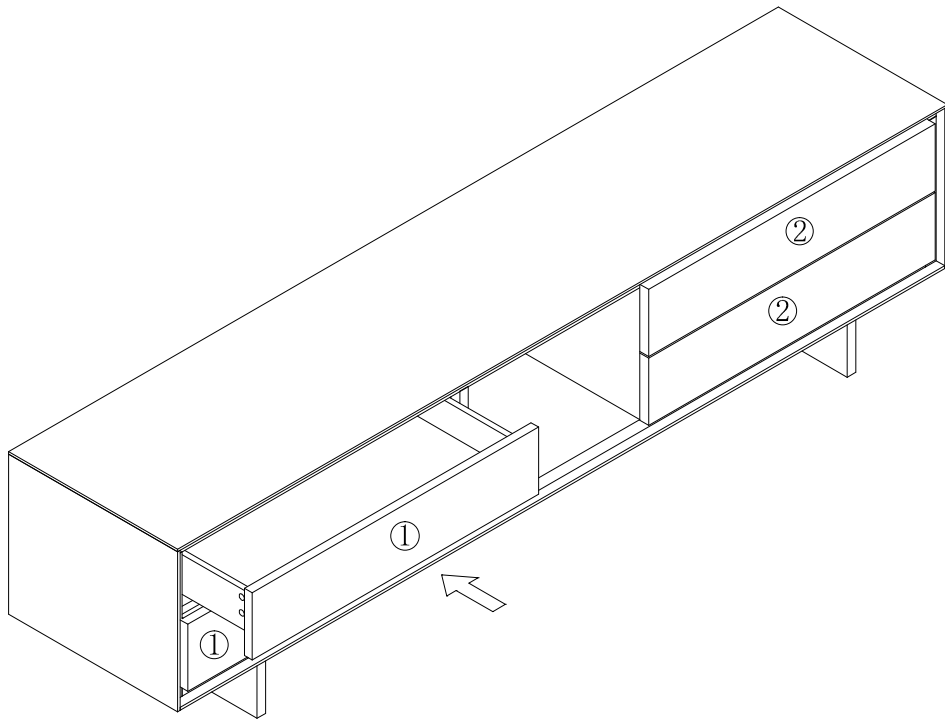




9

10





11

12

---

