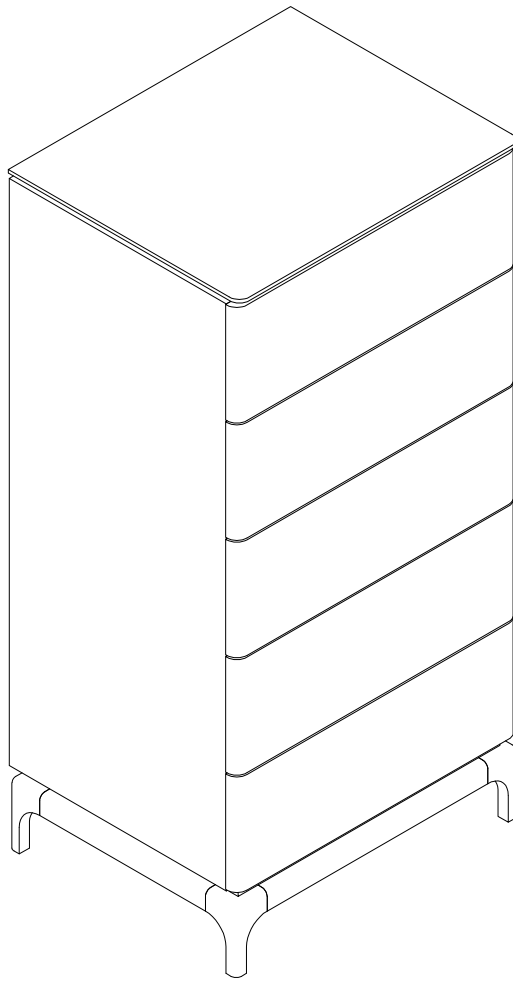
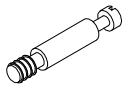
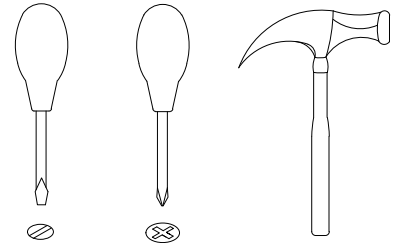
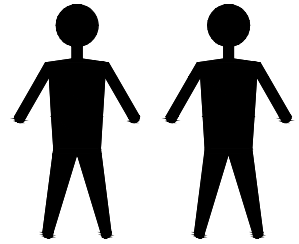




CP2303A2-V/V



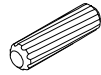
CP2303A2-V/V



A x14
Spec: $\phi 7 * L30$



B x14
Spec: $\phi 15 * H12$



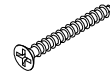
C x22
Spec: $\phi 8 * 30$



D x20
Spec: $\phi 6 * L28$



E x20
Spec: $\phi 12 * H9$



F x10
Spec: $\phi 3.8 * L25$



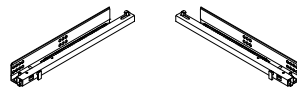
G x20
Spec: $\phi 6 * L8$



H x20
Spec: $\phi 3.5 * L35$



I x26
Spec: $\phi 6 * 30$



J x5
Spec: L350



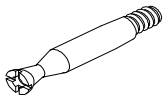
K x10
Spec: H13



L x10
Spec: $\phi 3.5 * L16$



M x30
Spec:



N x8
Spec: $\phi 7 * L48$



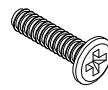
O x8
Spec: $\phi 15 * H15$



P x16
Spec:



Q x8
Spec: $\phi 8 * \phi 14$



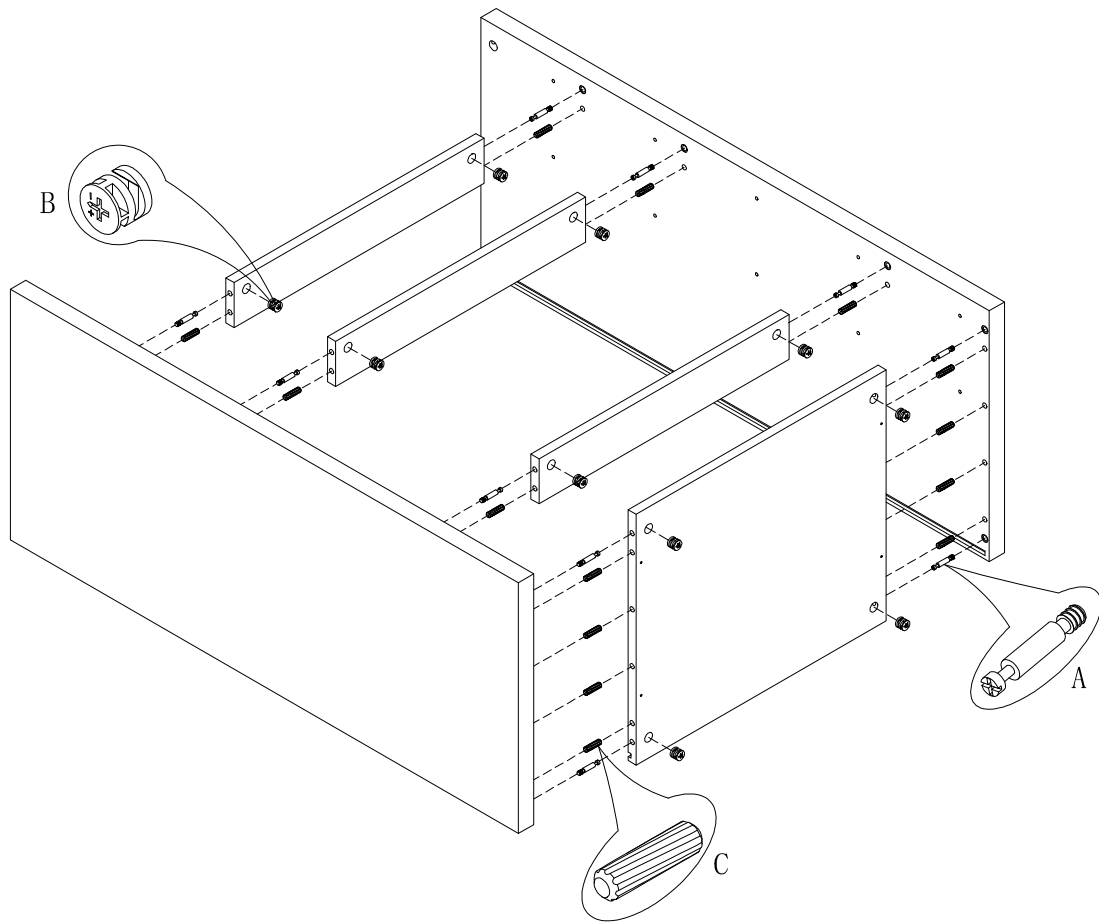
R x8
Spec: M6*35



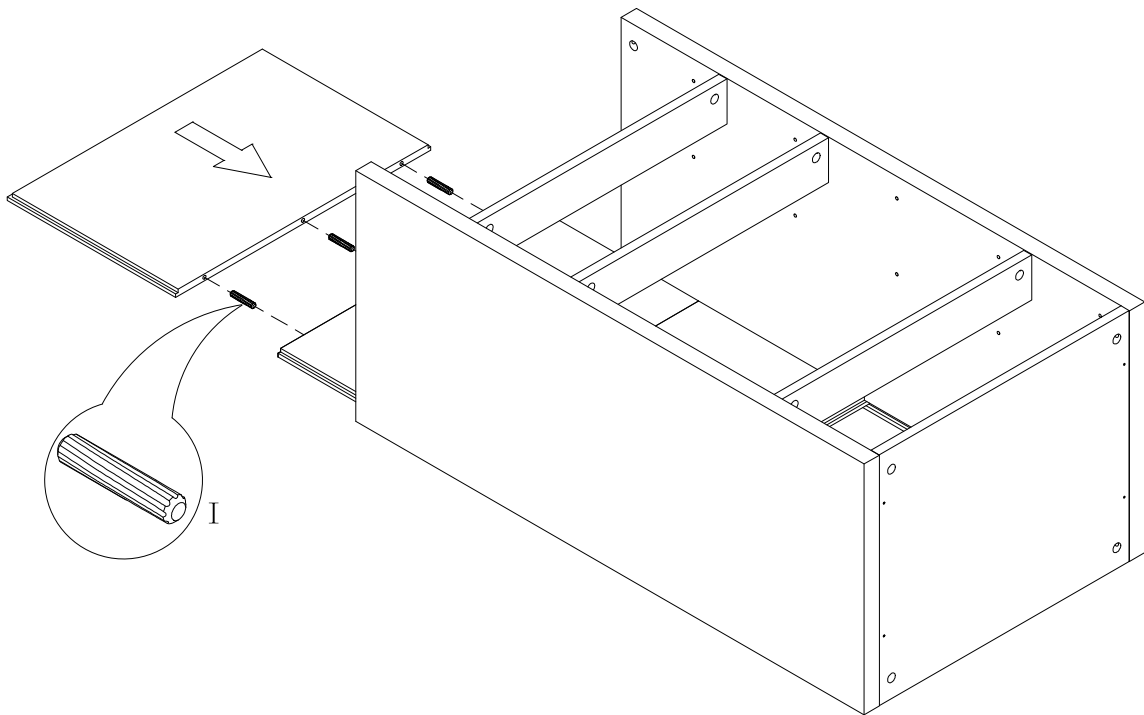
S x4
Spec:

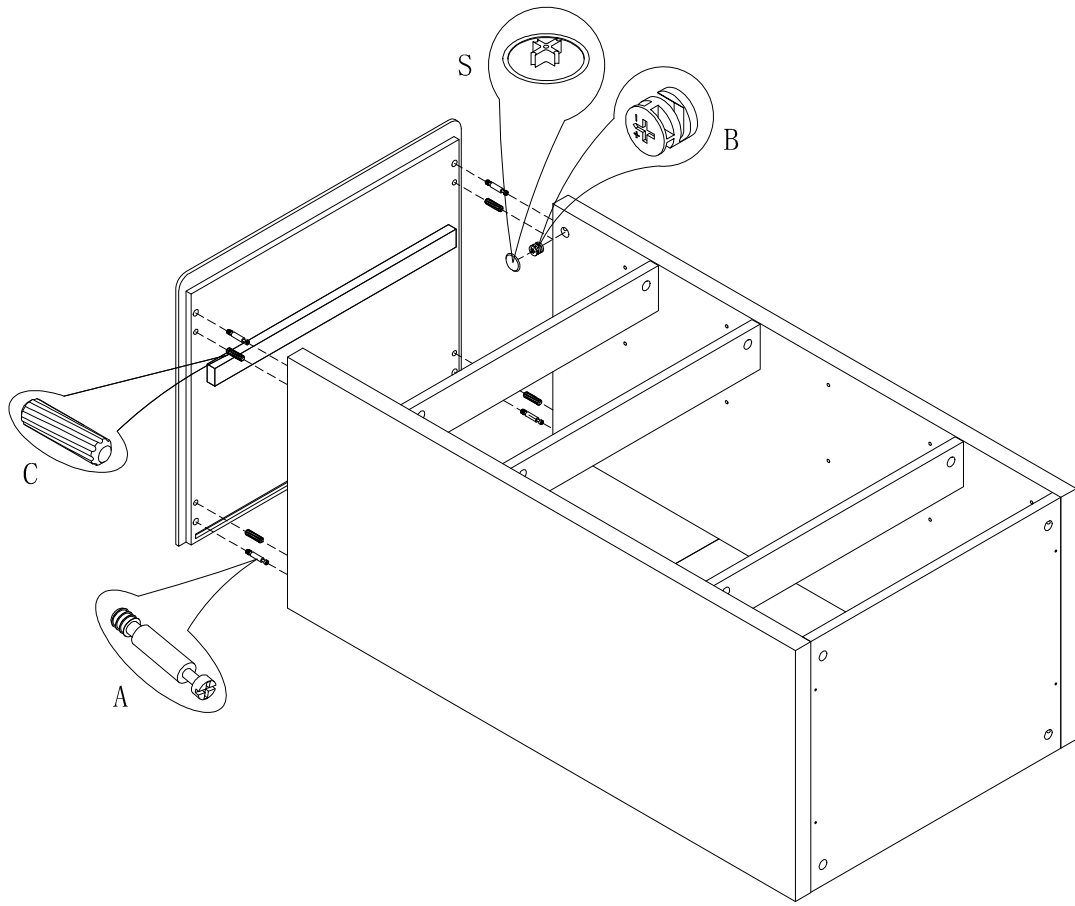


AAA x20
Spec: $\phi 3.8 * L12$



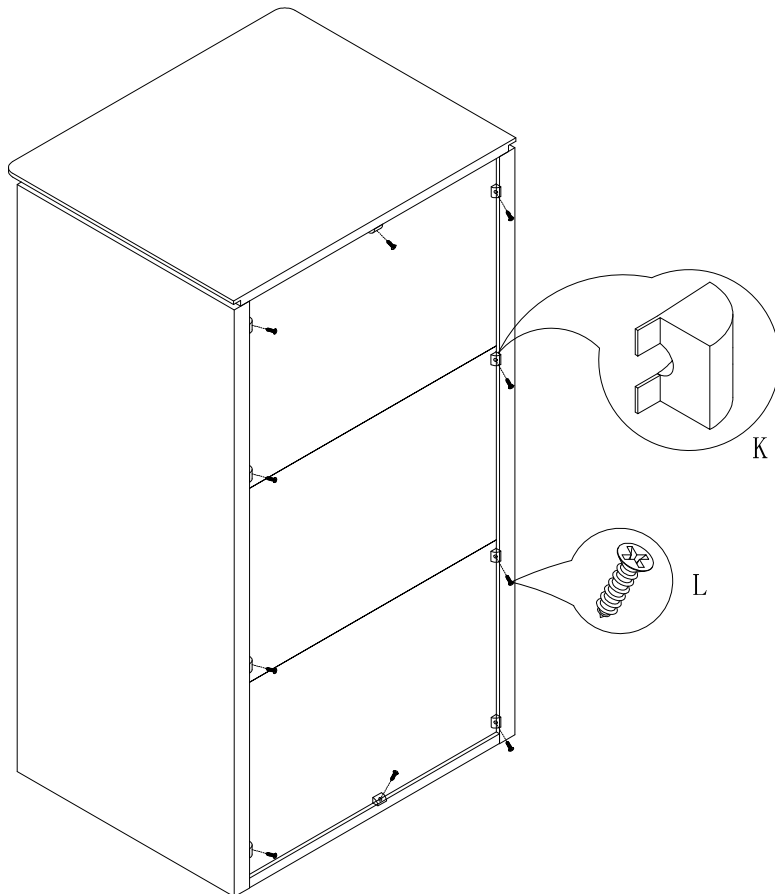
2

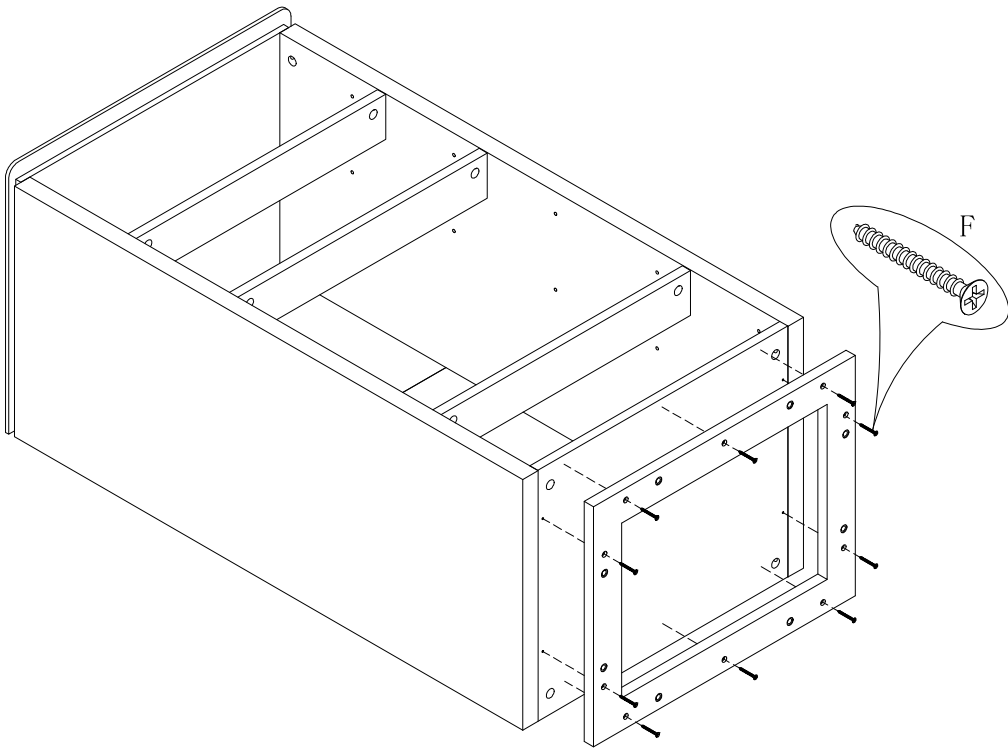




3

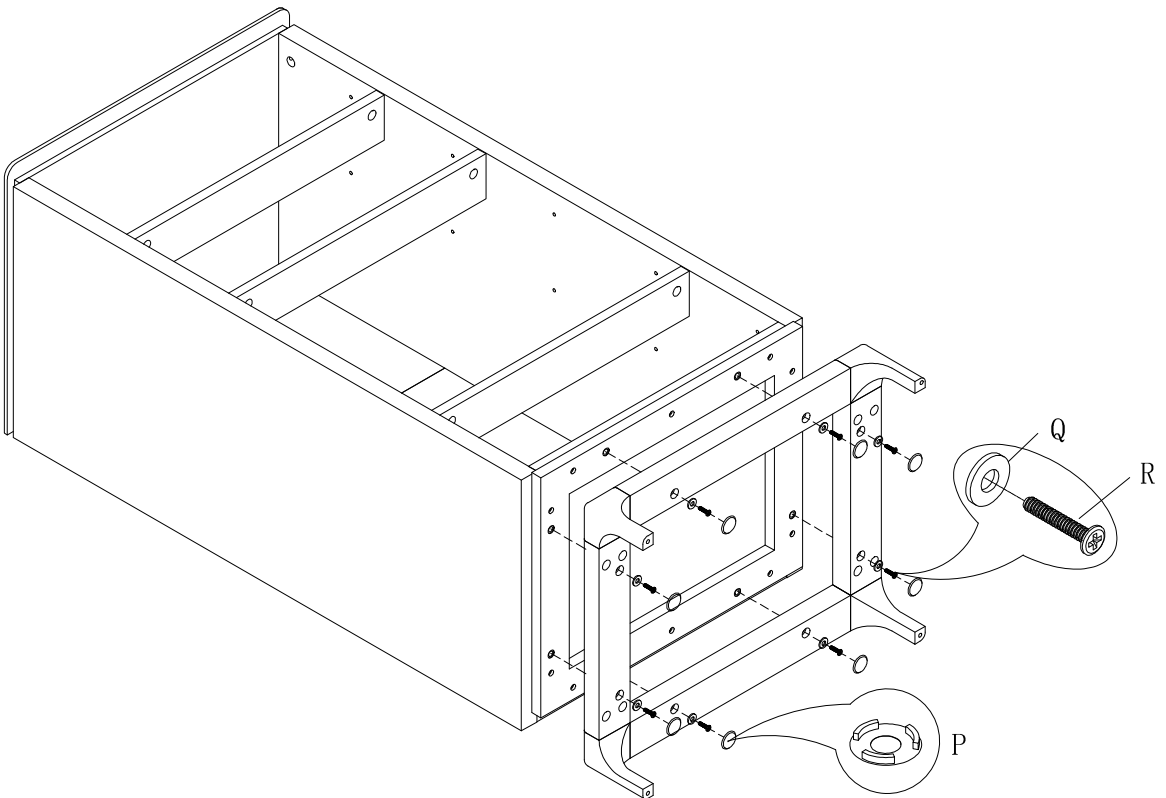
4

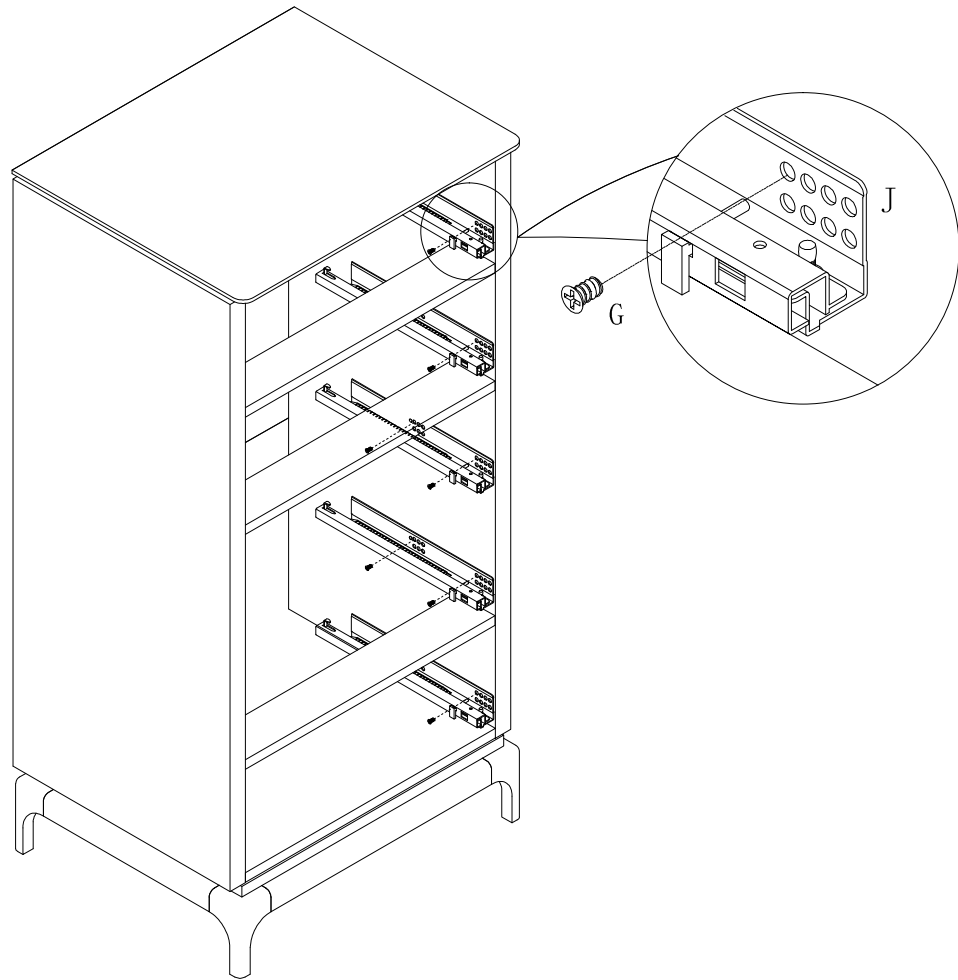




5

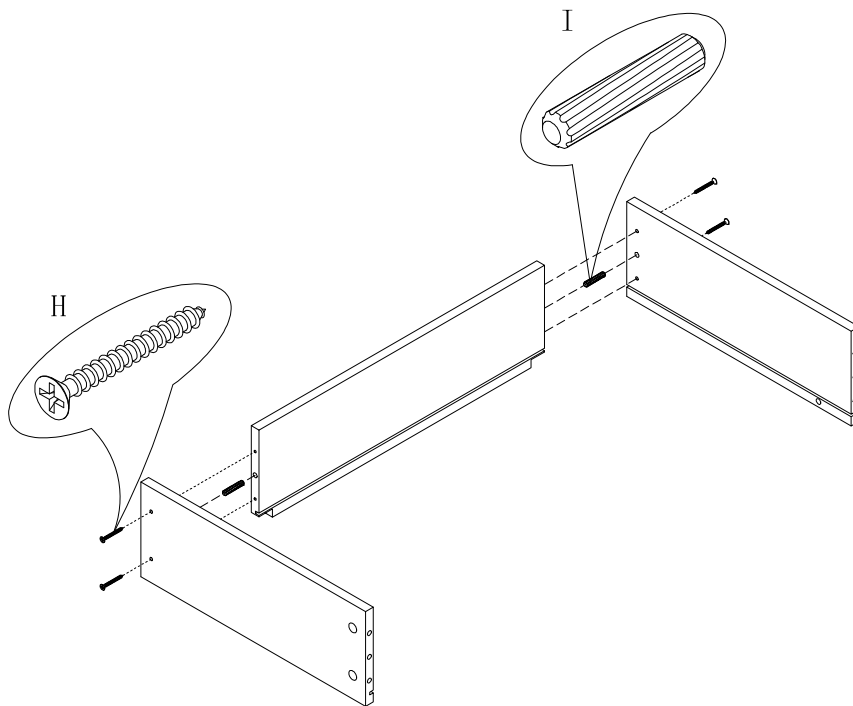
6

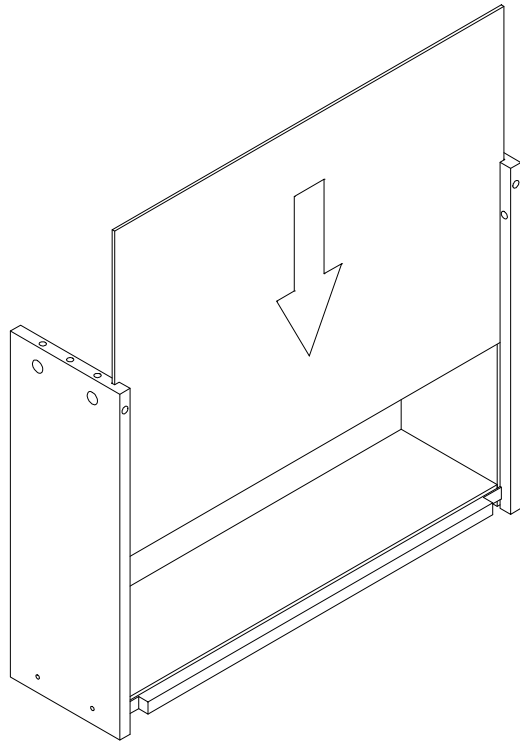




7

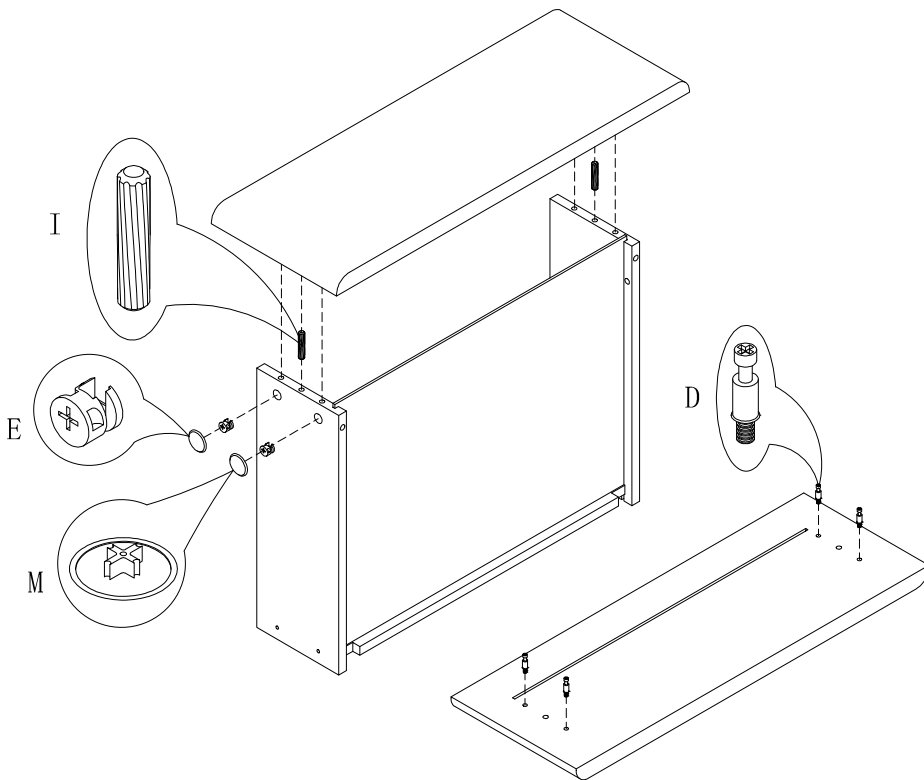
8

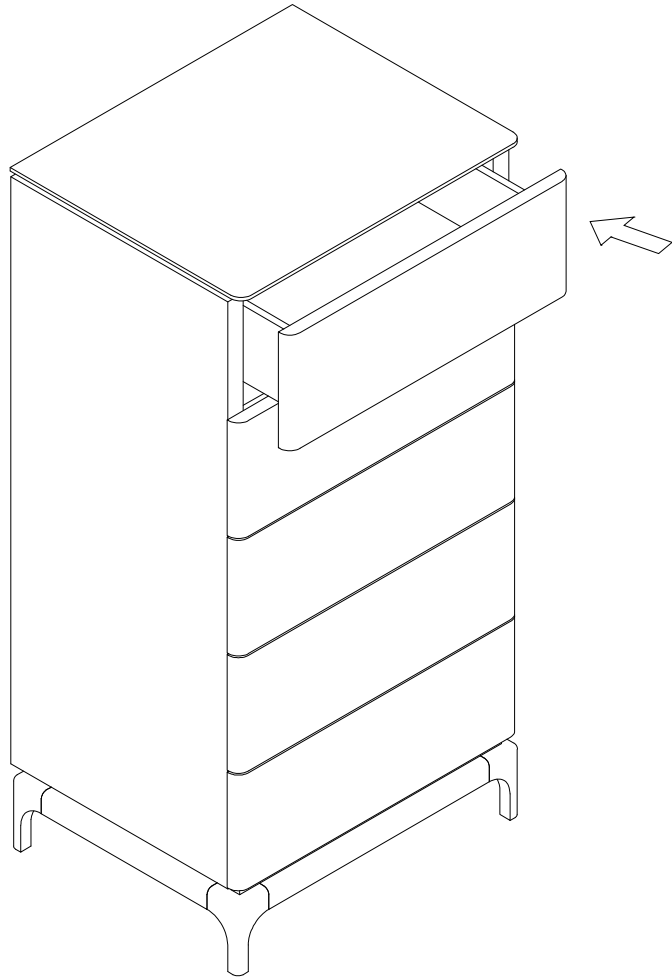




9

10





11
