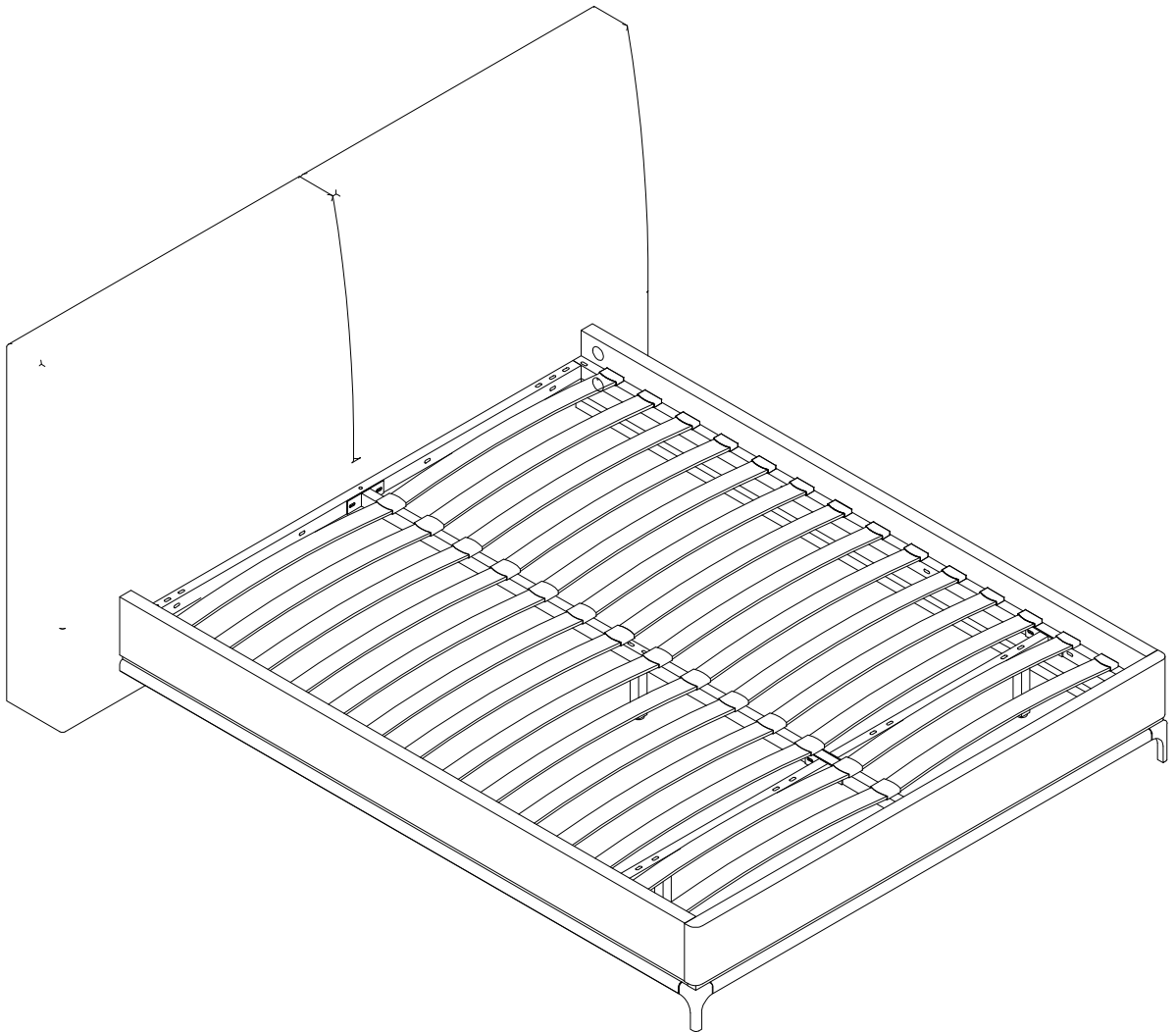
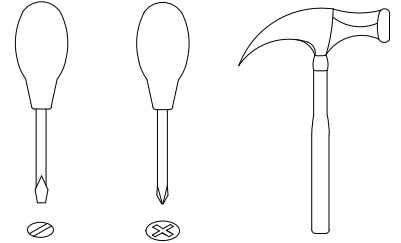
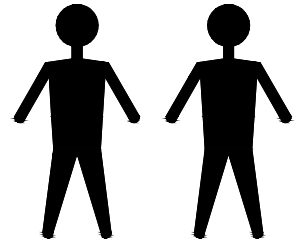




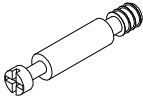
# CP2303B1



# # CP2303B1



A x8  
Spec:  $\phi 10 \times 40$



B x4  
Spec:  $\phi 7 \times L30$



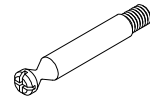
C x4  
Spec:  $\phi 15 \times H12$



D x2  
Spec:  $\phi 8 \times 30$



E x4  
Spec:  $\phi 7 \times 48$



F x4  
Spec:  $\phi 15 \times H15$



G x4  
Spec:  $M8 \times L95$



H x4  
Spec:



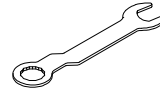
I x4  
Spec: M8



J x4  
Spec:  $\phi 38$



K x1  
Spec: 5#



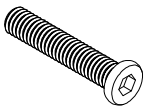
L x1  
Spec: 14#



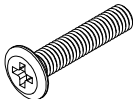
M x22  
Spec:  $\phi 8 \times \phi 18$



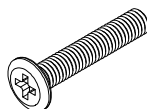
N x10  
Spec:  $\phi 6 \times \phi 18$



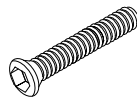
O x6  
Spec:  $5/16 \times L60$



P x15  
Spec:  $M6 \times 40$



Q x16  
Spec:  $M6 \times 45$



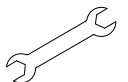
R x12  
Spec:  $M6 \times L50$



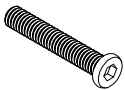
S x3  
Spec: L210



T x10  
Spec: M6



U x1  
Spec: 10mm



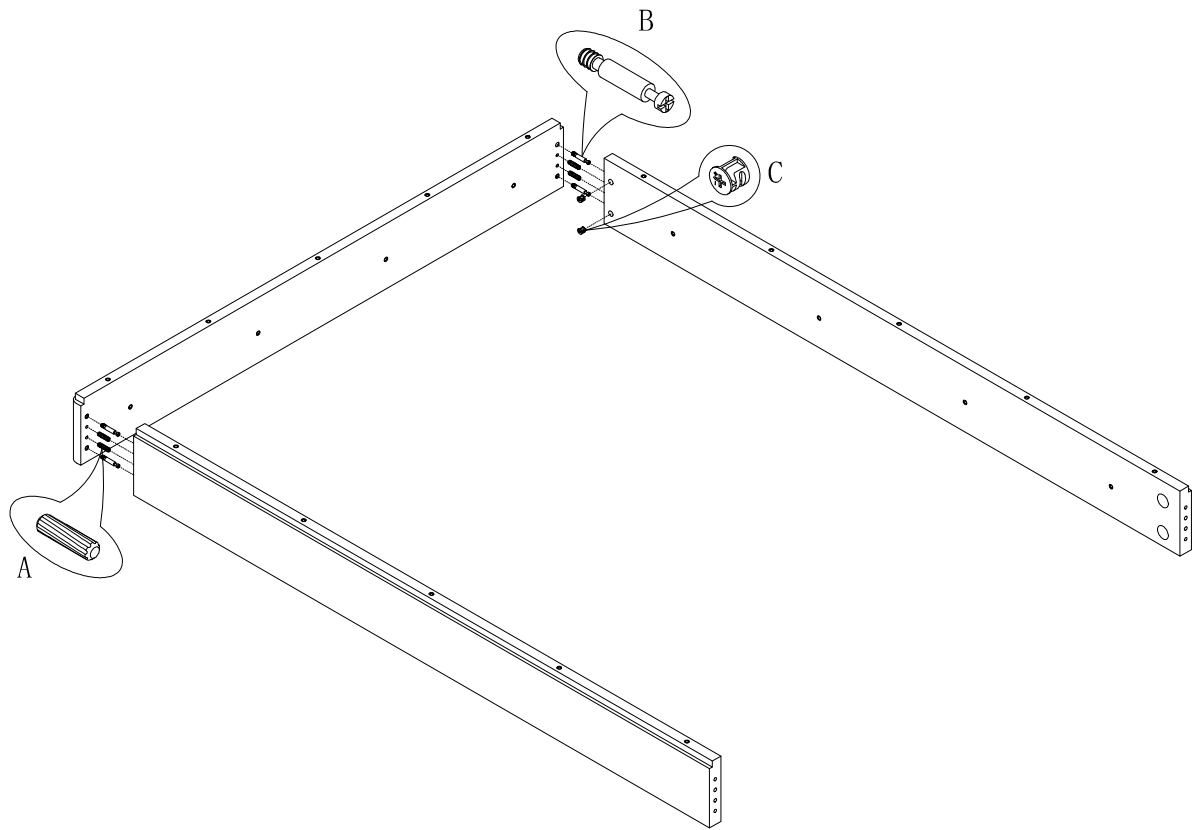
V x2  
Spec:  $M6 \times L50$



W x1  
Spec: 4#

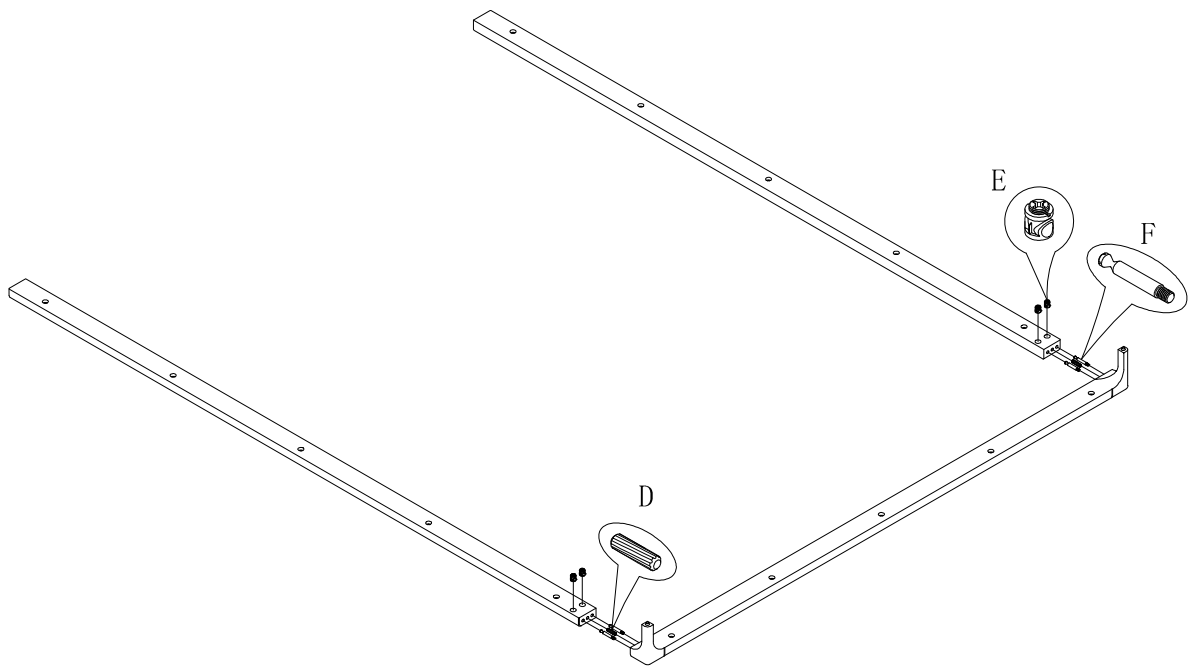


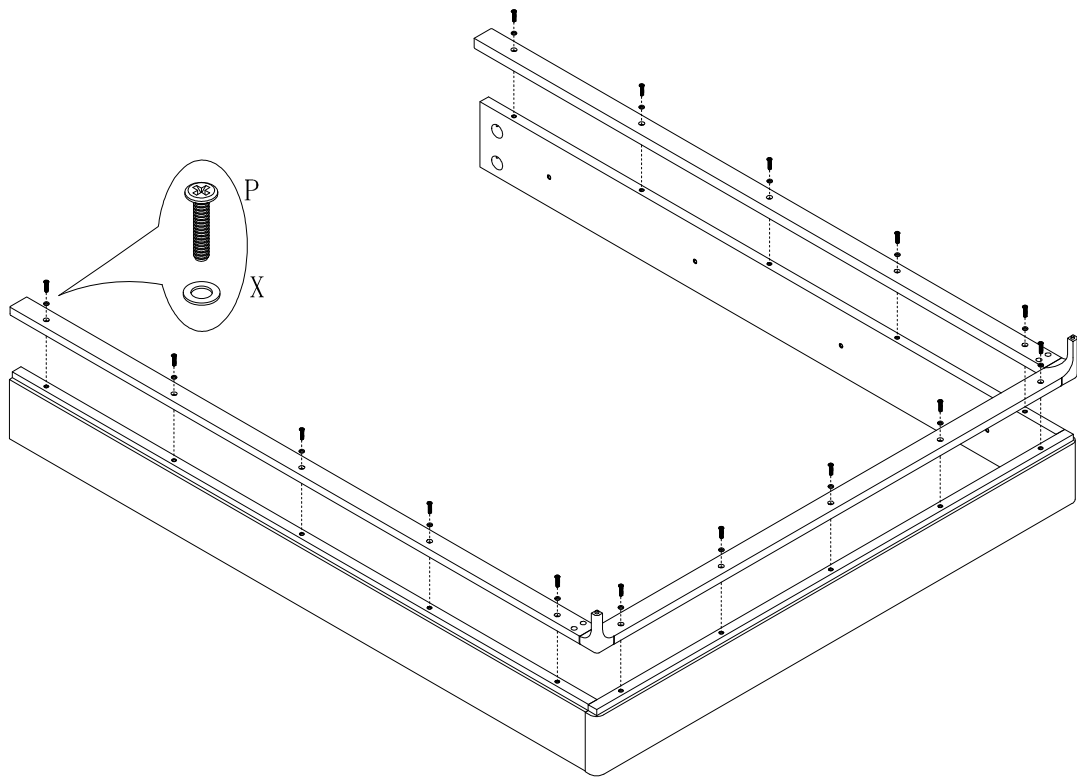
X x15  
Spec:  $\phi 8 \times \phi 14$



1

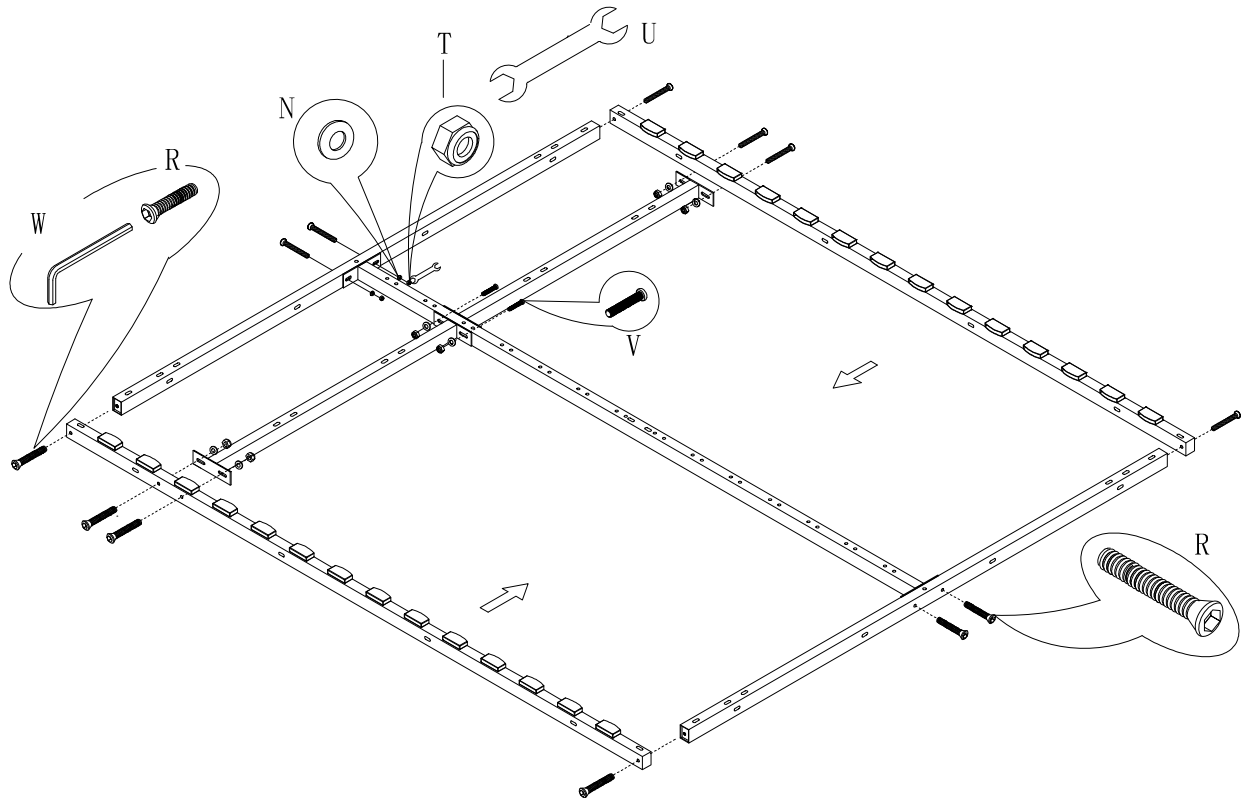
2



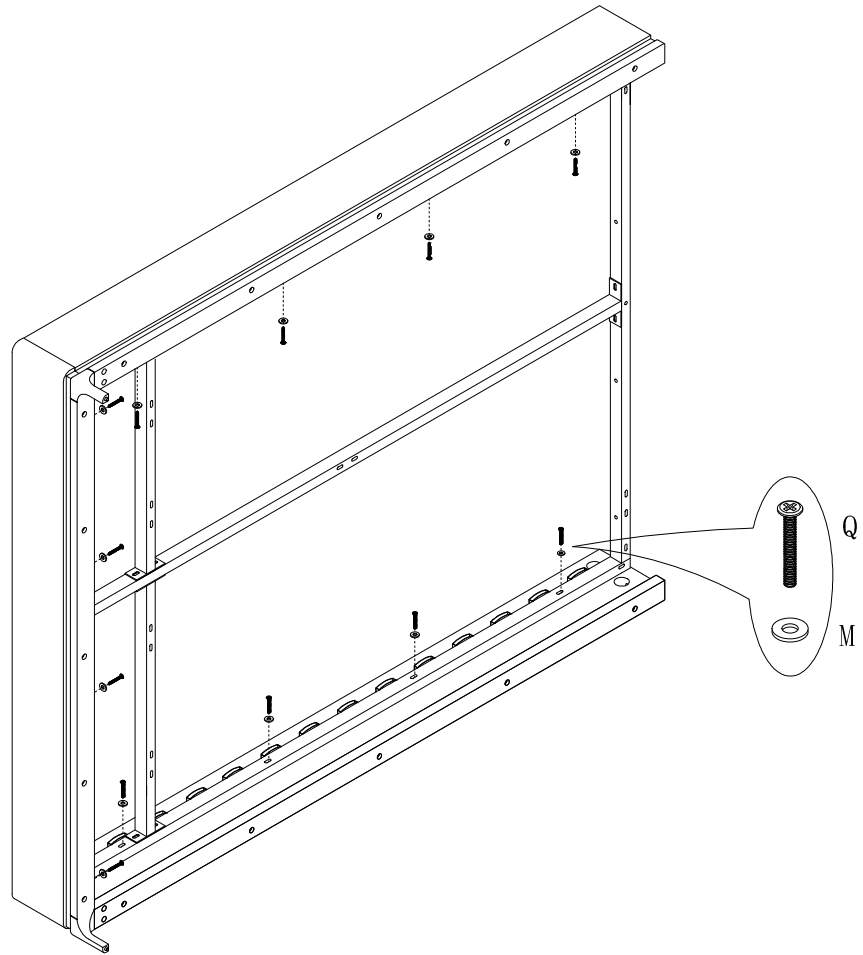


3

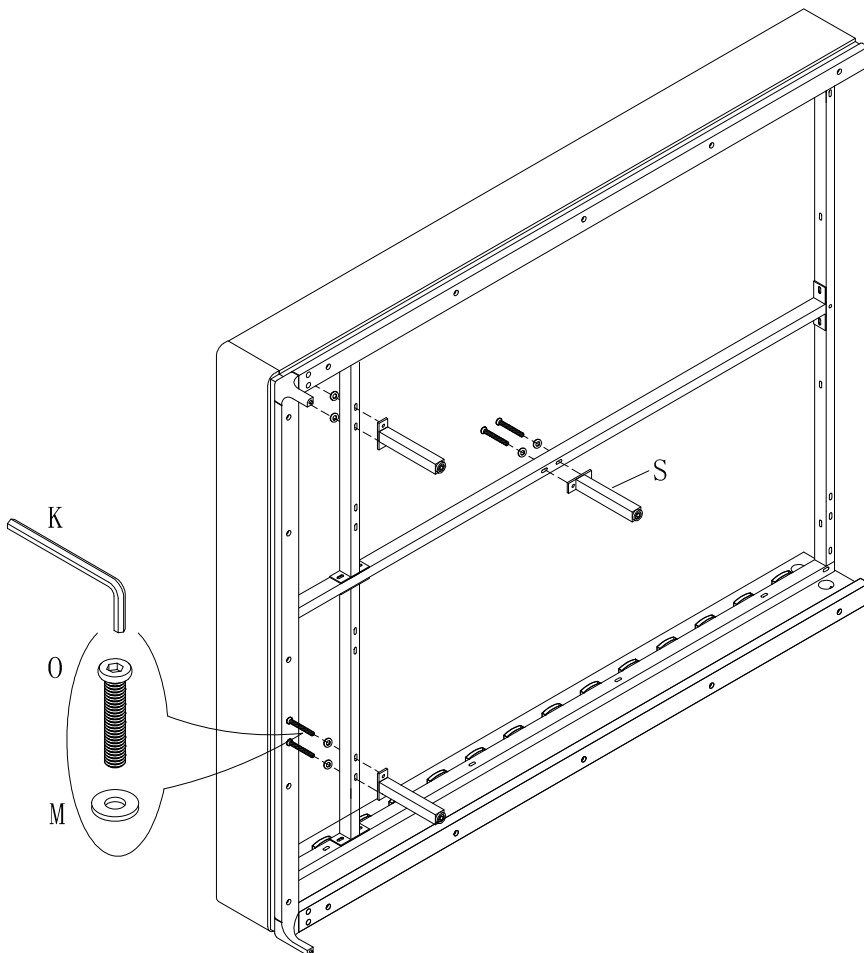
4

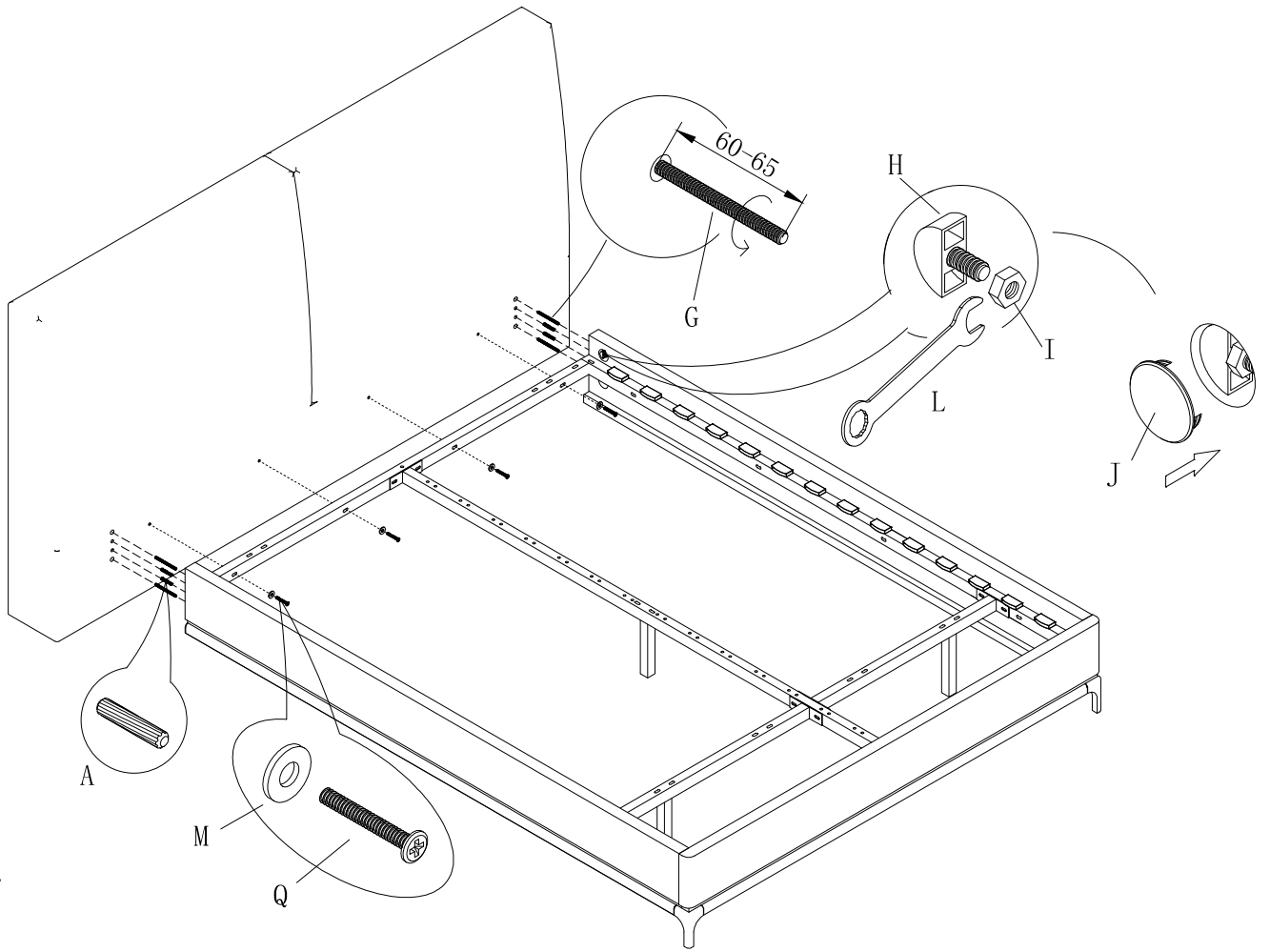


5



6





8

