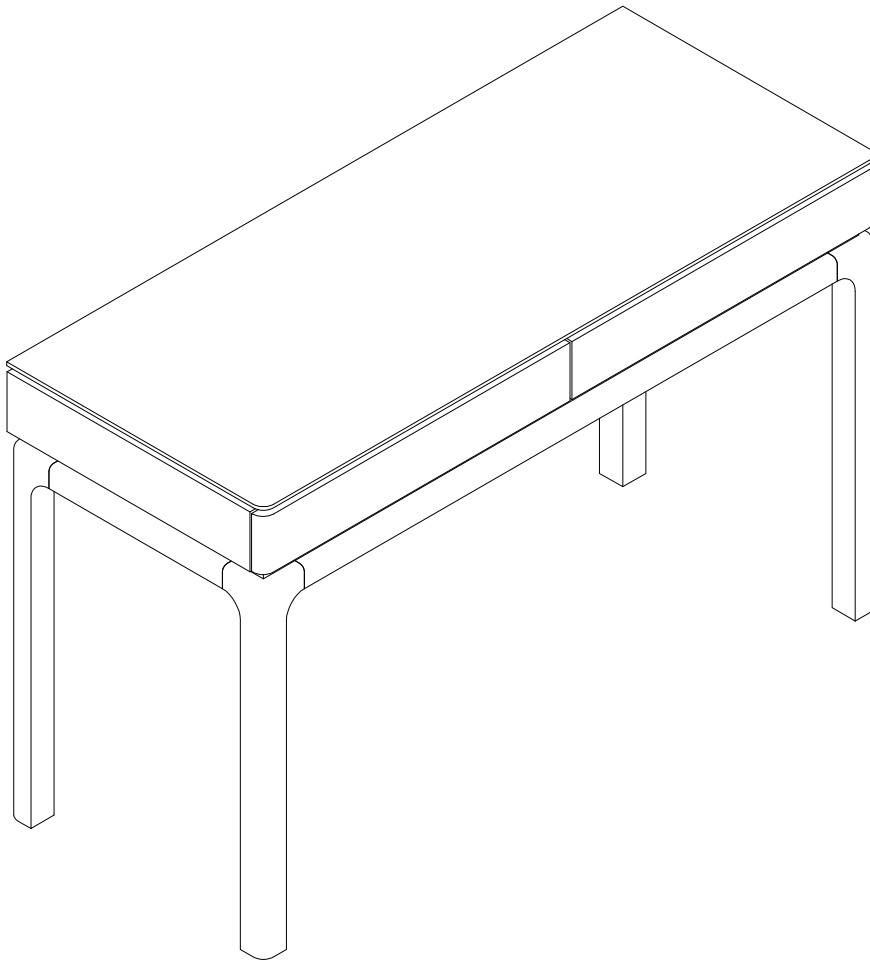
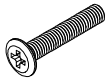
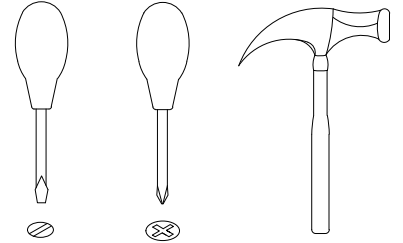
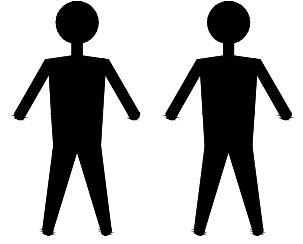




CP2303DK2-HA



CP2303DK2-HA



A x12
Spec: M6*L45



B x12
Spec: $\phi 14 * \phi 8$



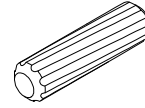
C x6
Spec: M8*L95



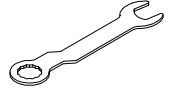
D x6
Spec:



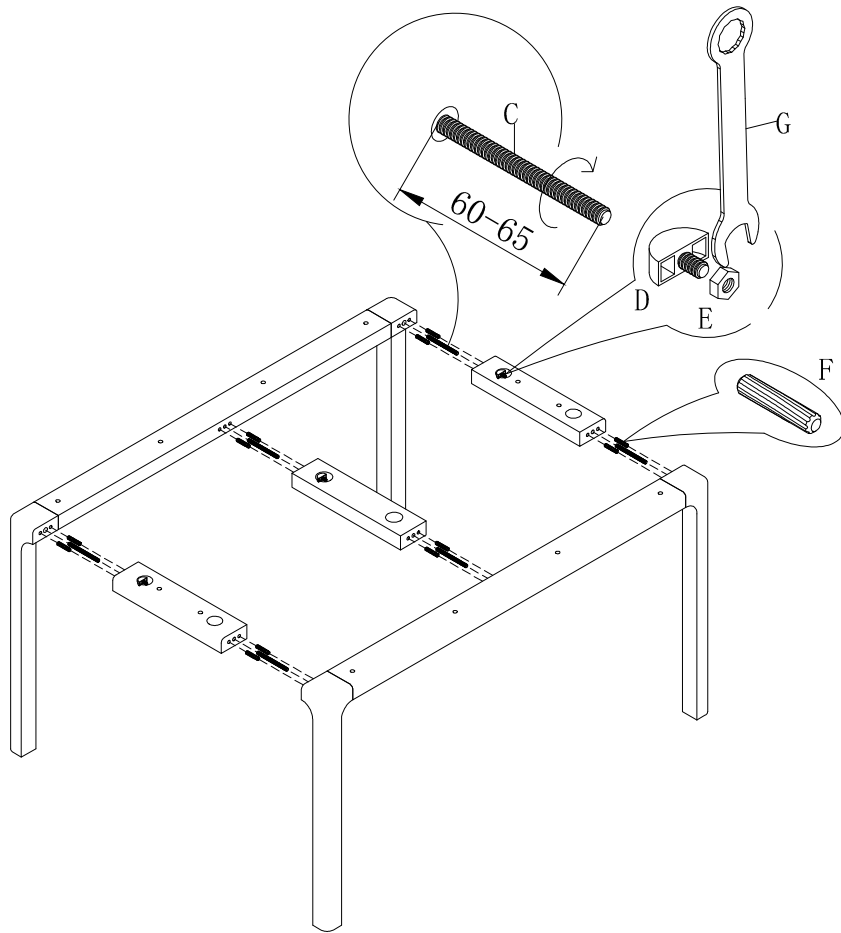
E x6
Spec: M8



F x12
Spec: $\phi 12 * 50$



G x1
Spec: 14#



2

