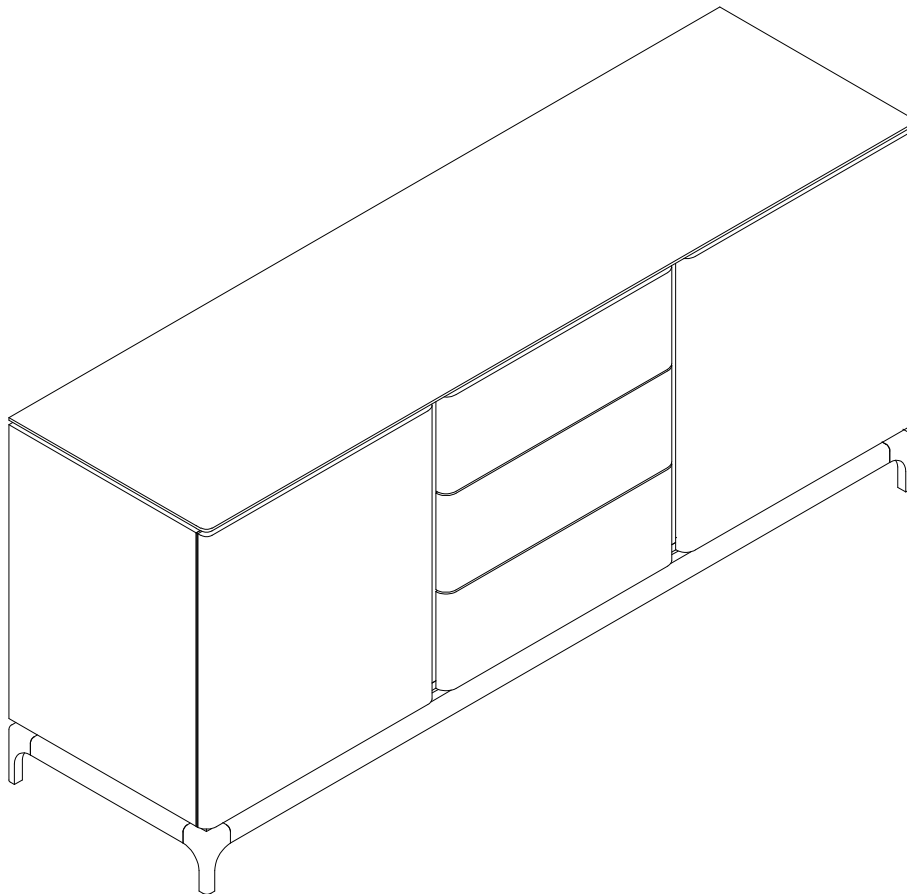


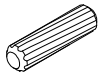
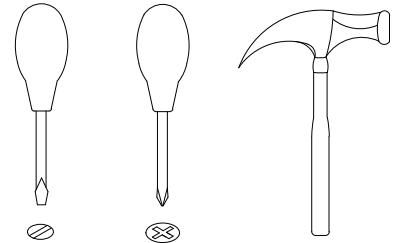
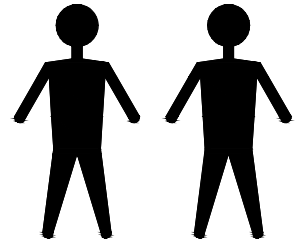


CP2303E3-V/V

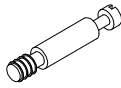


EAC

CP2303E3-V/V



A x34
Spec: $\phi 8 \times 30$



B x16
Spec: $\phi 7 \times L30$



C x16
Spec: $\phi 15 \times H12$



D x12
Spec: $\phi 6 \times L28$



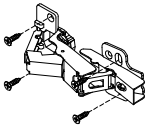
E x12
Spec: $\phi 12 \times H9$



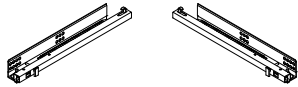
F x12
Spec: $\phi 6 \times L8$



G x12
Spec: $\phi 6 \times 30$



H x6
Spec: 069#



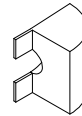
I x3
Spec: L400



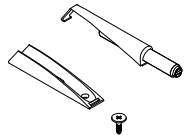
J x12
Spec: $3.8 \times L16$



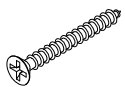
K x24
Spec: $\phi 3.5 \times L16$



L x24
Spec: H13



M x2
Spec:



O x12
Spec: $\phi 3.5 \times L35$



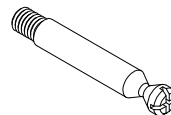
P x8
Spec:



Q x16
Spec: $\phi 4 \times L25$



R x4
Spec: $\phi 3.5 \times L11$



S x12
Spec: $\phi 7 \times L48$



T x12
Spec: $\phi 15 \times H15$



U x36
Spec:



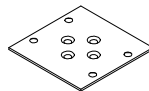
V x16
Spec: $\phi 8 \times \phi 14$



W x16
Spec:



X x16
Spec: M6*35



Y x2
Spec: $78 \times 78 \times 1.8$



Z x8
Spec: $\phi 4 \times L16$



A1 x8
Spec: $\phi 3.8 \times L20$



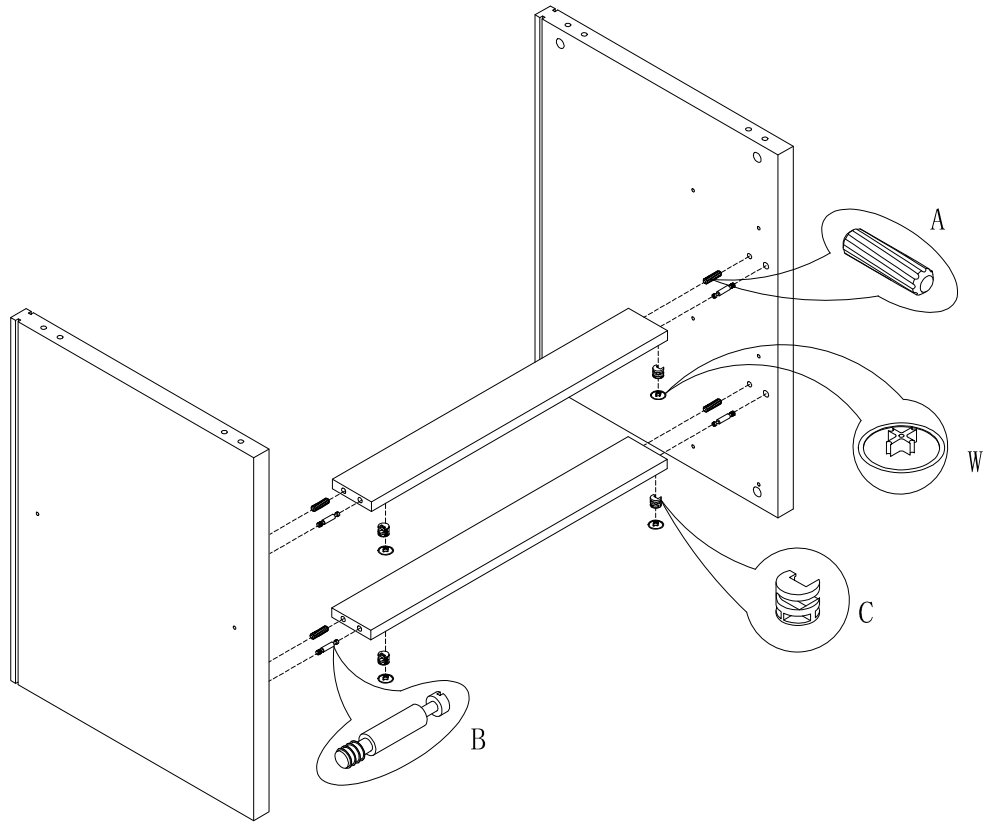
B1 x8
Spec: $\phi 5 \times L19$



C1 x8
Spec: $\phi 20 \times H12$

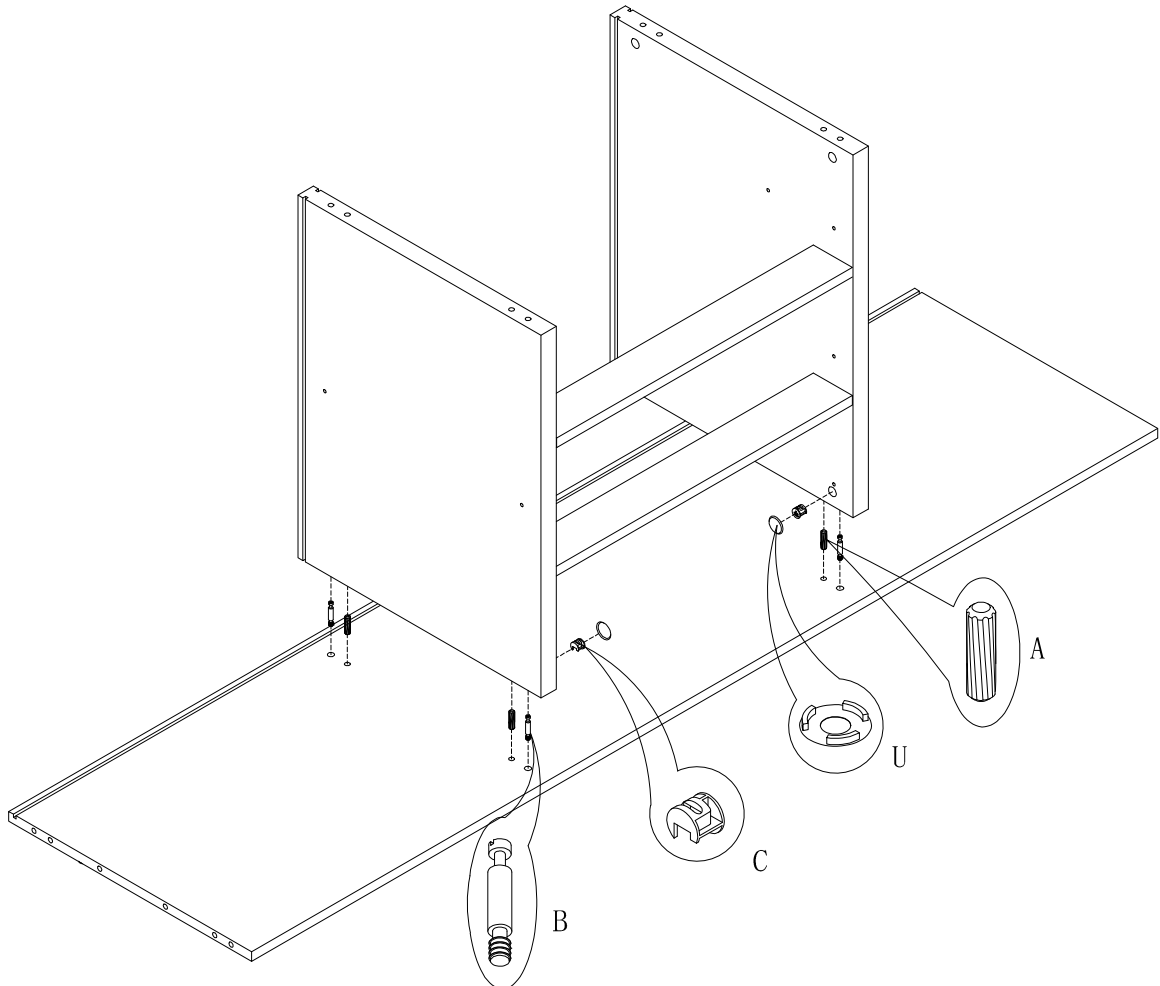


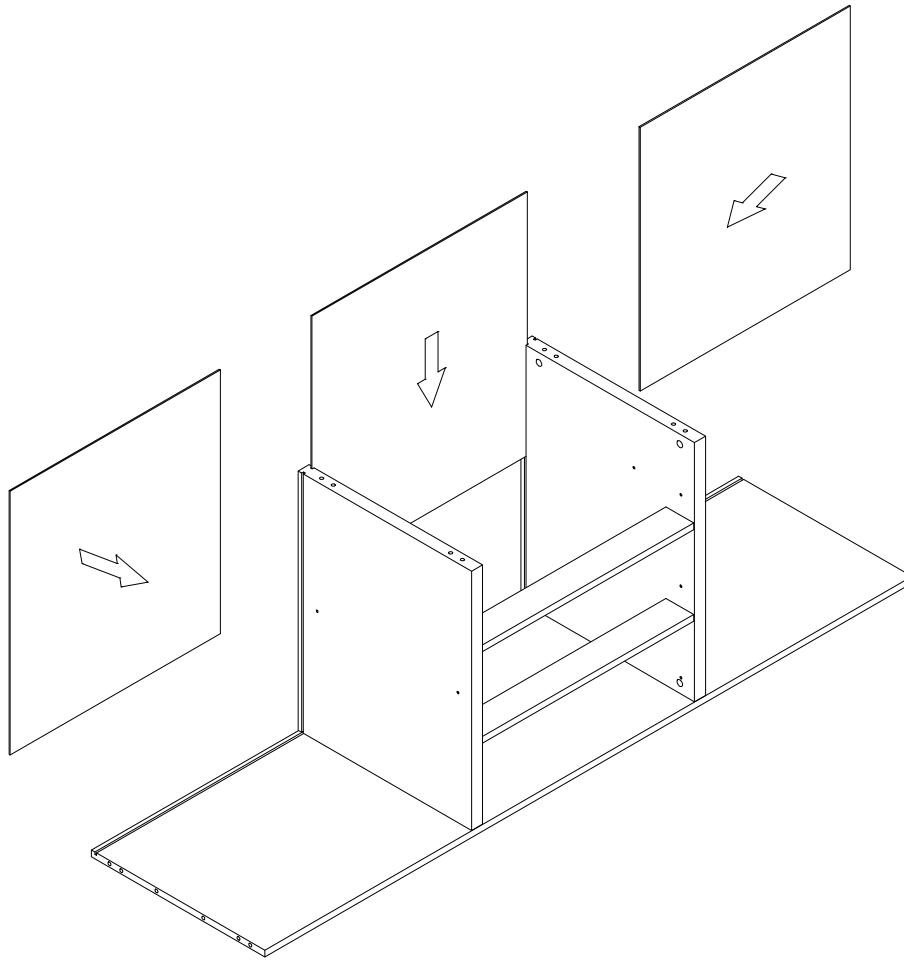
AAA x12
Spec: $\phi 3.8 \times L12$



1

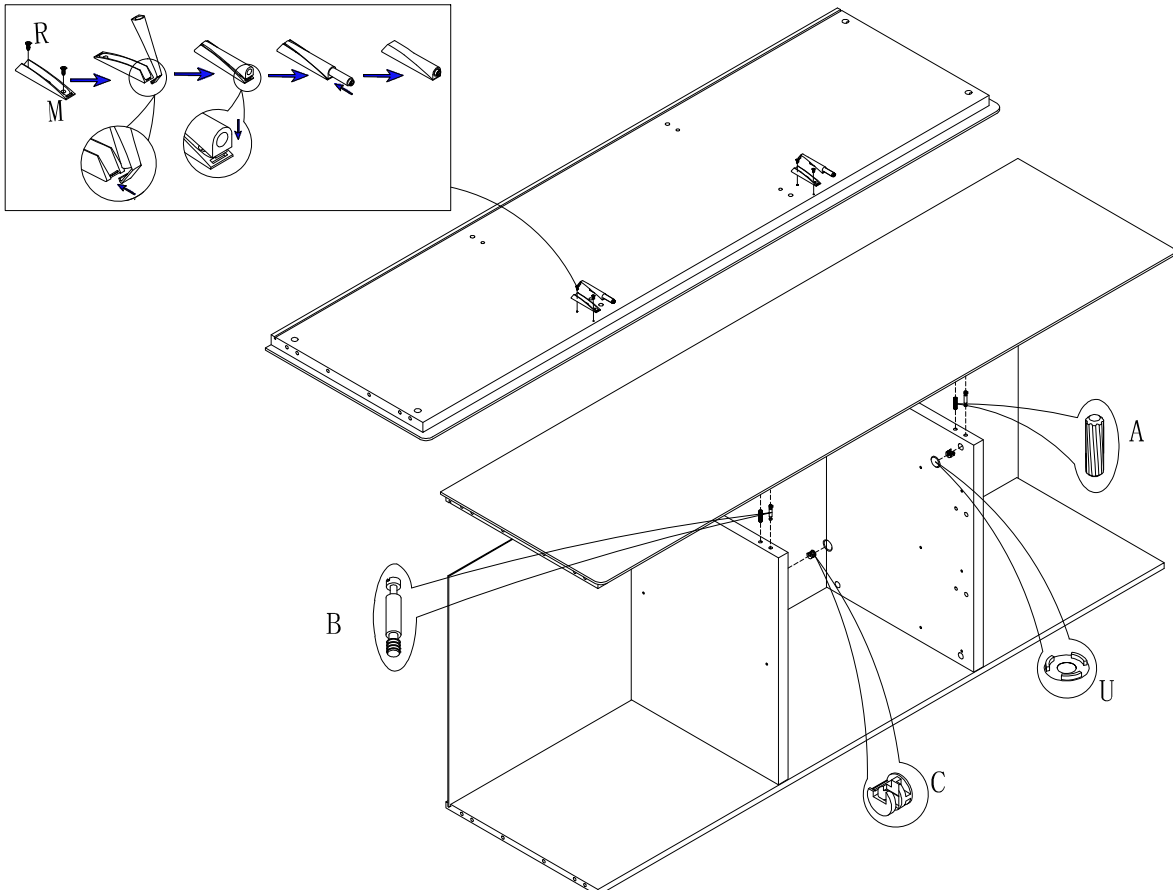
2

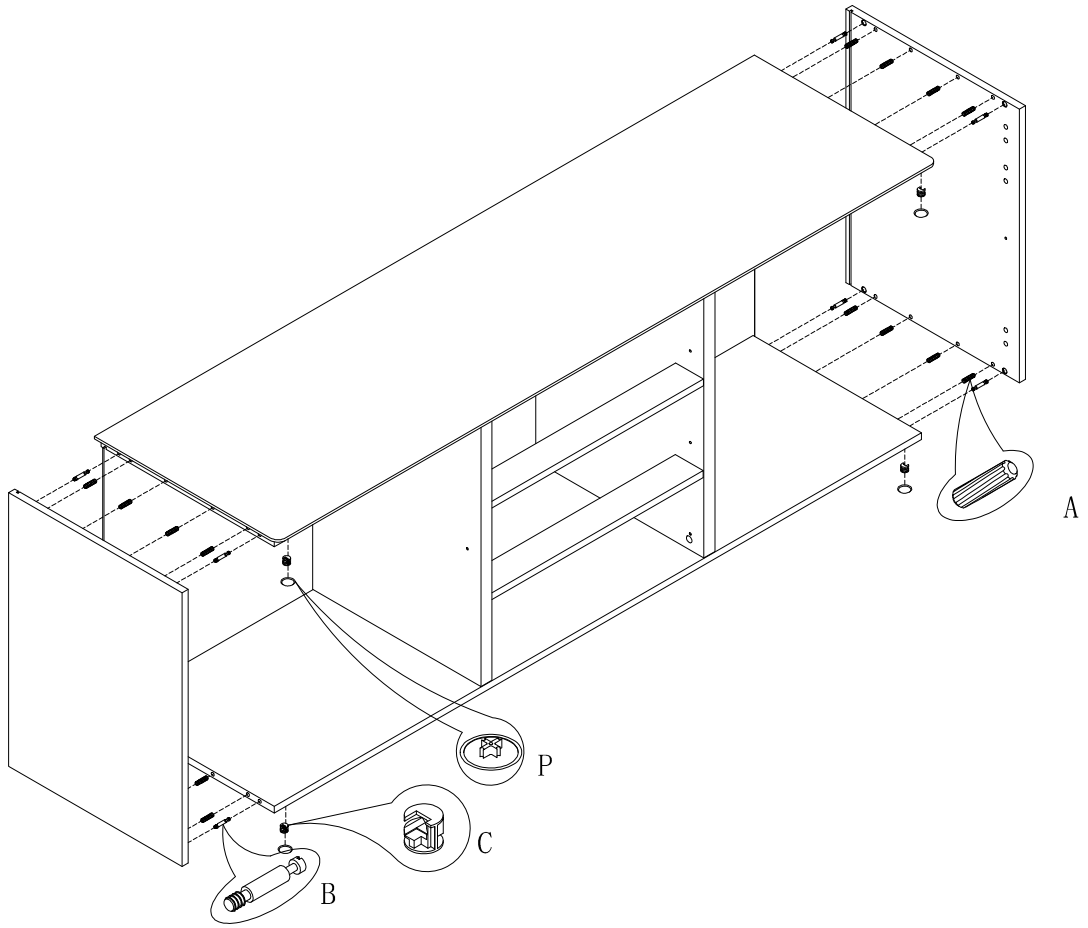




3

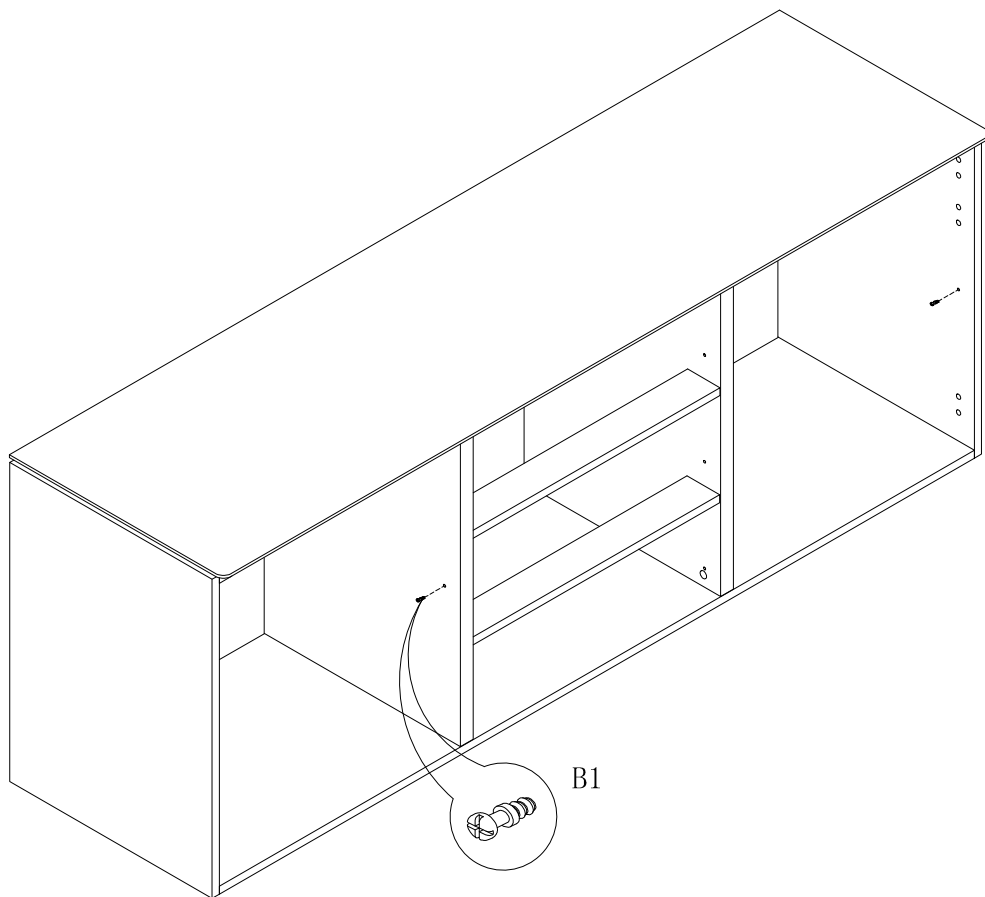
4

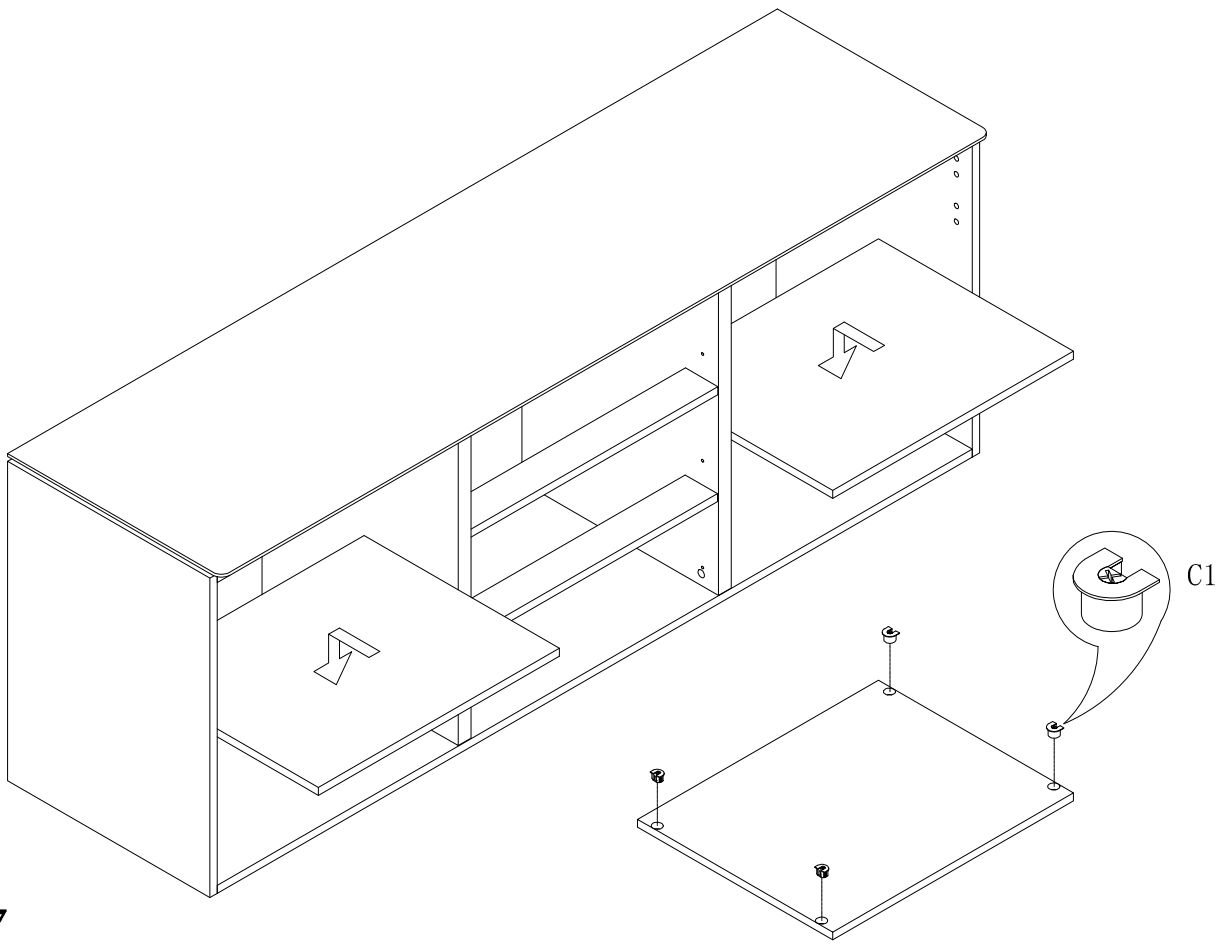




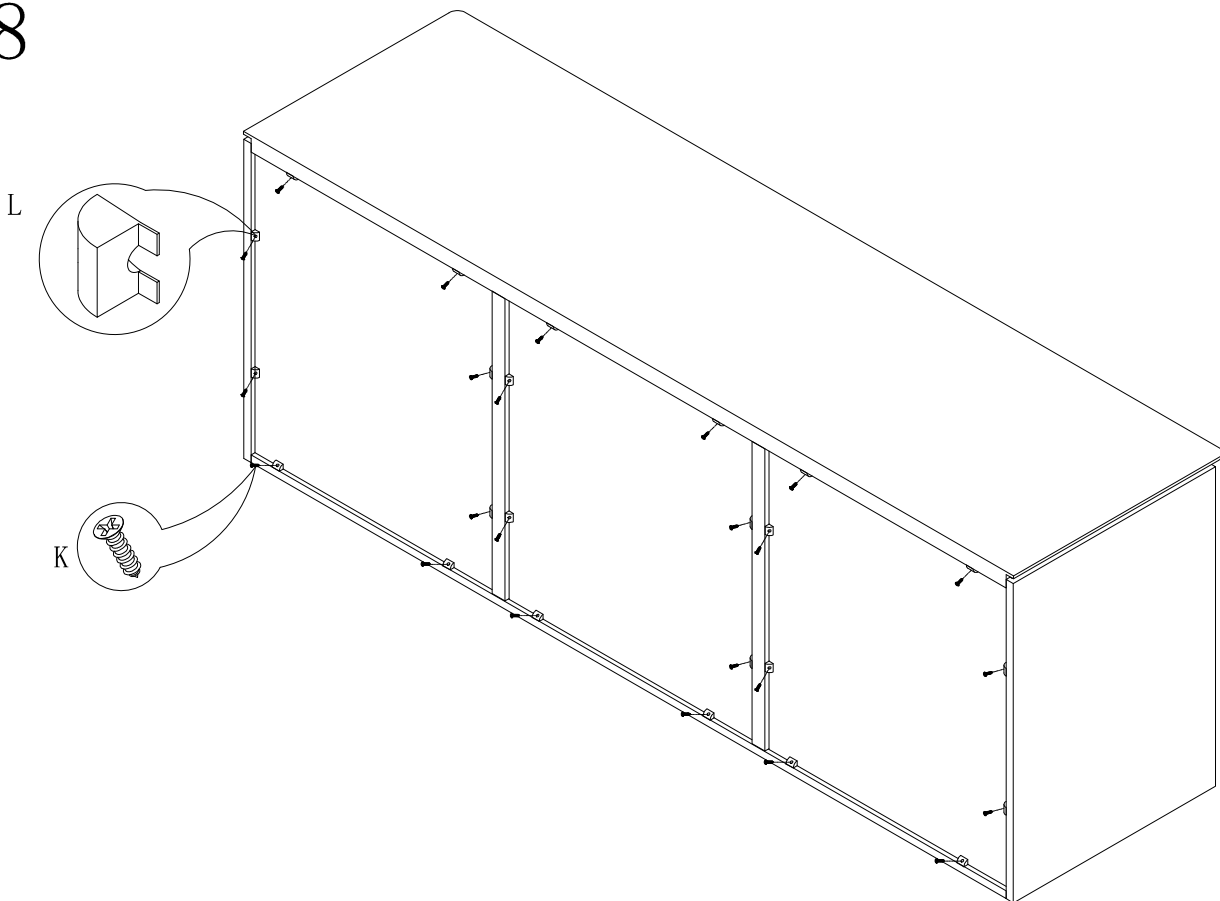
5

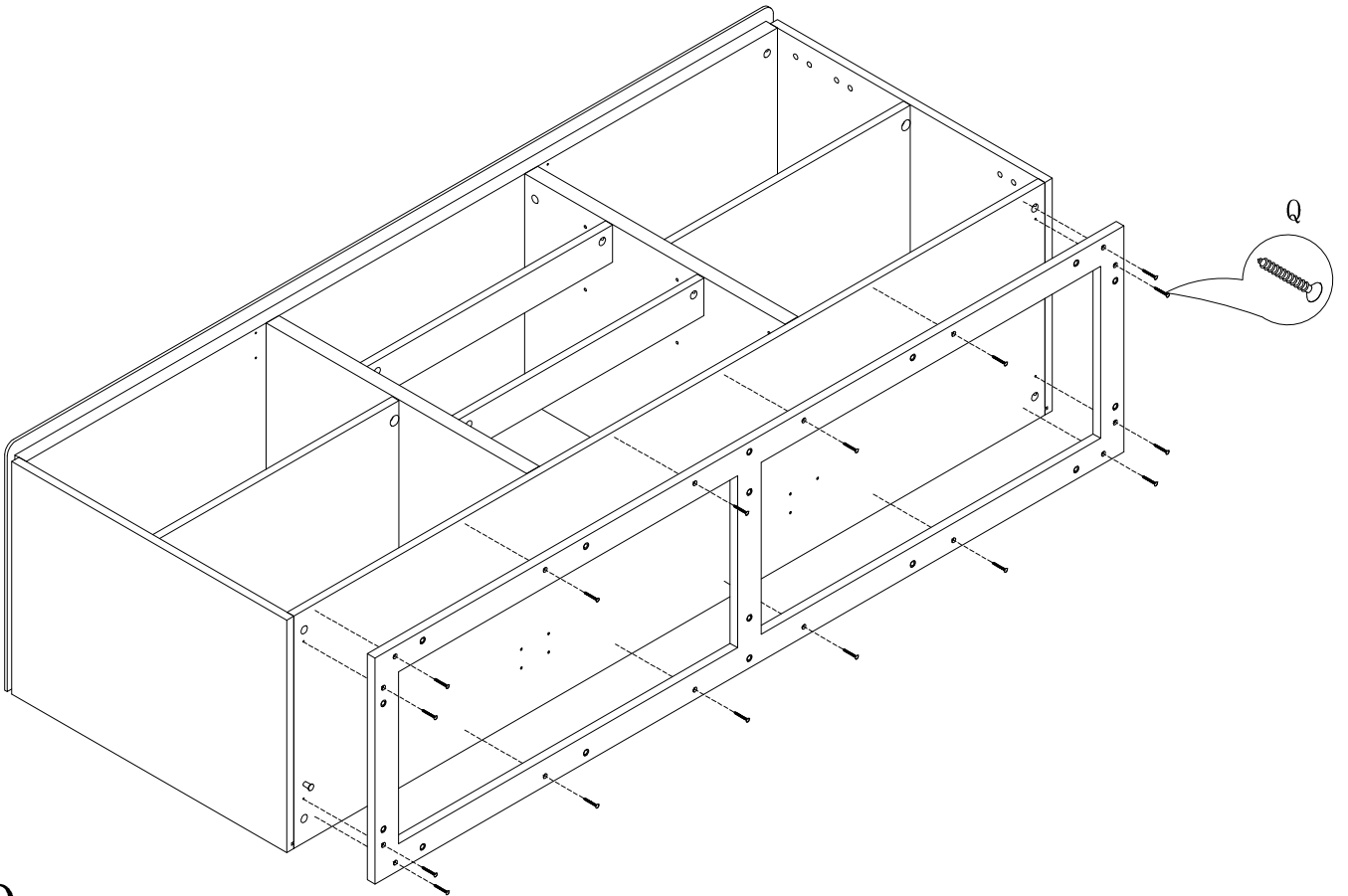
6





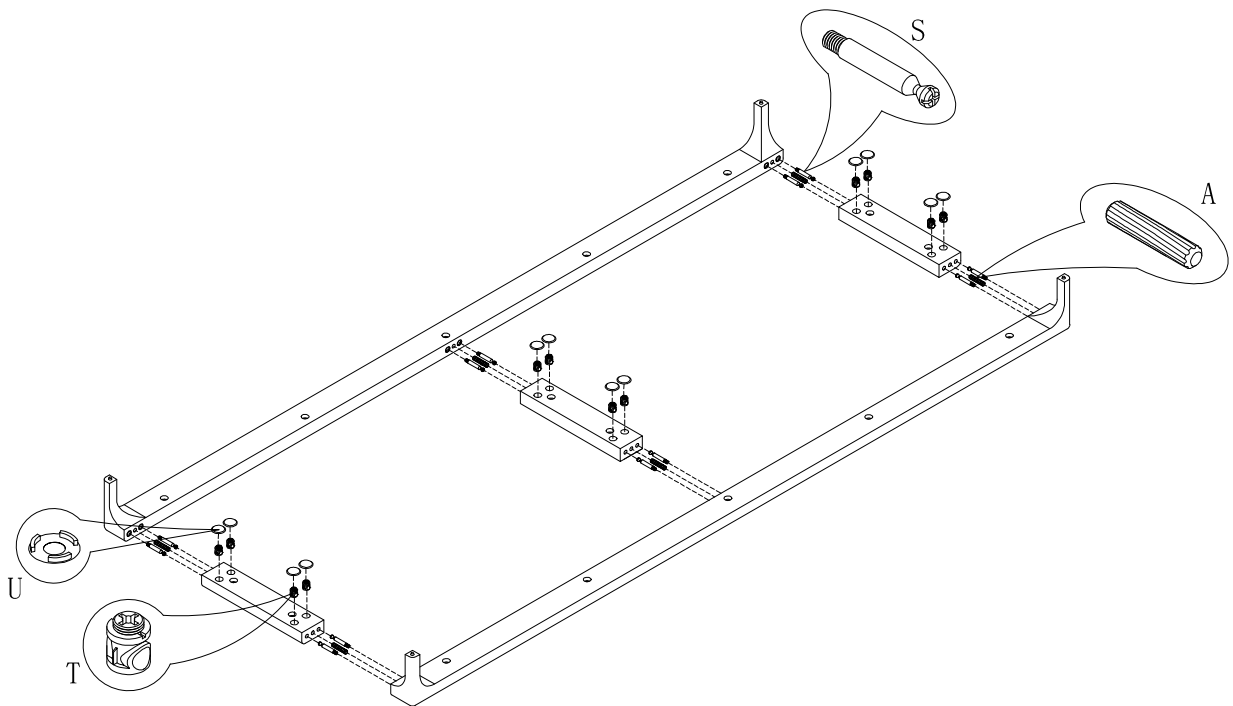
8

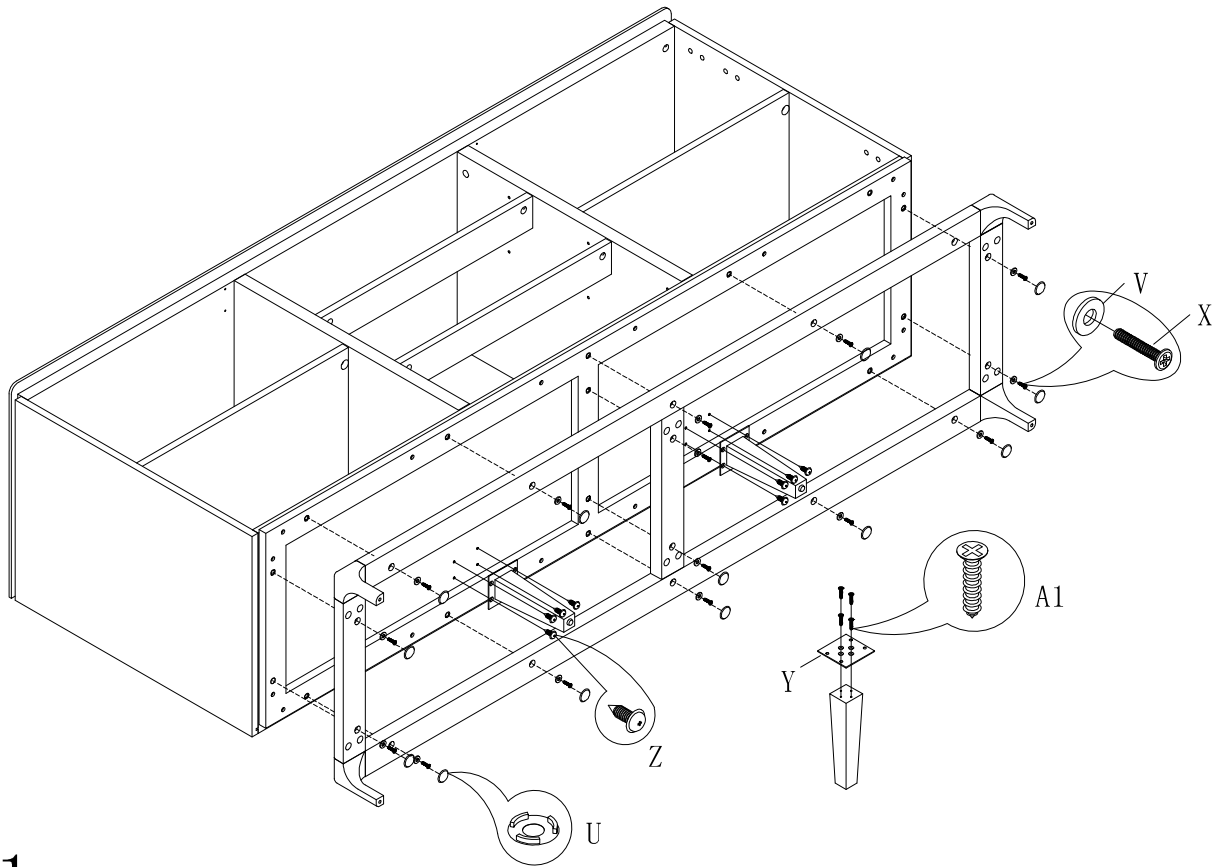




9

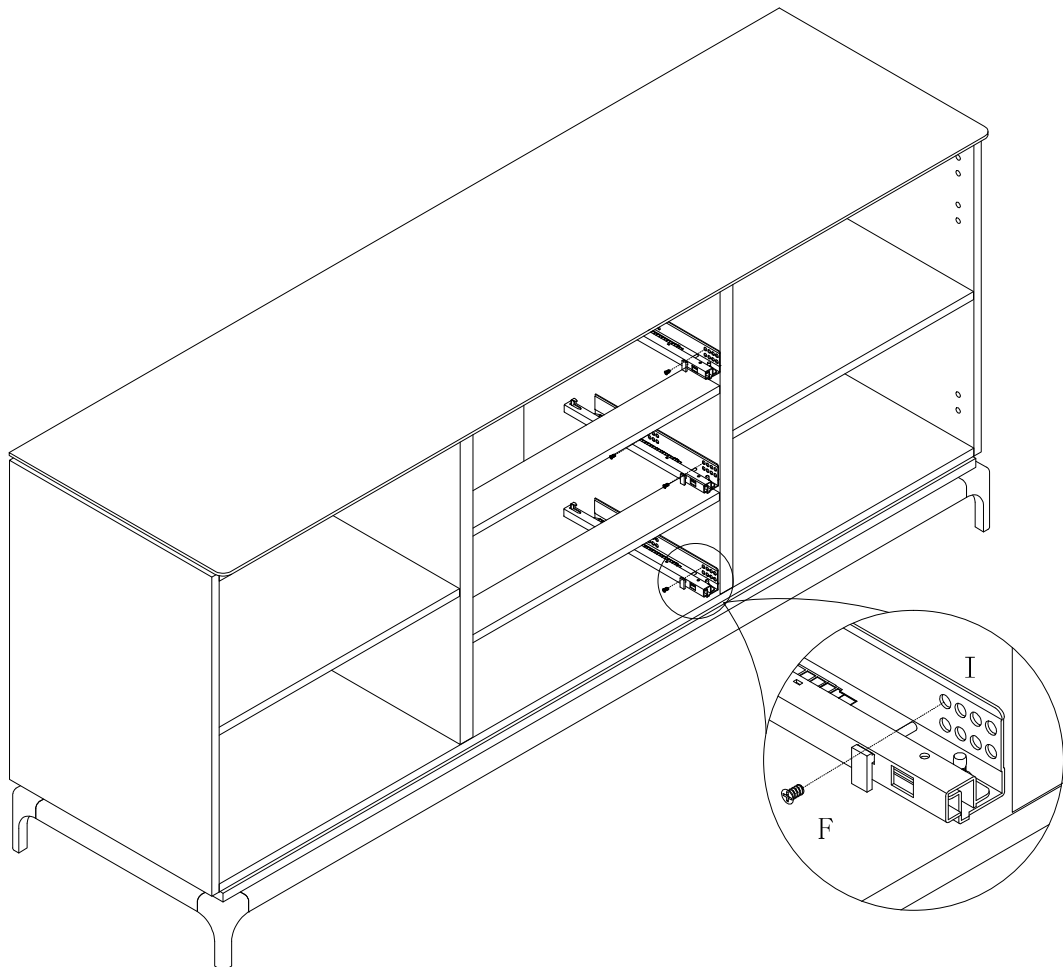
10

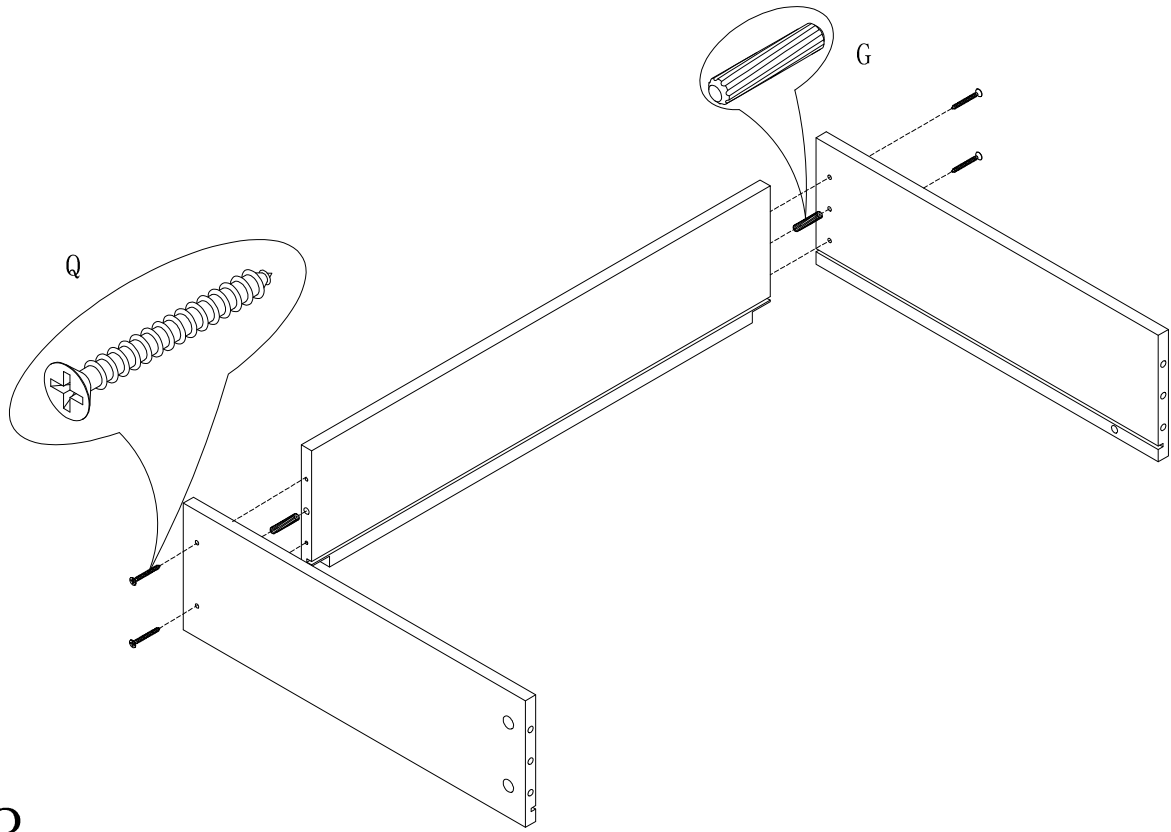




11

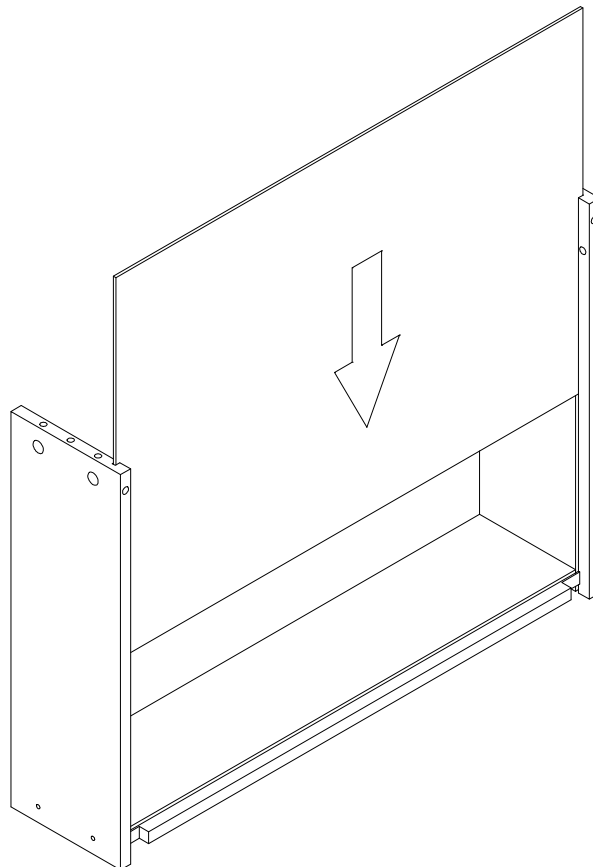
12

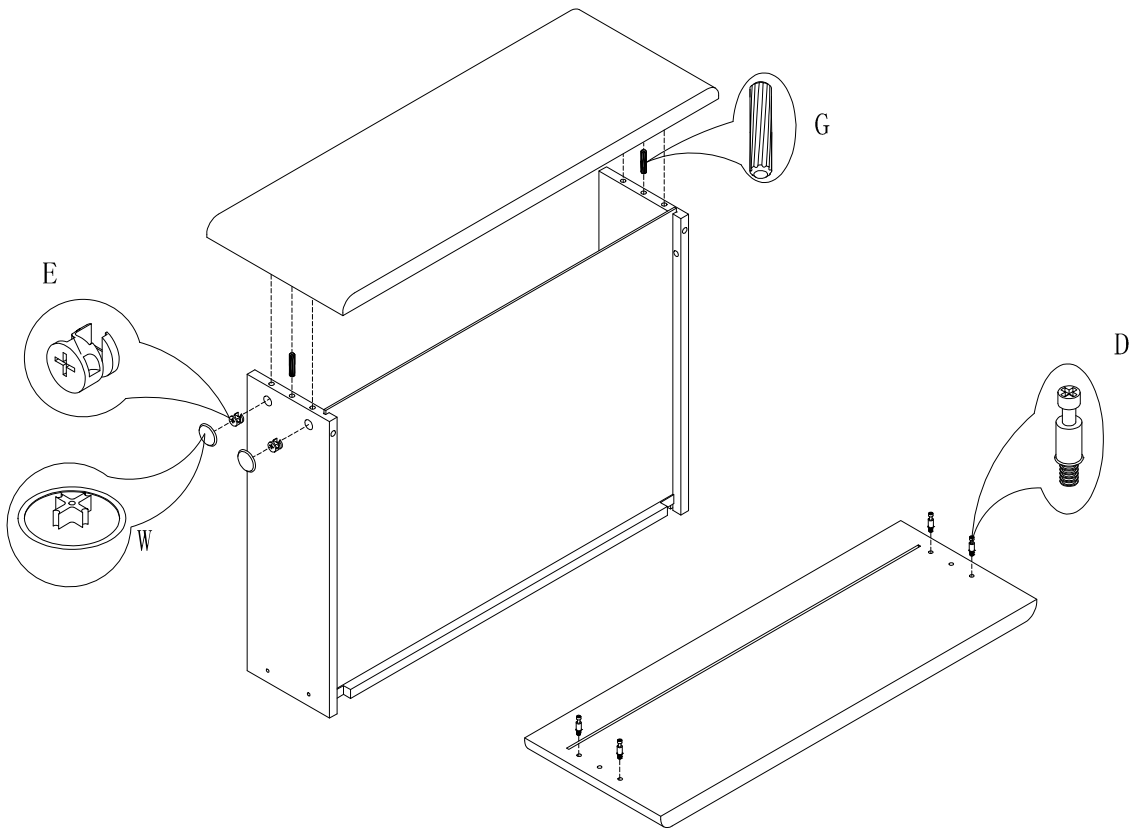




13

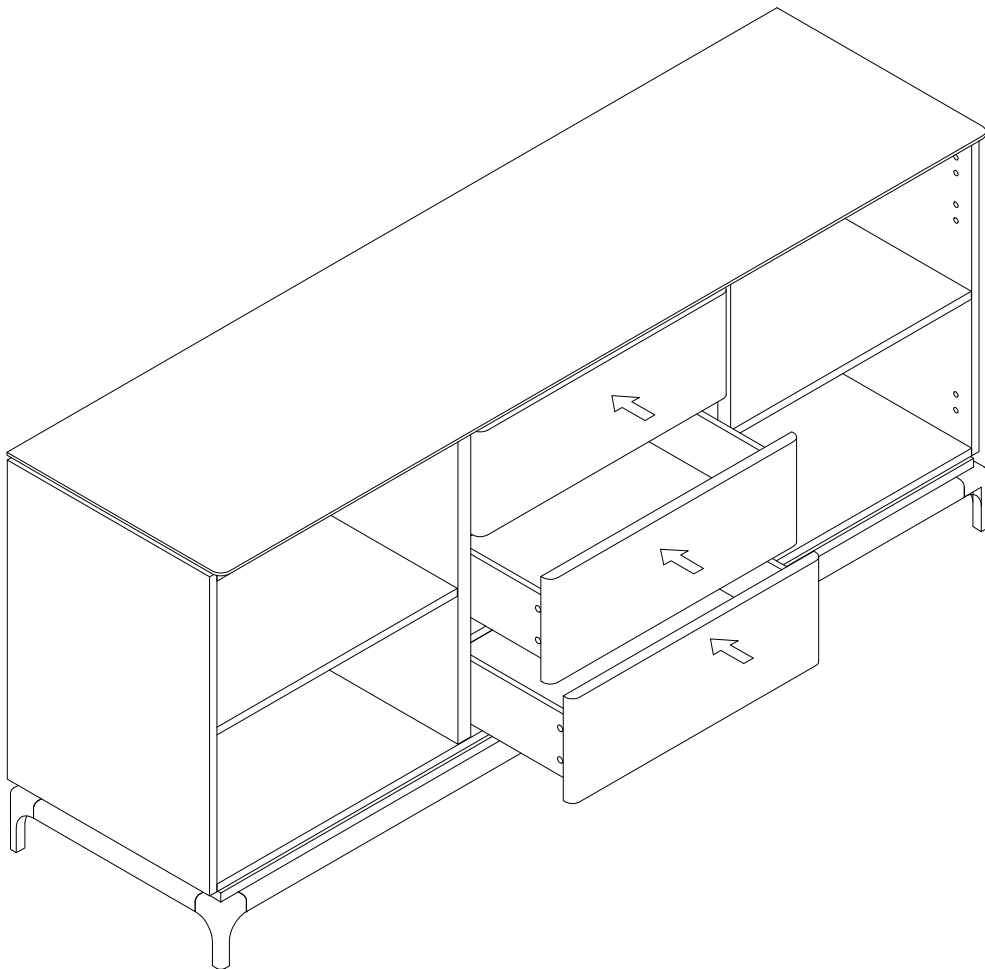
14

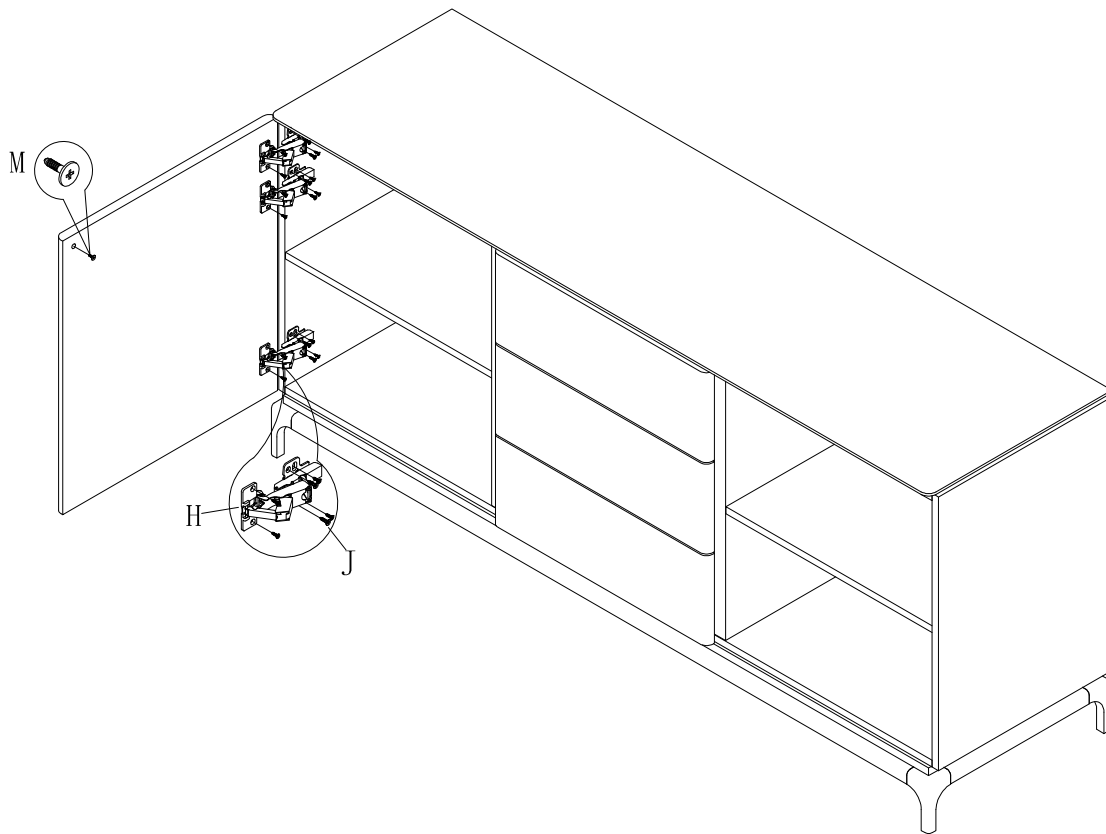




15

16





17

18

