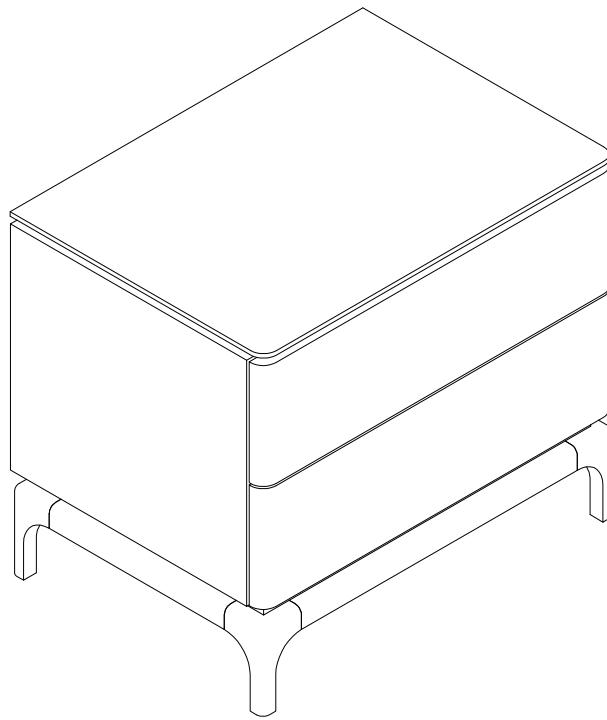
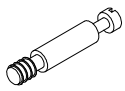
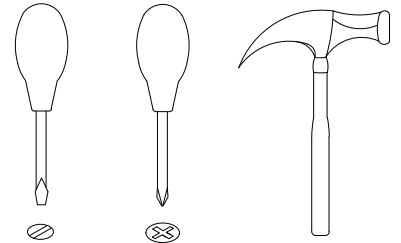
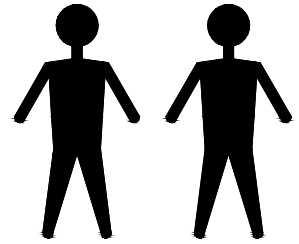




CP2303H2-V/V



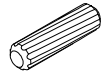
CP2303H2-V/V



A x10
Spec: $\phi 7 * L30$



B x10
Spec: $\phi 15 * H12$



C x18
Spec: $\phi 8 * 30$



D x8
Spec: $\phi 6 * L28$



E x8
Spec: $\phi 12 * H9$



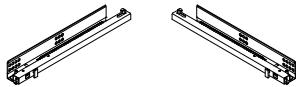
F x10
Spec: $\phi 3.8 * L25$



G x8
Spec: $\phi 6 * L8$



H x8
Spec: $\phi 3.5 * L35$



J x2
Spec: L300



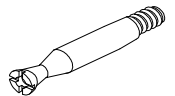
K x6
Spec: H13



L x6
Spec: $\phi 3.5 * L16$



M x14
Spec:



N x8
Spec: $\phi 7 * L48$



O x8
Spec: $\phi 15 * H15$



P x16
Spec:



Q x8
Spec: $\phi 8 * \phi 14$



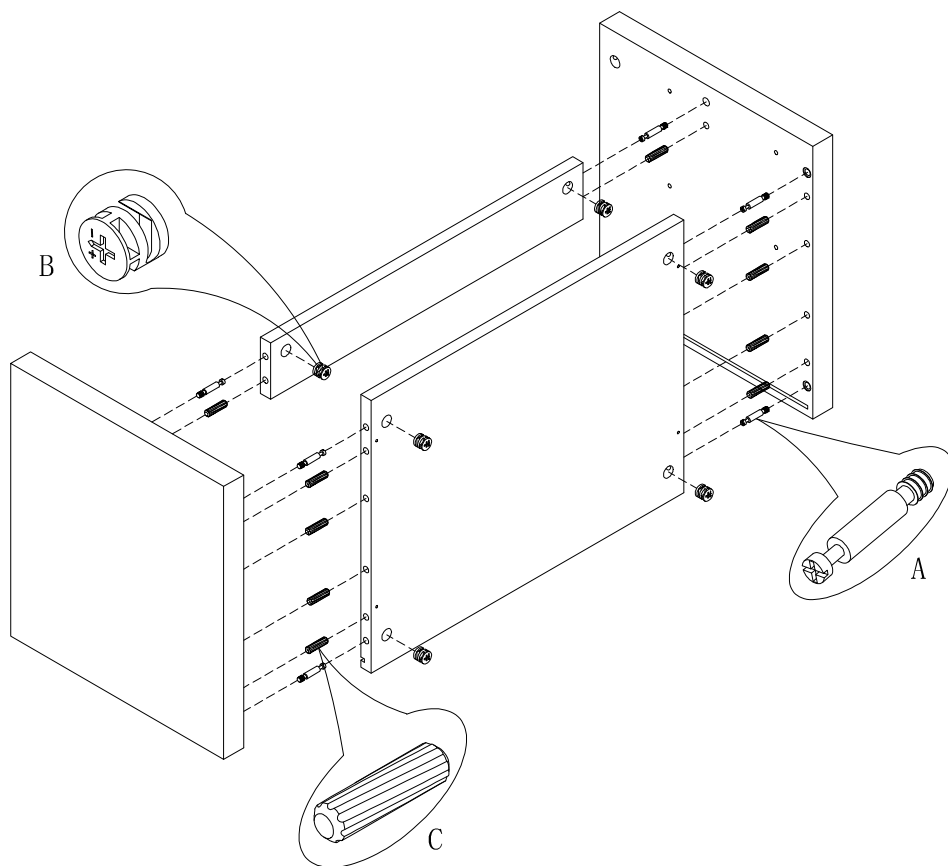
R x8
Spec: M6*35



S x4
Spec:

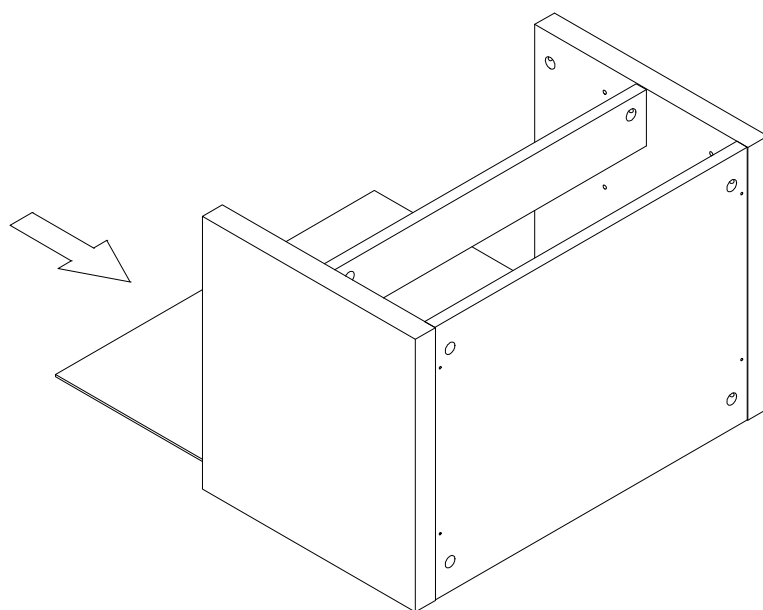


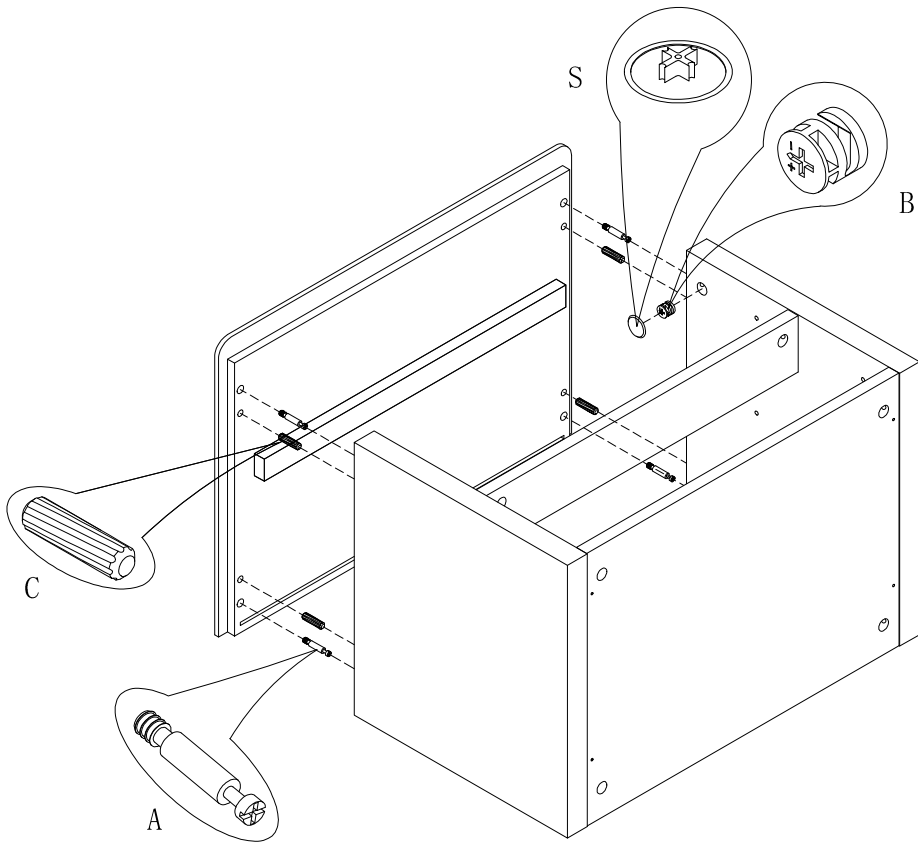
AAA x8
Spec: $\phi 3.8 * L12$



1

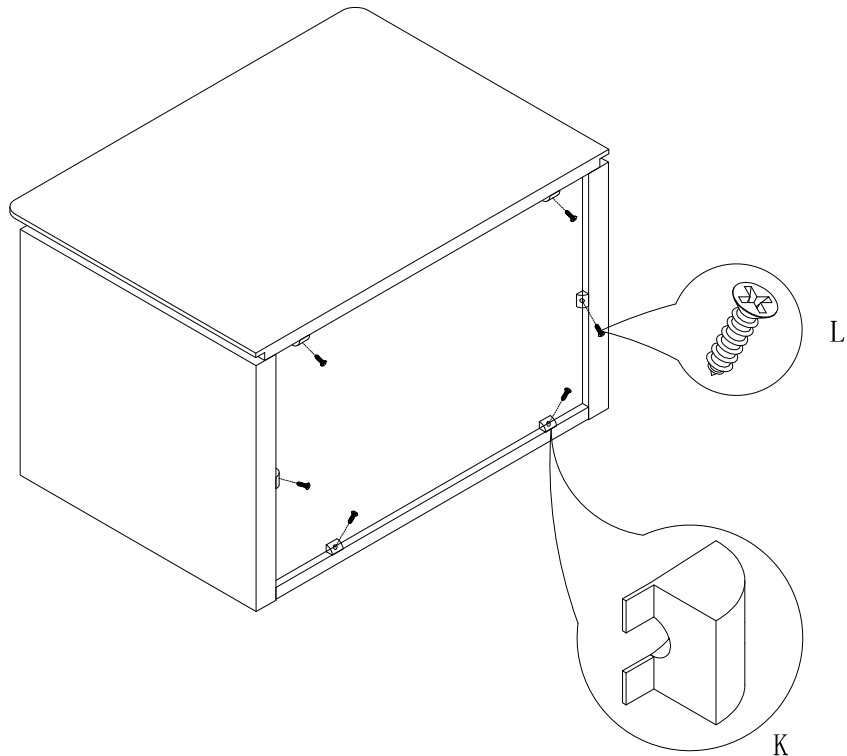
2

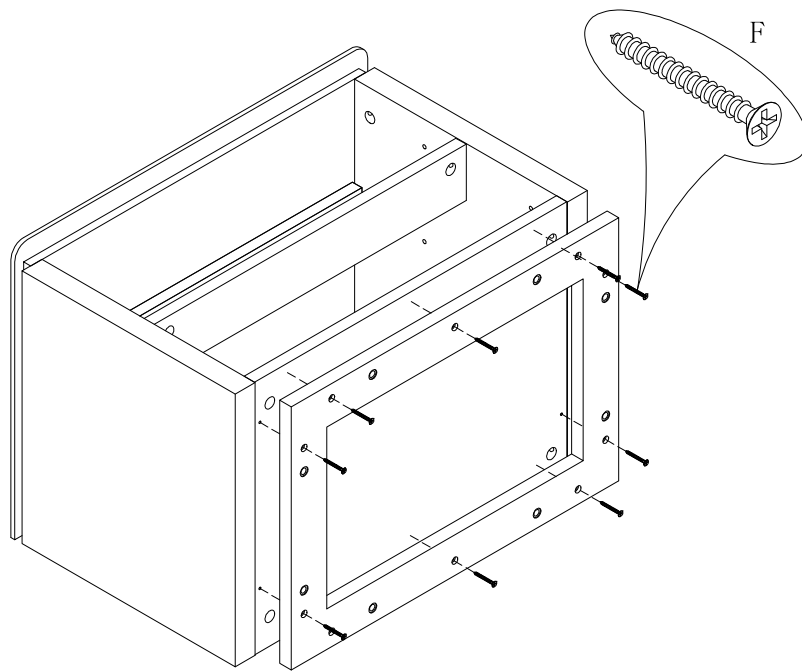




3

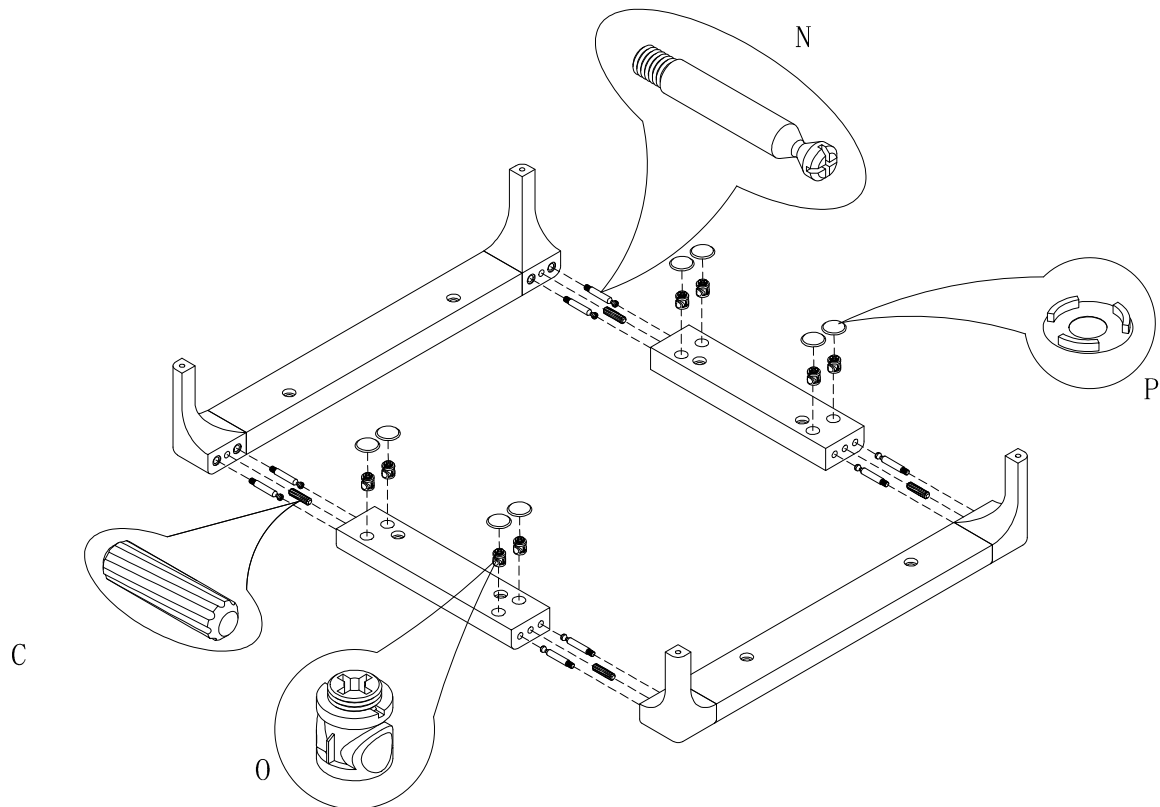
4

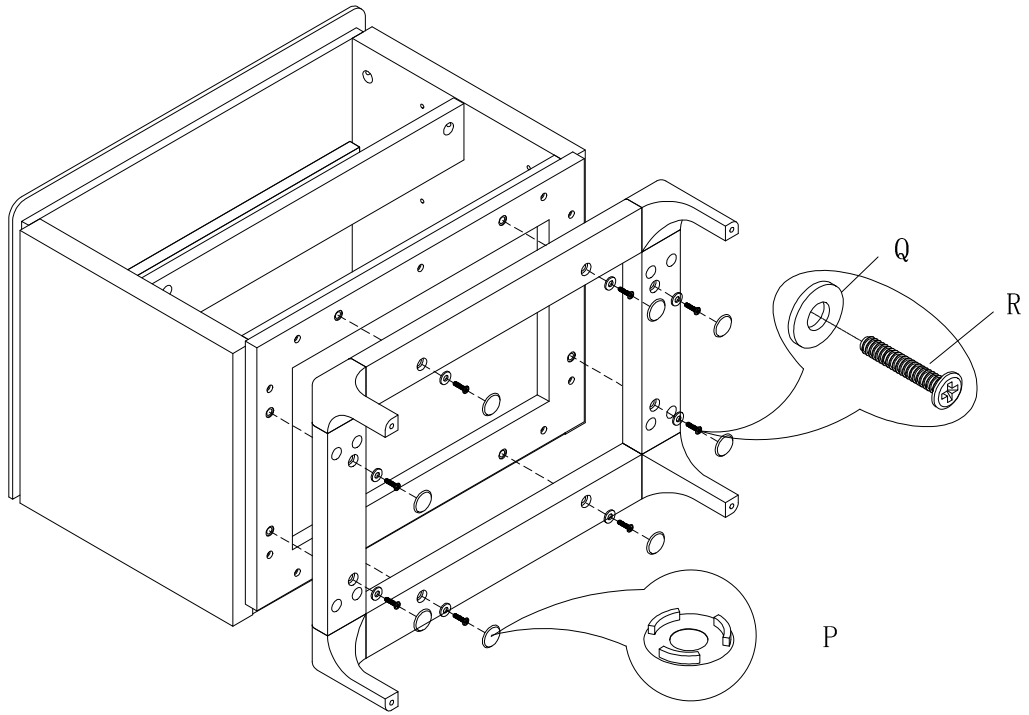




5

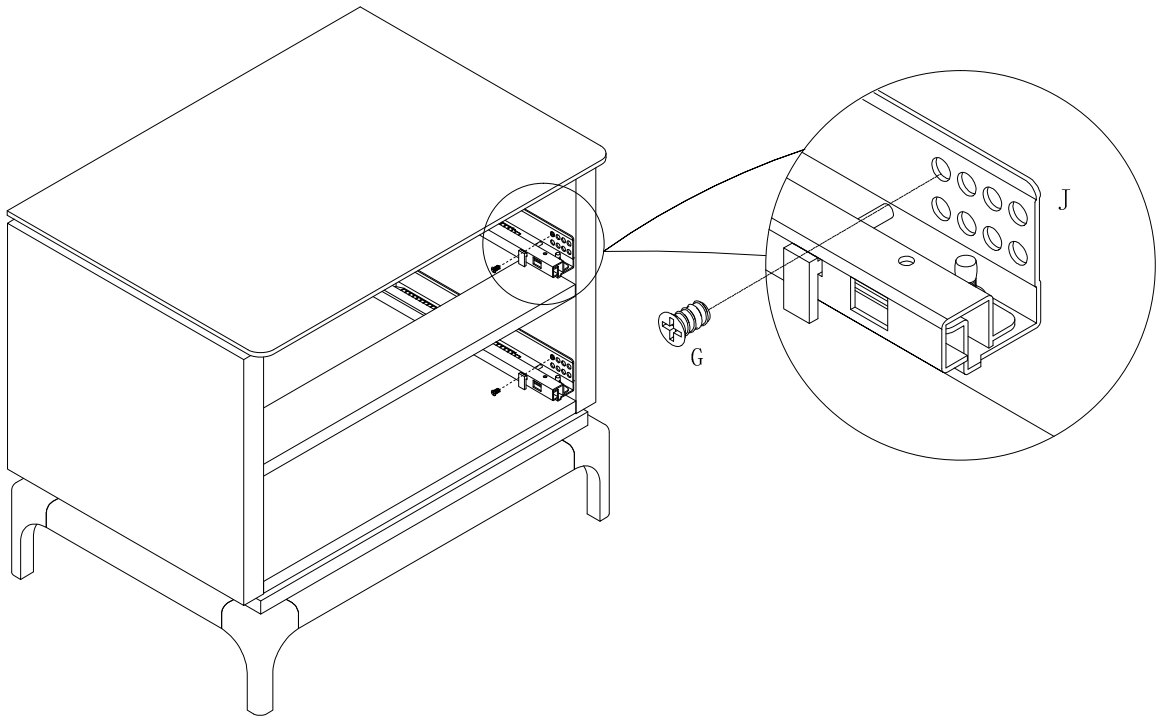
6

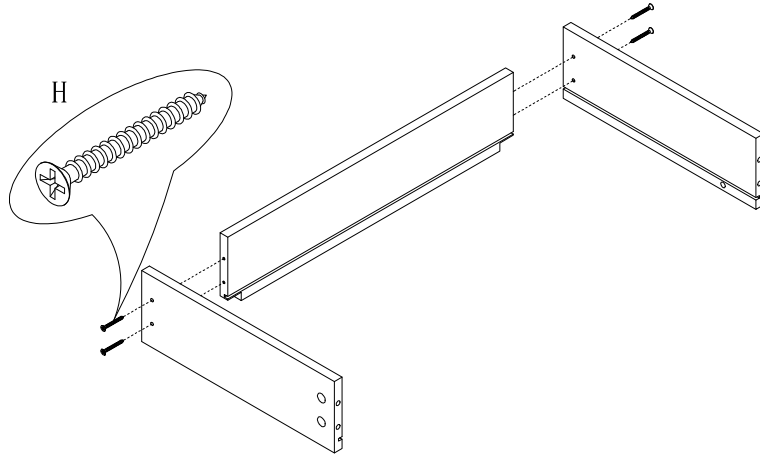




7

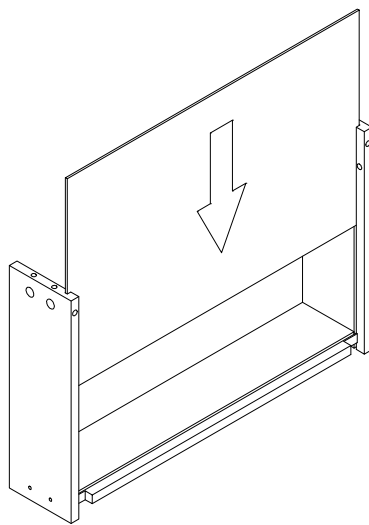
8

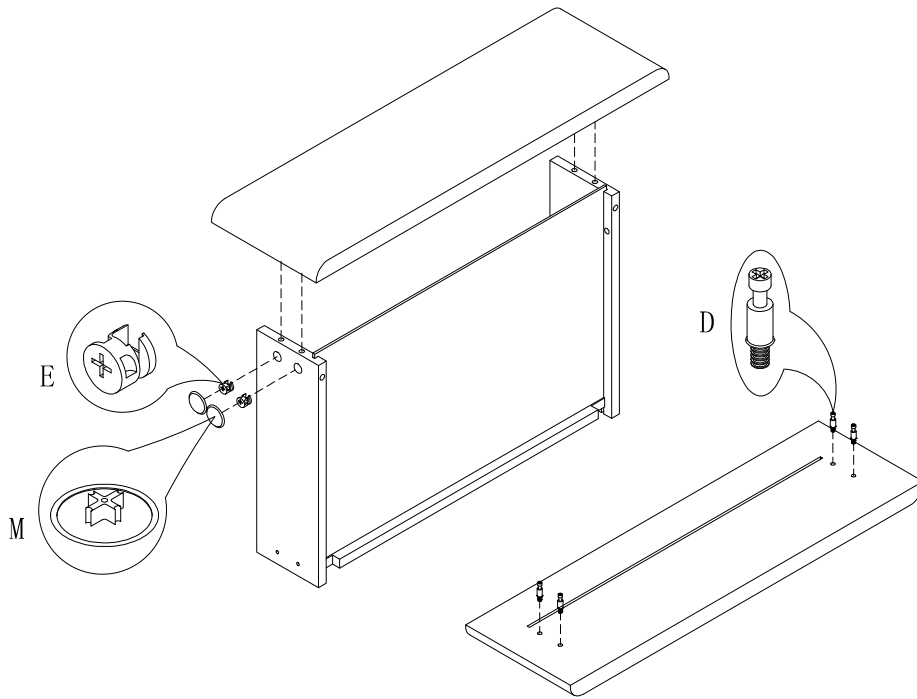




9

10





11

12

