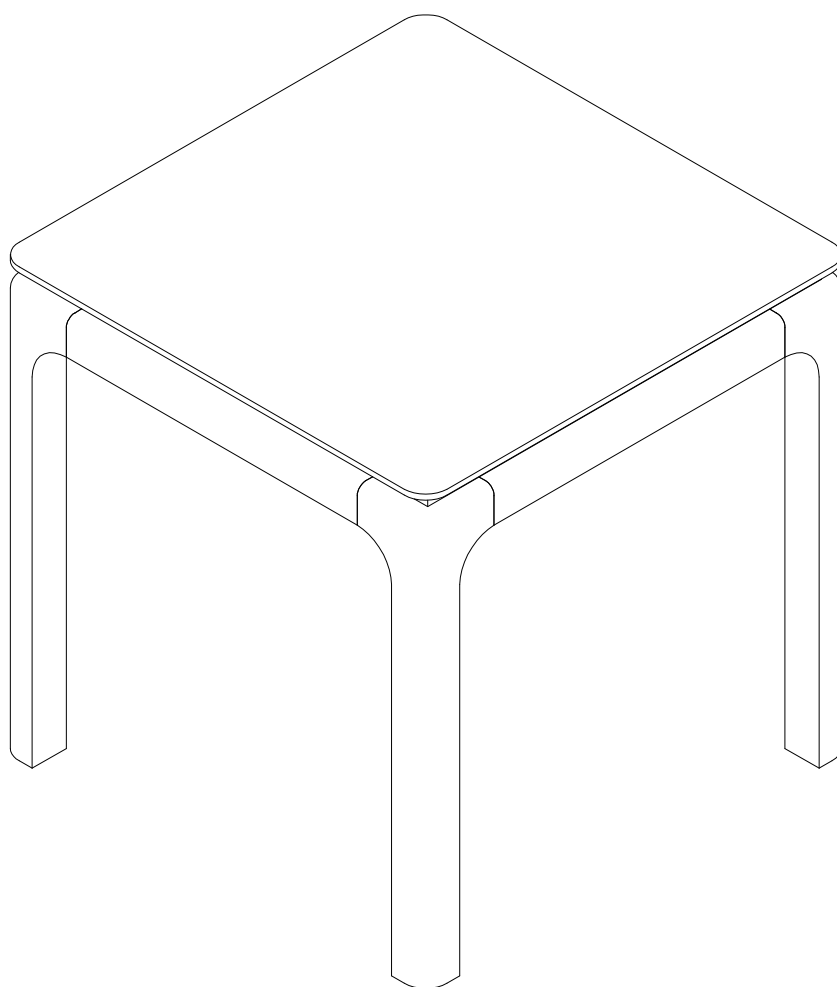


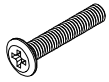
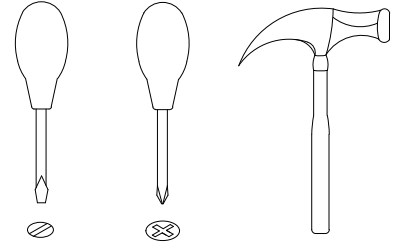
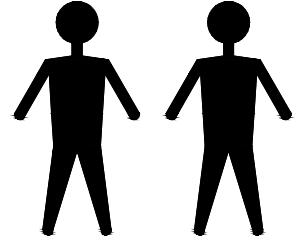
MOD
interiors

CP2303I



EAC

CP2303I



A x8
Spec: M6*L45



B x8
Spec: $\phi 14 * \phi 8$



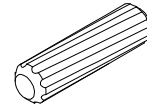
C x4
Spec: M8*L95



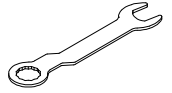
D x4
Spec:



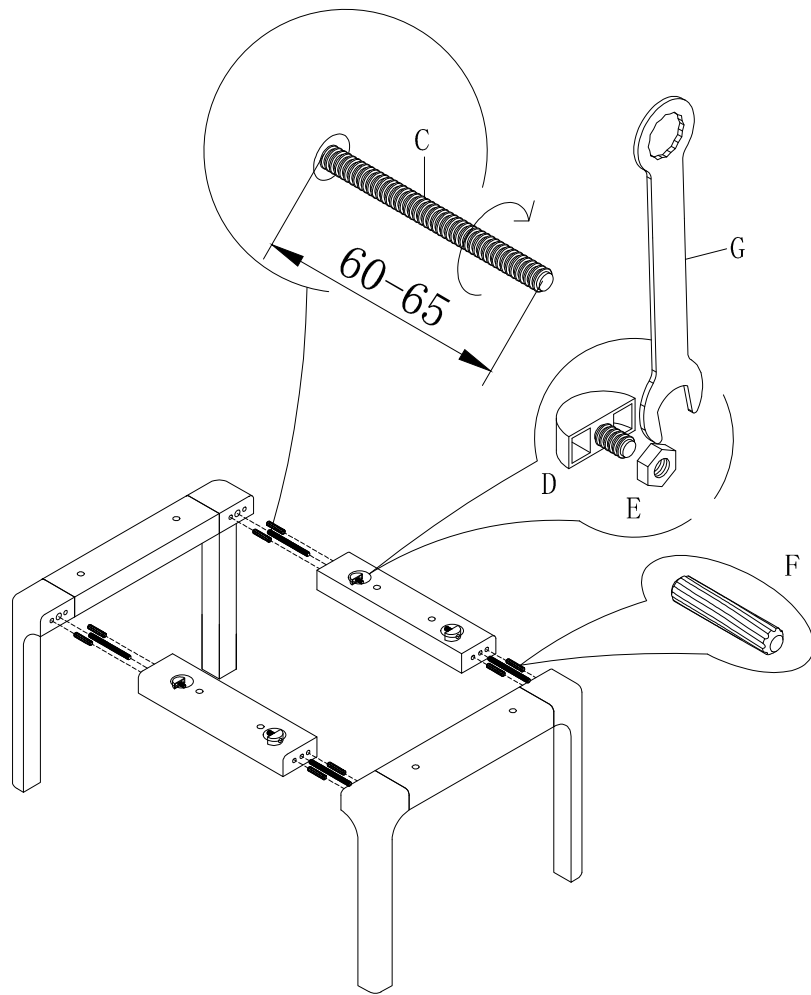
E x4
Spec: M8



F x8
Spec: $\phi 12 * 50$



G x1
Spec: 14#



2

