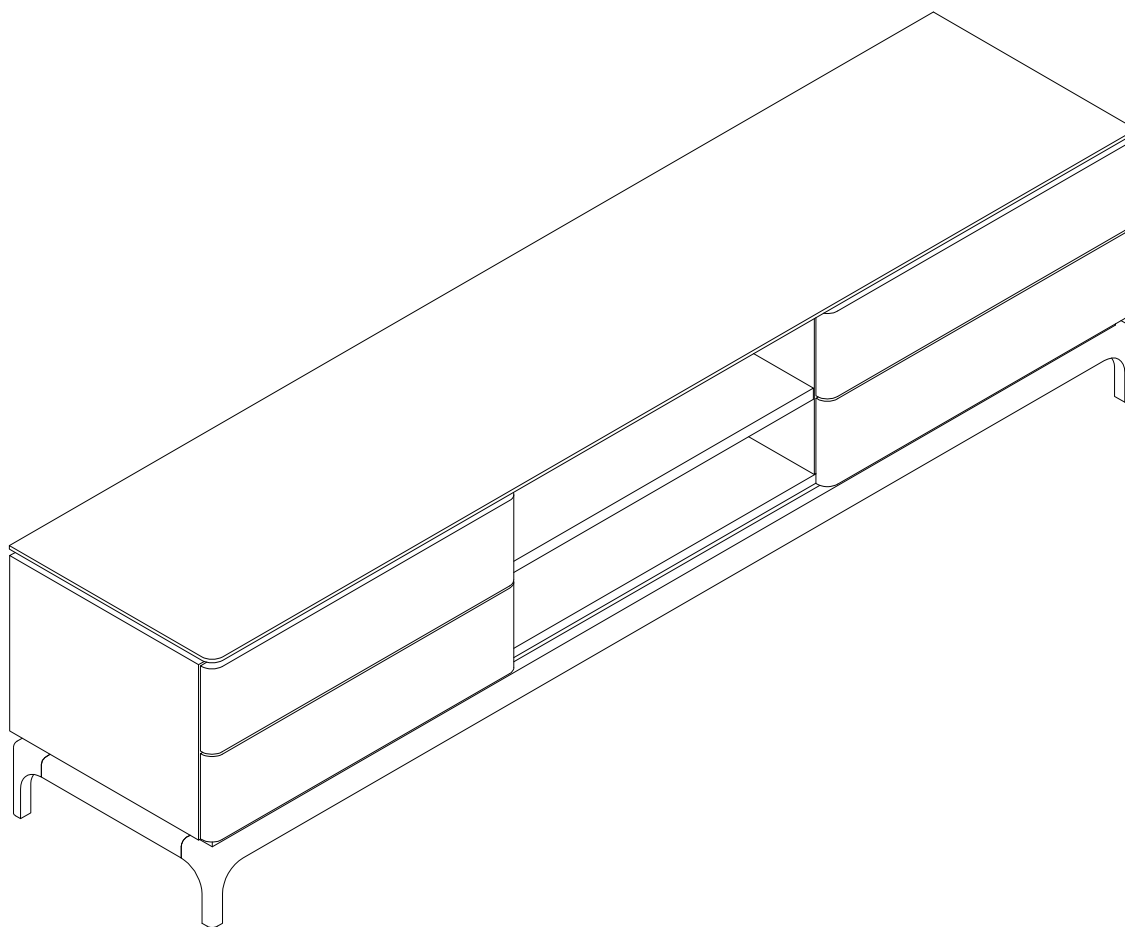


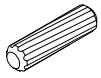
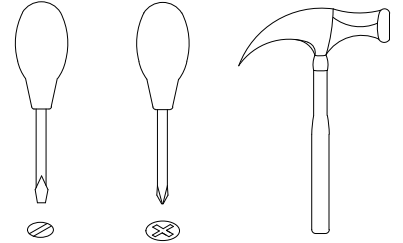
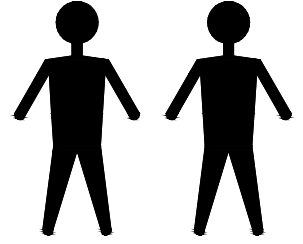
MOD
interiors

CP2303TV3-V/V

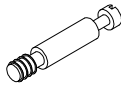


EAC

CP2303TV3



A x26
Spec: $\phi 8 \times 30$



B x16
Spec: $\phi 7 \times L30$



C x16
Spec: $\phi 15 \times H12$



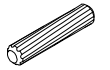
D x24
Spec: $\phi 6 \times L28$



E x24
Spec: $\phi 12 \times H9$



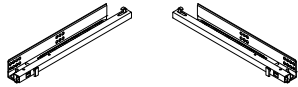
F x16
Spec: $\phi 6 \times L8$



G x16
Spec: $\phi 6 \times 30$



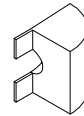
H x8
Spec: $\phi 3.8 \times L20$



I x4
Spec: L300



J x18
Spec: $\phi 3.5 \times L16$



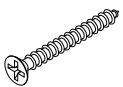
K x18
Spec: H13



L x4
Spec: $\phi 5 \times L19$



M x4
Spec: $\phi 20 \times H12$



O x16
Spec: $\phi 3.5 \times L35$



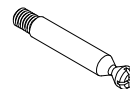
P x24
Spec:



Q x16
Spec:



R x16
Spec: $\phi 4 \times L25$



S x12
Spec: $\phi 7 \times L48$



T x12
Spec: $\phi 15 \times H15$



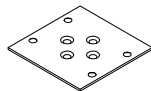
U x28
Spec:



V x16
Spec: $\phi 8 \times \phi 14$



W x16
Spec: M6*35



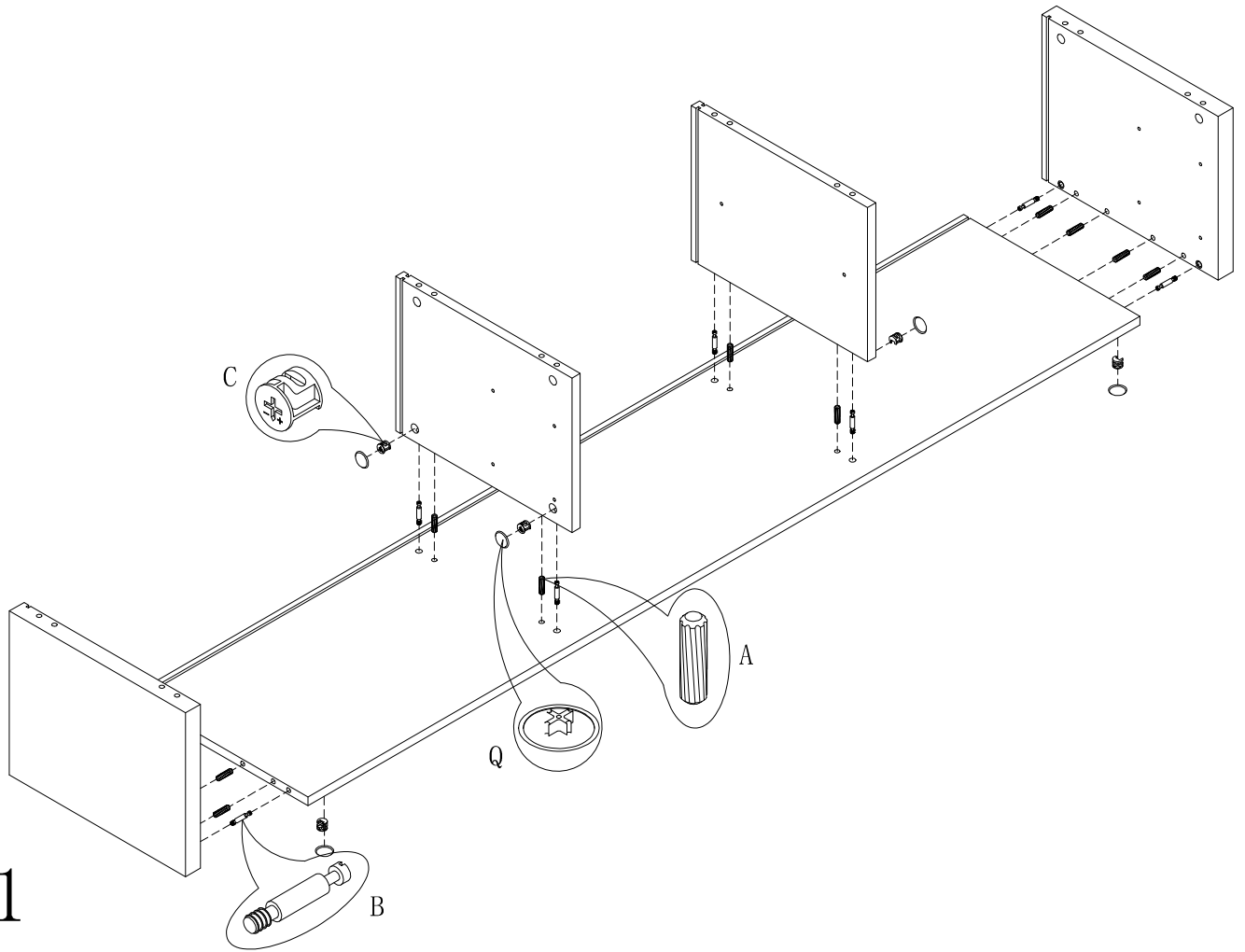
X x2
Spec: $78 \times 78 \times 1.8$



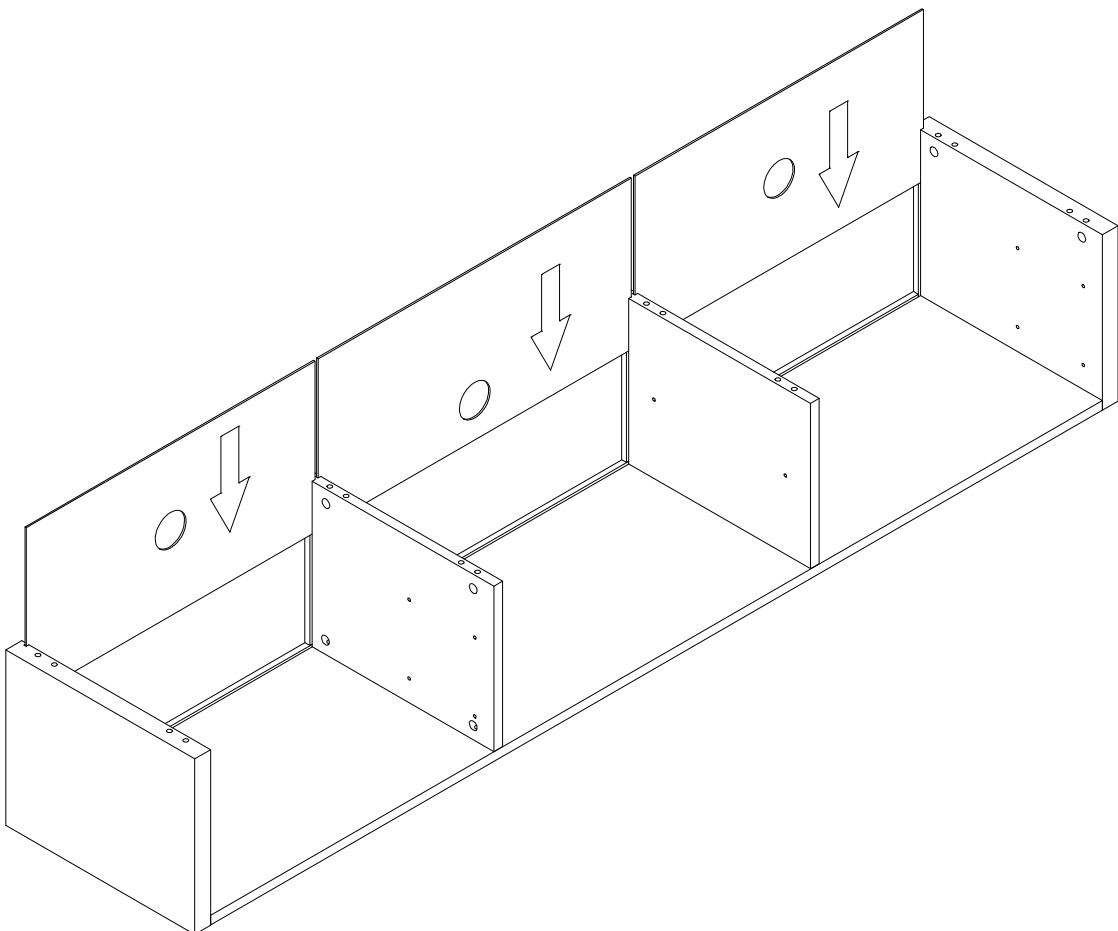
Y x8
Spec: $\phi 4 \times L16$

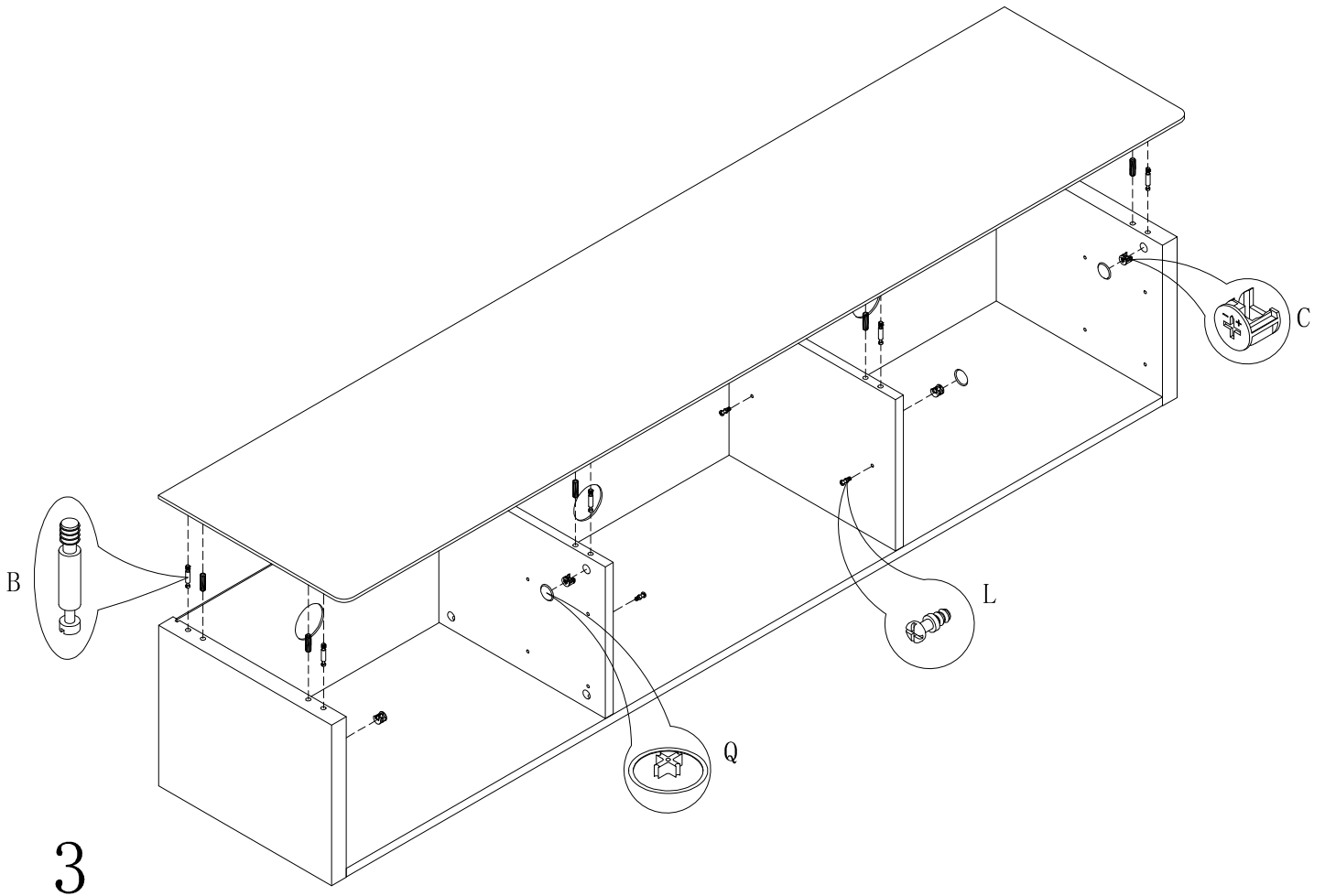


AAA x16
Spec: $\phi 3.8 \times L12$

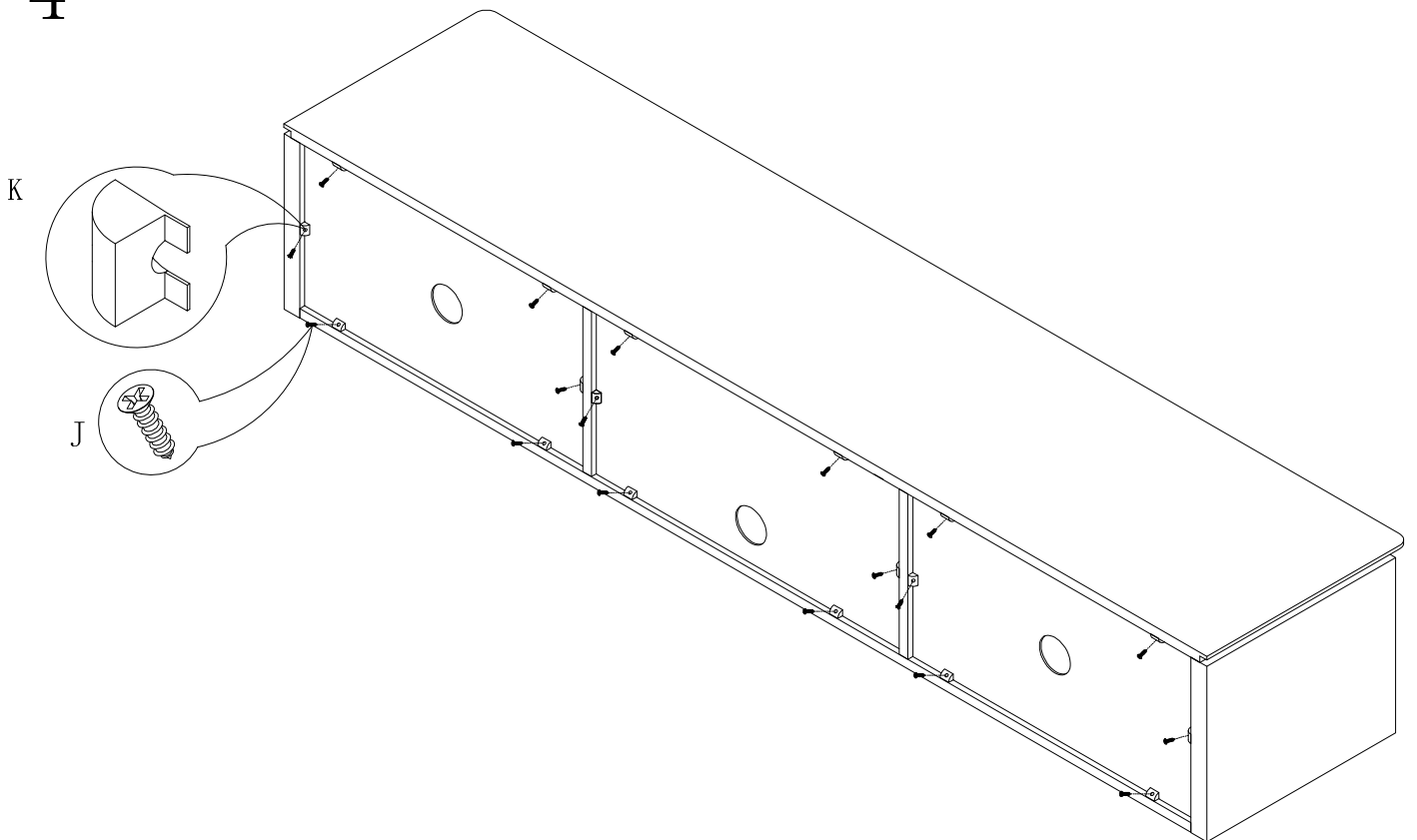


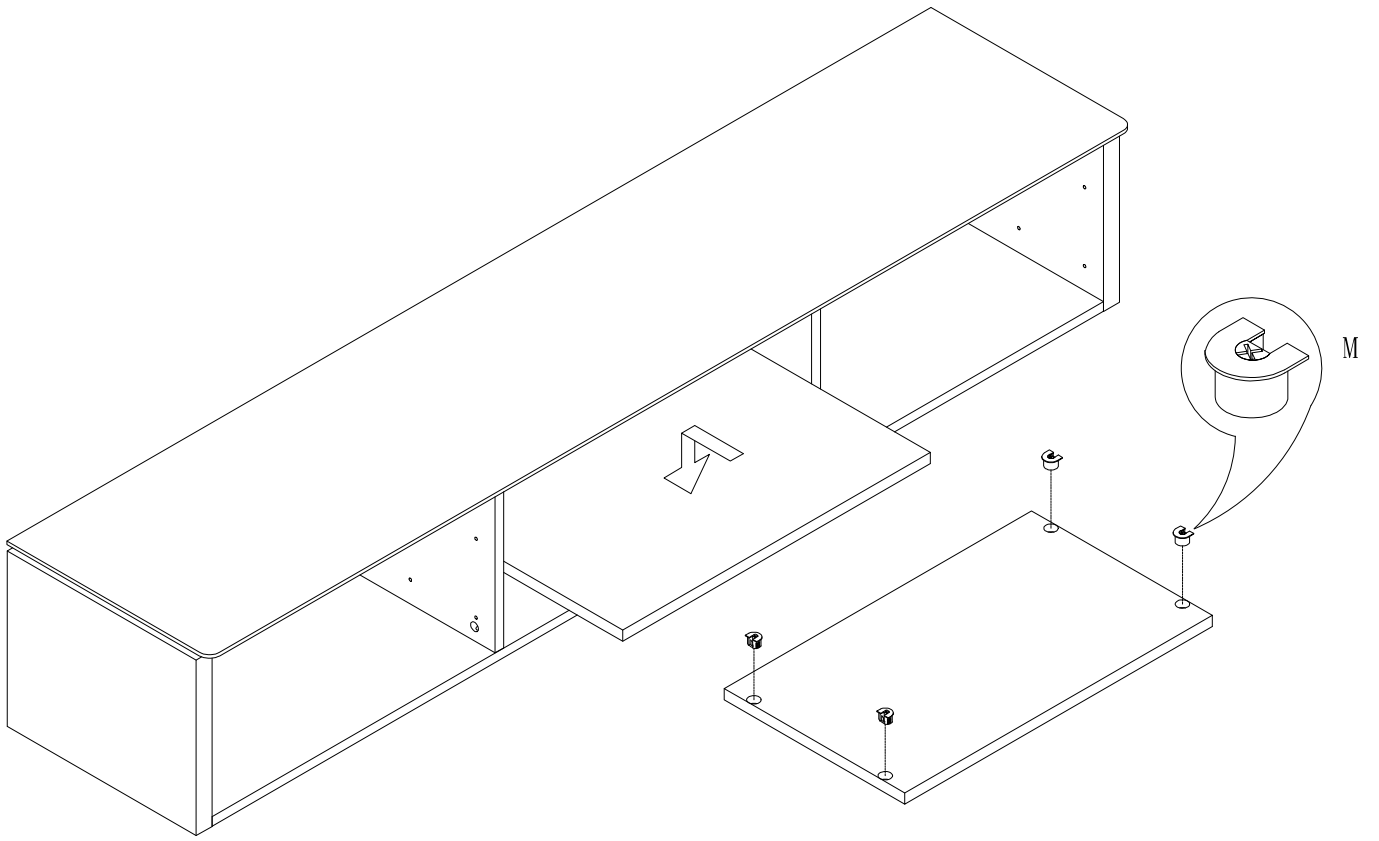
2



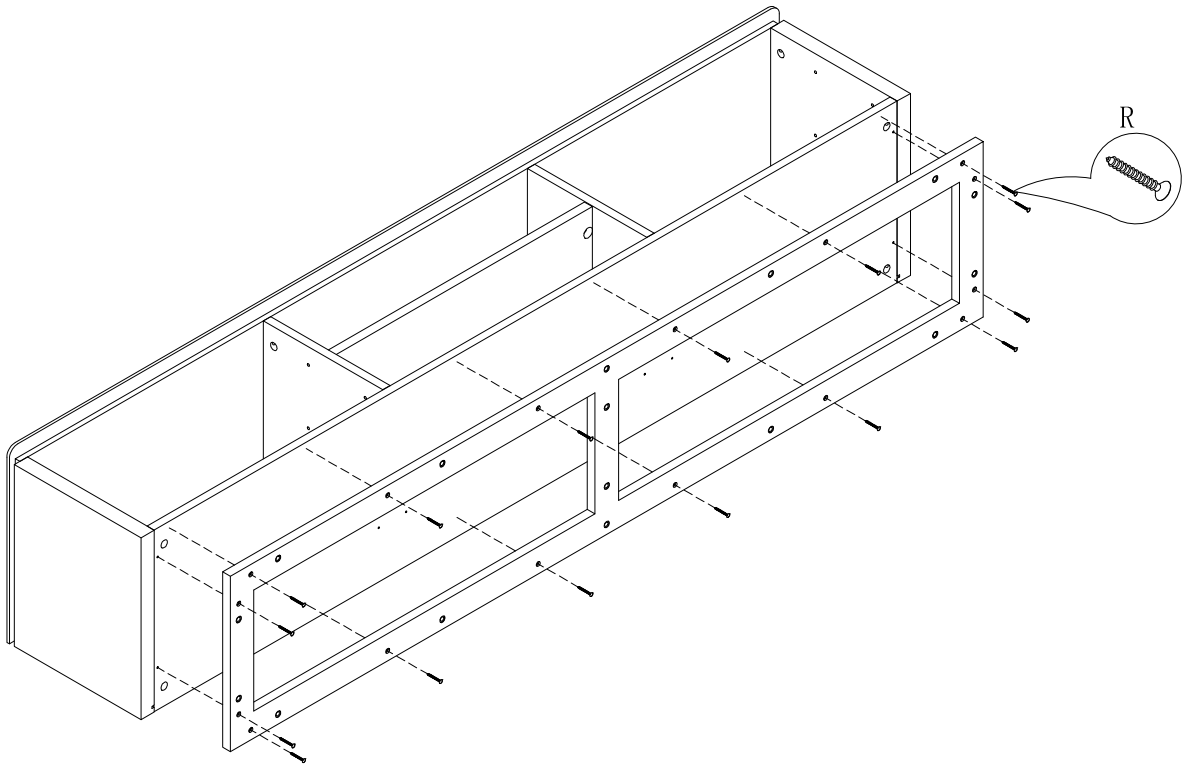


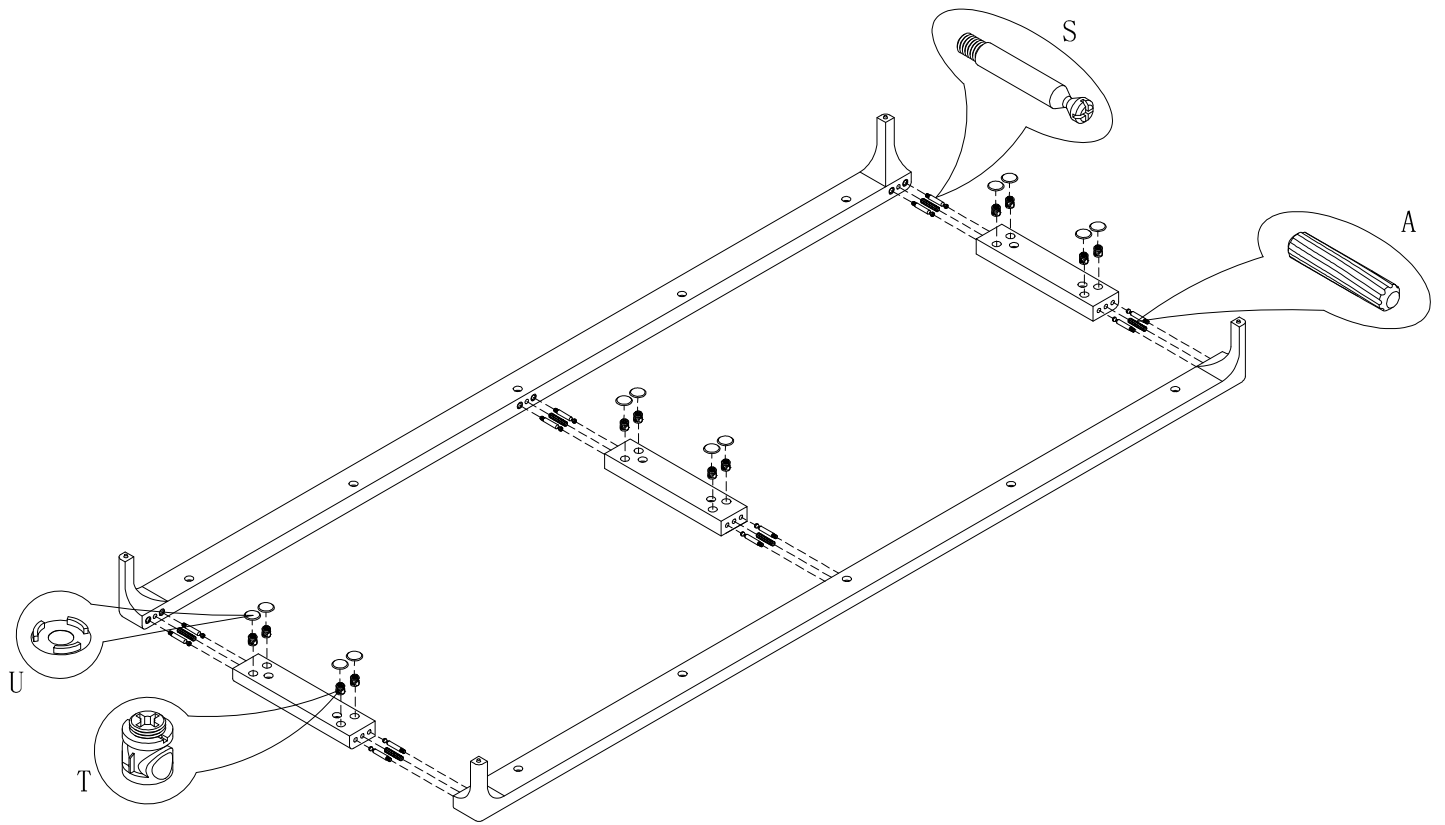
4





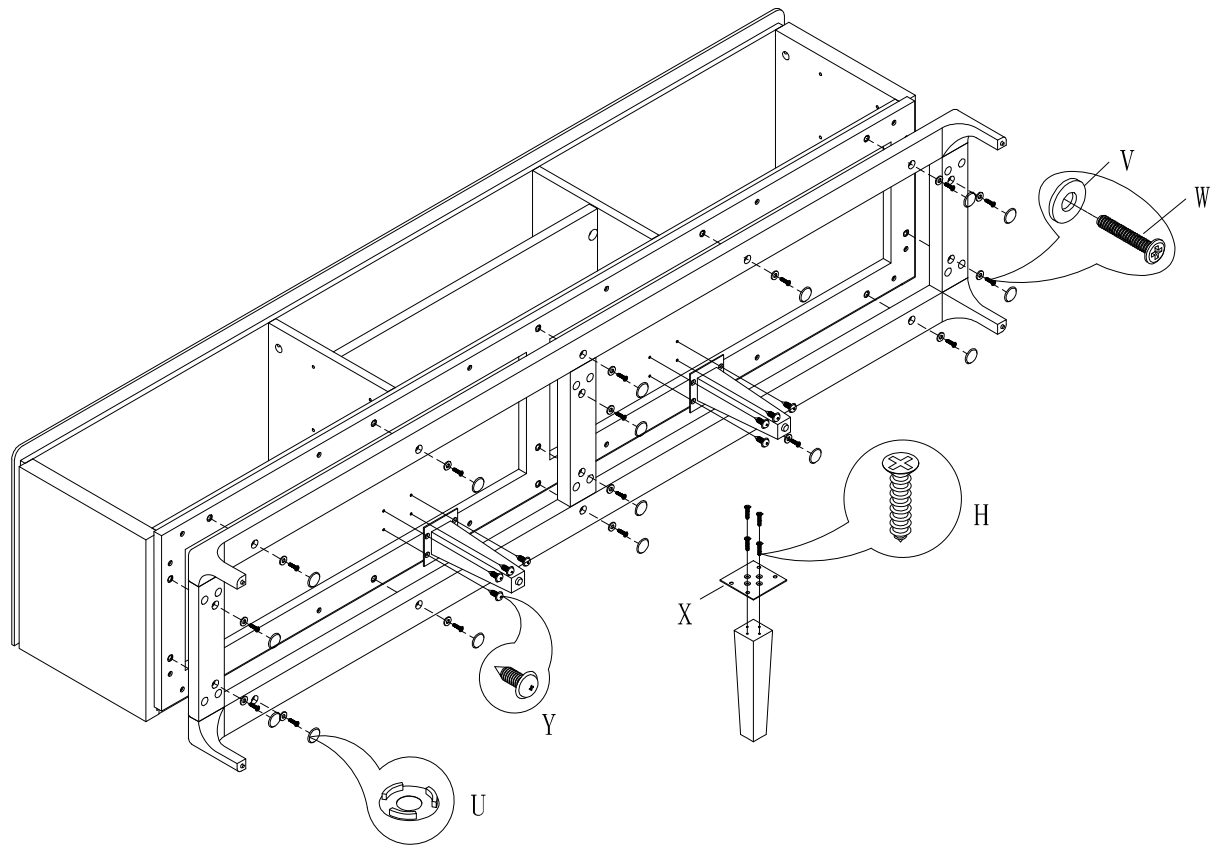
6

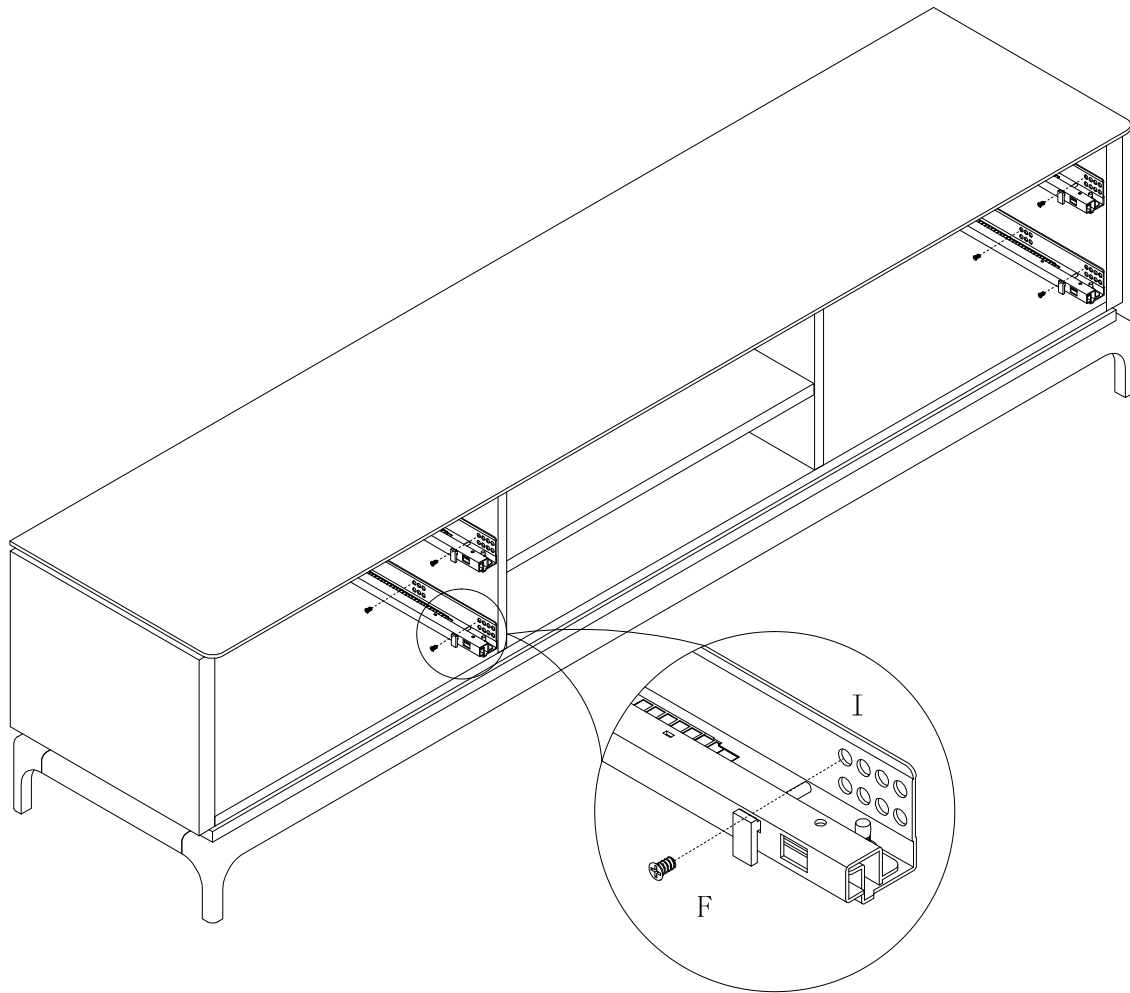




7

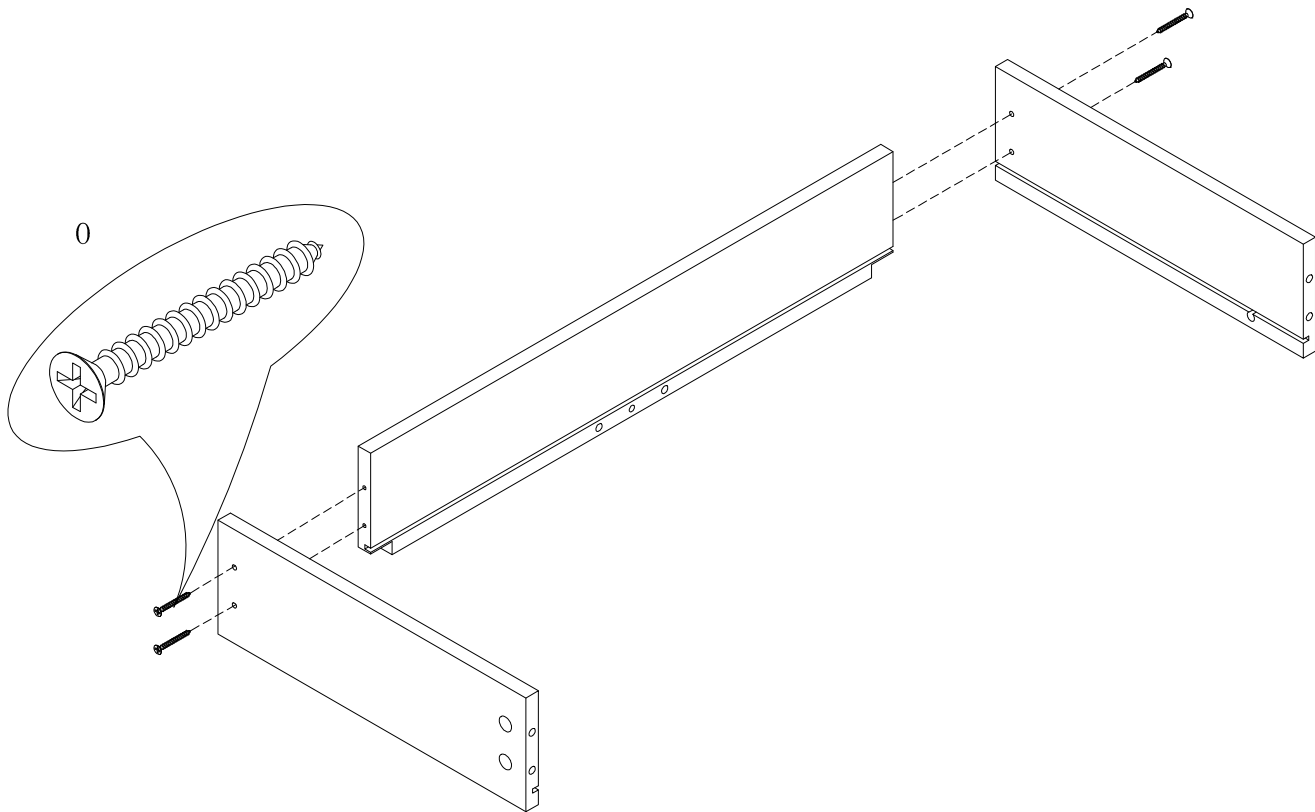
8

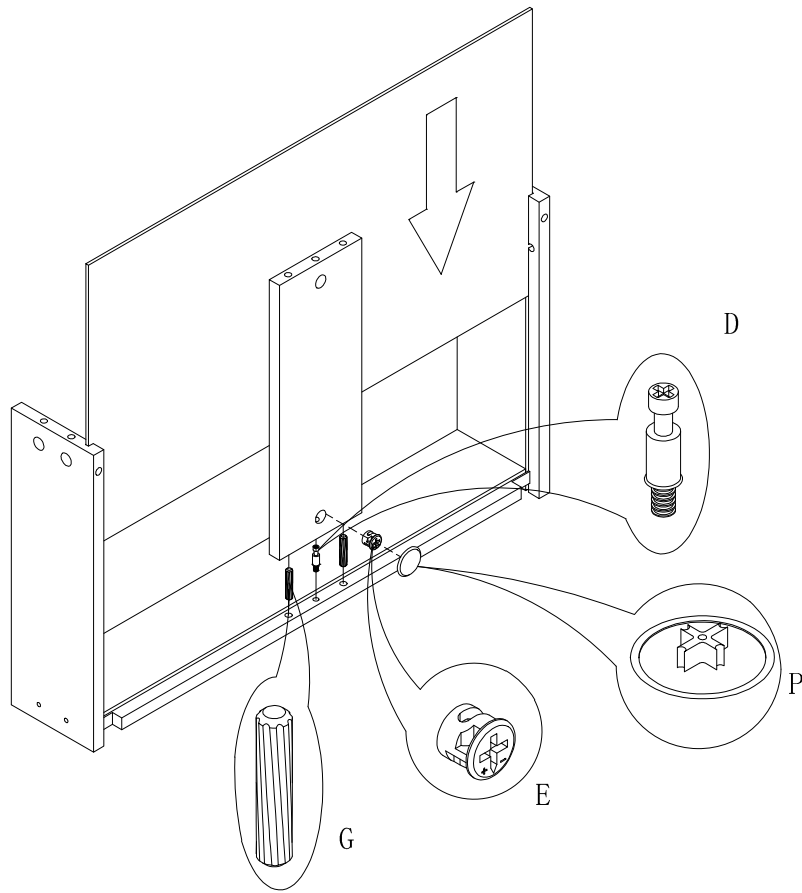




9

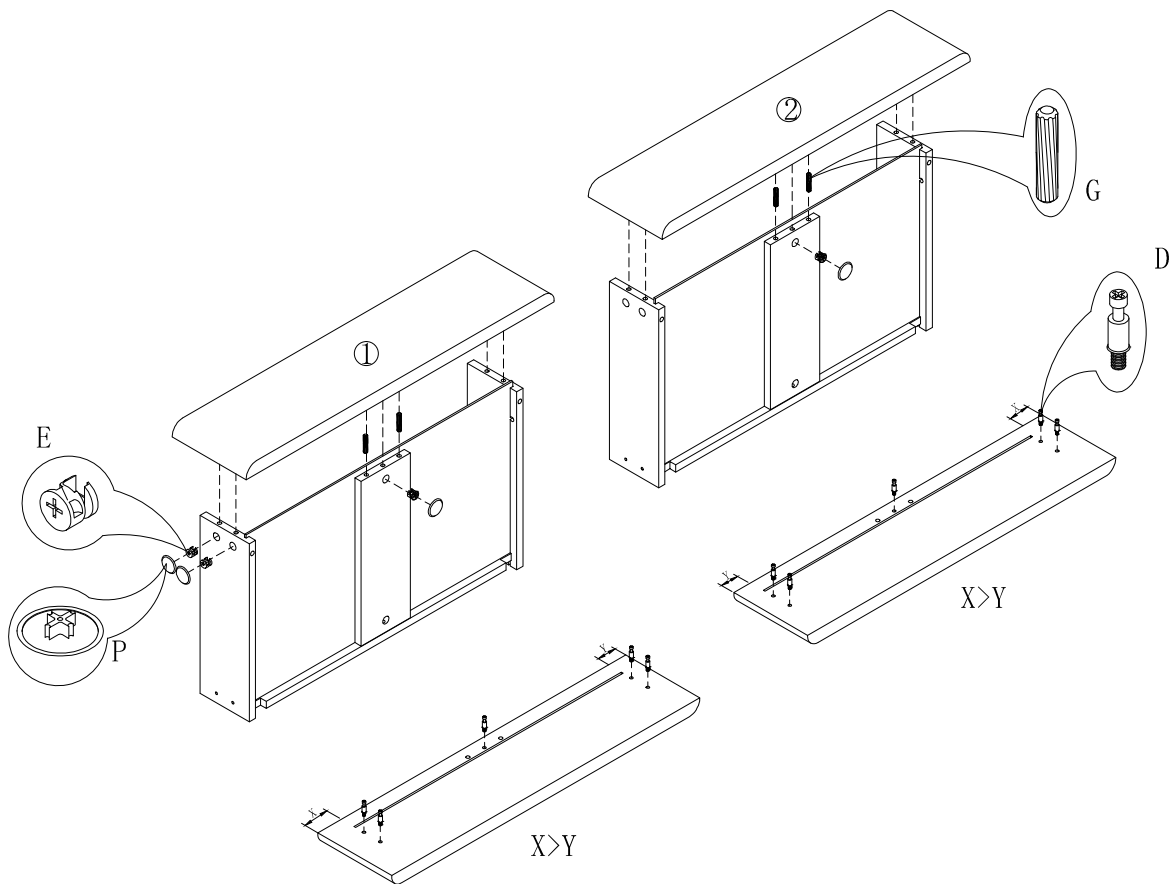
10

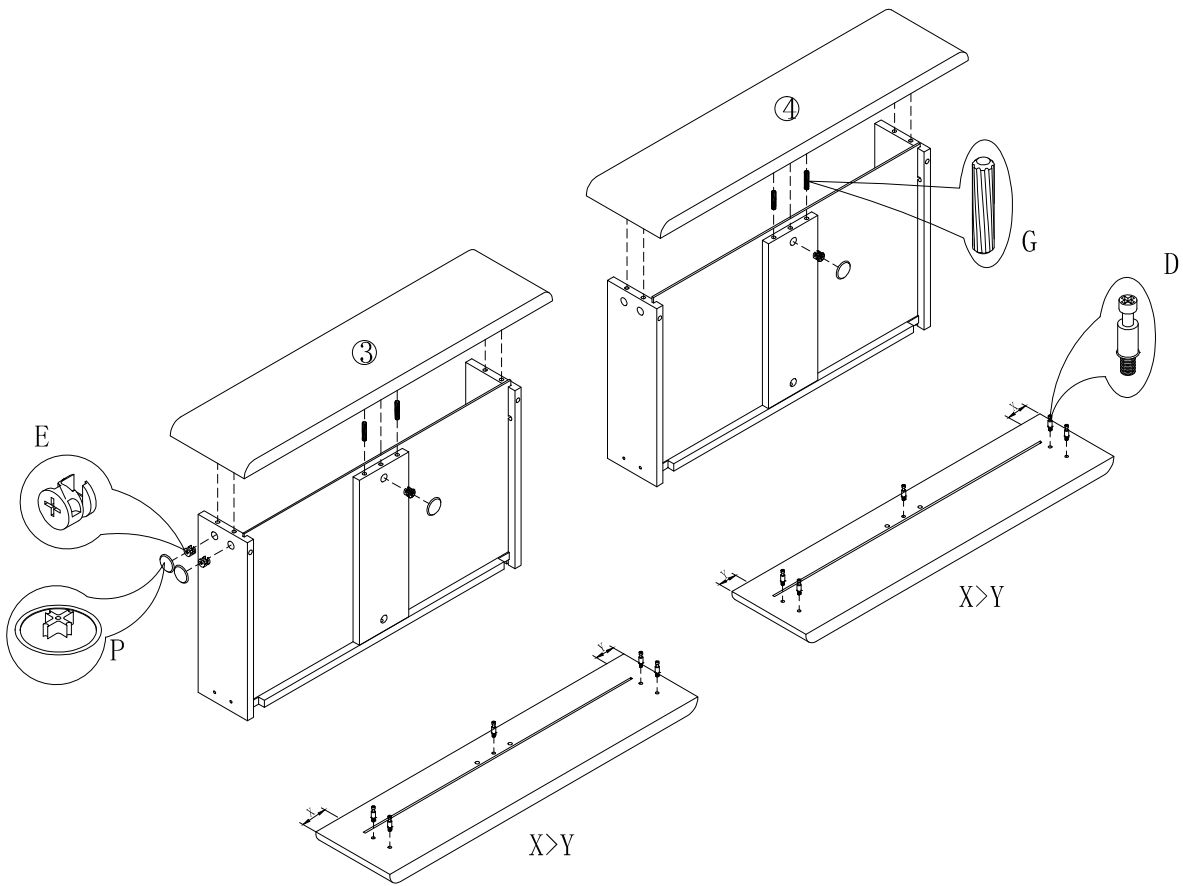




11

12





13

14

