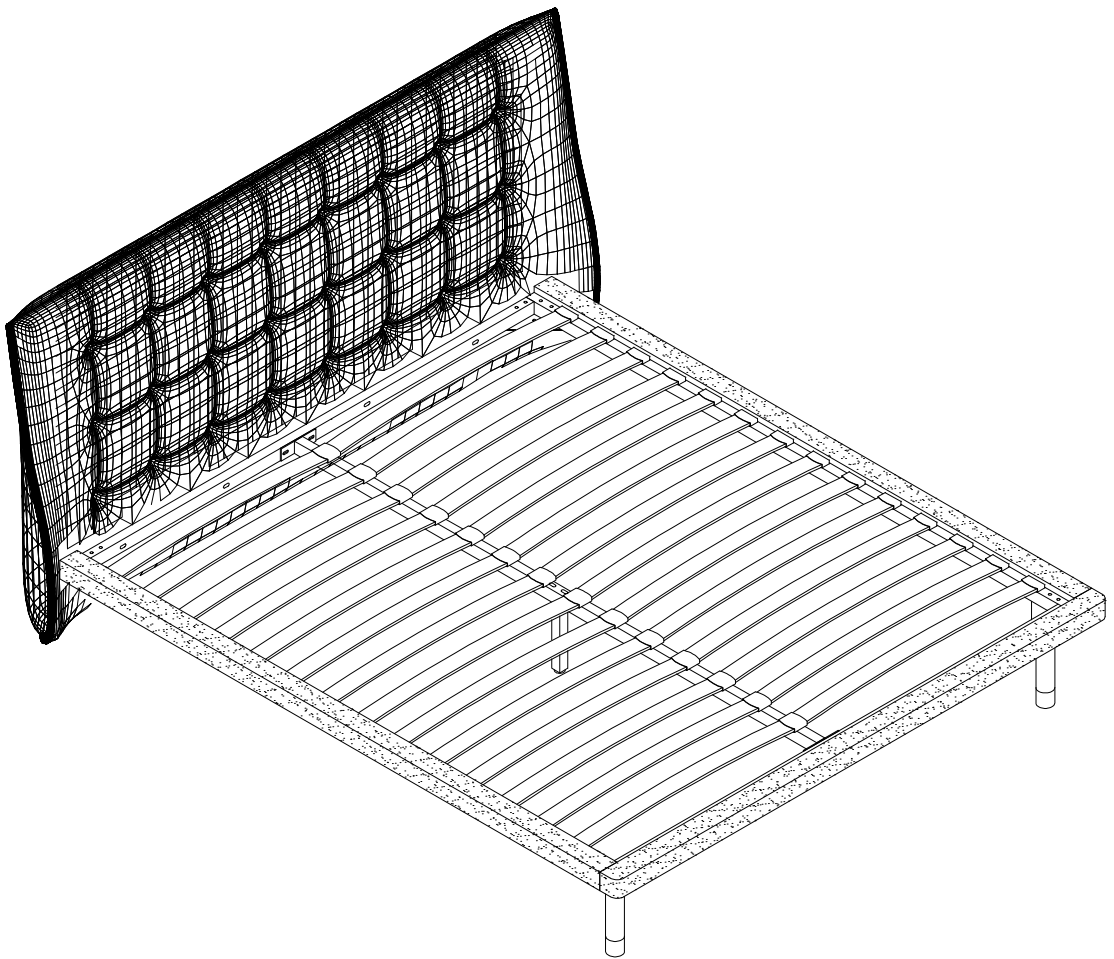


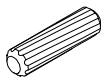
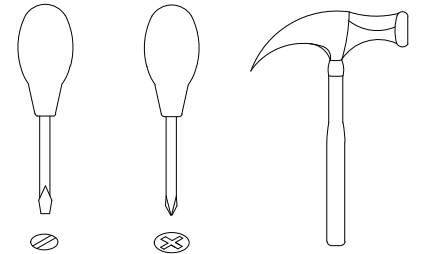
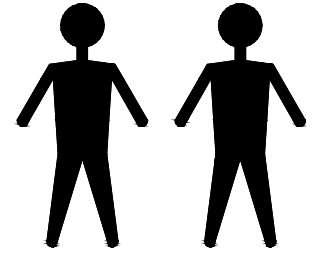
MOD
interiors

CP2308B2



EAC

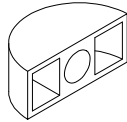
CP2308B2



A x16
Spec: $\phi 10 \times 40$



B x4
Spec: M8*L95



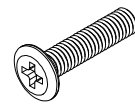
C x4
Spec:



D x4
Spec: M8



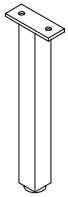
E x4
Spec: $\phi 38$



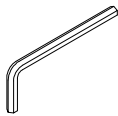
F x16
Spec: M6*45



G x2
Spec: $\phi 50 \times 240$



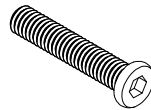
H x1
Spec: L240



I x1
Spec: 5#



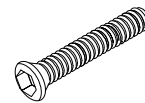
J x1
Spec: 14#



K x2
Spec: 5/16*L60



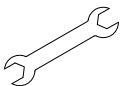
L x20
Spec: $\phi 8 \times \phi 18$



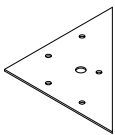
M x24
Spec: M6*L45



N x4
Spec: $\phi 4 \times \phi 10$



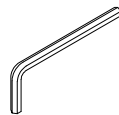
O x1
Spec: 10mm



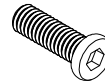
P x4
Spec: 160*160*3



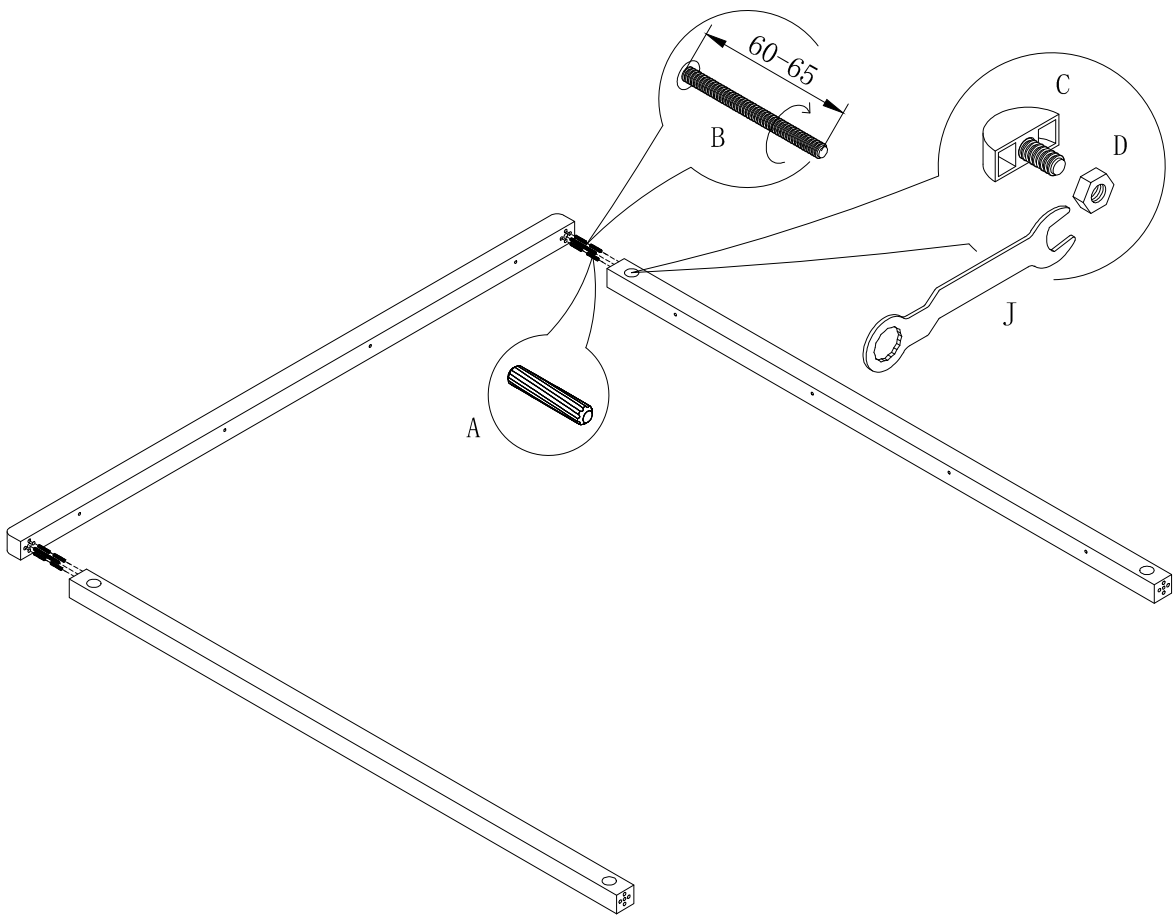
Q x4
Spec: $\phi 6 \times \phi 18$



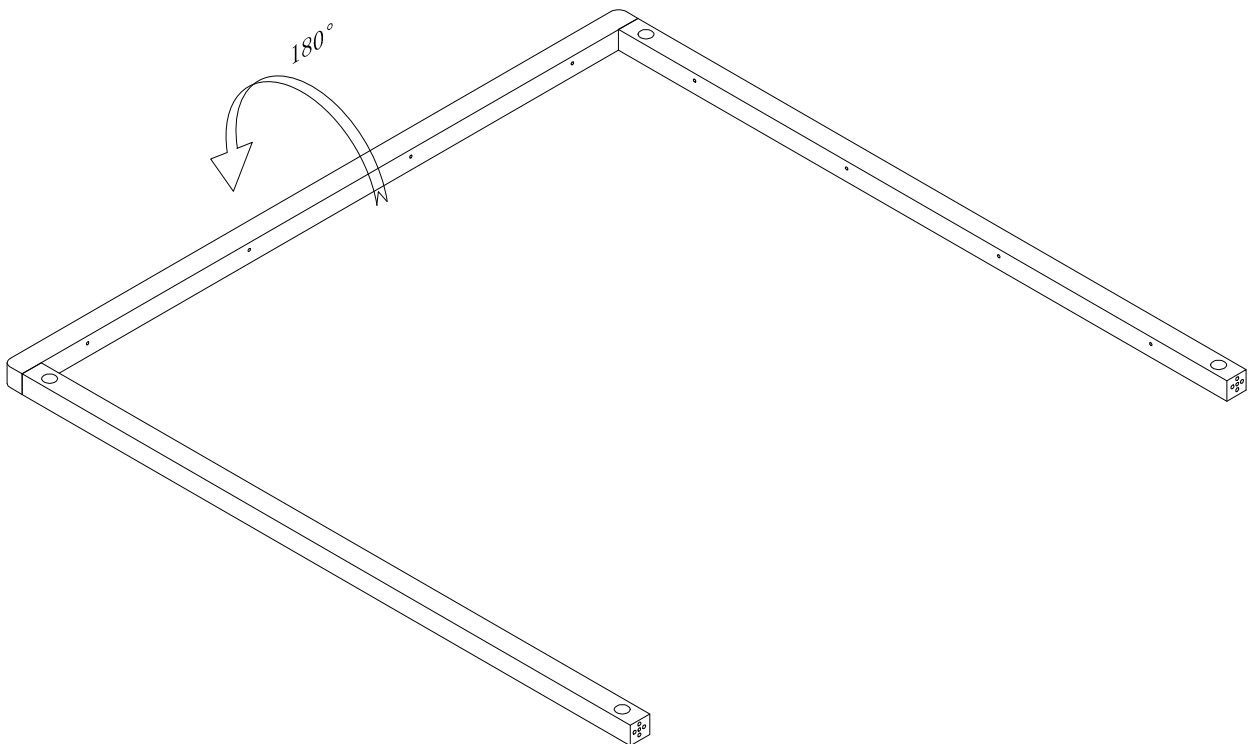
R x1
Spec: 4#

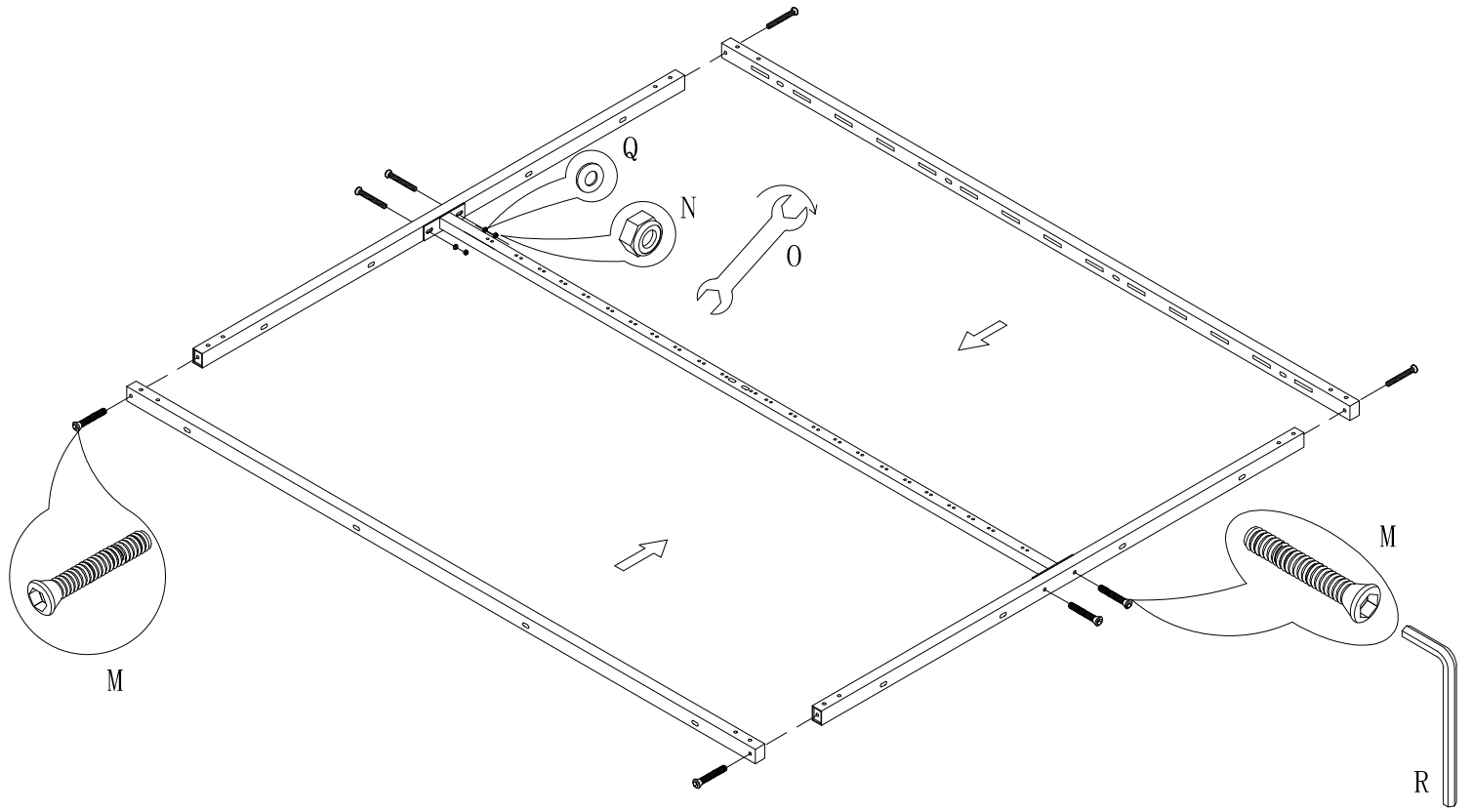


S x2
Spec: M8*L25



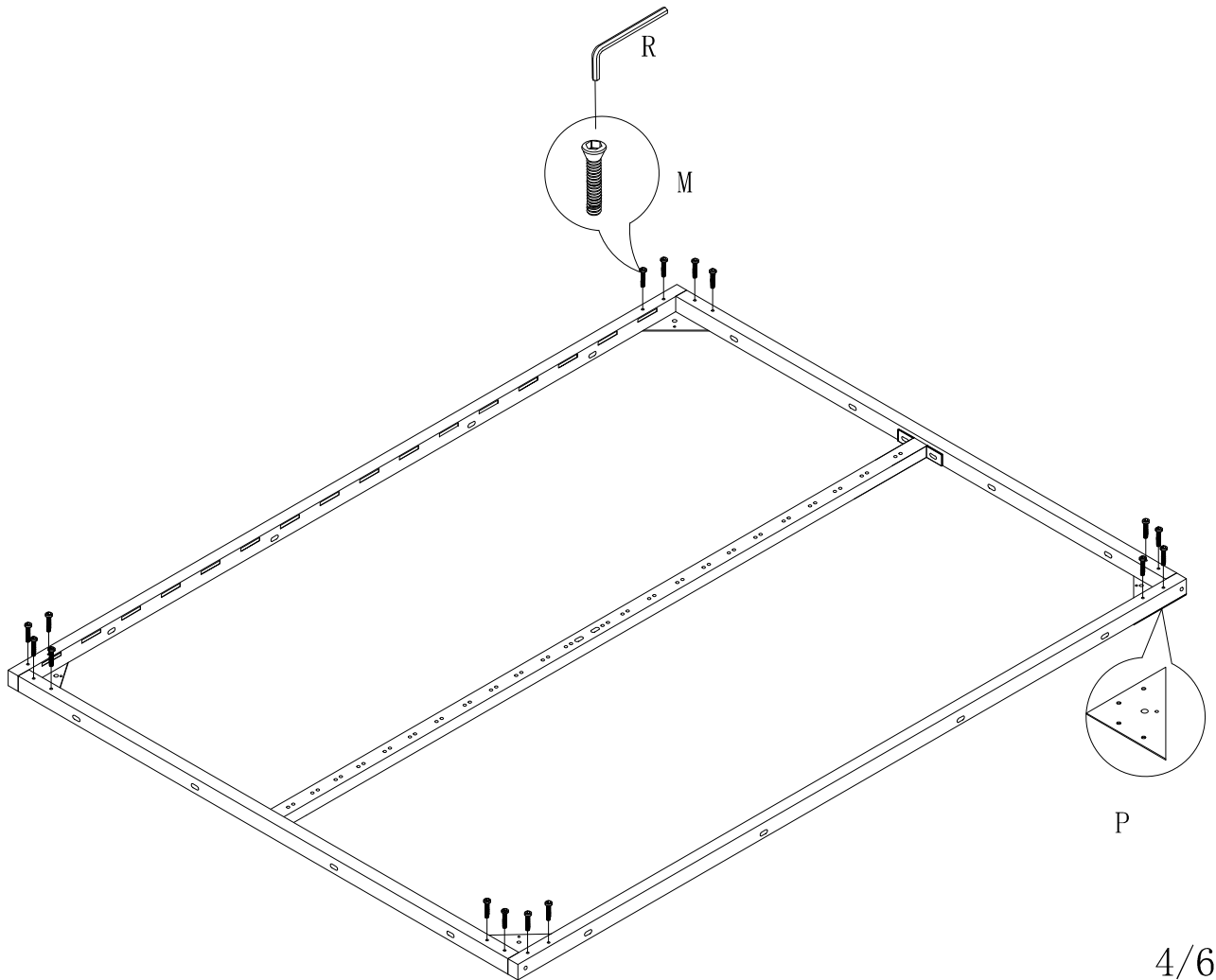
2

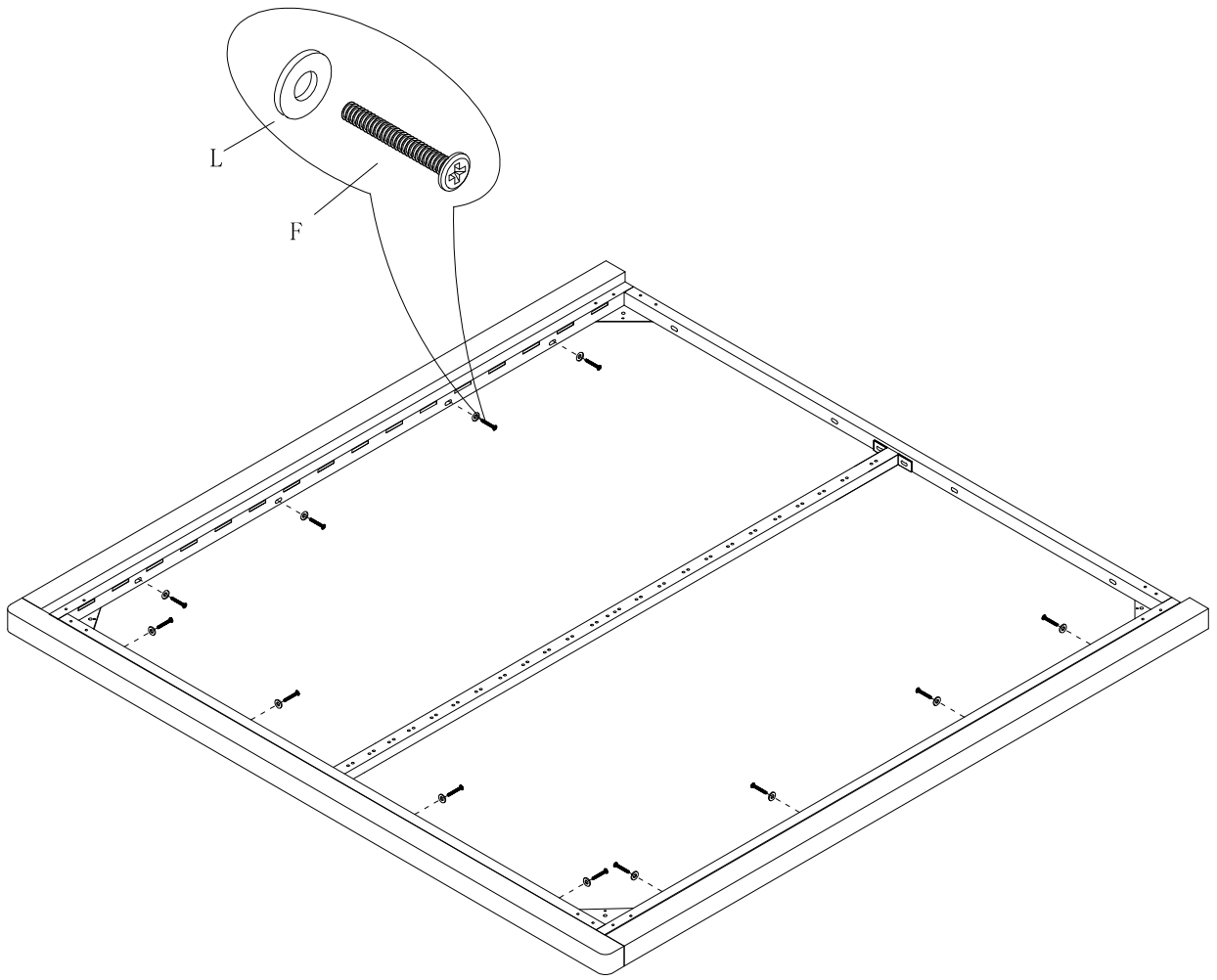




3

4





5

6

